



US00D934526S

(12) **United States Design Patent**  
**Simmendinger et al.**

(10) **Patent No.:** **US D934,526 S**

(45) **Date of Patent:** **\*\* \*Oct. 26, 2021**

- (54) **CONVEYOR BELT SLAT**
- (71) Applicant: **HABASIT AG**, Reinach BL (CH)
- (72) Inventors: **Stefan Simmendinger**, Wahlen (CH);  
**Dietmar Elsner**, Lörrach (DE)
- (\*) Notice: This patent is subject to a terminal disclaimer.
- (\*\*) Term: **15 Years**
- (21) Appl. No.: **29/727,658**
- (22) Filed: **Mar. 12, 2020**
- (51) **LOC (13) Cl.** ..... **12-05**
- (52) **U.S. Cl.**  
USPC ..... **D34/29**
- (58) **Field of Classification Search**  
USPC ..... D34/29, 35  
CPC .. B65G 17/08; B65G 17/086; B65G 2207/12;  
B65G 2201/02  
See application file for complete search history.

- 5,706,934 A \* 1/1998 Palmaer ..... B65G 17/08  
198/840
- 5,996,776 A \* 12/1999 van Zijderveld ..... B65G 17/08  
198/850
- D427,898 S \* 7/2000 Loh ..... 198/838
- 6,648,129 B2 \* 11/2003 Sedlacek ..... B65G 17/06  
198/850
- D502,585 S \* 3/2005 Damkjaer ..... D34/29
- D503,841 S \* 4/2005 Damkjaer ..... D34/29
- 7,134,545 B1 \* 11/2006 Smith ..... B65G 17/08  
198/834
- 7,360,644 B1 \* 4/2008 Lucchi ..... B65G 17/08  
198/850
- D638,603 S \* 5/2011 Jansen ..... D34/29
- D655,882 S \* 3/2012 Franzaroli ..... D34/29
- 9,085,414 B2 \* 7/2015 Sharma ..... B65G 17/086
- D804,137 S \* 11/2017 Fye ..... B65G 17/08  
D34/29
- 2002/0179418 A1 \* 12/2002 Guldenfels ..... B65G 17/086  
198/853
- 2003/0168321 A1 \* 9/2003 Kato ..... B65G 47/53  
198/851
- 2006/0075937 A1 \* 4/2006 McDonald ..... B65D 19/38  
108/51.11

(Continued)

*Primary Examiner* — Cynthia Ramirez

(56) **References Cited**

**U.S. PATENT DOCUMENTS**

- 3,269,526 A \* 8/1966 Imse ..... F16G 13/12  
198/853
- D291,777 S \* 9/1987 Lapeyre ..... D34/29
- 5,020,656 A \* 6/1991 Faulkner ..... B65G 17/08  
198/494
- 5,020,659 A \* 6/1991 Hodlewsky ..... B65G 17/08  
198/853
- 5,096,053 A \* 3/1992 Hodlewsky ..... B65G 17/08  
198/853
- 5,174,438 A \* 12/1992 Witham ..... B65G 17/08  
198/851
- 5,339,946 A \* 8/1994 Faulkner ..... B65G 17/08  
198/494
- 5,573,106 A \* 11/1996 Stebnicki ..... B65G 17/08  
198/853

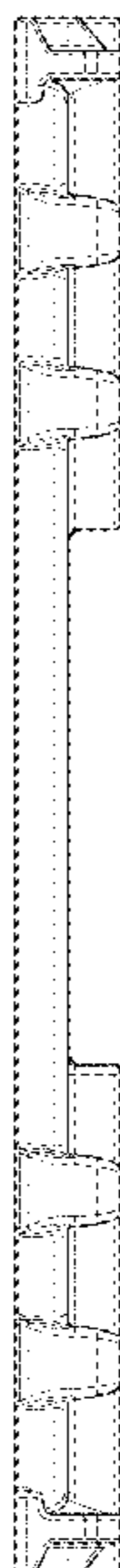
(57) **CLAIM**

The ornamental design for a conveyor belt slat, as shown and described.

**DESCRIPTION**

FIG. 1 is a front view of a conveyor belt slat showing our new design;  
 FIG. 2 is a top view thereof;  
 FIG. 3 is a bottom view thereof;  
 FIG. 4 is a side view thereof;  
 FIG. 5 is an opposite side view thereof;  
 FIG. 6 is an upper perspective view thereof; and,  
 FIG. 7 is a lower perspective view thereof.

**1 Claim, 2 Drawing Sheets**



(56)

**References Cited**

U.S. PATENT DOCUMENTS

2007/0181408 A1\* 8/2007 Schoepf ..... B65G 17/08  
198/850  
2008/0142342 A1\* 6/2008 Stebnicki ..... B65G 17/06  
198/853  
2009/0283388 A1\* 11/2009 Andersen ..... B65G 17/40  
198/850  
2012/0073938 A1\* 3/2012 Ozaki ..... B65G 17/46  
198/690.1  
2013/0277184 A1\* 10/2013 Ozaki ..... B65G 15/30  
198/853  
2015/0090565 A1\* 4/2015 Huettner ..... B65G 17/08  
198/853  
2015/0344228 A1\* 12/2015 Westergaard Andersen .....  
B65G 17/18  
198/836.1  
2016/0332821 A1\* 11/2016 van den Berg ..... B65G 17/08  
2018/0127147 A1\* 5/2018 Embleton ..... B65D 81/02

\* cited by examiner

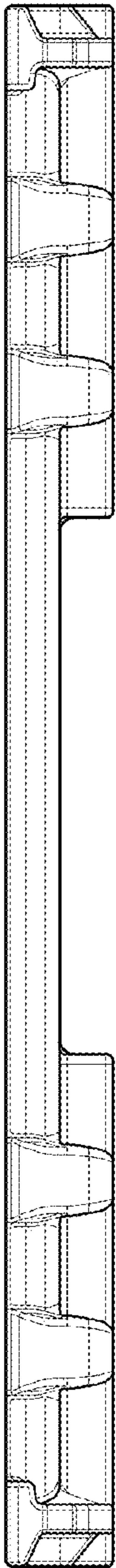


FIG. 1

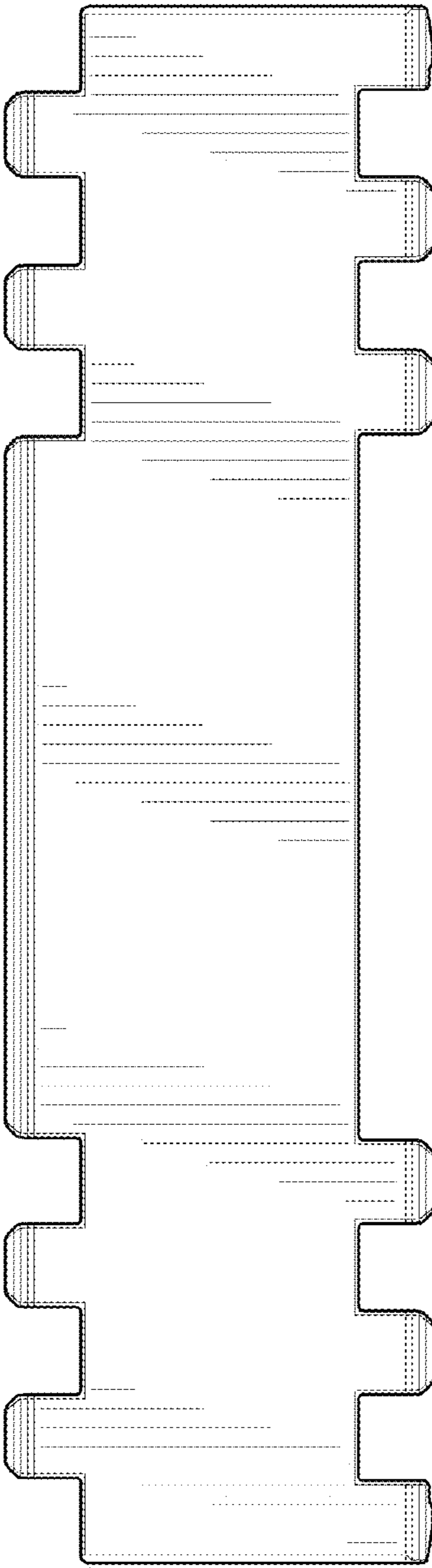


FIG. 2

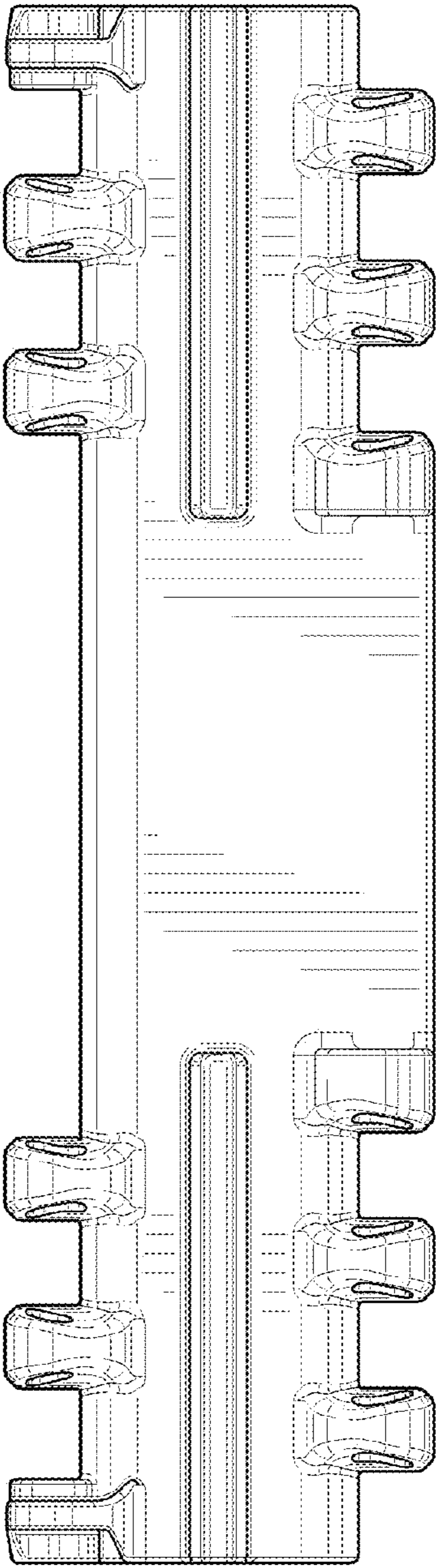


FIG. 3

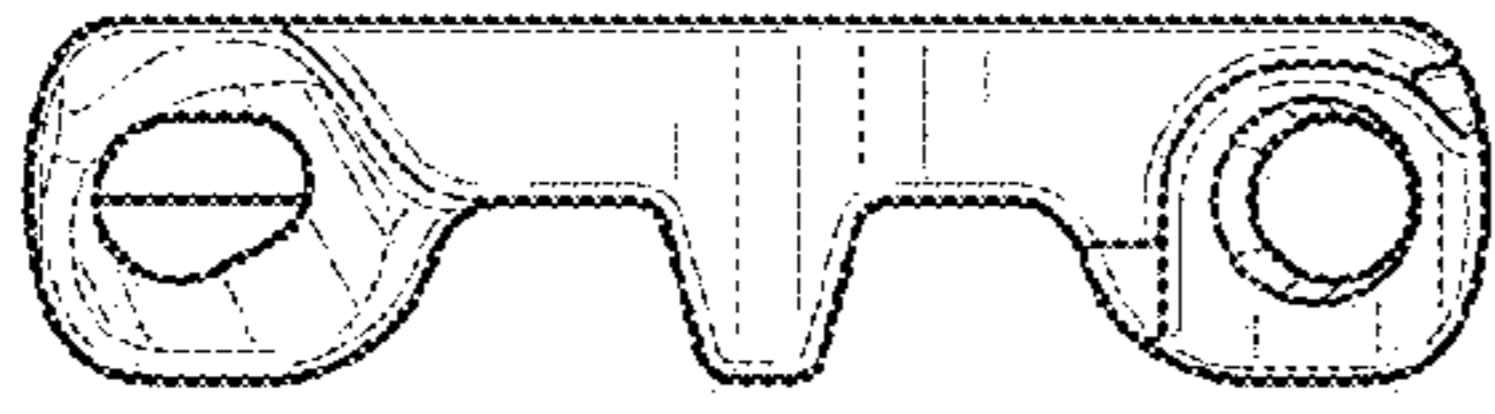


FIG. 4

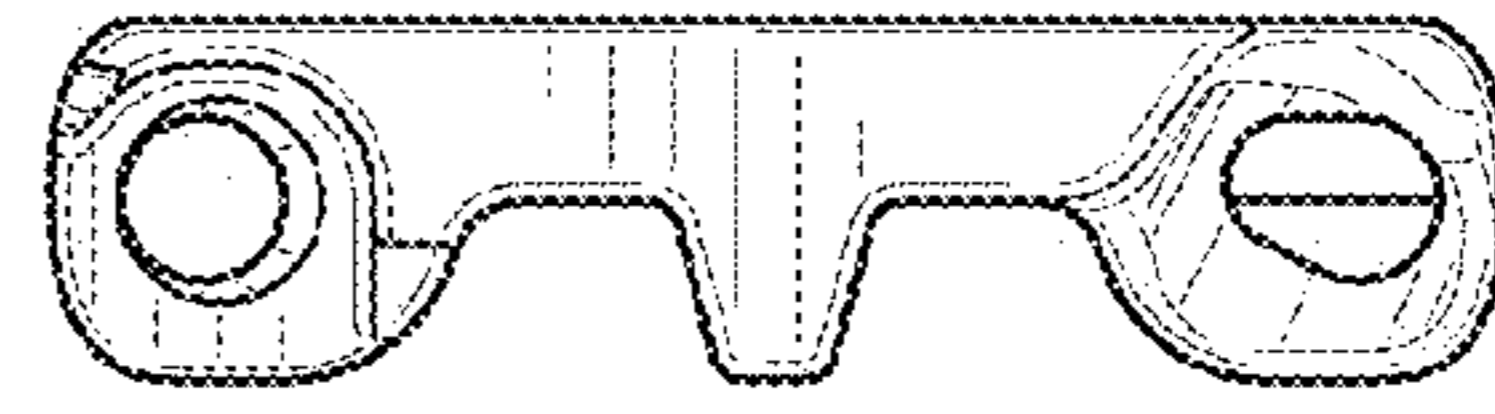


FIG. 5

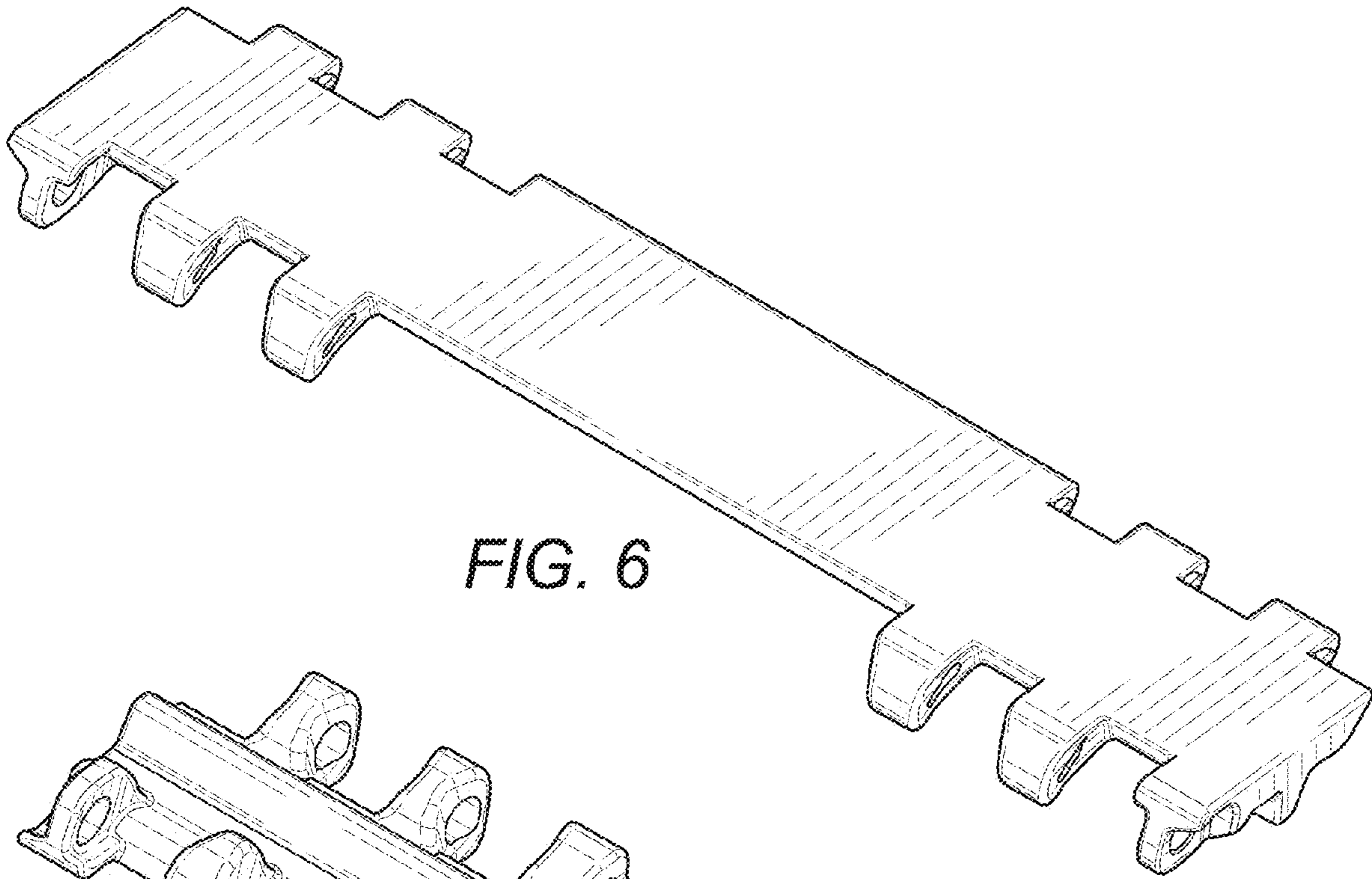


FIG. 6

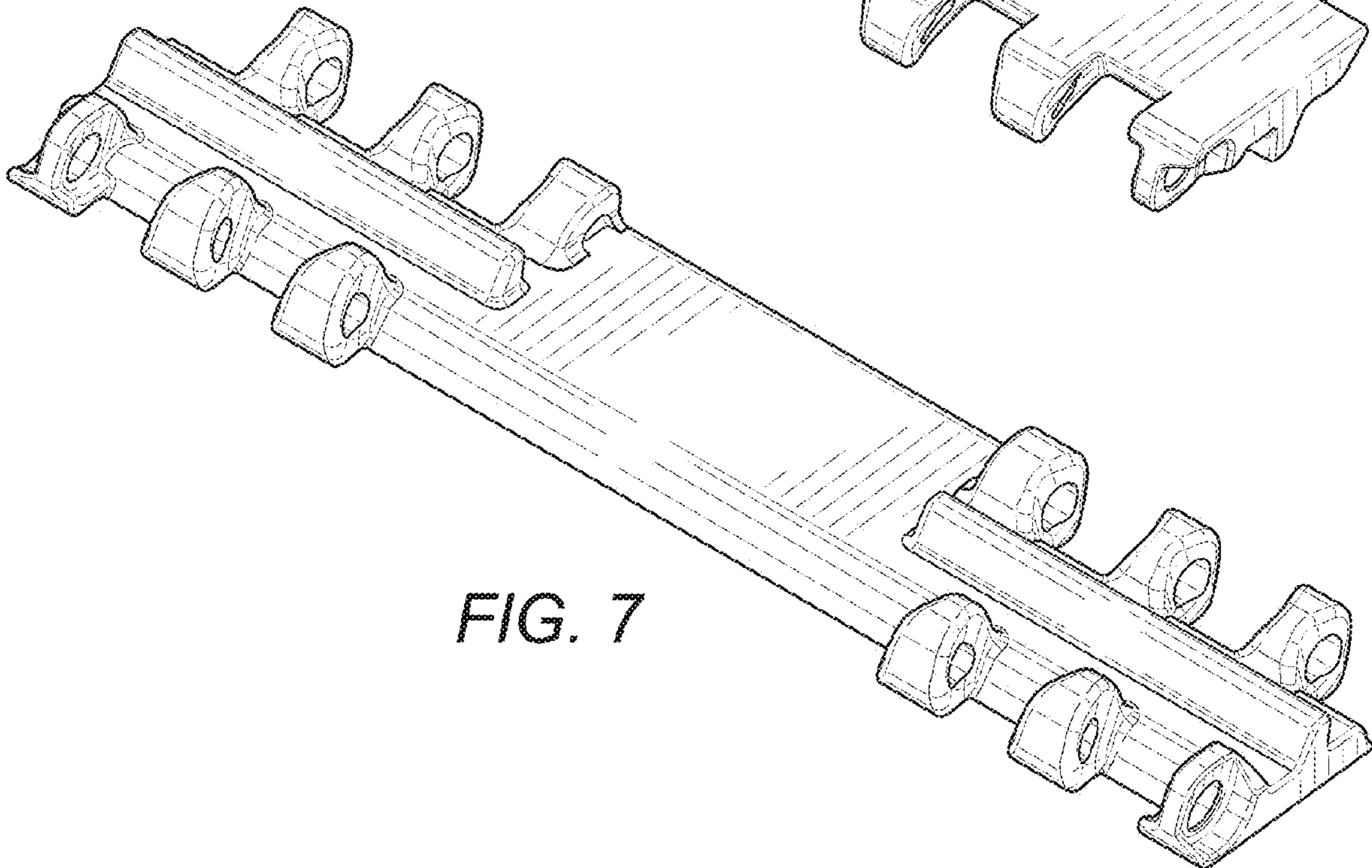


FIG. 7