

US00D934525S

(12) **United States Design Patent**
Simmendinger et al.

(10) **Patent No.:** **US D934,525 S**

(45) **Date of Patent:** **** *Oct. 26, 2021**

- (54) **CONVEYOR BELT SLAT**
- (71) Applicant: **HABASIT AG**, Reinach (CH)
- (72) Inventors: **Stefan Simmendinger**, Wahlen (CH);
Dietmar Elsner, Lörrach (DE)
- (*) Notice: This patent is subject to a terminal disclaimer.
- (**) Term: **15 Years**
- (21) Appl. No.: **29/727,649**
- (22) Filed: **Mar. 12, 2020**
- (51) **LOC (13) Cl.** **12-05**
- (52) **U.S. Cl.**
USPC **D34/29**
- (58) **Field of Classification Search**
USPC D34/29, 35
CPC .. B65G 17/08; B65G 17/086; B65G 2207/12;
B65G 2201/02
See application file for complete search history.

- 5,706,934 A * 1/1998 Palmaer B65G 17/08
198/840
- 5,996,776 A * 12/1999 van Zijderveld B65G 17/08
198/850
- D427,898 S * 7/2000 Loh 198/838
- 6,648,129 B2 * 11/2003 Sedlacek B65G 17/06
198/850
- D502,585 S * 3/2005 Damkjaer D34/29
- D503,841 S * 4/2005 Damkjaer D34/29
- 7,134,545 B1 * 11/2006 Smith B65G 17/08
198/834
- 7,360,644 B1 * 4/2008 Lucchi B65G 17/08
198/850
- D638,603 S * 5/2011 Jansen D34/29
- D655,882 S * 3/2012 Franzaroli D34/29
- 9,085,414 B2 * 7/2015 Sharma B65G 17/086
- D804,137 S * 11/2017 Fye B65G 17/08
D34/29
- 2002/0179418 A1 * 12/2002 Guldenfels B65G 17/086
198/853
- 2003/0168321 A1 * 9/2003 Kato B65G 47/53
198/851
- 2006/0075937 A1 * 4/2006 McDonald B65D 19/38
108/51.11

(Continued)

Primary Examiner — Cynthia Ramirez

(56) **References Cited**

U.S. PATENT DOCUMENTS

- 3,269,526 A * 8/1966 Imse F16G 13/12
198/853
- D291,777 S * 9/1987 Lapeyre D34/29
- 5,020,656 A * 6/1991 Faulkner B65G 17/08
198/494
- 5,020,659 A * 6/1991 Hodlewsky B65G 17/08
198/853
- 5,096,053 A * 3/1992 Hodlewsky B65G 17/08
198/853
- 5,174,438 A * 12/1992 Witham B65G 17/08
198/851
- 5,339,946 A * 8/1994 Faulkner B65G 17/08
198/494
- 5,573,106 A * 11/1996 Stebnicki B65G 17/08
198/853

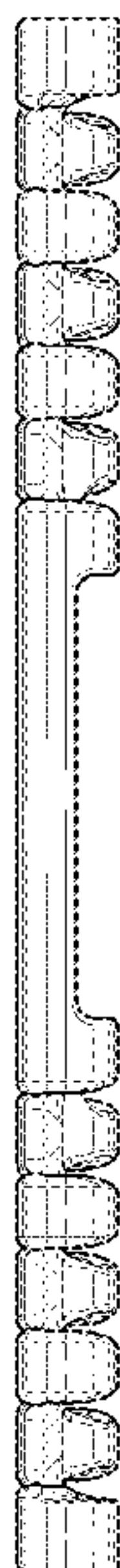
(57) **CLAIM**

The ornamental design for a conveyor belt slat, as shown and described.

DESCRIPTION

FIG. 1 is a front view of a conveyor belt slat showing our new design;
FIG. 2 is a top view thereof;
FIG. 3 is a bottom view thereof;
FIG. 4 is a side view thereof;
FIG. 5 is an opposite side view thereof;
FIG. 6 is an upper perspective view thereof; and,
FIG. 7 is a lower perspective view thereof.

1 Claim, 2 Drawing Sheets



(56)

References Cited

U.S. PATENT DOCUMENTS

2007/0181408	A1 *	8/2007	Schoepf	B65G 17/08 198/850
2008/0142342	A1 *	6/2008	Stebnicki	B65G 17/06 198/853
2009/0283388	A1 *	11/2009	Andersen	B65G 17/40 198/850
2012/0073938	A1 *	3/2012	Ozaki	B65G 17/46 198/690.1
2013/0277184	A1 *	10/2013	Ozaki	B65G 15/30 198/853
2015/0090565	A1 *	4/2015	Huettner	B65G 17/08 198/853
2015/0344228	A1 *	12/2015	Westergaard Andersen	B65G 17/18 198/836.1
2016/0332821	A1 *	11/2016	van den Berg	B65G 17/08
2018/0127147	A1 *	5/2018	Embleton	B65D 81/02

* cited by examiner

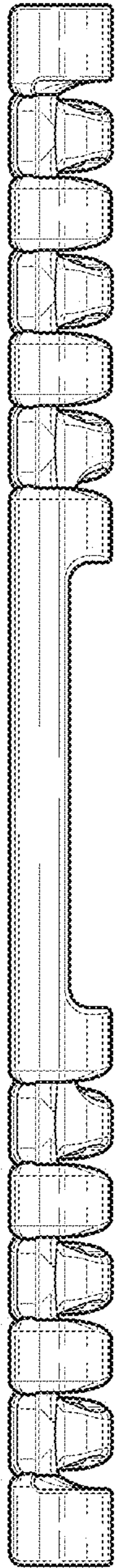


FIG. 1

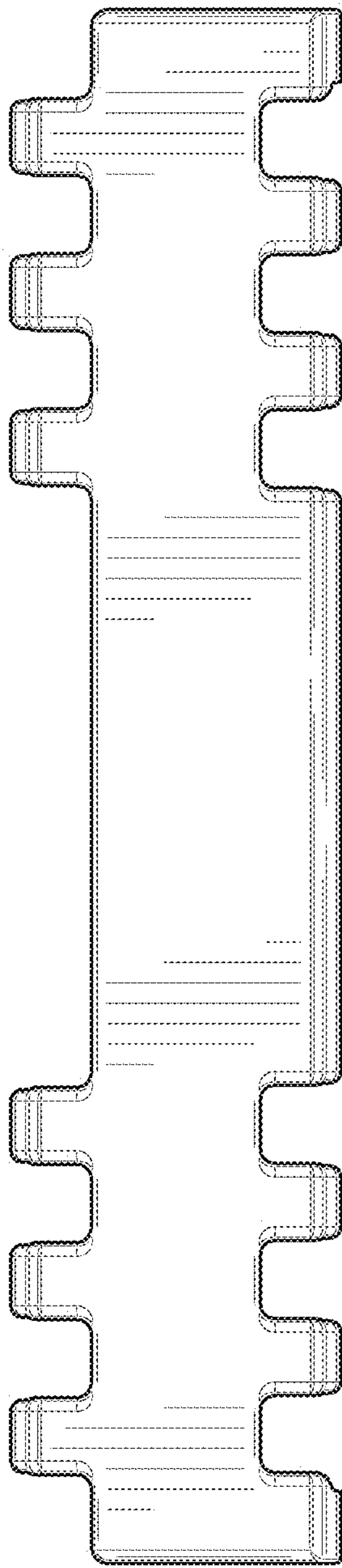


FIG. 2

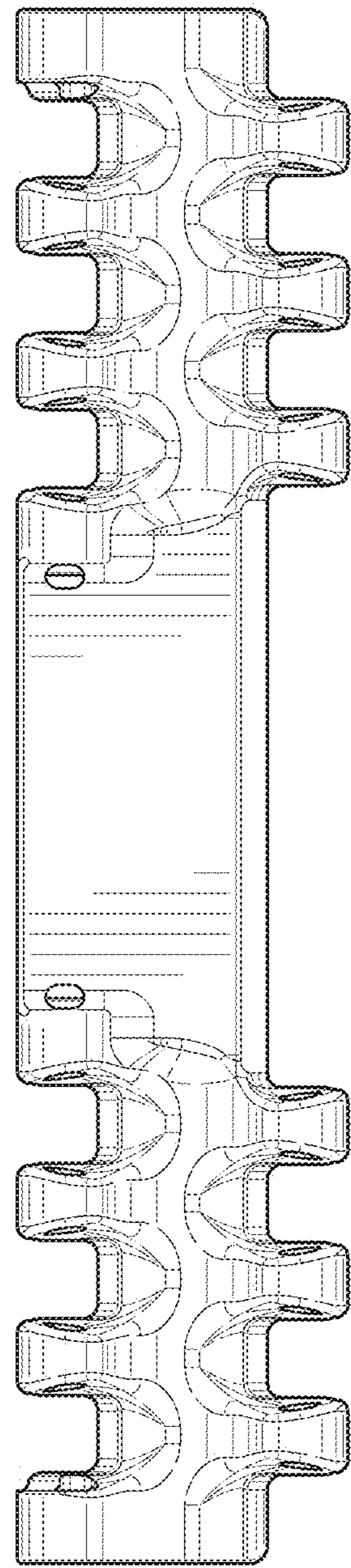


FIG. 3

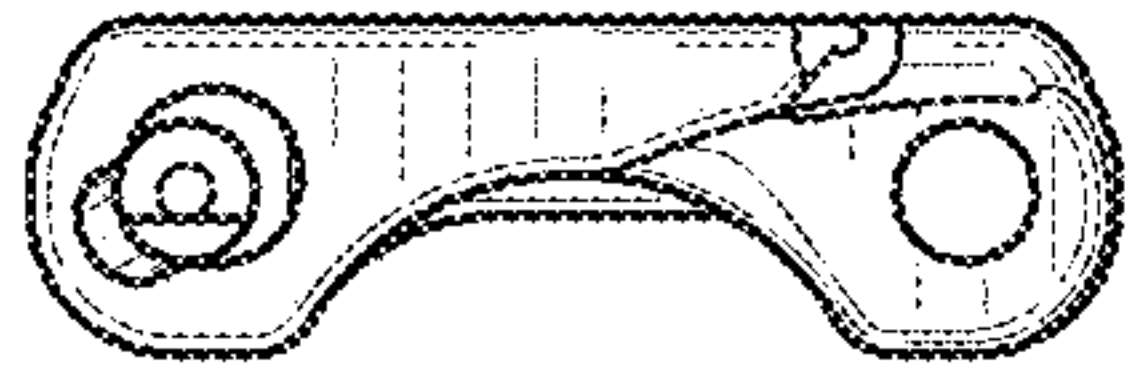


FIG. 4

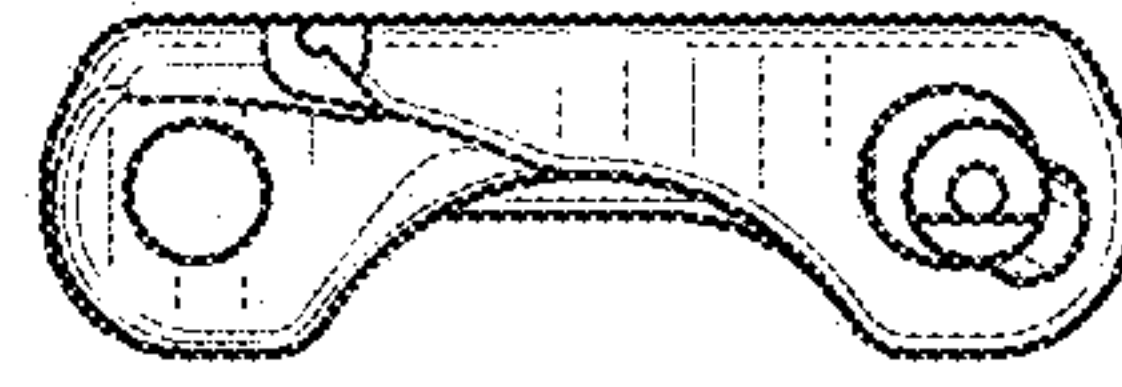


FIG. 5

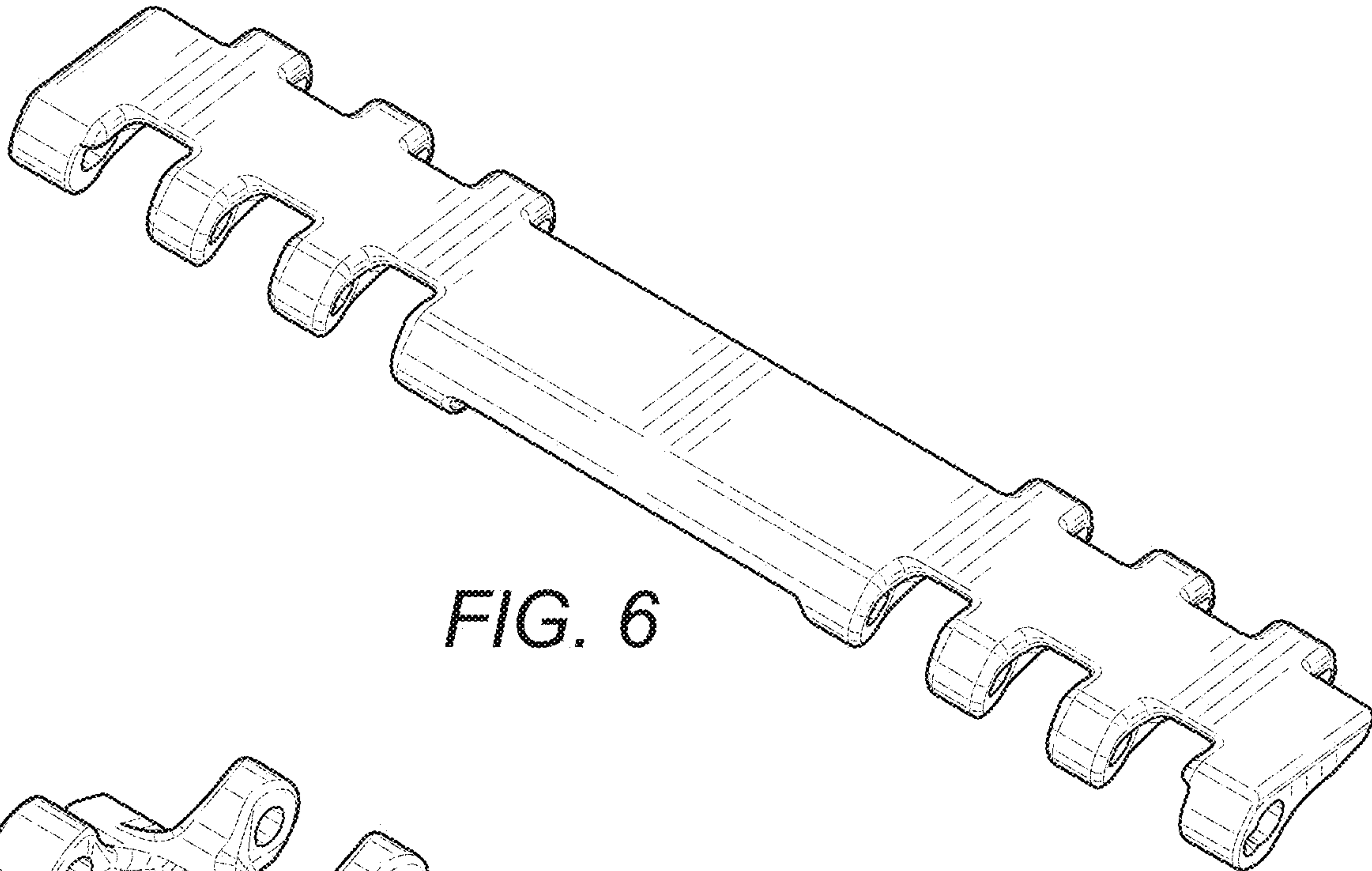


FIG. 6

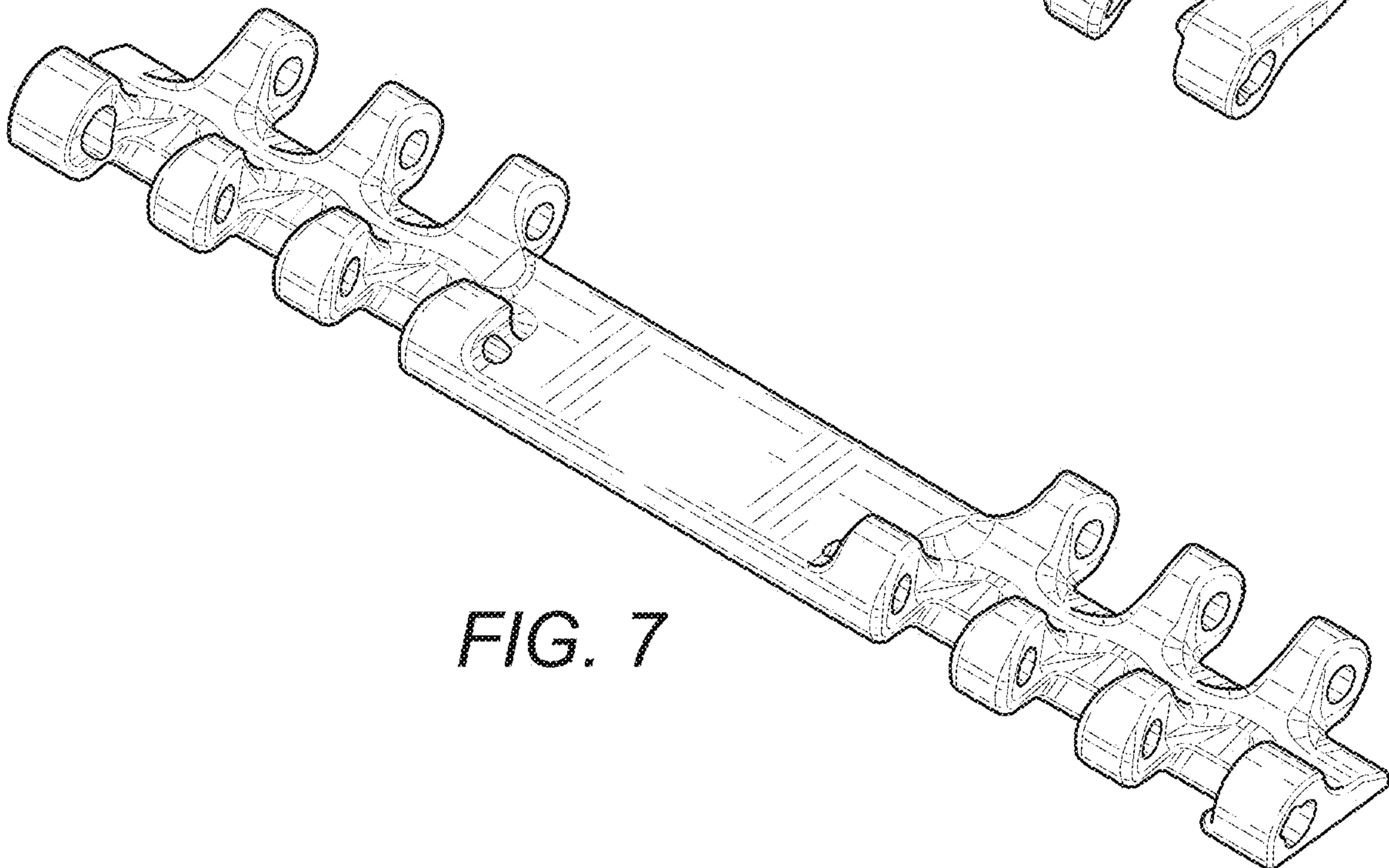


FIG. 7