



US00D934524S

(12) **United States Design Patent** (10) **Patent No.:** **US D934,524 S**  
**Rotem** (45) **Date of Patent:** **\*\* Oct. 26, 2021**

(54) **VACUUM GRIPPER**

(71) Applicant: **Nimrod Rotem**, San Francisco, CA (US)

(72) Inventor: **Nimrod Rotem**, San Francisco, CA (US)

(\*\*) Term: **15 Years**

(21) Appl. No.: **29/757,143**

(22) Filed: **Nov. 3, 2020**

2,920,916 A 1/1960 Pagdin  
3,506,297 A 4/1970 Creskoff  
3,763,453 A \* 10/1973 Schurr ..... H01F 7/206  
335/292  
3,915,241 A 10/1975 Bieri  
3,970,341 A \* 7/1976 Glanemann ..... B66C 1/0212  
294/186

(Continued)

**FOREIGN PATENT DOCUMENTS**

EP 3181027 A1 6/2017  
GB 1036586 A 7/1966

(Continued)

**Related U.S. Application Data**

(63) Continuation-in-part of application No. 29/753,783, filed on Oct. 1, 2020, and a continuation-in-part of application No. 16/769,107, filed on Jun. 2, 2020, said application No. 29/753,783 is a continuation of application No. 16/769,107, filed as application No. PCT/IL2019/050502 on May 5, 2019.

**Foreign Application Priority Data**

May 8, 2018 (IL) ..... 259216

(51) **LOC (13) Cl.** ..... **12-05**

(52) **U.S. Cl.**  
USPC ..... **D34/28**

(58) **Field of Classification Search**  
USPC ..... D34/28; D8/349, 356  
CPC ... B29C 48/022; B29C 48/0012; B29C 48/91;  
B29C 48/03; B29C 44/26; B66C 1/023;  
B66C 1/0281; B66C 1/0293; F16J 15/10;  
F16J 15/022; F16J 15/104  
See application file for complete search history.

(56) **References Cited**

**U.S. PATENT DOCUMENTS**

1,294,103 A 2/1919 Hitchcock  
2,837,702 A \* 6/1958 Blind ..... H01F 7/206  
335/291

**OTHER PUBLICATIONS**

Written Opinion and International Search Report dated Aug. 28, 2019 for PCT/IL2019/050502 filed May 5, 2019.

*Primary Examiner* — Cynthia Ramirez  
(74) *Attorney, Agent, or Firm* — Connie R. Masters

(57) **CLAIM**

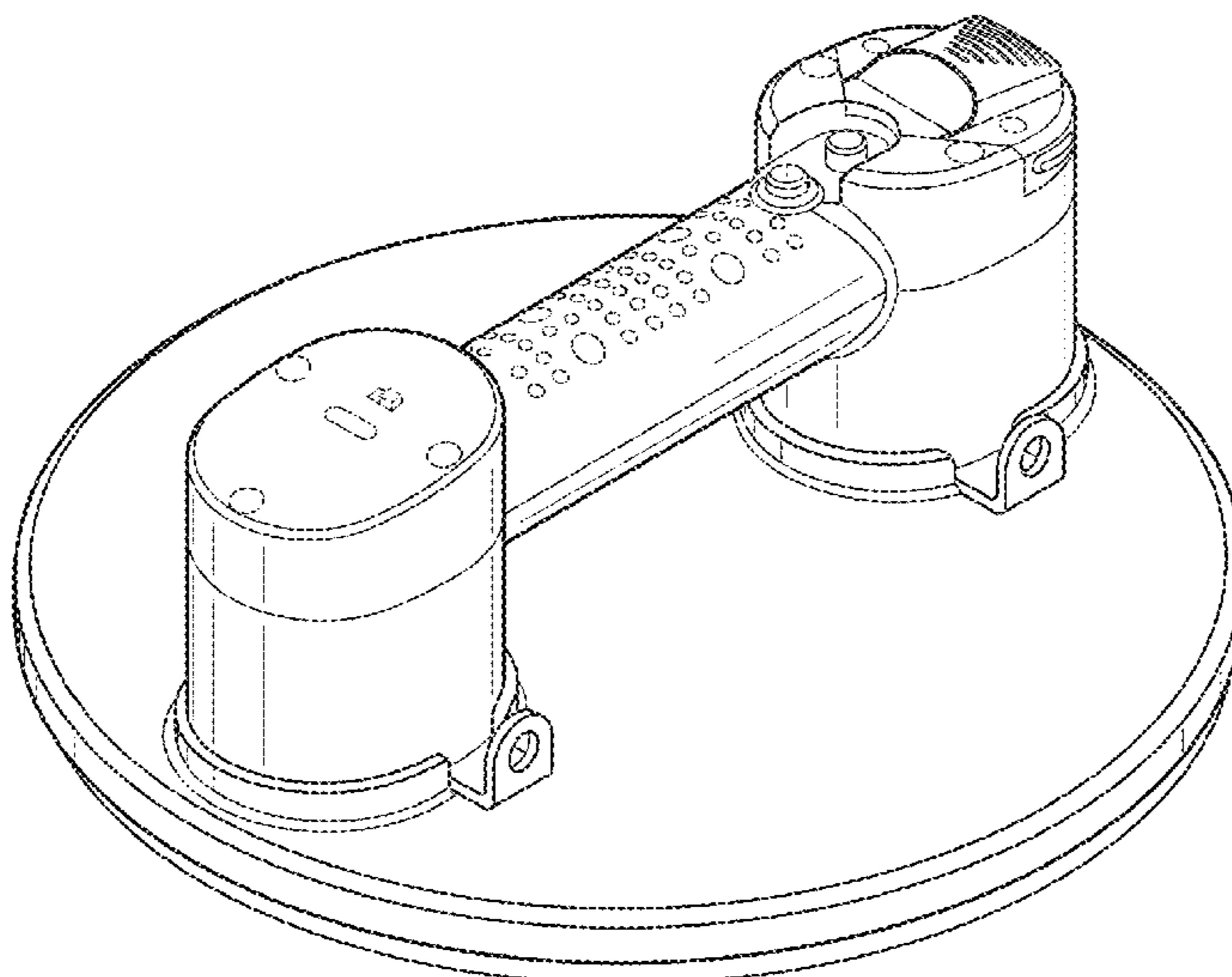
The ornamental design for a vacuum gripper, as shown and described.

**DESCRIPTION**

FIG. 1 is a perspective top view of a vacuum gripper, showing my new design;  
FIG. 2 is a perspective bottom view thereof;  
FIG. 3 is a rear view thereof;  
FIG. 4 is a front view thereof;  
FIG. 5 is a left side view thereof;  
FIG. 6 is a right side view thereof;  
FIG. 7 is a top view thereof;  
FIG. 8 is a bottom view thereof; and,  
FIG. 9 is a sectional view thereof, taken along line 9-9 of FIG. 2.

The broken lines in the figures show portions of the vacuum gripper, which form no part of the claimed design.

**1 Claim, 9 Drawing Sheets**



(56)

References Cited

U.S. PATENT DOCUMENTS

D246,500 S 11/1977 Poulsen et al.  
 4,112,248 A \* 9/1978 Leive ..... H01F 7/206  
 174/50  
 4,185,261 A \* 1/1980 Nagata ..... H01F 7/206  
 294/65.5  
 D269,939 S 8/1983 Norman  
 4,852,926 A 8/1989 Littell  
 5,190,332 A 3/1993 Nagai et al.  
 D337,411 S \* 7/1993 Smith ..... D13/183  
 5,375,895 A 12/1994 Volkert  
 D386,842 S 11/1997 Hoshino et al.  
 5,748,062 A \* 5/1998 Kirkpatrick ..... H01F 7/206  
 294/65.5  
 6,039,371 A \* 3/2000 Smith ..... E04F 21/22  
 254/200  
 6,213,528 B1 4/2001 Hufken et al.  
 6,244,778 B1 6/2001 Chesbrough  
 D446,623 S \* 8/2001 Smith ..... D34/35  
 6,279,976 B1 8/2001 Ball  
 6,296,426 B1 10/2001 King et al.  
 6,382,692 B1 5/2002 Schmalz et al.  
 6,413,022 B1 7/2002 Sarh  
 6,502,877 B2 1/2003 Schick et al.  
 D490,201 S \* 5/2004 Liao ..... D34/28  
 7,086,675 B2 8/2006 Jacobs  
 7,222,901 B2 5/2007 Gebauer et al.  
 7,267,512 B1 9/2007 Mueller  
 7,404,536 B2 7/2008 Kalb  
 D609,340 S 2/2010 Eder et al.  
 7,712,807 B2 5/2010 Perlman et al.  
 7,963,578 B2 6/2011 Wells et al.

D651,505 S 1/2012 Roth et al.  
 8,096,537 B2 1/2012 Browne et al.  
 8,235,337 B2 8/2012 Ostendarp  
 8,267,386 B2 9/2012 Schaaf et al.  
 8,414,045 B2 4/2013 Schaaf  
 8,500,181 B2 8/2013 Ostendarp et al.  
 9,062,689 B2 6/2015 Schaaf  
 9,108,319 B2 8/2015 Kniss et al.  
 9,215,962 B2 12/2015 Qian  
 9,815,209 B2 11/2017 Pinet et al.  
 D879,396 S 3/2020 Knight  
 D880,087 S 3/2020 Knight  
 D893,981 S \* 8/2020 Livingston, Jr. .... D8/315  
 2007/0200378 A1 \* 8/2007 Johnson ..... B66C 1/0256  
 294/65  
 2007/0241575 A1 \* 10/2007 Lundin ..... B66C 1/0293  
 294/183  
 2009/0166490 A1 \* 7/2009 Liao ..... F16B 47/00  
 248/205.8  
 2010/0150743 A1 \* 6/2010 Dellach ..... B66C 1/0212  
 417/182  
 2014/0035304 A1 \* 2/2014 Seebauer ..... B66C 1/0293  
 294/189  
 2018/0094728 A1 \* 4/2018 Denton ..... F16J 15/022  
 2020/0338695 A1 \* 10/2020 Rotem ..... B66C 1/0287  
 2021/0033193 A1 \* 2/2021 Aoki ..... F16J 15/025

FOREIGN PATENT DOCUMENTS

GB 1193899 A 6/1970  
 KR 30-2015-0003093 1/2015  
 WO 2010110719 A1 9/2010

\* cited by examiner

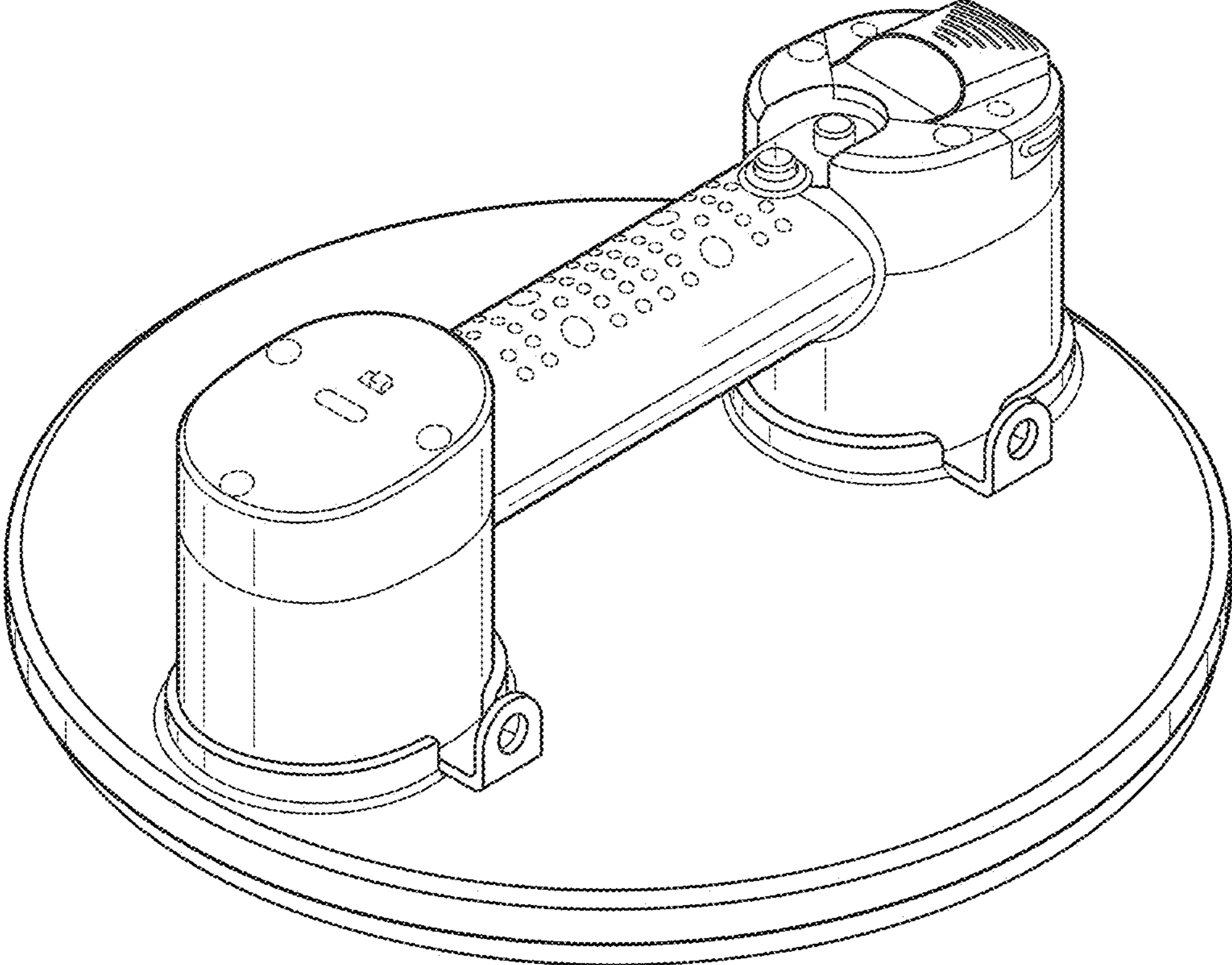


FIG. 1

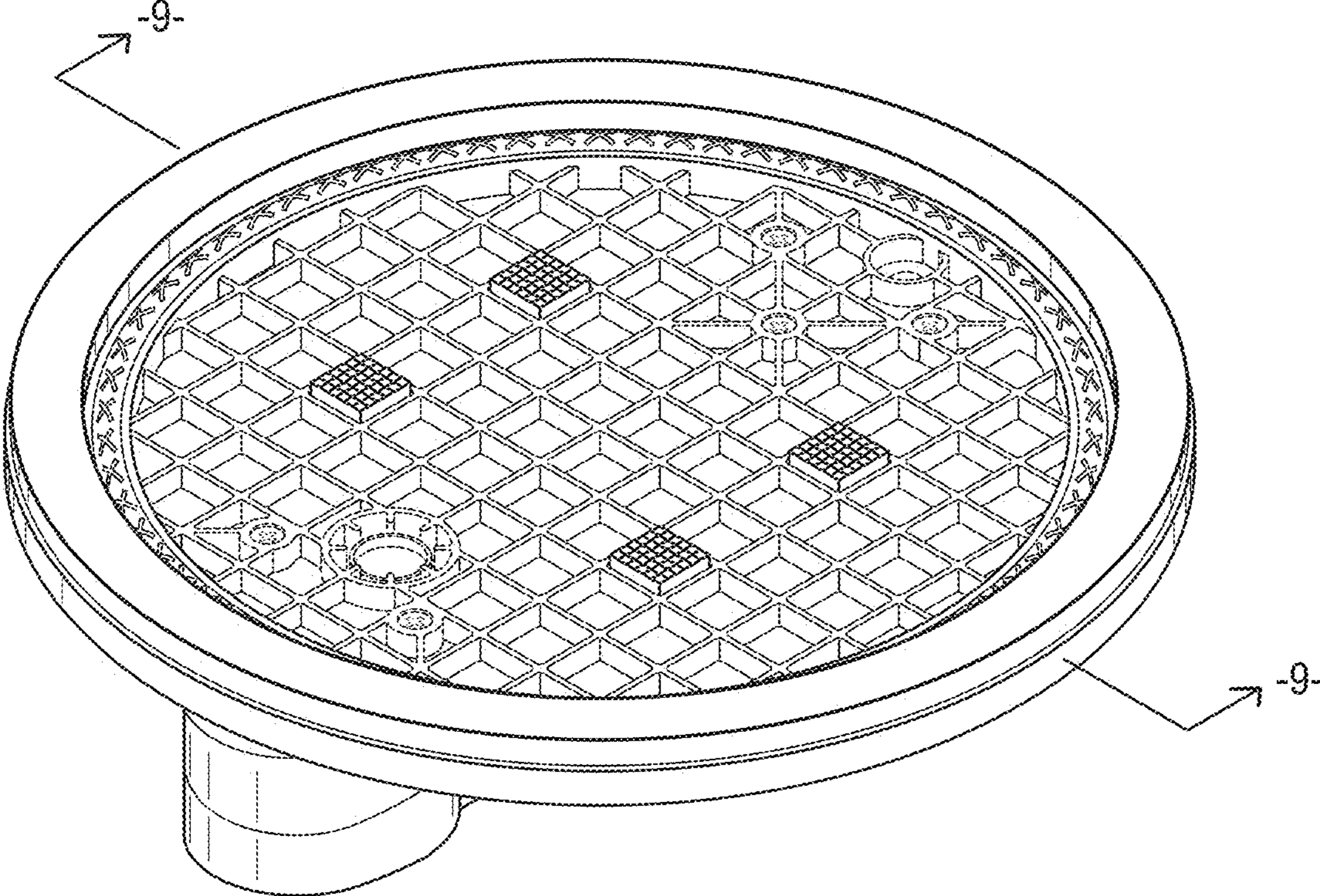


FIG. 2

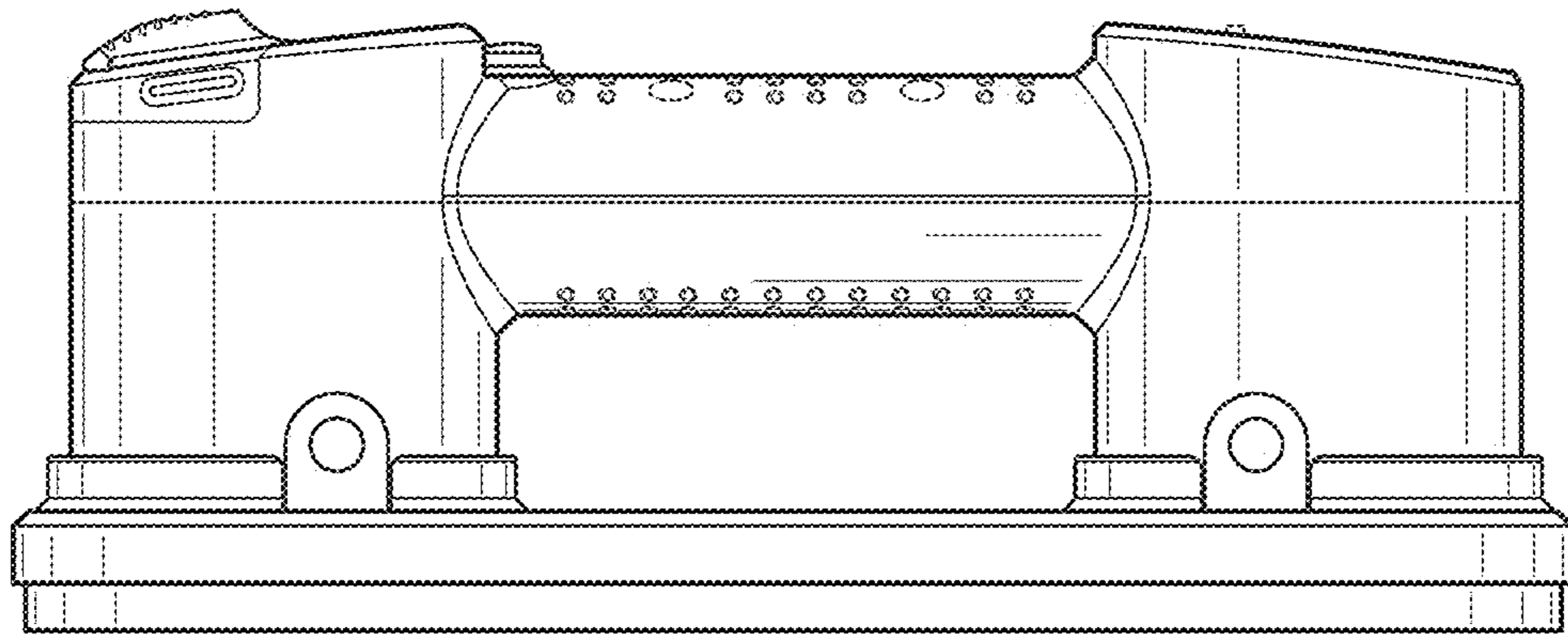


FIG. 3

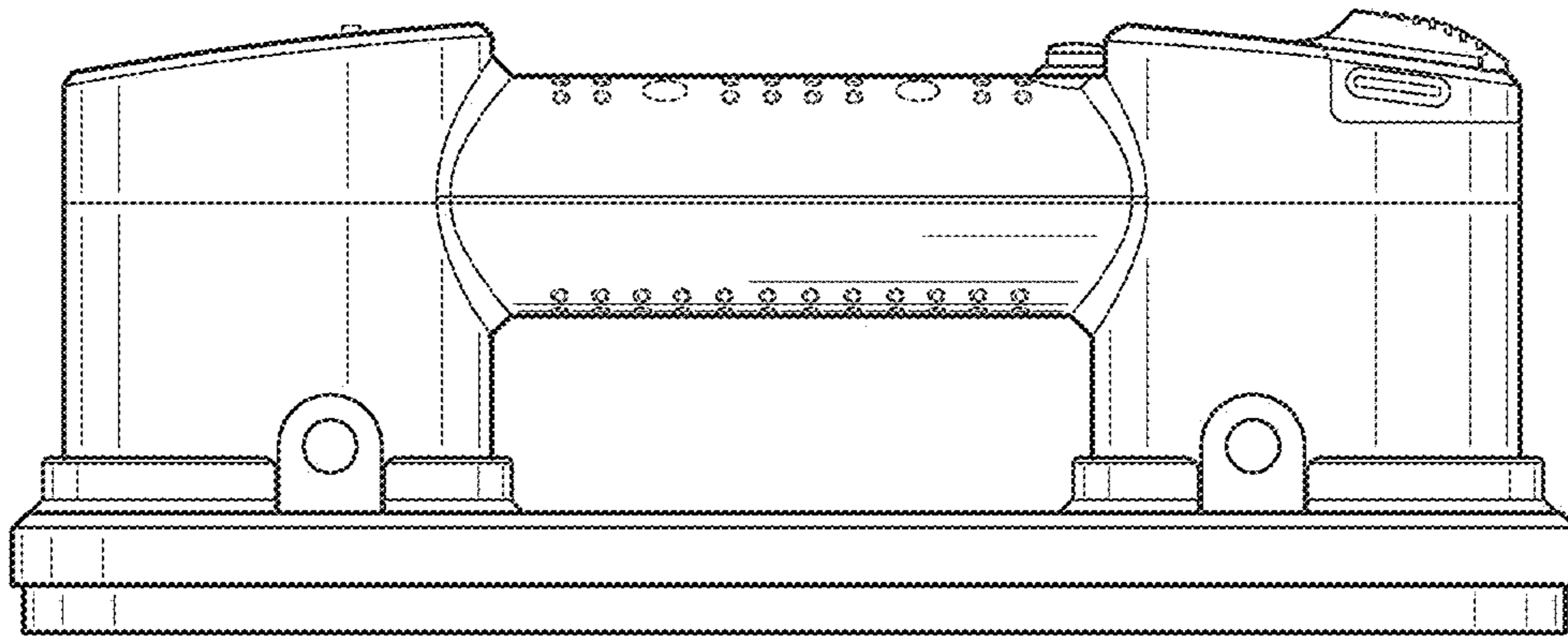


FIG. 4

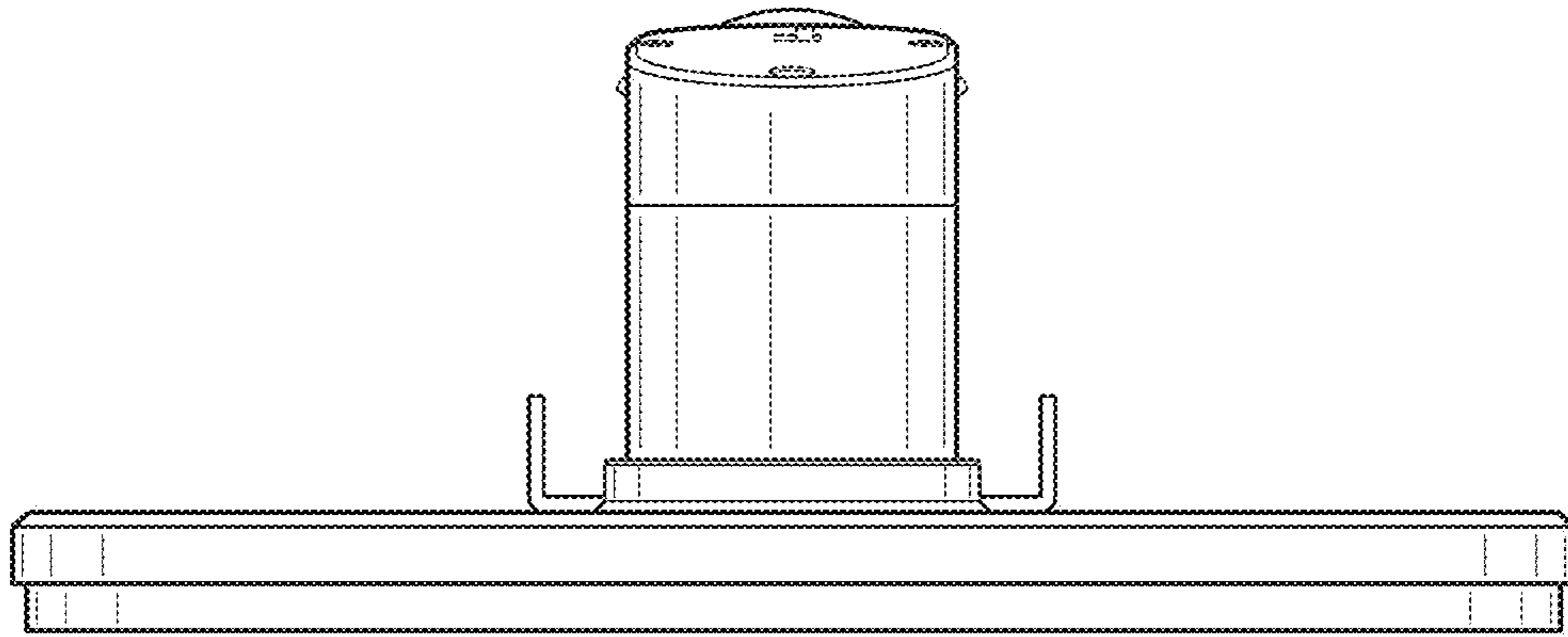


FIG. 5

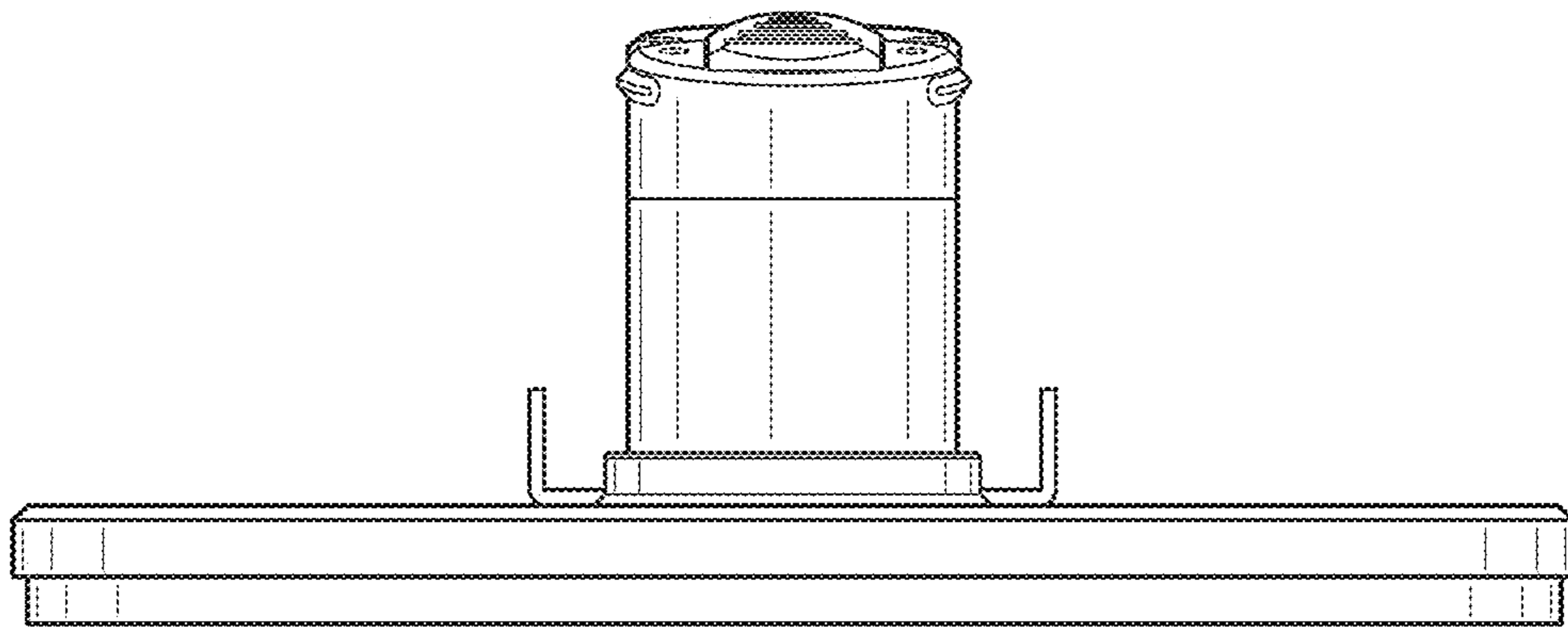


FIG. 6



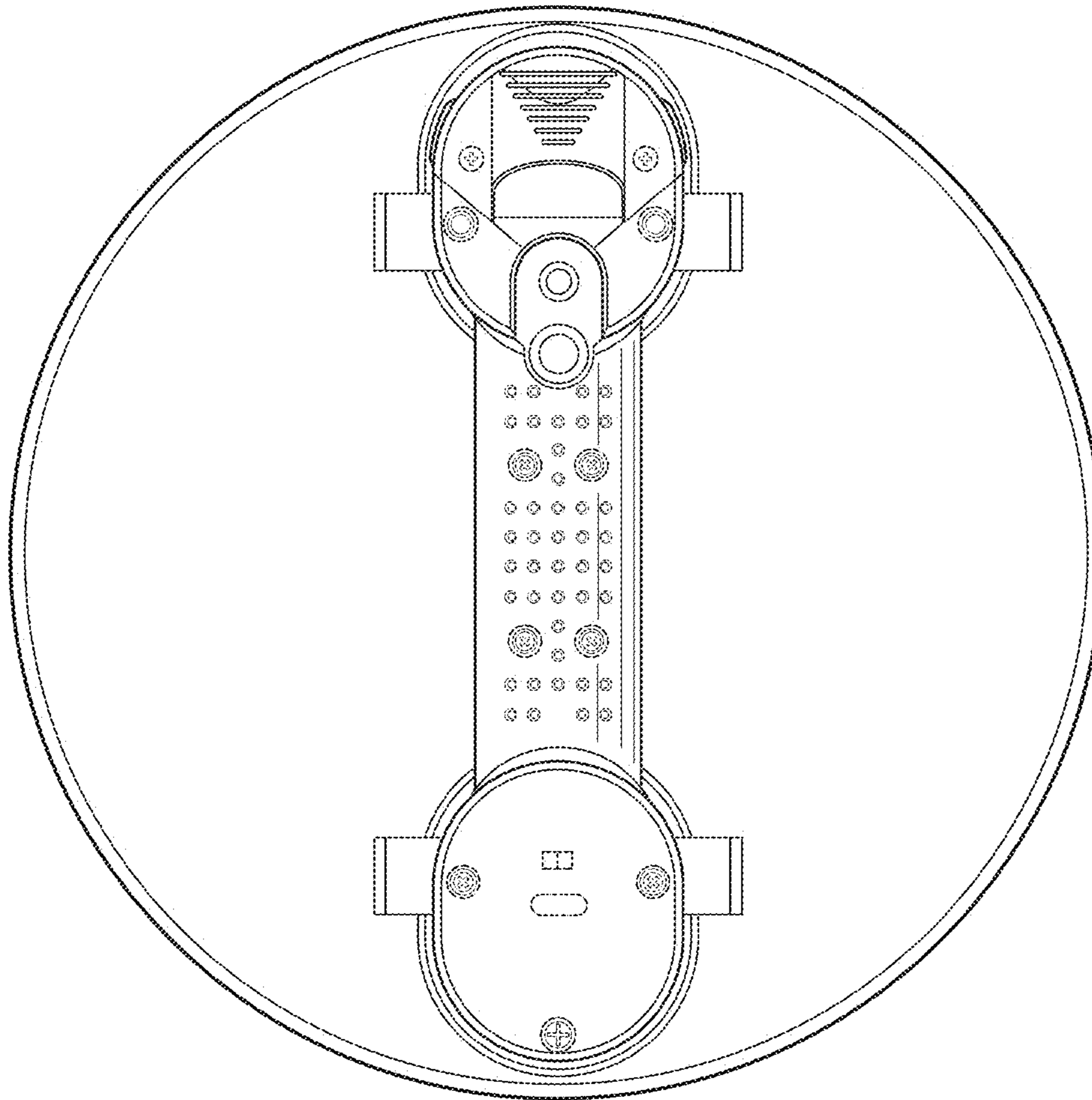


FIG. 7

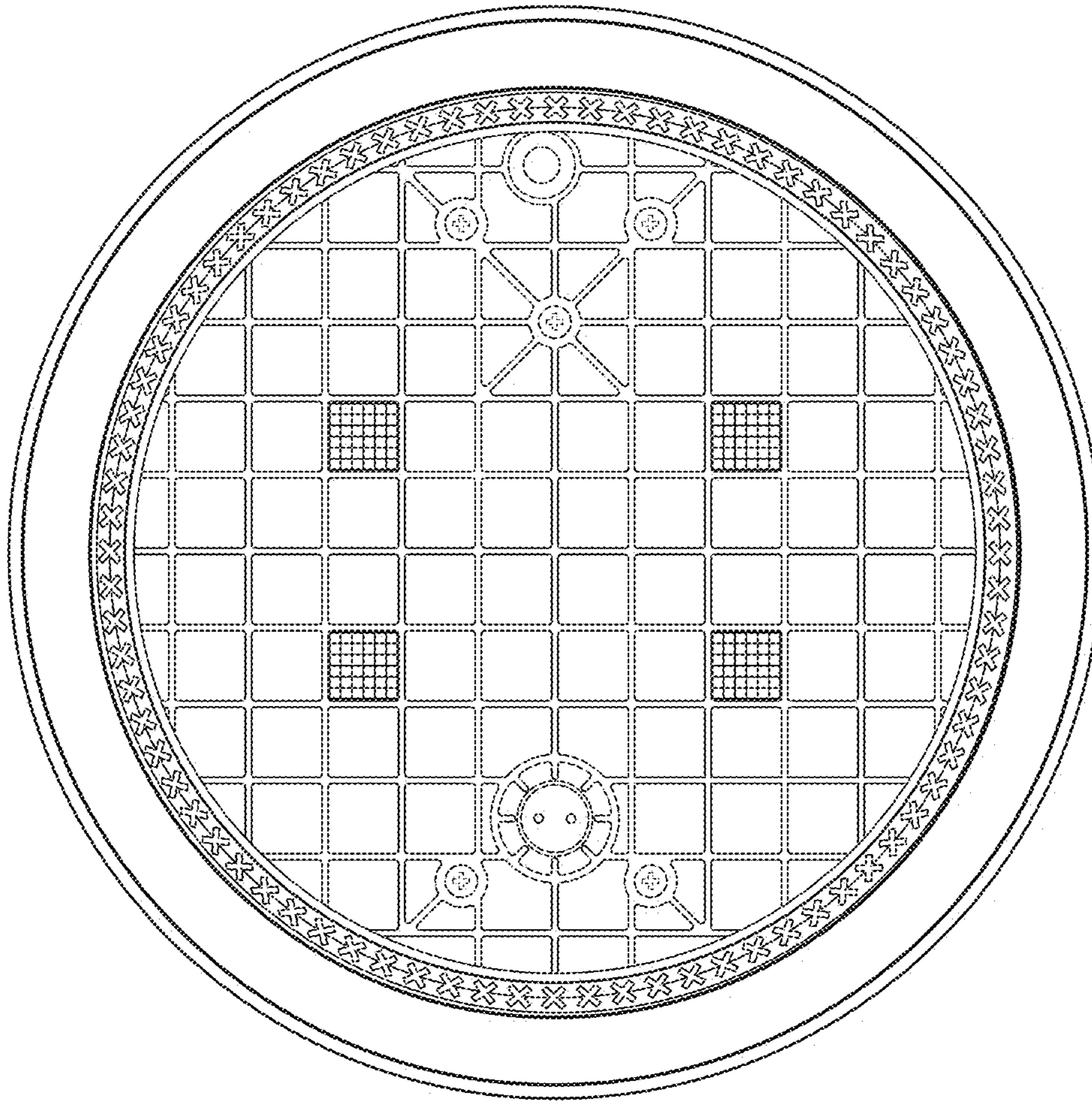


FIG. 8

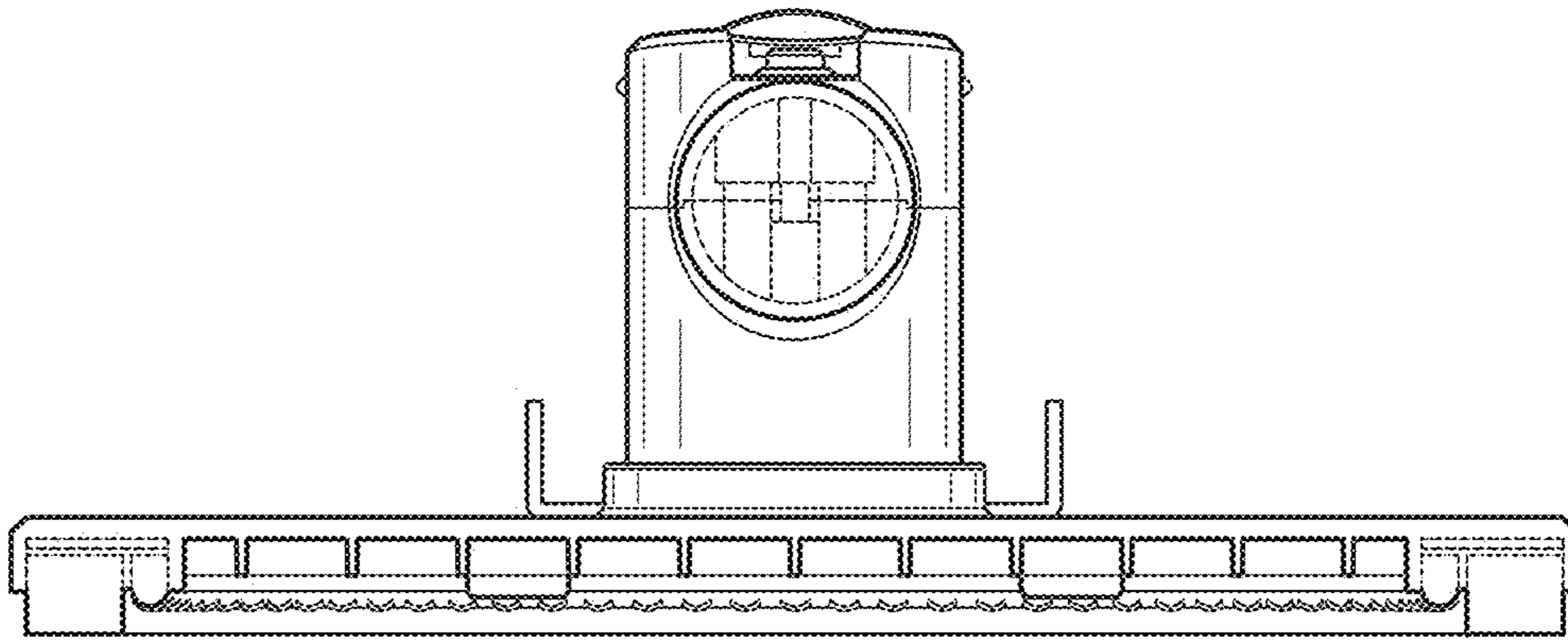


FIG. 9