



US00D934523S

(12) **United States Design Patent** (10) **Patent No.:** **US D934,523 S**  
**Houle et al.** (45) **Date of Patent:** **\*\* Oct. 26, 2021**

(54) **POWERED DOLLY**

(71) Applicant: **Parkit360 Inc.**, Carleton Place (CA)  
(72) Inventors: **Stephen Houle**, Carleton Place (CA);  
**Gary Baker**, Westport (CA)  
(73) Assignee: **PARKIT360, INC.**, Ontario (CA)  
(\*\*) Term: **15 Years**

(21) Appl. No.: **29/698,608**

(22) Filed: **Jul. 18, 2019**

(30) **Foreign Application Priority Data**

Mar. 15, 2019 (CA) ..... CA 186586

(51) **LOC (13) Cl.** ..... **12-02**

(52) **U.S. Cl.**  
USPC ..... **D34/23**

(58) **Field of Classification Search**  
USPC ..... D34/12-27  
CPC ..... B60S 9/215; B60S 9/18; B62D 53/0864;  
B60D 1/665

See application file for complete search history.

(56) **References Cited**

**U.S. PATENT DOCUMENTS**

10,399,774 B2 \* 9/2019 Ramankutty ..... B65G 1/0421  
10,711,497 B2 \* 7/2020 Lang ..... E06B 3/46  
2014/0290001 A1 \* 10/2014 Hasegawa ..... B60B 33/0044  
16/45  
2017/0008701 A1 \* 1/2017 Terrill ..... B65G 1/0492  
2020/0198596 A1 \* 6/2020 Houle ..... B60D 1/06

**OTHER PUBLICATIONS**

Vestil Terrain Dolly, announced 2021 [online], [site visited Feb. 23, 2021], Available from internet, URL: <https://hofequipment.com/Vestil-ALL-T-D8W-1400-All-Terrain-Dolly-p2076.html> (Year: 2021).  
“Bigfoot 6 Wheel Jet Ski Dolly—Florida Sailcraft—Jet Ski Beach Trailers Florida Sailcraft”, 4 pages, downloaded on Dec. 17, 2018 from <https://floridasailcraft.com/product/bigfoot-6-wheel-jet-ski-dolly/>.  
“Trailer Valet RVR—Trailer Valet”, 5 pages, downloaded on Dec. 17, 2018 from <https://trailerValet.com/shop/rvr/>.

\* cited by examiner

*Primary Examiner* — George A Bugg

*Assistant Examiner* — Tamara L Hahn

(74) *Attorney, Agent, or Firm* — Barlow, Josephs & Holmes, Ltd.; Stephen J. Holmes

(57) **CLAIM**

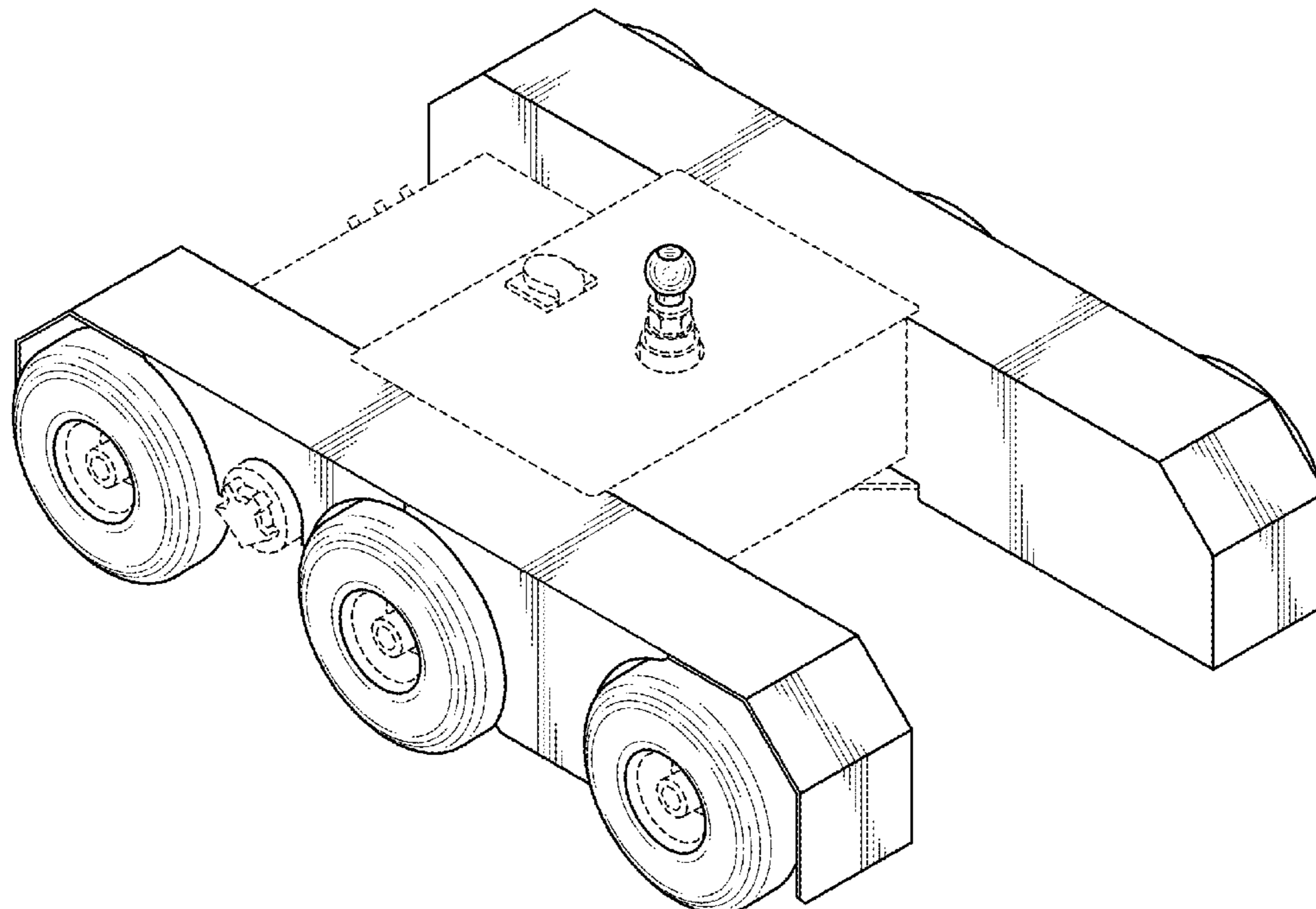
The ornamental design for a powered dolly, as shown and described.

**DESCRIPTION**

FIG. 1 is a rear perspective view of a powered dolly in accordance with the present design;  
FIG. 2 is a top view thereof;  
FIG. 3 is a bottom view thereof;  
FIG. 4 is a left side view thereof;  
FIG. 5 is a right side view thereof;  
FIG. 6 is a front view thereof; and,  
FIG. 7 is a rear view thereof.

The elements shown in broken lines in the Figures are portions of a powered dolly which form no part of the claimed design.

**1 Claim, 5 Drawing Sheets**



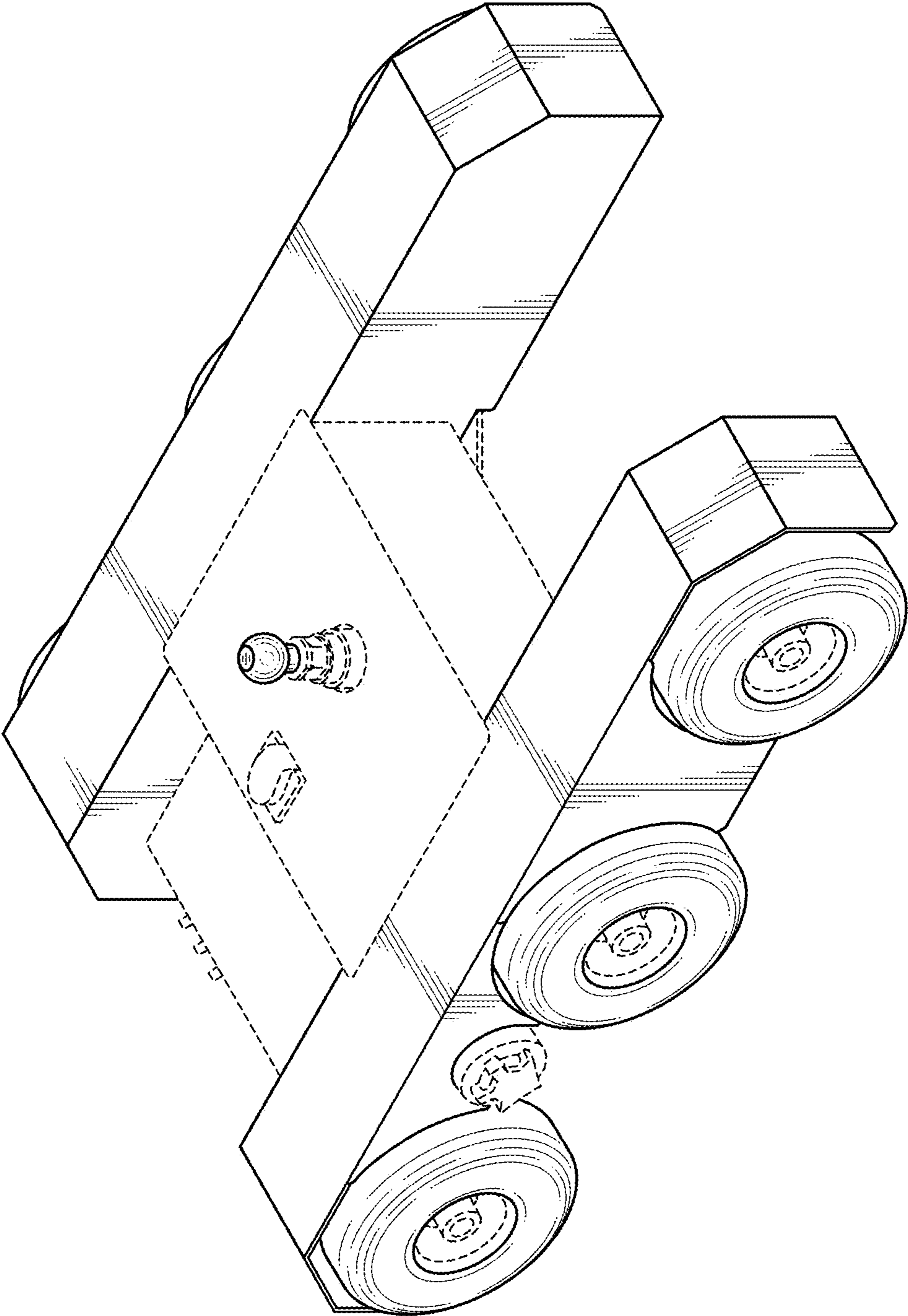


FIG. 1

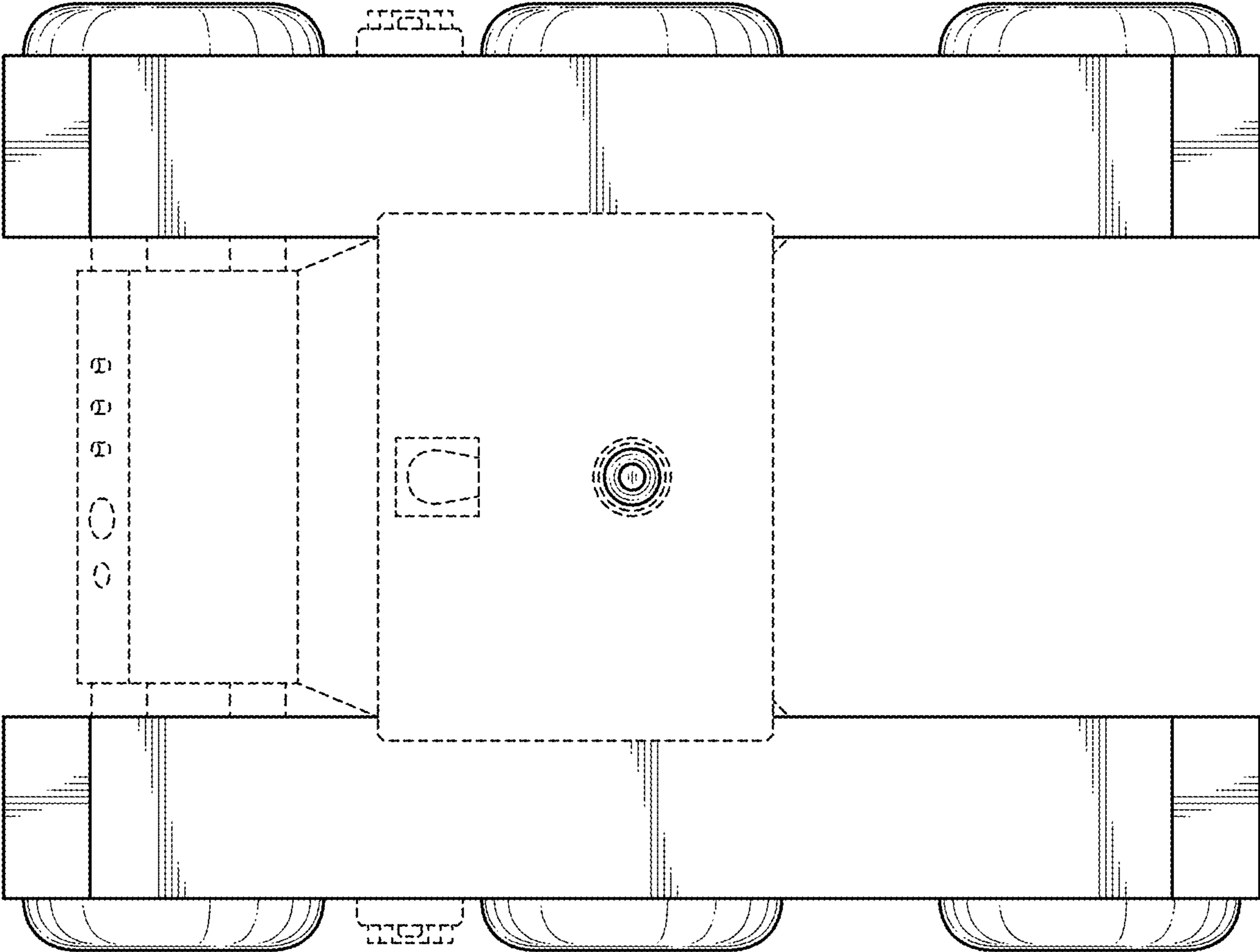


FIG. 2

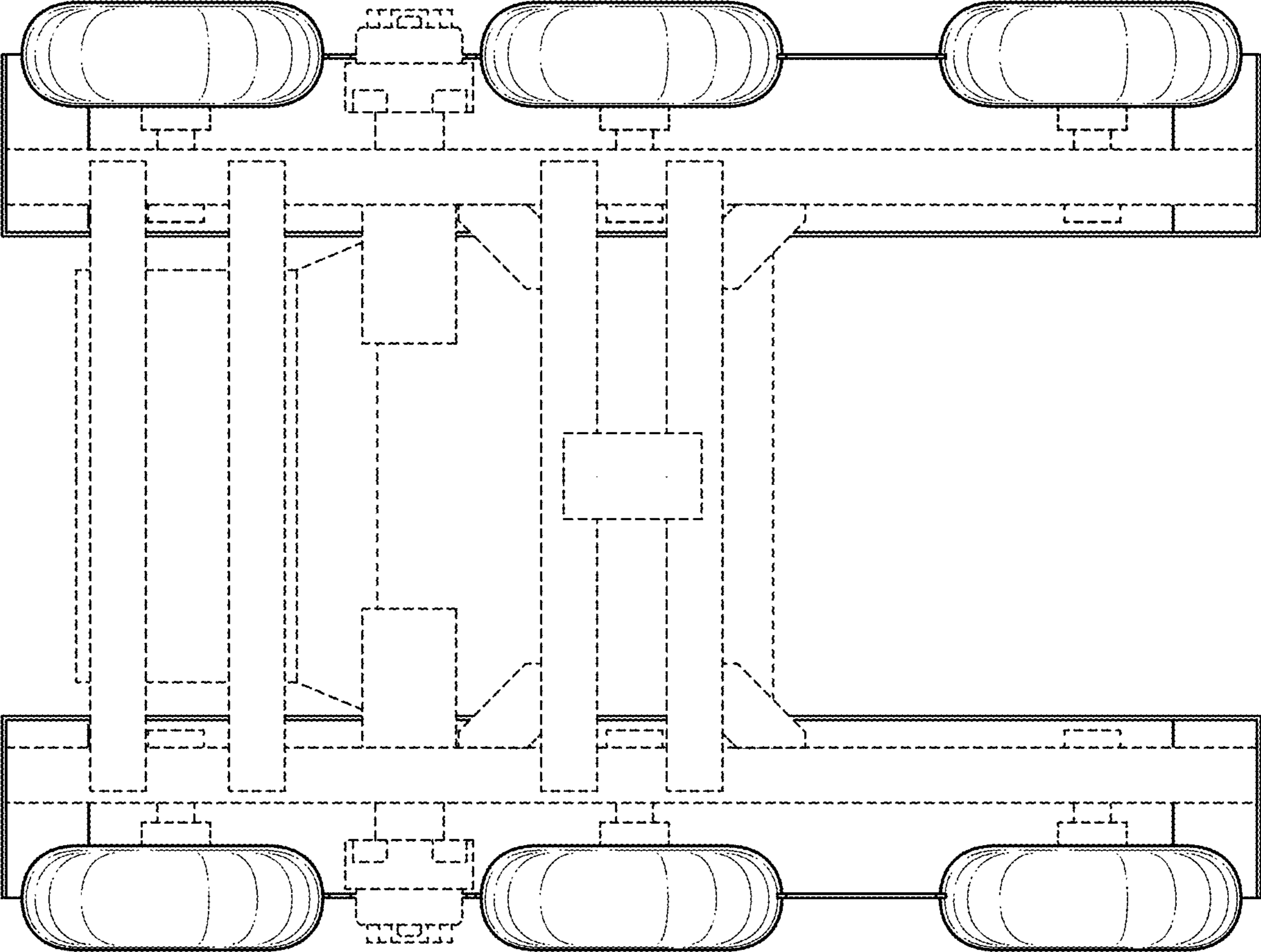
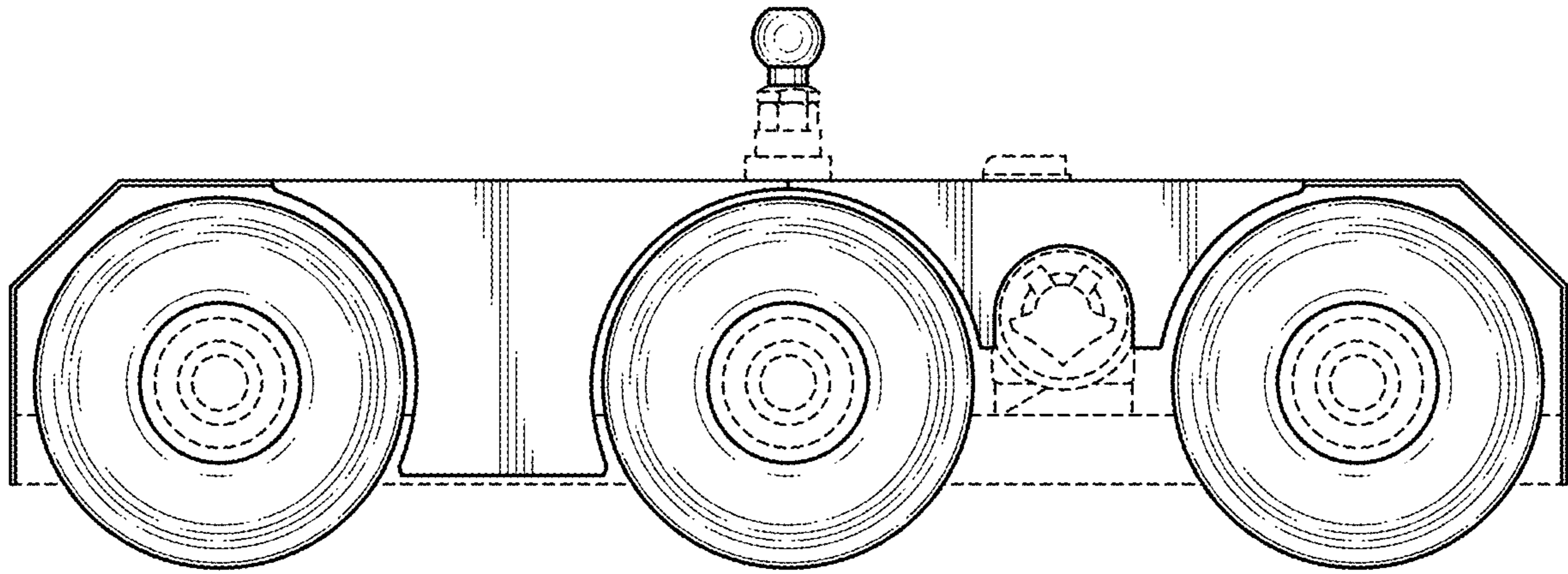
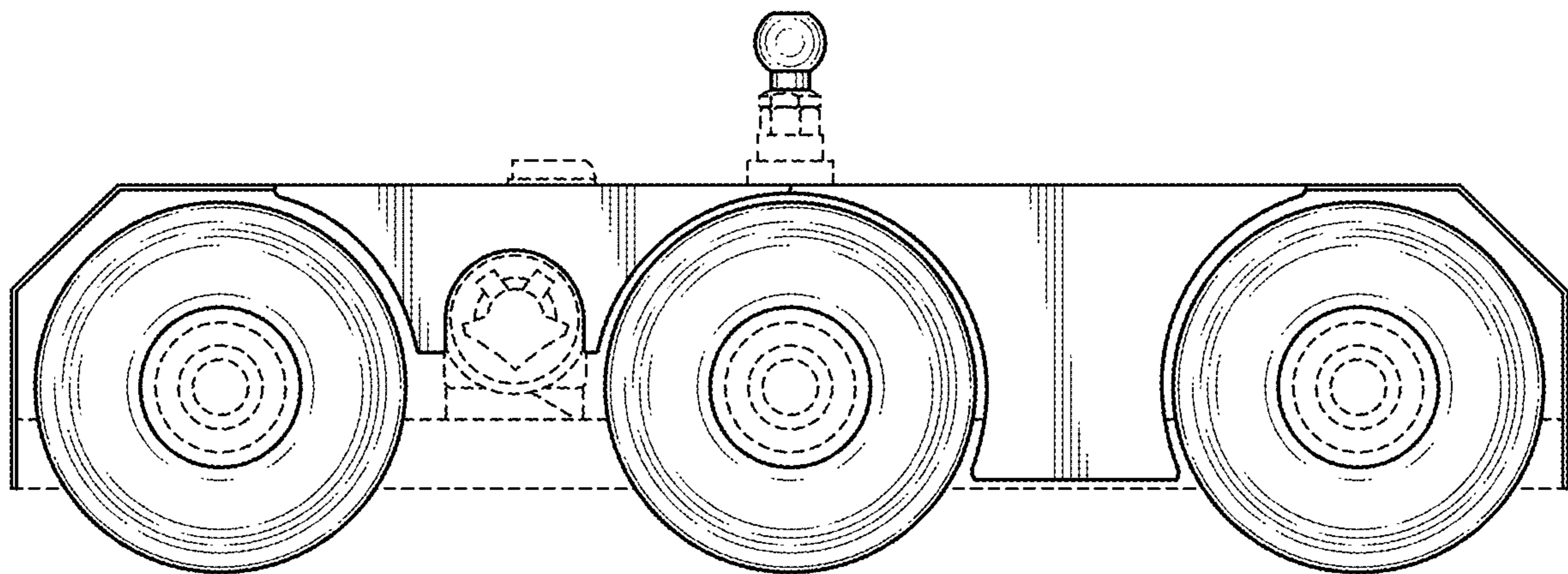


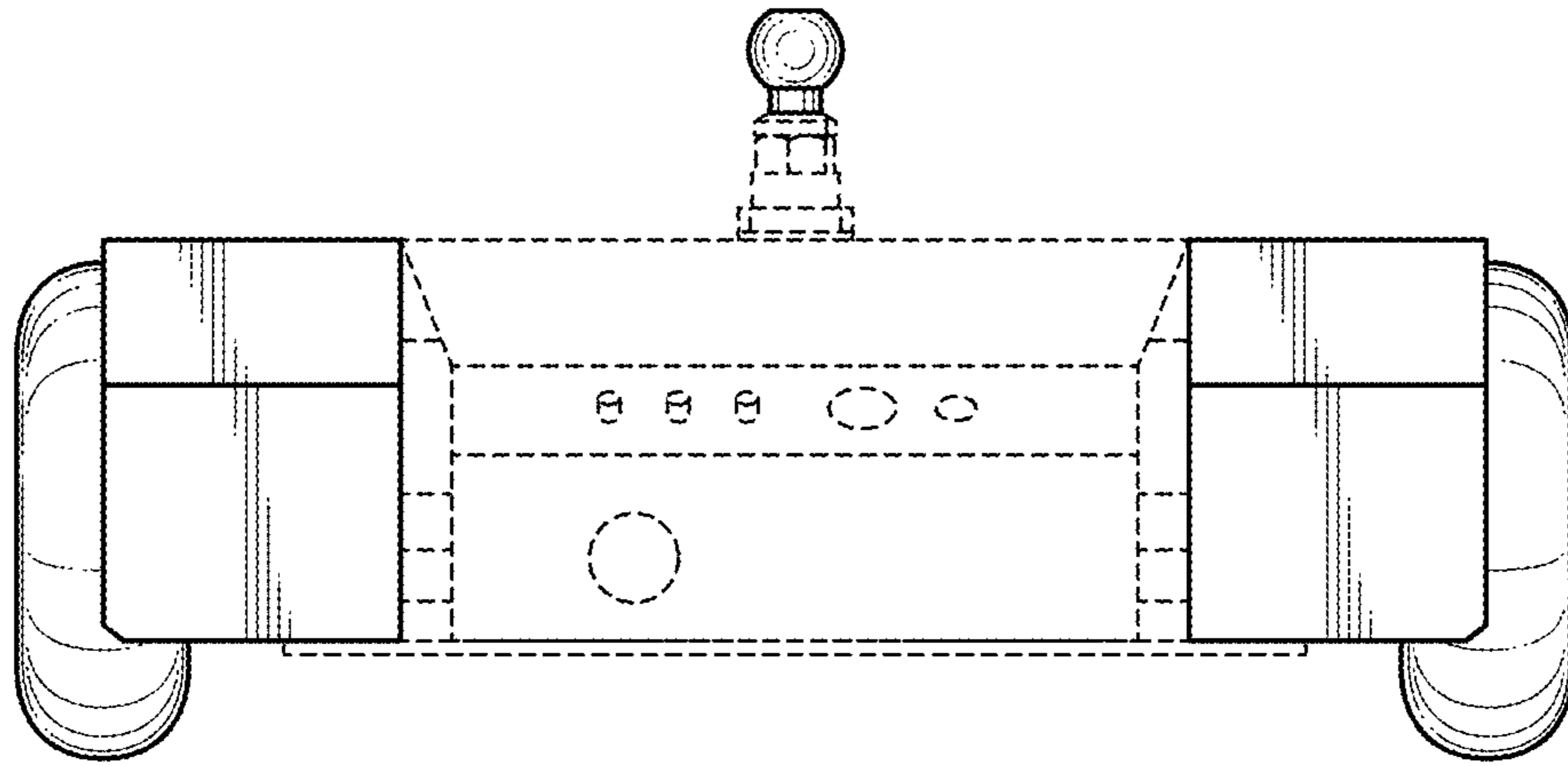
FIG. 3



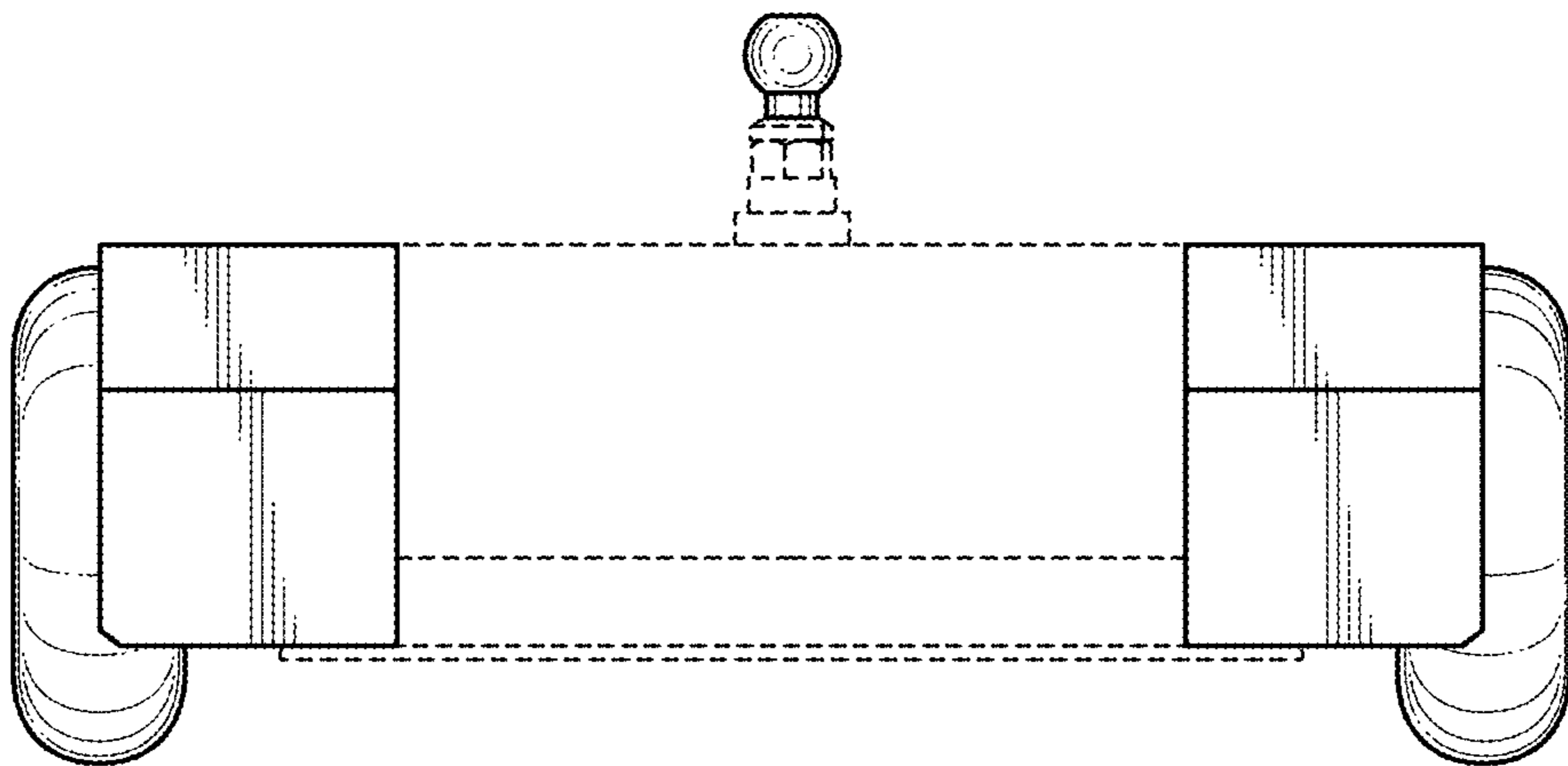
**FIG. 4**



**FIG. 5**



**FIG. 6**



**FIG. 7**