



US00D934521S

(12) **United States Design Patent** (10) **Patent No.:** **US D934,521 S**
Piksa (45) **Date of Patent:** **** Oct. 26, 2021**

(54) **SPRAY MOP**
(71) Applicant: **Thane IP Limited**, Portsmouth (GB)
(72) Inventor: **Jelenko Piksa**, Toronto (CA)
(73) Assignee: **THANE IP LIMITED**, Cosham (GB)
(**) Term: **15 Years**
(21) Appl. No.: **29/712,316**

D866,894 S * 11/2019 McDonnell D32/45
D912,357 S * 3/2021 Ross D32/50
D912,358 S * 3/2021 Brugora D32/50
D915,703 S * 4/2021 Harrington D32/50
2003/0126710 A1* 7/2003 Policicchio B08B 1/00
15/228
2004/0141798 A1* 7/2004 Garabedian, Jr. A47L 13/22
401/279
2005/0022843 A1* 2/2005 Policicchio A47L 13/16
134/6
2014/0076359 A1* 3/2014 Hansen A47L 11/4047
134/6

(Continued)

(22) Filed: **Nov. 7, 2019**

(30) **Foreign Application Priority Data**

Aug. 13, 2019 (EM) 006708848-0001

(51) **LOC (13) Cl.** **07-05**

(52) **U.S. Cl.**
USPC **D32/45**

(58) **Field of Classification Search**
USPC D32/15, 17, 22, 24, 40, 45, 50-52
CPC . B08B 3/00; A47L 11/34; A47L 13/12; A47L
13/22; A47L 11/30
See application file for complete search history.

(56) **References Cited**

U.S. PATENT DOCUMENTS

D458,427 S * 6/2002 Kunkler D32/45
D482,829 S * 11/2003 Vosbikian D32/45
D486,949 S * 2/2004 Hall D32/45
D487,174 S * 2/2004 Colman D32/45
D505,762 S * 5/2005 Lalanne D32/45
D507,088 S * 7/2005 Chi-Hsiang D32/45
D597,269 S * 7/2009 McNeil D32/45
D602,218 S * 10/2009 Koenig D32/40
D661,036 S * 5/2012 Raven D32/45
D673,748 S * 1/2013 Snyder D32/50
D685,968 S * 7/2013 Smith D32/45
9,420,932 B2 * 8/2016 Hansen A47L 13/225
D806,338 S * 12/2017 Metzel D32/45
10,383,502 B1 * 8/2019 McDonnell A47L 13/24

OTHER PUBLICATIONS

Spray Mop | WOCA Wood Care | Woca Woodcare, website 2020, <https://wocawoodcare.com/products/woca-spray-mop>, site visited Oct. 22, 2020.*

Primary Examiner — John R Yeh
(74) *Attorney, Agent, or Firm* — Bereskin & Parr
LLP/S.E.N.C.R.L., S.R.L.

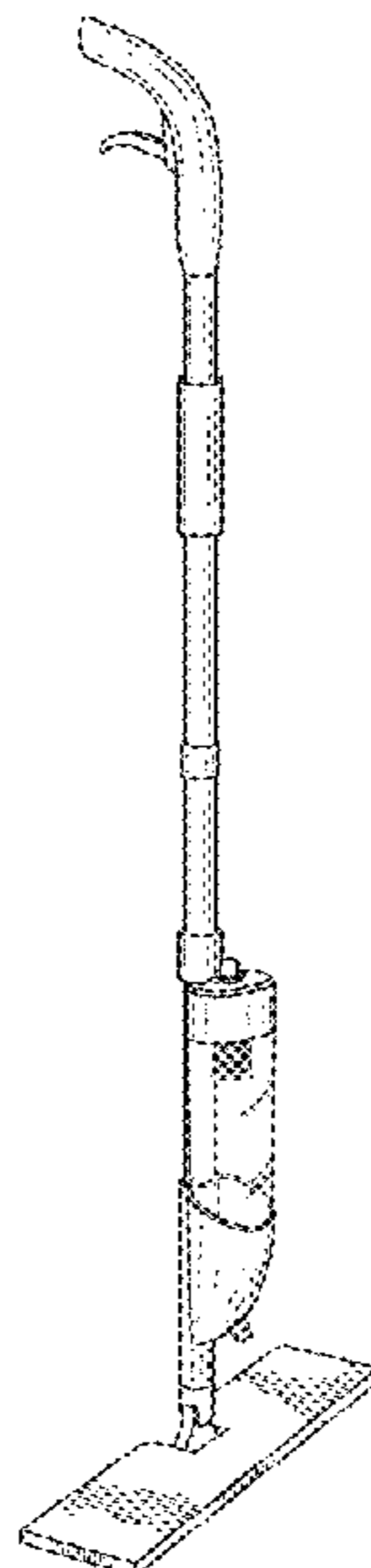
(57) **CLAIM**

The ornamental design for a spray mop, as shown and described.

DESCRIPTION

FIG. 1 is a front, left side perspective view of a spray mop showing my new design;
FIG. 2 is a rear, right side perspective view thereof;
FIG. 3 is rear elevation view thereof;
FIG. 4 is front elevation view thereof;
FIG. 5 is left side elevation view thereof; and,
FIG. 6 is right side elevation view thereof.
Shading lines are to show contours rather than surface ornamentation.
The bottom view of the spray mop forms no part of the claimed design and is not shown.

1 Claim, 5 Drawing Sheets



(56)

References Cited

U.S. PATENT DOCUMENTS

2015/0082570 A1* 3/2015 Davidshofer A47L 13/22
15/228
2018/0360290 A1* 12/2018 Perry A47L 13/225
2019/0274514 A1* 9/2019 Leao B05B 11/3057

* cited by examiner

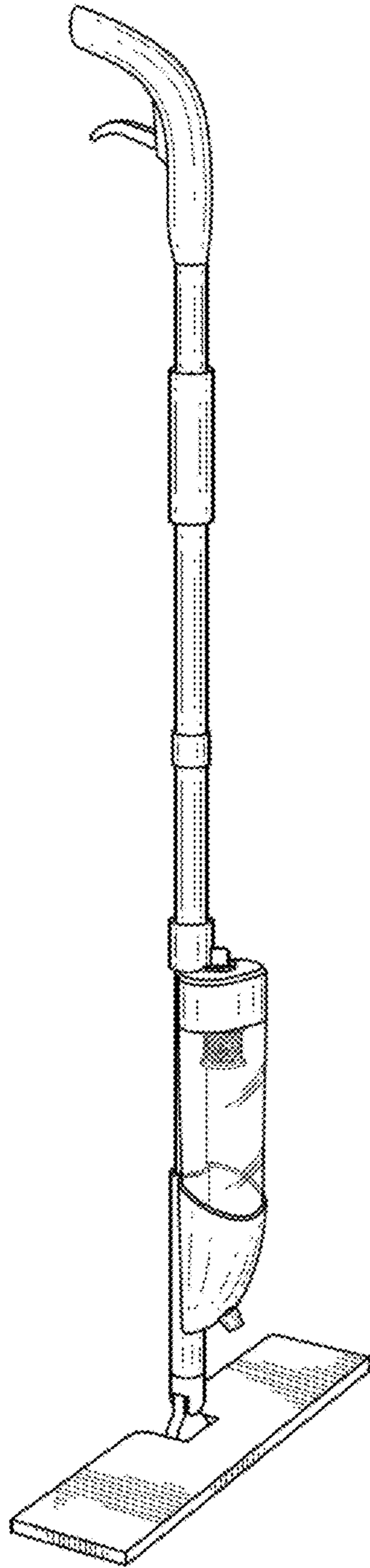


FIG. 1

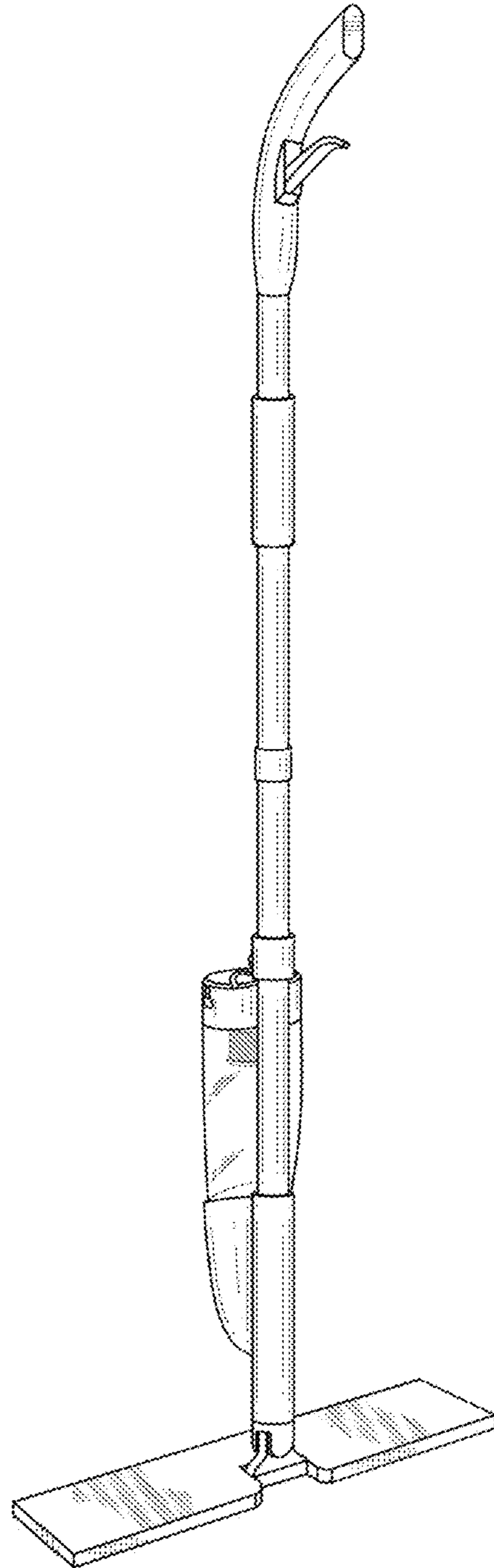


FIG. 2

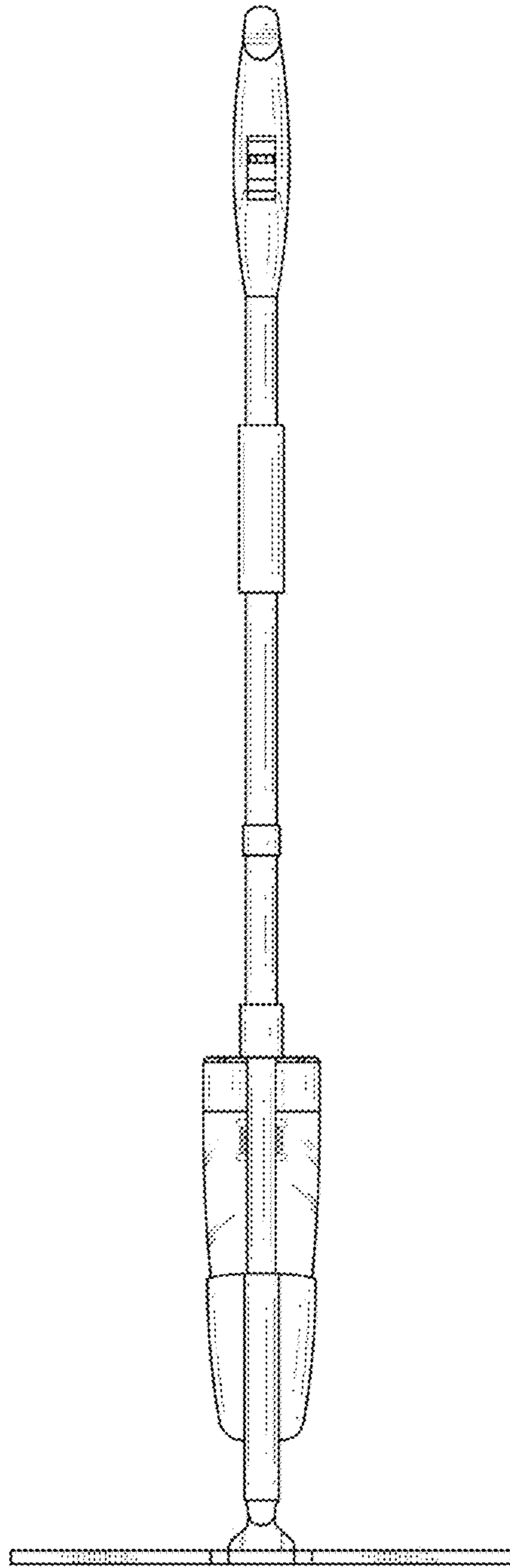


FIG. 3

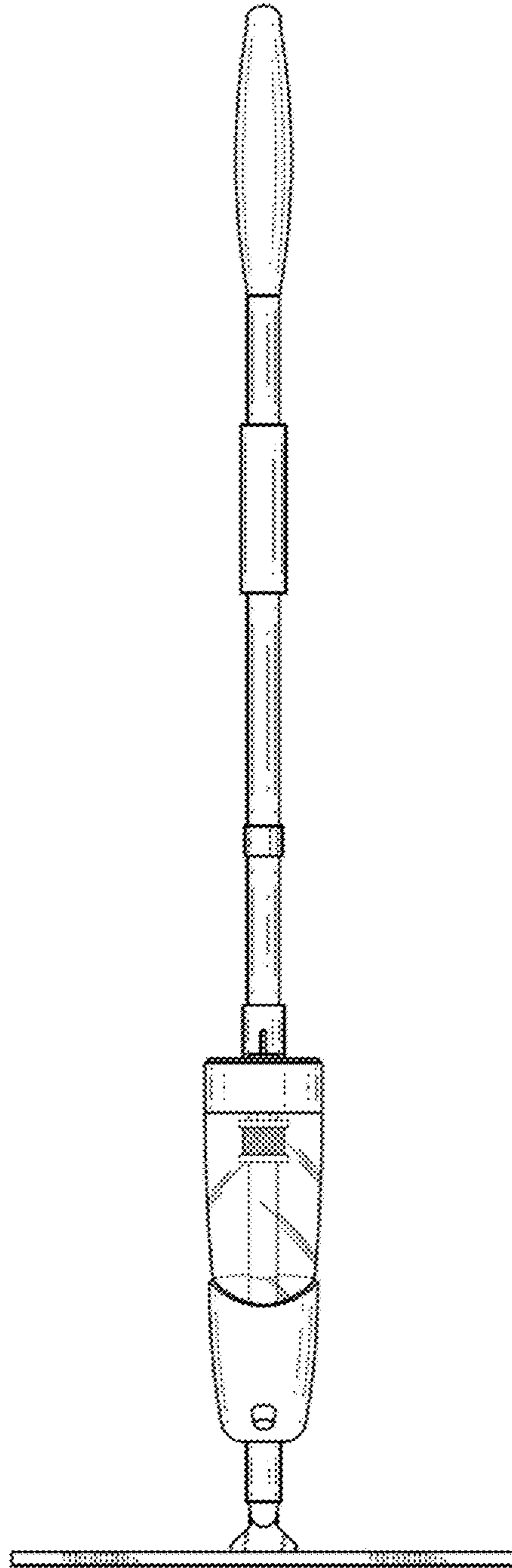


FIG. 4

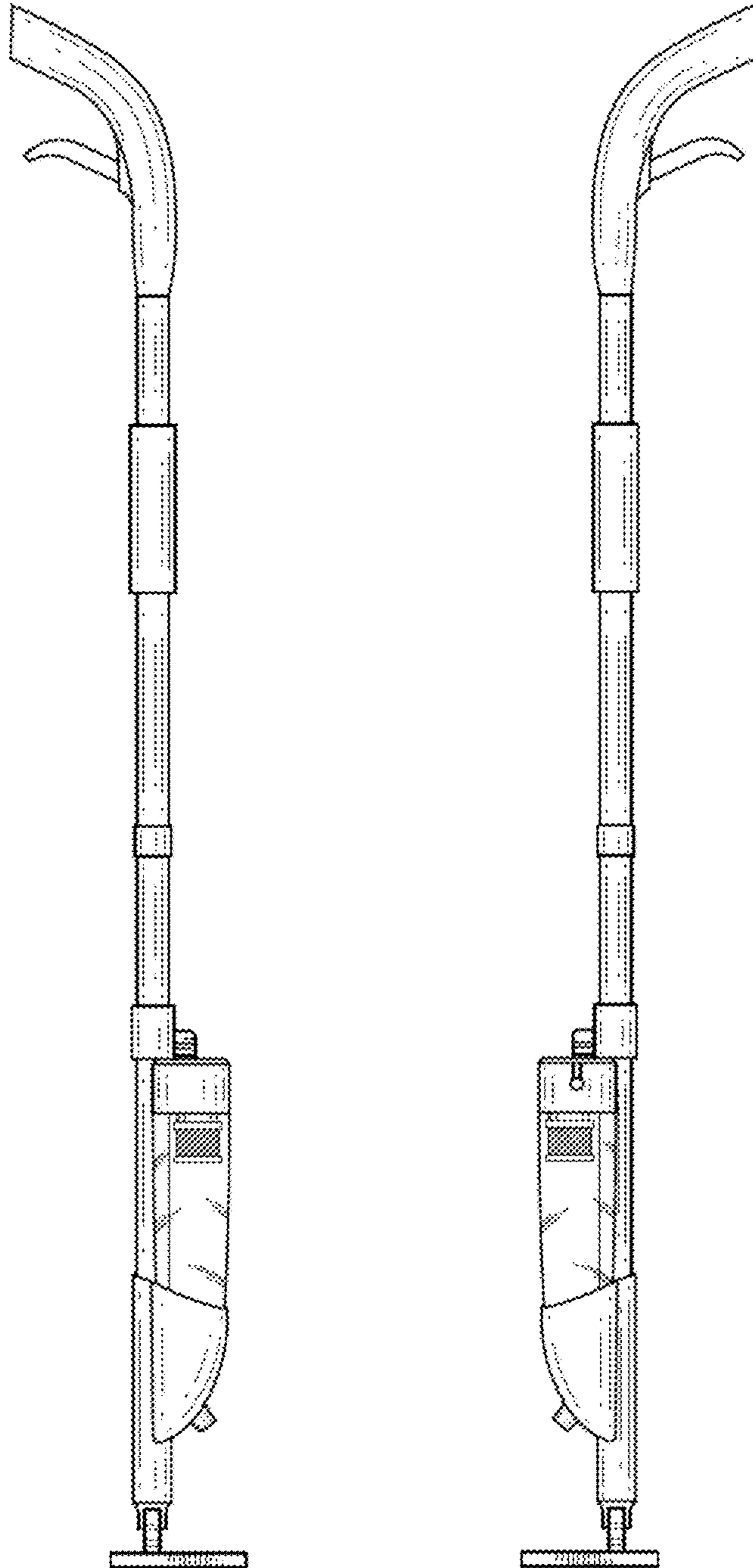


FIG. 5

FIG. 6