



US00D934520S

(12) **United States Design Patent** (10) **Patent No.:** **US D934,520 S**
Tyroler (45) **Date of Patent:** **** Oct. 26, 2021**

(54) **SQUEEGEE**
(71) Applicant: **Tyroler Ltd.**, Neve Yamin (IL)
(72) Inventor: **Dan Tyroler**, Neve Yamin (IL)
(73) Assignee: **TYROLER LTD.**, Neve Yamin (IL)

D635,315 S * 3/2011 Wertz D32/32
D704,911 S * 5/2014 Albo D32/41
D709,757 S * 7/2014 Yang D8/395
D771,338 S * 11/2016 Smith D32/41
D773,141 S * 11/2016 Chitayat D32/41
D844,273 S * 3/2019 Mitchell A47L 13/11
D32/41

(**) Term: **15 Years**

(Continued)

(21) Appl. No.: **29/698,303**
(22) Filed: **Jul. 16, 2019**

FOREIGN PATENT DOCUMENTS

CN 305259023 * 7/2019
WO WO D2100084-005 * 9/2009

(30) **Foreign Application Priority Data**

Mar. 5, 2019 (CN) 201930087195.1

OTHER PUBLICATIONS

Tyroler website Floor Squeegee, Wayback Machine date Dec. 3, 2020, site visited Feb. 27, 2020, <https://tyrolerltd.com/squeegees/flexible-silicone-squeegee/>.*

(51) **LOC (13) Cl.** **07-05**

(Continued)

(52) **U.S. Cl.**
USPC **D32/41**

(58) **Field of Classification Search**
USPC D32/41, 46, 49-52; D7/688; D8/105;
D4/104, 138; D18/56; D10/14
CPC A47L 13/10; A47L 13/12; B60S 3/04
See application file for complete search history.

Primary Examiner — John R Yeh
(74) *Attorney, Agent, or Firm* — The Roy Gross Law Firm, LLC; Roy Gross

(56) **References Cited**

(57) **CLAIM**

The ornamental design for squeegee, as shown and described.

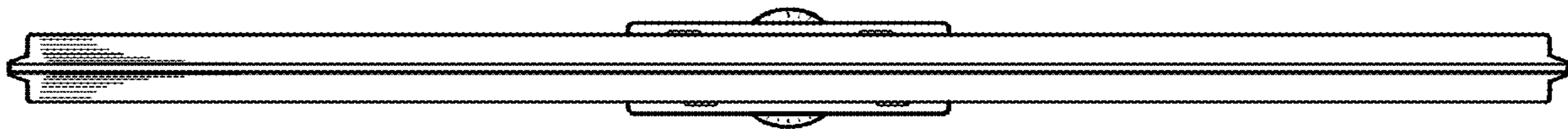
U.S. PATENT DOCUMENTS

DESCRIPTION

2,771,626 A * 11/1956 Toothman A47L 1/06
15/245
3,724,017 A * 4/1973 Mallory A47L 1/06
15/121
4,716,616 A * 1/1988 Poon A47L 13/11
15/144.1
D313,295 S * 12/1990 Maertens D32/42
D315,975 S * 4/1991 Huang D32/41
D332,331 S * 1/1993 Hansen D32/41
D355,061 S * 1/1995 Stokes D32/41
D357,563 S * 4/1995 Vosbikian D32/41
D362,934 S * 10/1995 Hansen D32/41
D517,758 S * 3/2006 Hay D32/41
D569,566 S * 5/2008 Pfitzinger D32/46
D634,496 S * 3/2011 Porco D32/41

FIG. 1 is a bottom view of a squeegee in accordance with the new design;
FIG. 2 is a front view thereof;
FIG. 3 is a top view thereof;
FIG. 4 is a rear view thereof;
FIG. 5 is a side view thereof;
FIG. 6 is a front perspective view thereof; and,
FIG. 7 is a bottom perspective view thereof.
The broken lines in the figures depict portions of the squeegee that form no part of the claimed design.

1 Claim, 2 Drawing Sheets



(56)

References Cited

U.S. PATENT DOCUMENTS

10,327,620 B2 * 6/2019 Tyroler A47L 13/11
2002/0078519 A1 * 6/2002 Boothby A47L 13/12
15/121
2003/0135942 A1 * 7/2003 Bastien A47L 1/06
15/121

OTHER PUBLICATIONS

Flexible Floor Squeegee 30cm/12in 100% Silicone—Tyroler, web-
site 2021, <https://tyrolerltd.com/squeegee/silicone-knuckle-joint-squeegee-30>, site visited Feb. 27, 2021.*

* cited by examiner

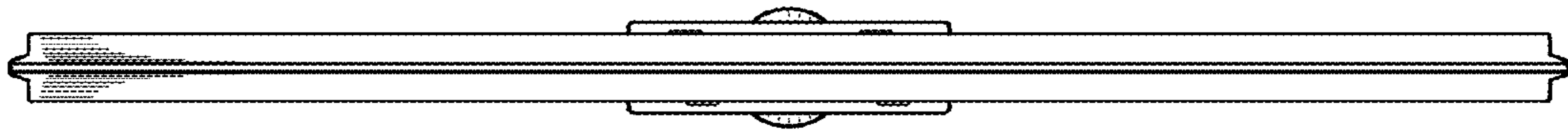


FIG. 1

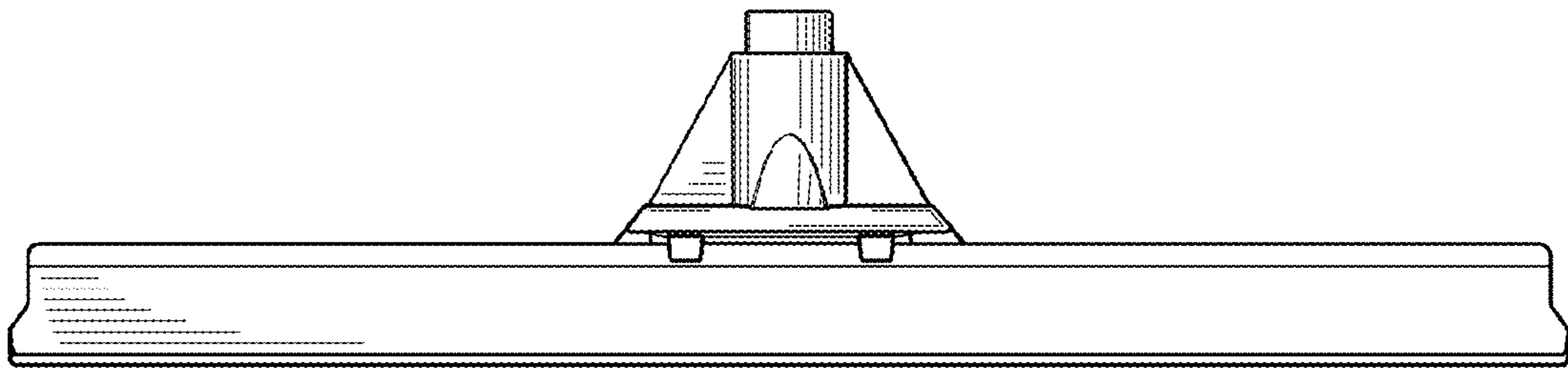


FIG. 2

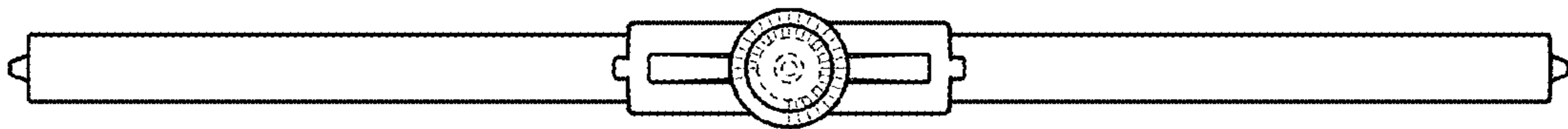


FIG. 3

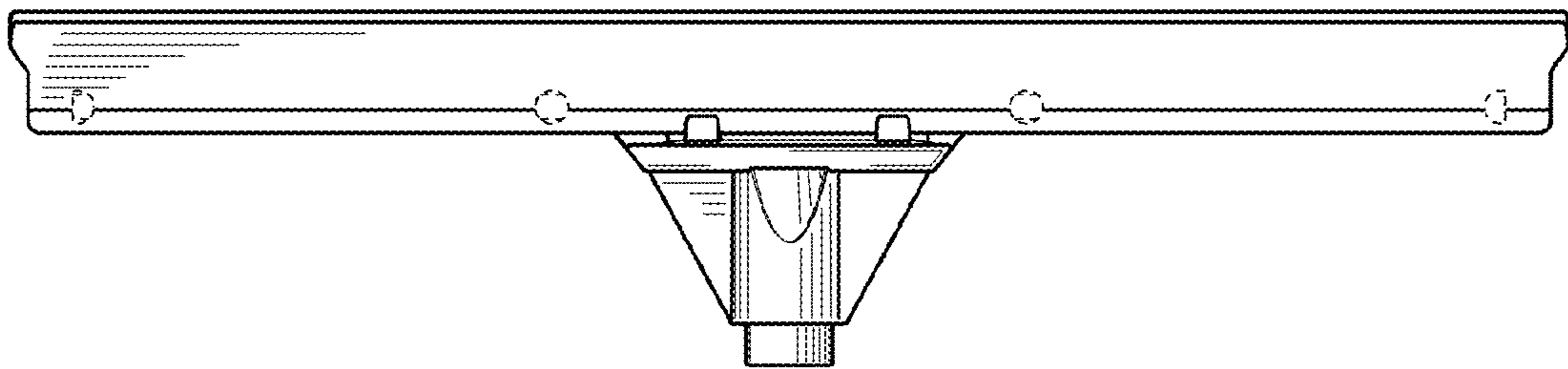


FIG. 4

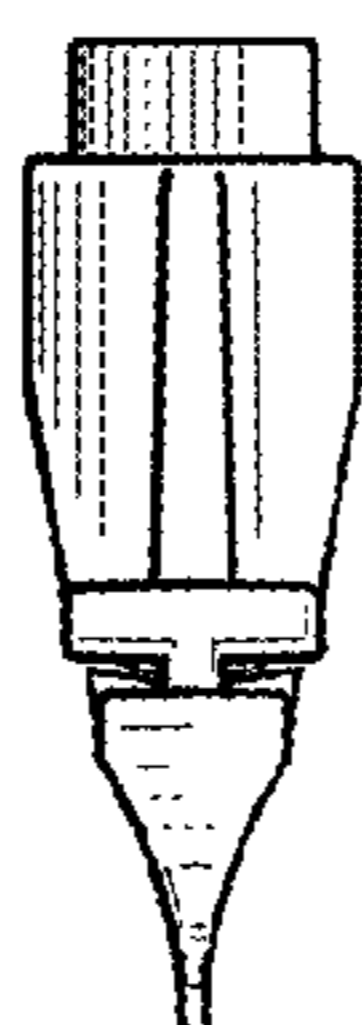


FIG. 5

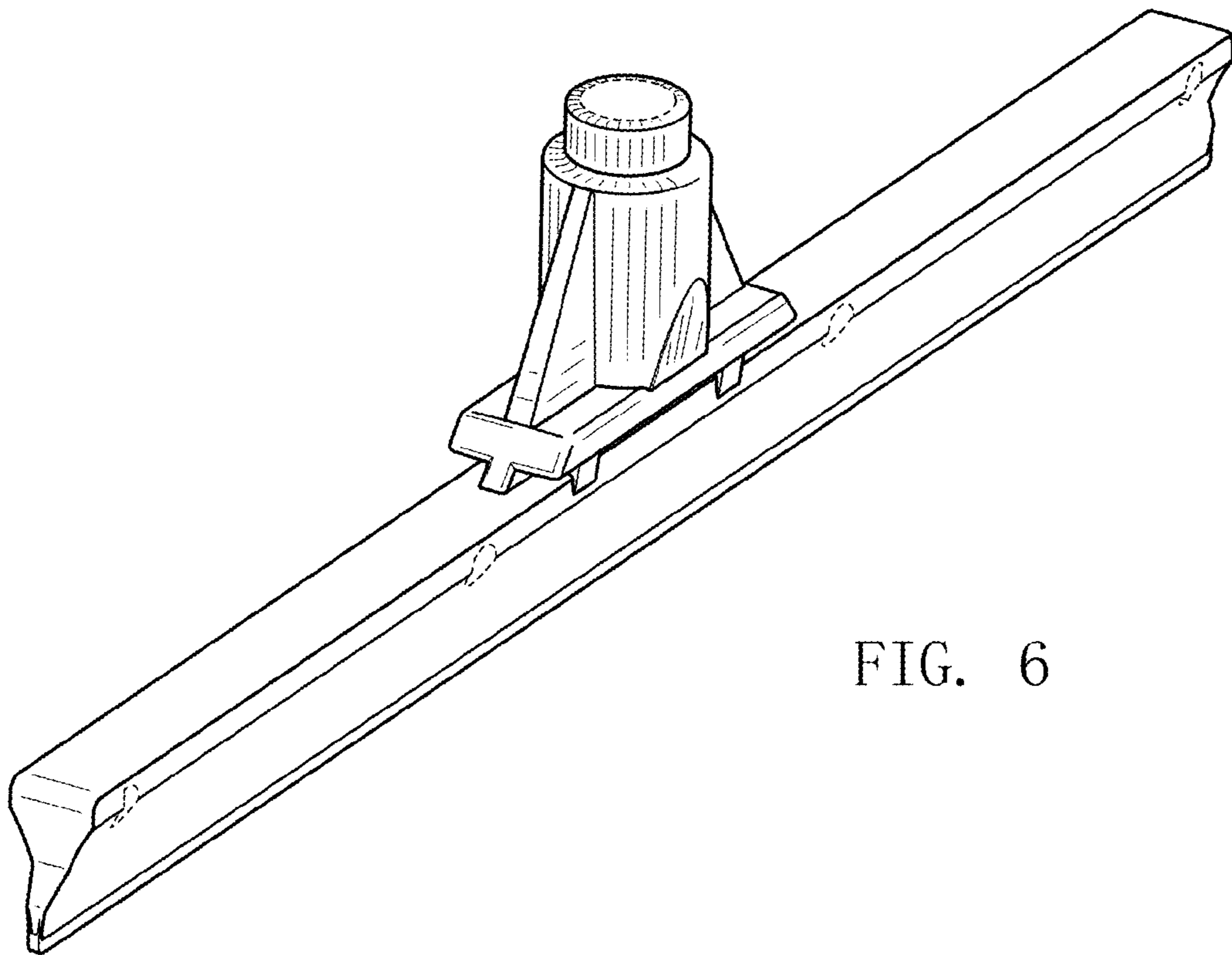


FIG. 6

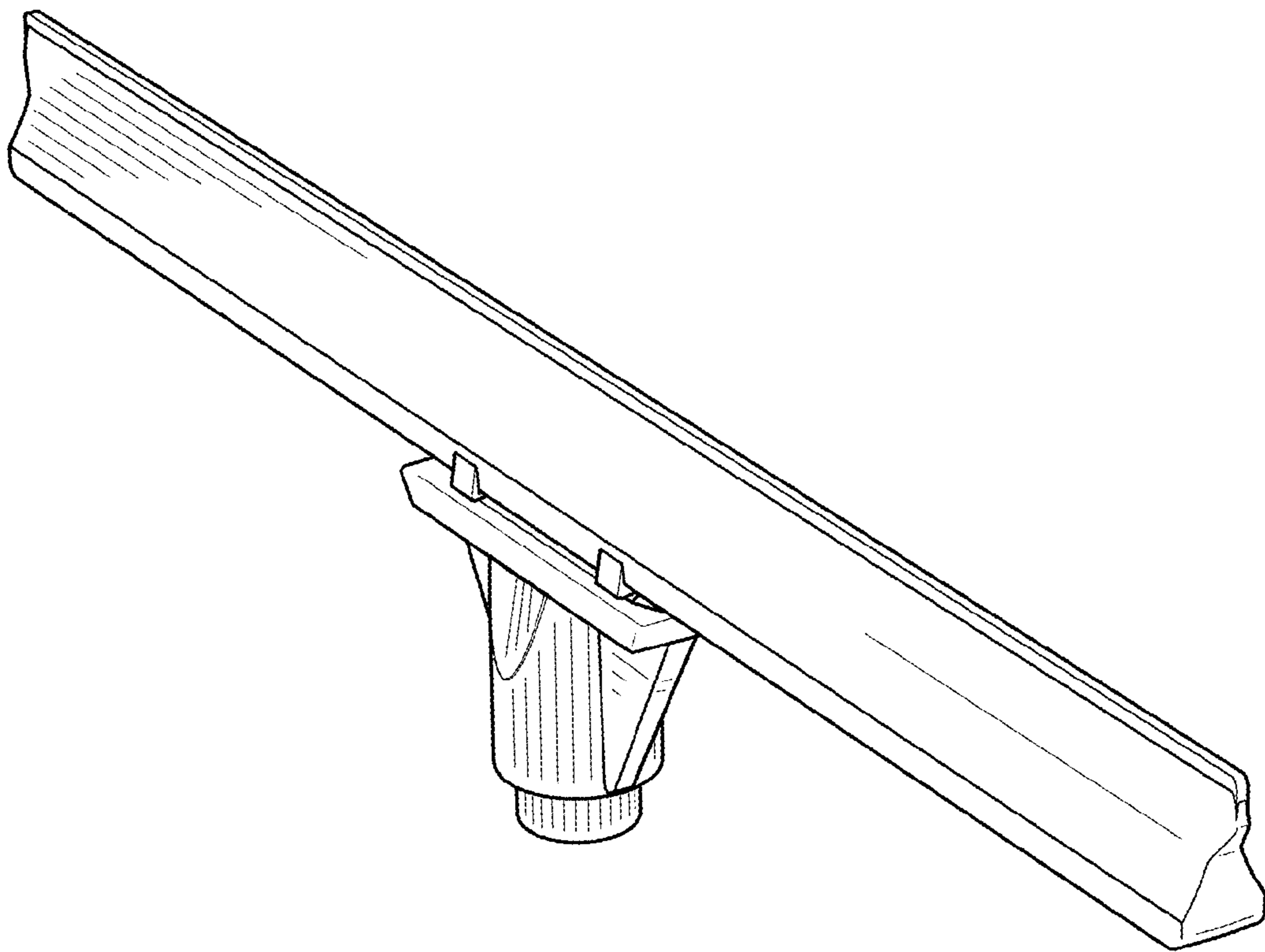


FIG. 7