



US00D934519S

(12) **United States Design Patent**  
**Knapp et al.**

(10) **Patent No.:** **US D934,519 S**  
(45) **Date of Patent:** **\*\* Oct. 26, 2021**

(54) **MULTI-SURFACE VACUUM CLEANER**

(71) Applicant: **BISSELL Inc.**, Grand Rapids, MI (US)

(72) Inventors: **Mackenzie L. Knapp**, Saranac, MI (US); **David M. Miller**, Zeeland, MI (US); **Colin J. Bloemendaal**, Grand Rapids, MI (US)

(73) Assignee: **BISSELL Inc.**, Grand Rapids, MI (US)

(\*\*) Term: **15 Years**

(21) Appl. No.: **29/772,828**

(22) Filed: **Mar. 4, 2021**

**Related U.S. Application Data**

(62) Division of application No. 29/684,314, filed on Mar. 20, 2019, now Pat. No. Des. 917,810.

(51) **LOC (13) Cl.** ..... **15-05**

(52) **U.S. Cl.**  
USPC ..... **D32/22**

(58) **Field of Classification Search**  
USPC ..... D32/21, 22, 32, 33, 38, 39, 41, 50  
CPC ... A46B 15/0053; A47L 13/225; A47L 5/225;  
A47L 5/24; A47L 5/28; A47L 5/30; A47L  
5/34; A47L 5/36; A47L 5/38; A47L 9/02;  
(Continued)

(56) **References Cited**

**U.S. PATENT DOCUMENTS**

D56,947 S \* 1/1921 Sheffler ..... D32/32  
D575,916 S 8/2008 Stein et al.  
(Continued)

**FOREIGN PATENT DOCUMENTS**

CA 200468 \* 3/2021  
CN 305744639 4/2020  
(Continued)

**OTHER PUBLICATIONS**

BISSELL Icon Cordless, available in Amazon.com, date first available Nov. 22, 2019 [online], [site visited Jun. 15, 2021, Available from the internet URL: [https://www.amazon.co.uk/BISSELL-Cordless-Tangle-Free-Brushroll-2602B/dp/B07WX4YC5N/ref=sr\\_1\\_21?dchild=1&keywords=bissell&qid=1623839258&sr=8-21](https://www.amazon.co.uk/BISSELL-Cordless-Tangle-Free-Brushroll-2602B/dp/B07WX4YC5N/ref=sr_1_21?dchild=1&keywords=bissell&qid=1623839258&sr=8-21) (Year: 2019).\*

(Continued)

*Primary Examiner* — Dana K Weiland

*Assistant Examiner* — Jennylou M Binas

(74) *Attorney, Agent, or Firm* — Warner Norcross + Judd LLP

(57) **CLAIM**

The ornamental design for a multi-surface vacuum cleaner, as shown and described.

**DESCRIPTION**

FIG. 1 is a front perspective view of a multi-surface vacuum cleaner showing our new design;

FIG. 2 is a front view thereof;

FIG. 3 is a left side view thereof, the right side being a mirror image;

FIG. 4 is an enlarged top view of the multi-surface vacuum cleaner;

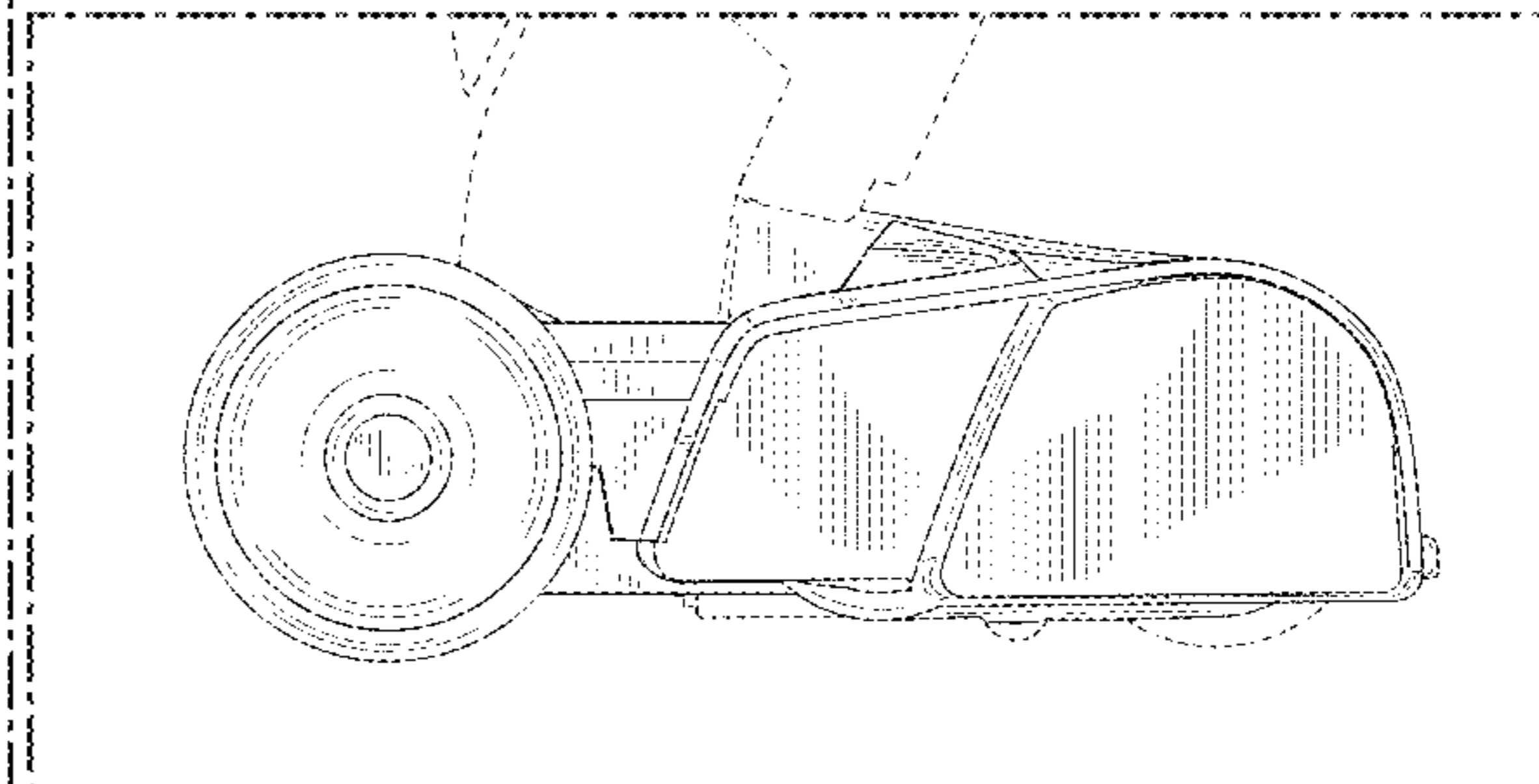
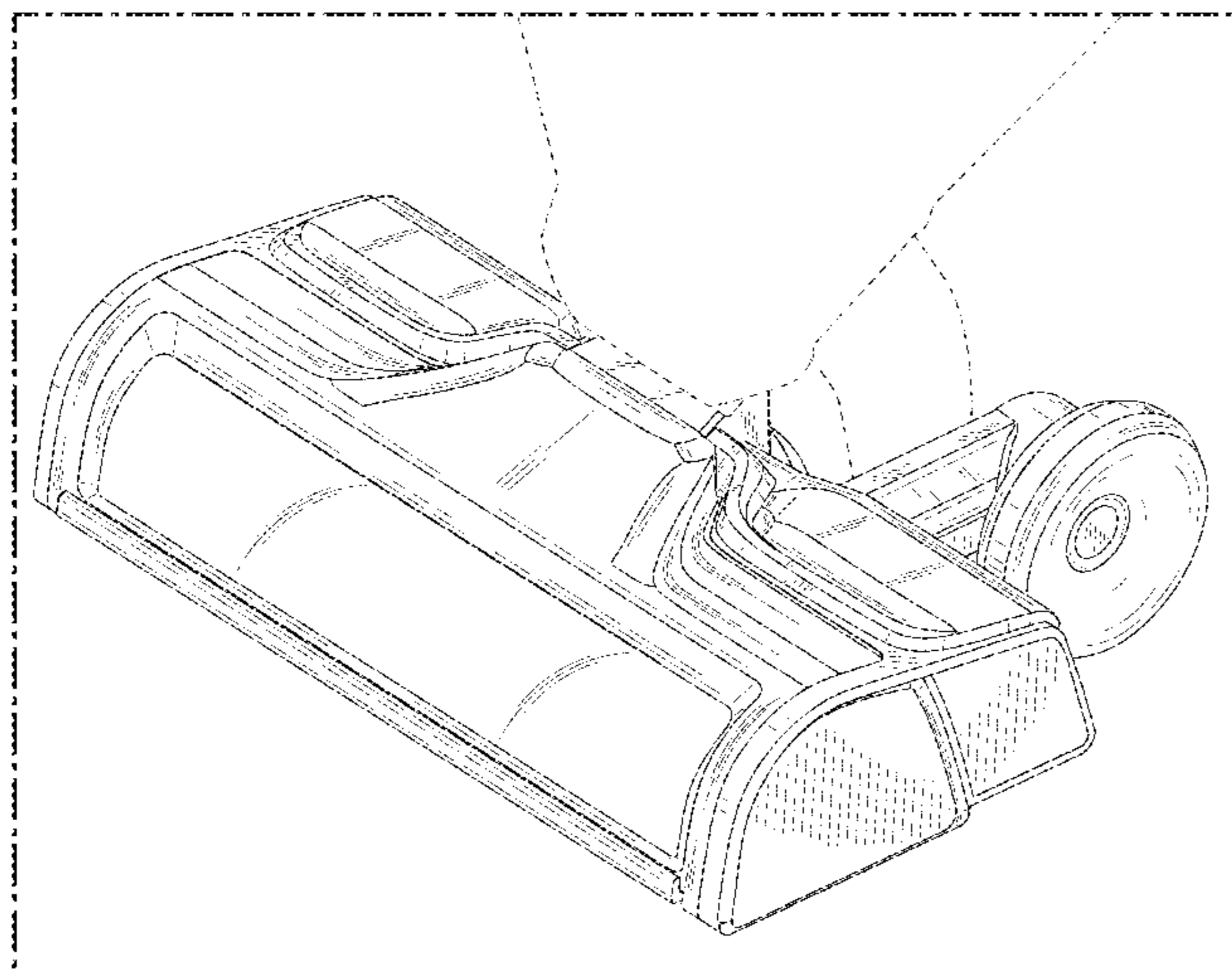
FIG. 5 is an enlarged view of the multi-surface vacuum cleaner shown within the area designated as 5 in FIG. 1;

FIG. 6 is an enlarged view of the multi-surface vacuum cleaner shown within the area designated as 6 in FIG. 2; and,

FIG. 7 is an enlarged view of the multi-surface vacuum cleaner shown within the area designated as 3 in FIG. 3.

The details of the multi-surface vacuum cleaner shown in broken lines form no part of the claimed design. The oblique shade lines in FIGS. 1, 2, 4, 5, and 6 show transparency or translucency. The dot-dashed broken line in FIGS. 5-7 show a boundary of the enlarged view and forms no part of the claimed design.

**1 Claim, 7 Drawing Sheets**



(58) **Field of Classification Search**

CPC .... A47L 9/0411; A47L 9/0422; A47L 9/0461;  
 A47L 9/0693; A47L 9/325; A47L 11/20;  
 A47L 11/24; A47L 11/26; A47L 11/302;  
 A47L 11/32; A47L 11/34; A47L 11/4041;  
 B04C 5/185; B08B 1/002; B08B 9/035;  
 B60S 1/52; B23Q 11/0046; B23Q  
 11/0071; E01H 1/0854; E04H 4/1636

See application file for complete search history.

(56) **References Cited**

U.S. PATENT DOCUMENTS

|            |    |   |         |                  |       |            |
|------------|----|---|---------|------------------|-------|------------|
| D599,513   | S  | * | 9/2009  | Dyson            | ..... | D32/32     |
| D600,869   | S  | * | 9/2009  | Dyson            | ..... | D32/32     |
| D621,111   | S  | * | 8/2010  | Kim              | ..... | D32/32     |
| D722,410   | S  |   | 2/2015  | Raven et al.     |       |            |
| D728,878   | S  |   | 5/2015  | Johnson et al.   |       |            |
| D730,604   | S  |   | 5/2015  | Luedke et al.    |       |            |
| D759,919   | S  |   | 6/2016  | Smith et al.     |       |            |
| D770,109   | S  | * | 10/2016 | Chu, Jr.         | ..... | D32/32     |
| D773,137   | S  | * | 11/2016 | Niedzwecki       | ..... | D32/32     |
| D778,015   | S  |   | 1/2017  | Miller et al.    |       |            |
| D790,142   | S  |   | 6/2017  | Carr et al.      |       |            |
| D791,421   | S  |   | 7/2017  | Wu et al.        |       |            |
| D820,541   | S  | * | 6/2018  | Haverkamp        | ..... | D32/32     |
| D821,047   | S  |   | 6/2018  | Wrobleski et al. |       |            |
| 10,092,155 | B2 |   | 10/2018 | Xia              |       |            |
| D839,520   | S  | * | 1/2019  | Hribar-Green     | ..... | D32/33     |
| D850,040   | S  | * | 5/2019  | Wrobleski        | ..... | D32/32     |
| 10,512,383 | B2 |   | 12/2019 | Luyckx et al.    |       |            |
| D877,434   | S  | * | 3/2020  | Burgess          | ..... | D32/31     |
| D879,397   | S  | * | 3/2020  | Kim              | ..... | D32/32     |
| D879,398   | S  | * | 3/2020  | Burgess          | ..... | D32/32     |
| D880,089   | S  | * | 3/2020  | Kim              | ..... | D32/32     |
| D880,090   | S  | * | 3/2020  | Tokoi            | ..... | D32/32     |
| D881,493   | S  | * | 4/2020  | Lee              | ..... | D32/33     |
| D882,894   | S  | * | 4/2020  | Lee              | ..... | D32/33     |
| 10,631,702 | B2 |   | 4/2020  | Xia et al.       |       |            |
| 10,820,769 | B2 |   | 11/2020 | Xia et al.       |       |            |
| D912,348   | S  | * | 3/2021  | Choi             | ..... | D32/32     |
| 11,071,428 | B2 | * | 7/2021  | Resch            | ..... | A47L 11/19 |

|              |     |         |                 |       |                       |
|--------------|-----|---------|-----------------|-------|-----------------------|
| 2006/0162119 | A1* | 7/2006  | Smith           | ..... | A47L 9/0416<br>15/388 |
| 2014/0259510 | A1  | 9/2014  | Conrad          |       |                       |
| 2016/0135656 | A1  | 5/2016  | Grove           |       |                       |
| 2016/0150938 | A1  | 6/2016  | Grove           |       |                       |
| 2017/0119225 | A1  | 5/2017  | Xia et al.      |       |                       |
| 2018/0110388 | A1  | 4/2018  | Xia et al.      |       |                       |
| 2019/0082925 | A1  | 3/2019  | Conrad et al.   |       |                       |
| 2019/0159646 | A1  | 5/2019  | Luyckx et al.   |       |                       |
| 2019/0365182 | A1  | 12/2019 | Manning et al.  |       |                       |
| 2020/0214527 | A1  | 7/2020  | Resch et al.    |       |                       |
| 2020/0268225 | A1  | 8/2020  | Ashbaugh et al. |       |                       |
| 2020/0405116 | A1  | 12/2020 | Resch et al.    |       |                       |
| 2020/0405117 | A1  | 12/2020 | Resch et al.    |       |                       |
| 2020/0405118 | A1  | 12/2020 | Resch et al.    |       |                       |

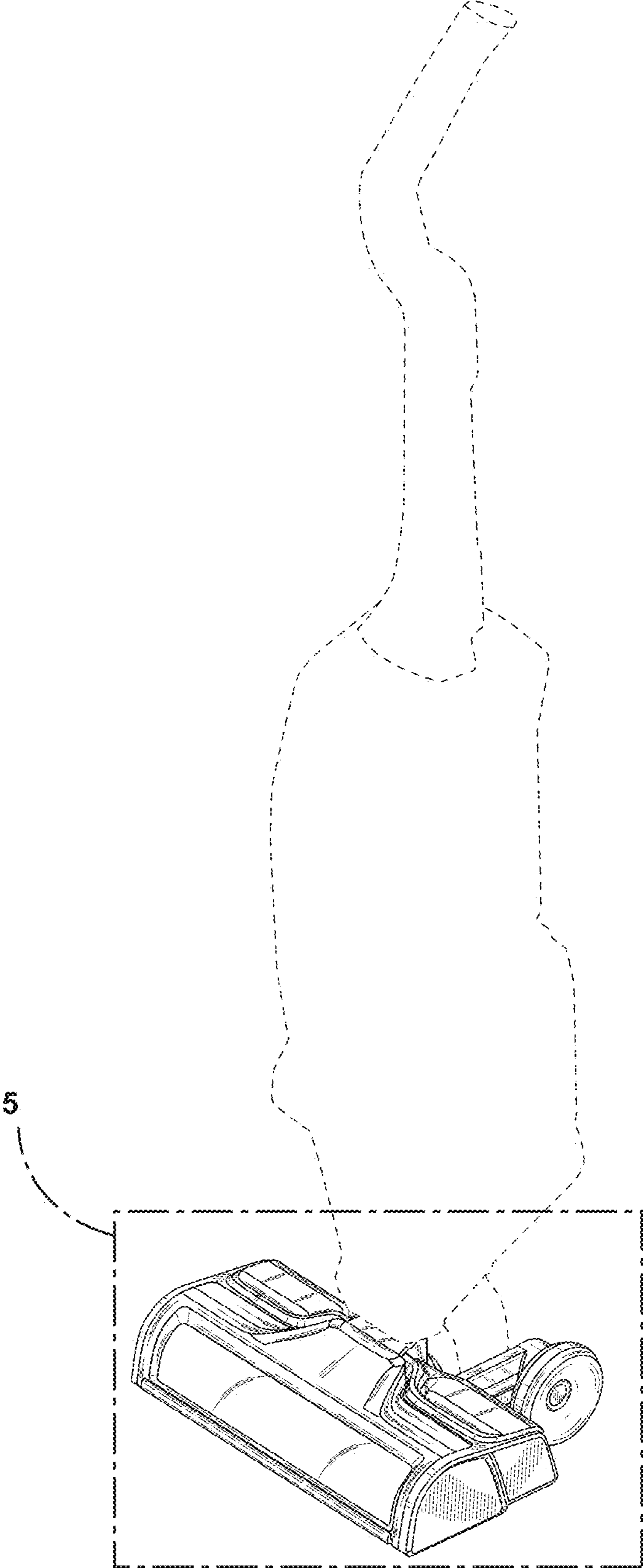
FOREIGN PATENT DOCUMENTS

|    |              |          |
|----|--------------|----------|
| EM | 6694774-0004 | 8/2019   |
| JP | D1656921     | 3/2020   |
| JP | D1656923     | 3/2020   |
| JP | D1668950     | * 9/2020 |

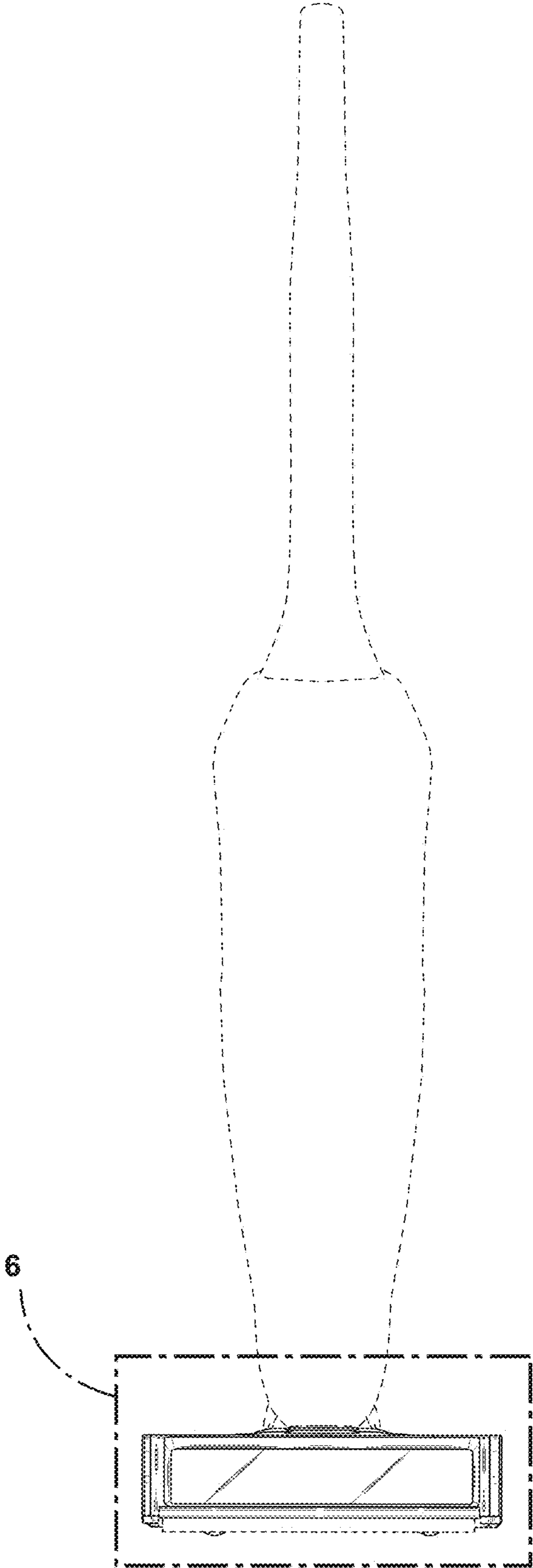
OTHER PUBLICATIONS

Bissell Crosswave User Guide 1785, 2210, 2211 Series, 2018.  
 Bissell Crosswave Pet Pro User Guide 2305, 2306 Series, 2017.  
 Oreck One PWR, observed on display and photos taken on Feb. 13, 2019 at the Oreck booth at the 2019 VDTA-SDTA International Trade Show and Convention in Las Vegas, NV, held Feb. 12-14, 2019.  
 "How to Perform Maintenance on your CrossWave Cordless MAX", announced in YouTube on date [online], [site visited Nov. 16, 2020], Available from the internet URL: <https://www.youtube.com/watch?v=hfjGK1VYMPU> (Year: 2019).  
 Bissell JetScrub Pet Upright Carpet Cleaner, available in Amazon.com, customer review oldest date Aug. 21, 2019 [online], [site visited Nov. 16, 2020], Available from the Internet URL: [https://www.amazon.com/dp/B07TCJNCF4/ref=cm\\_sw\\_r\\_em\\_apa\\_i\\_d1C\\_YTmMFbVBRK6GG?\\_encoding=UTF8&psc=1](https://www.amazon.com/dp/B07TCJNCF4/ref=cm_sw_r_em_apa_i_d1C_YTmMFbVBRK6GG?_encoding=UTF8&psc=1) (Year: 2019).

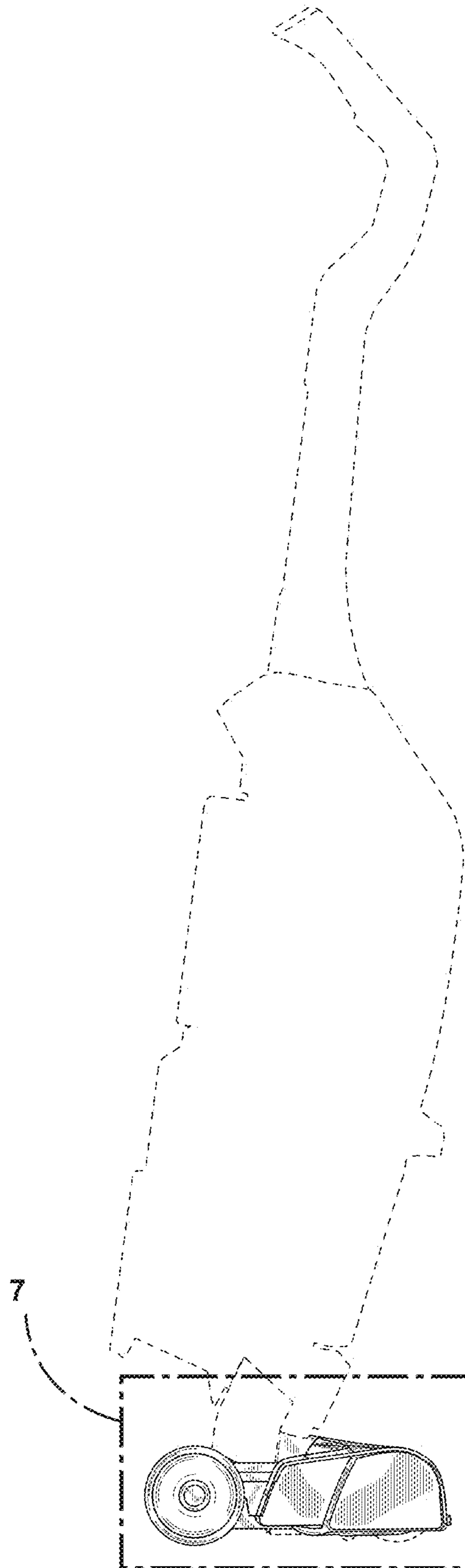
\* cited by examiner



**FIG. 1**



**FIG. 2**



**FIG. 3**

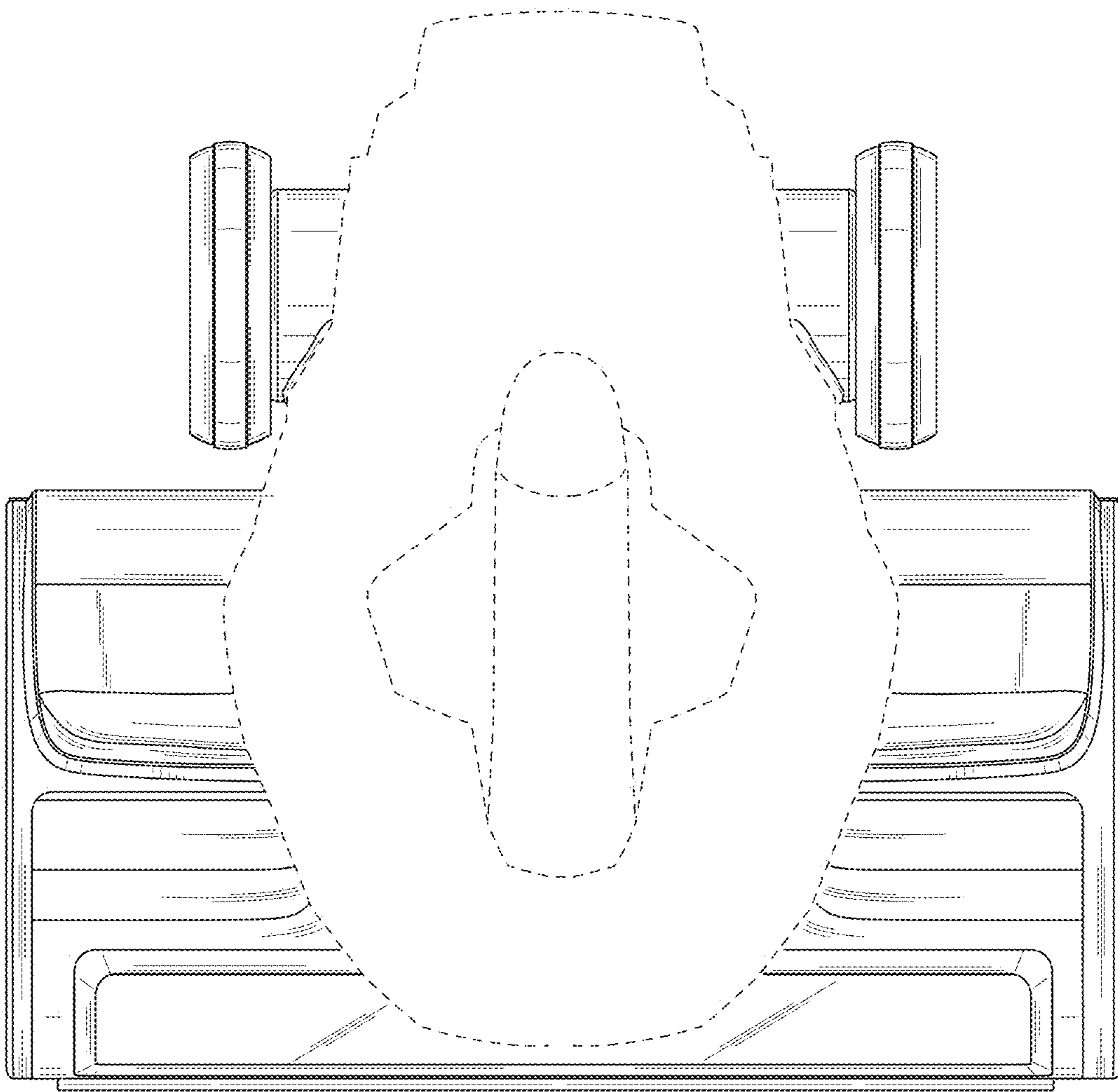
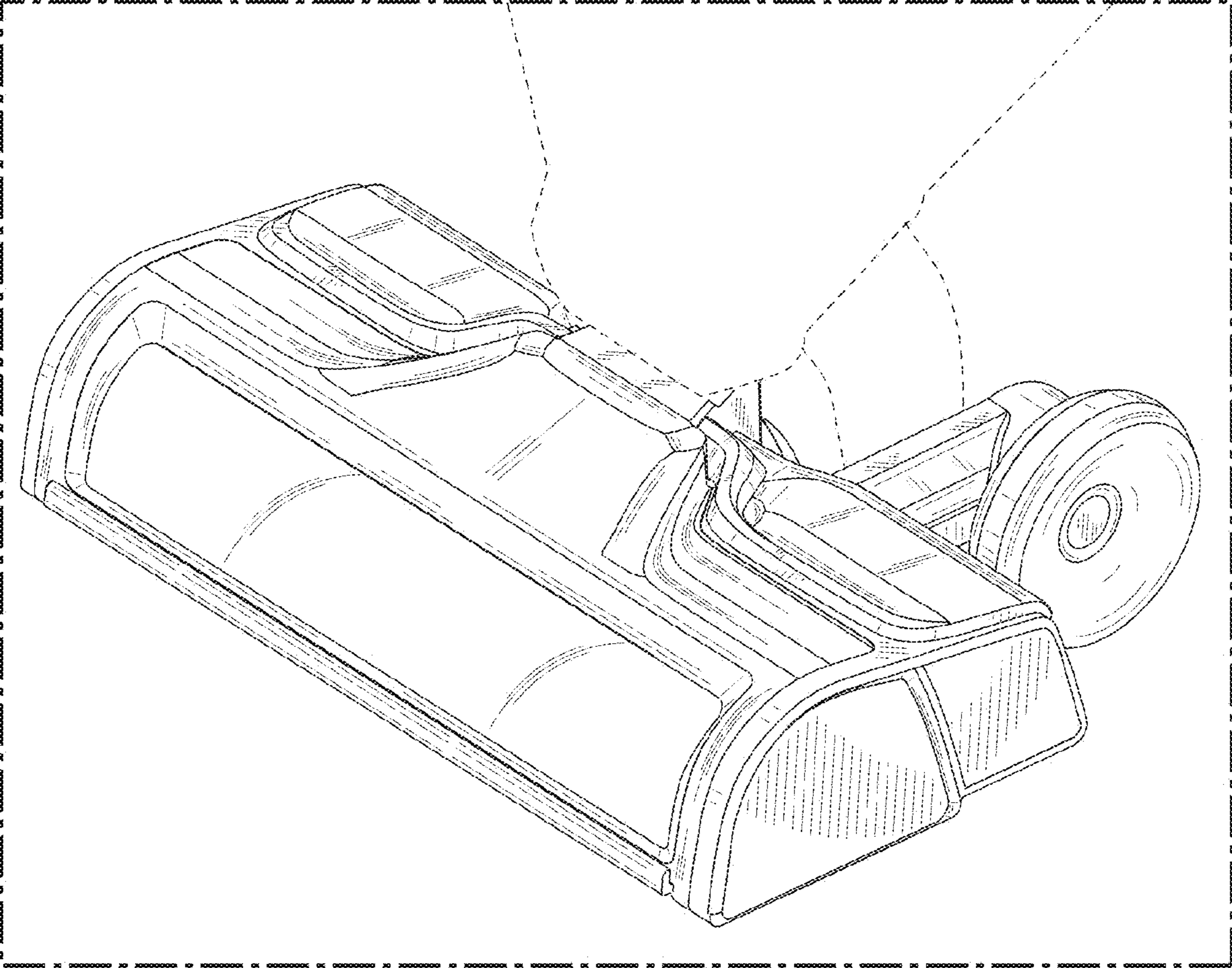
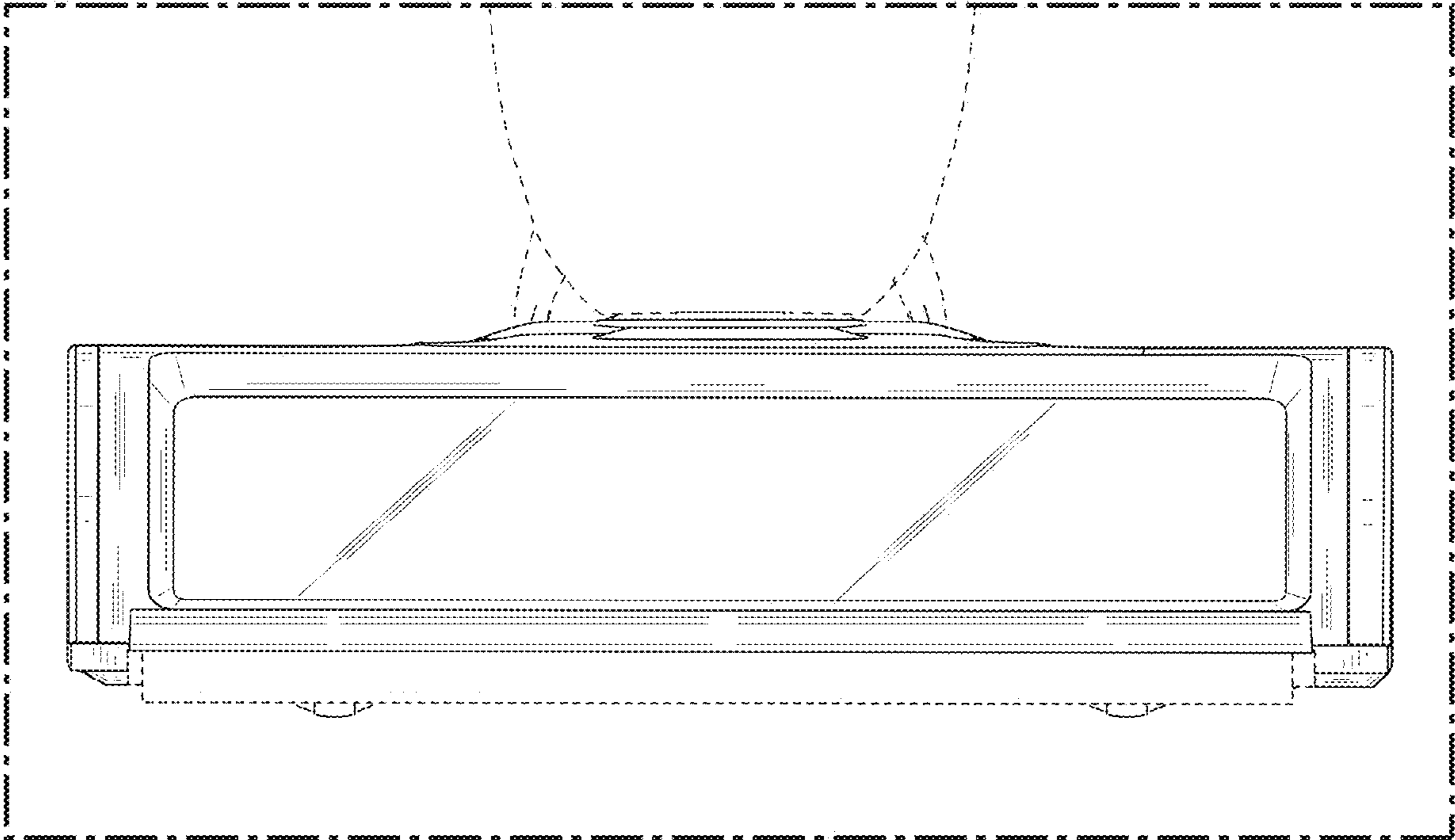


FIG. 4

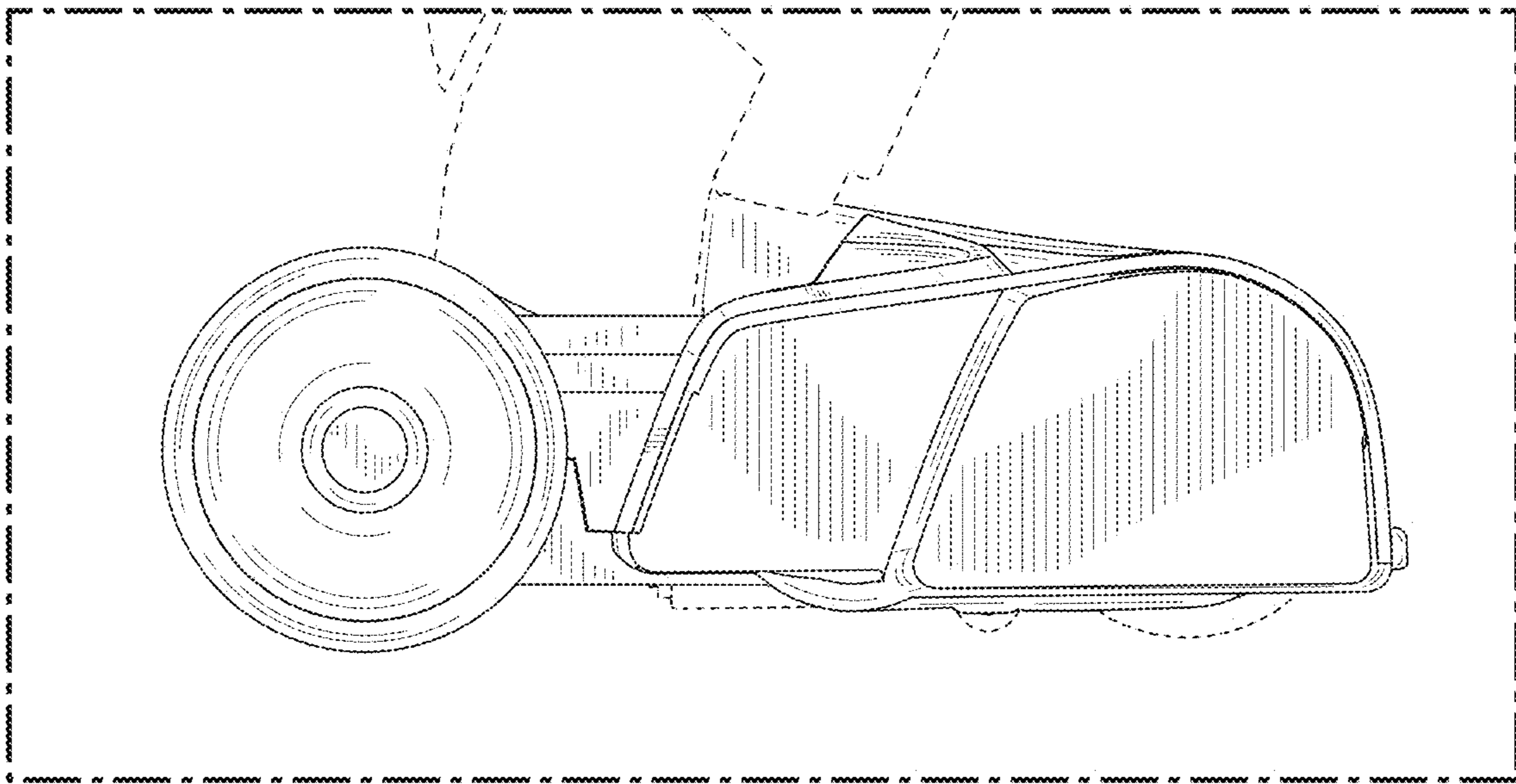


**FIG. 5**



**FIG. 6**





**FIG. 7**