

US00D934518S

(12) **United States Design Patent**  
**Wall et al.**

(10) **Patent No.:** **US D934,518 S**  
(45) **Date of Patent:** **\*\* Oct. 26, 2021**

- (54) **WET/DRY VACUUM CLEANER**
- (71) Applicant: **Emerson Electric Co.**, St. Louis, MO (US)
- (72) Inventors: **Alex J. Wall**, St. Louis, MO (US);  
**Douglas C. Schultz**, Glen Carbon, IL (US); **Phuong Le**, St. Charles, MO (US)
- (73) Assignee: **Emerson Electric Co.**, St. Louis, MO (US)
- (\*\*) Term: **15 Years**
- (21) Appl. No.: **29/710,807**
- (22) Filed: **Oct. 25, 2019**

- D443,739 S 6/2001 Young et al.
- D445,549 S 7/2001 Griffin
- D447,609 S 9/2001 Hult et al.
- (Continued)

**FOREIGN PATENT DOCUMENTS**

- CA ID87833 S 10/1999
- CA ID89522 S 5/2000
- (Continued)

**OTHER PUBLICATIONS**

Ridgid 50333 Motor on Bottom Wet/Dry Vacuum, available in Amazon.com, date first available Aug. 4, 2015 [online], [site visited Mar. 9, 2021], Available from the internet . . . URL: [https://www.amazon.com/dp/B0146WQD8K/ref=sspa\\_dk\\_detail\\_3?psc=1&pd\\_rd\\_i=B0146WQD8Kp13NParams&spLa=ZW5jcnlwdGVkUXVhbGlmaWVyPUExVDhYSTJRMUJIMklwJmVuY3J5cHRIZEikPUEwOTAxODQzMUIBRUZTUUJWRVYzTyZlbnNyeXB0ZWRBZEIkPUEwMzMzMTA4MUEyMFU0M0UySzVQMSZ3aWRnZXROYW11PjNwX2RldGFpbDlmYWN0](https://www.amazon.com/dp/B0146WQD8K/ref=sspa_dk_detail_3?psc=1&pd_rd_i=B0146WQD8Kp13NParams&spLa=ZW5jcnlwdGVkUXVhbGlmaWVyPUExVDhYSTJRMUJIMklwJmVuY3J5cHRIZEikPUEwOTAxODQzMUIBRUZTUUJWRVYzTyZlbnNyeXB0ZWRBZEIkPUEwMzMzMTA4MUEyMFU0M0UySzVQMSZ3aWRnZXROYW11PjNwX2RldGFpbDlmYWN0) (Year: 2015).\*

(Continued)

*Primary Examiner* — Dana K Weiland  
*Assistant Examiner* — Jennylou M Binas  
(74) *Attorney, Agent, or Firm* — Armstrong Teasdale LLP

**Related U.S. Application Data**

- (62) Division of application No. 29/645,960, filed on Apr. 30, 2018, now Pat. No. Des. 882,892.
- (51) **LOC (13) Cl.** ..... **15-05**
- (52) **U.S. Cl.**  
USPC ..... **D32/21**
- (58) **Field of Classification Search**  
USPC ..... D32/21, 23, 29, 31; D15/144  
CPC ..... A47L 5/365; A47L 7/0004; A47L 7/0019;  
A47L 9/0009; A47L 9/0036; A47L 9/127;  
A47L 9/1409; A47L 9/22; A47L 9/242;  
A47L 9/28; A47L 9/32; A47L 9/325;  
B01D 2279/55

See application file for complete search history.

(57) **CLAIM**

We claim the ornamental design for a wet/dry vacuum cleaner, as shown and described.

**DESCRIPTION**

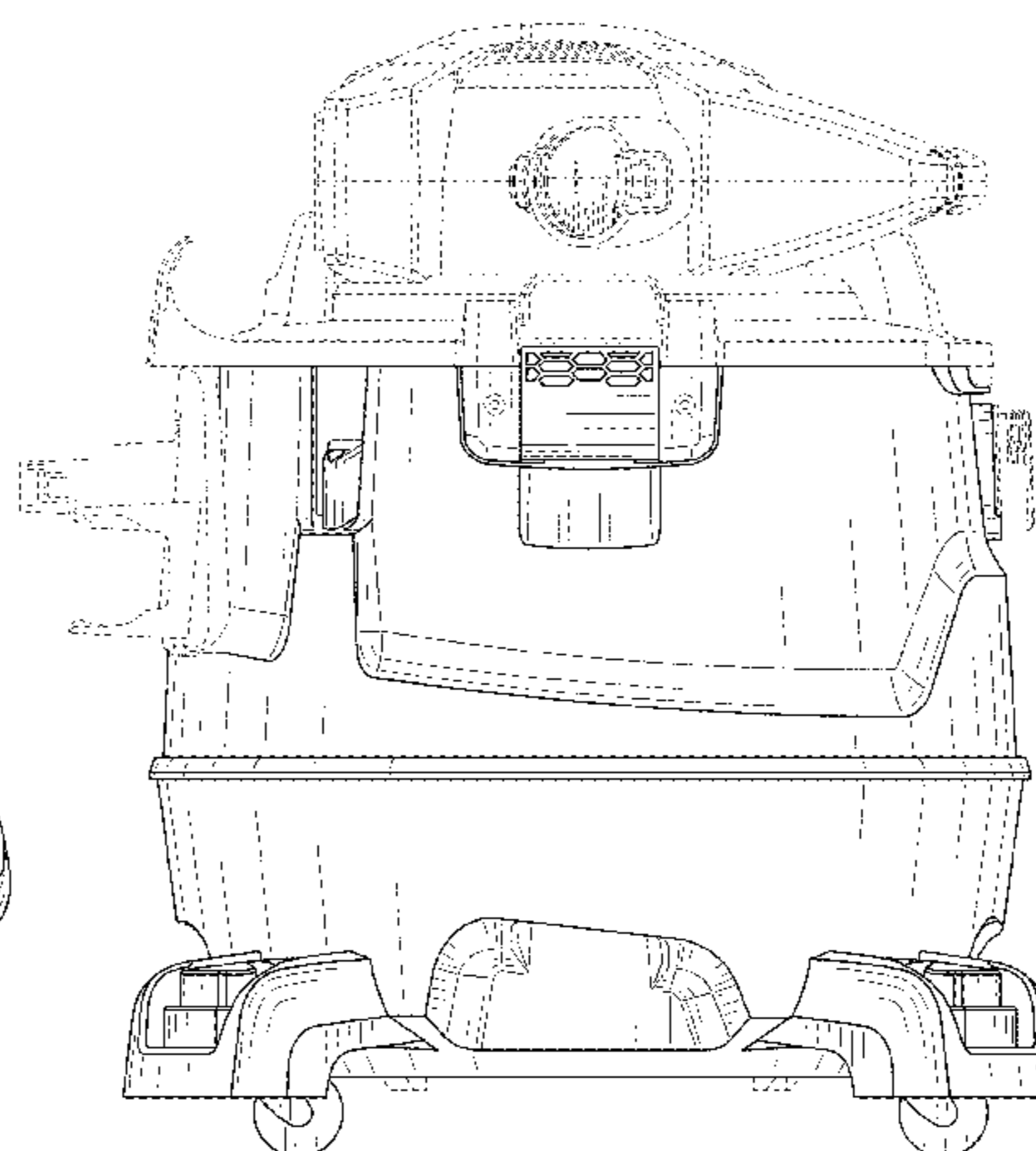
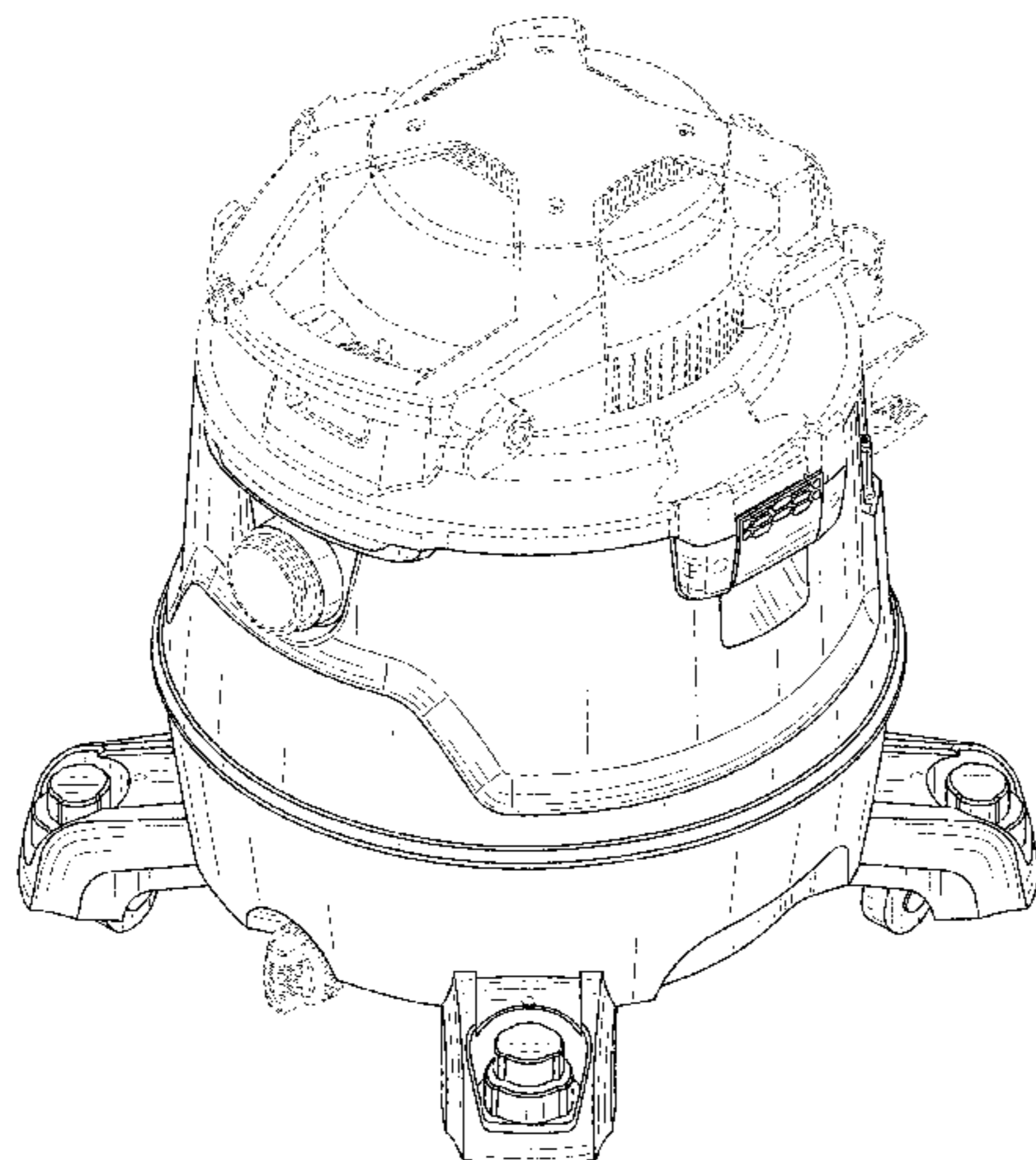
FIG. 1 is a front perspective view of a wet/dry vacuum cleaner showing the new design.  
FIG. 2 is a front view thereof.  
FIG. 3 is a rear view thereof.  
FIG. 4 is a right side view thereof.  
FIG. 5 is a left side view thereof.  
FIG. 6 is a top view thereof; and,  
FIG. 7 is a bottom view thereof.

(Continued)

(56) **References Cited**

**U.S. PATENT DOCUMENTS**

- 2,543,697 A \* 2/1951 Lanter ..... B60B 33/002  
280/79.2
- 2,573,085 A \* 10/1951 Yonkers ..... F16M 11/42  
280/79.5
- D178,199 S \* 7/1956 Martinec ..... D32/23
- D438,353 S 2/2001 Hoshino et al.



The broken lines show portions of the wet/dry vacuum cleaner that form no part of the claimed design.

1 Claim, 7 Drawing Sheets

(56)

References Cited

U.S. PATENT DOCUMENTS

D479,023 S 8/2003 Holsten et al.  
 D486,280 S 2/2004 Holsten et al.  
 D492,823 S 7/2004 Hoshino et al.  
 D492,824 S 7/2004 Tomasiak et al.  
 D494,327 S 8/2004 Song  
 D519,251 S 4/2006 Hoshino et al.  
 D520,689 S 5/2006 Eccardt et al.  
 D528,256 S 9/2006 Beth et al.  
 D528,718 S 9/2006 Tomasiak et al.  
 D537,992 S 3/2007 Hoshino  
 D541,818 S 5/2007 Rhea et al.  
 D549,903 S 8/2007 Eccardt et al.  
 D551,681 S 9/2007 Rhea et al.  
 D558,410 S 12/2007 Hill et al.  
 D565,269 S 3/2008 Tomasiak et al.  
 D577,164 S 9/2008 Williams et al.  
 D580,115 S 11/2008 Theising et al.  
 D595,910 S 7/2009 Hollis et al.  
 D596,359 S 7/2009 Hollis et al.  
 D614,369 S \* 4/2010 Theising ..... D32/31  
 D615,259 S 5/2010 Theising et al.  
 D617,514 S 6/2010 Hollis et al.  
 D618,870 S 6/2010 Williams et al.  
 D634,494 S \* 3/2011 Theising ..... D32/31  
 D647,260 S 10/2011 Hollis et al.  
 D647,261 S 10/2011 Schultz et al.  
 D651,101 S 12/2011 Ziganek et al.  
 D657,101 S \* 4/2012 Williams ..... D32/23  
 D666,369 S \* 8/2012 Williams ..... D32/23  
 D669,646 S \* 10/2012 Theising ..... D32/23  
 D670,046 S 10/2012 Theising et al.  
 D670,048 S 10/2012 Theising et al.  
 D676,073 S \* 2/2013 Wagner ..... D15/144  
 D676,205 S 2/2013 Theising et al.  
 D712,101 S \* 8/2014 Elmer ..... D32/21  
 D740,504 S 10/2015 Williams et al.  
 D743,655 S \* 11/2015 Holsten ..... D32/31  
 9,468,345 B2 10/2016 Zhu  
 9,492,047 B2 11/2016 Marsden et al.  
 9,668,625 B2 6/2017 Wolford et al.  
 D815,379 S \* 4/2018 Griffin ..... D32/31

D865,305 S \* 10/2019 Wall ..... D32/21  
 10,426,308 B2 \* 10/2019 Stanek ..... A47L 5/365  
 D867,702 S \* 11/2019 Wall ..... D32/31  
 D868,404 S \* 11/2019 Wall ..... D32/21  
 D874,765 S \* 2/2020 Sanders ..... D32/31  
 D875,333 S \* 2/2020 Wall ..... D32/21  
 D876,039 S \* 2/2020 Wall ..... D32/31  
 D876,738 S \* 2/2020 Wall ..... D32/31  
 D876,739 S \* 2/2020 Wall ..... D32/31  
 D877,433 S \* 3/2020 Fry ..... D32/31  
 D877,995 S \* 3/2020 Knight ..... D32/31  
 D882,892 S \* 4/2020 Wall ..... D32/31  
 D891,716 S \* 7/2020 Sanders ..... D32/21  
 D915,698 S \* 4/2021 Wall ..... D32/21  
 11,027,894 B2 \* 6/2021 Tomasiak ..... A47L 9/32  
 2014/0201943 A1 \* 7/2014 Williams ..... A47L 9/00  
 15/347  
 2015/0013100 A1 \* 1/2015 Gottschall ..... A47L 5/365  
 15/323  
 2015/0067978 A1 \* 3/2015 Westbrook ..... B65D 47/205  
 15/347  
 2015/0342427 A1 \* 12/2015 Zhu ..... A47L 5/365  
 15/323  
 2016/0120383 A1 \* 5/2016 Stanek ..... A47L 9/242  
 15/300.1  
 2017/0049282 A1 \* 2/2017 Seasholtz ..... A47L 5/365  
 2017/0280955 A1 \* 10/2017 Gottschall ..... A47L 9/1409  
 2018/0055314 A1 \* 3/2018 Rupp ..... A47L 9/242  
 2018/0235420 A1 \* 8/2018 Stanek ..... A47L 9/0027  
 2018/0296962 A1 \* 10/2018 Sang ..... B01D 46/521  
 2019/0059666 A1 \* 2/2019 Gierer ..... A47L 5/365  
 2019/0328191 A1 \* 10/2019 Tomasiak ..... A47L 9/00  
 2019/0328192 A1 \* 10/2019 Wilsey ..... A47L 9/0036  
 2019/0329940 A1 \* 10/2019 Tomasiak ..... B65D 45/18

FOREIGN PATENT DOCUMENTS

CA ID89523 S 5/2000  
 CA ID90731 S 10/2000  
 CA 140543 \* 12/2011

OTHER PUBLICATIONS

Ridgid 14 Gal. 6.0-Peak HP NXT Wet/Dry Shop Vacuum, available in homedepot.com, customer review oldest date Feb. 16, 2013[online], [site visited Mar. 9, 2021], Available from the internet . . . URL: <https://www.homedepot.com/p/RIDGID-14-Gal-6-0-Peak-HP-NXT-Wet-Dry-Shop-Vacuum-with-Fine-Dust-Filter-Hose-Accessories-and-Premium-Car-Cleaning-Kit-HD1401/308343494> (Year: 2013).\*

\* cited by examiner



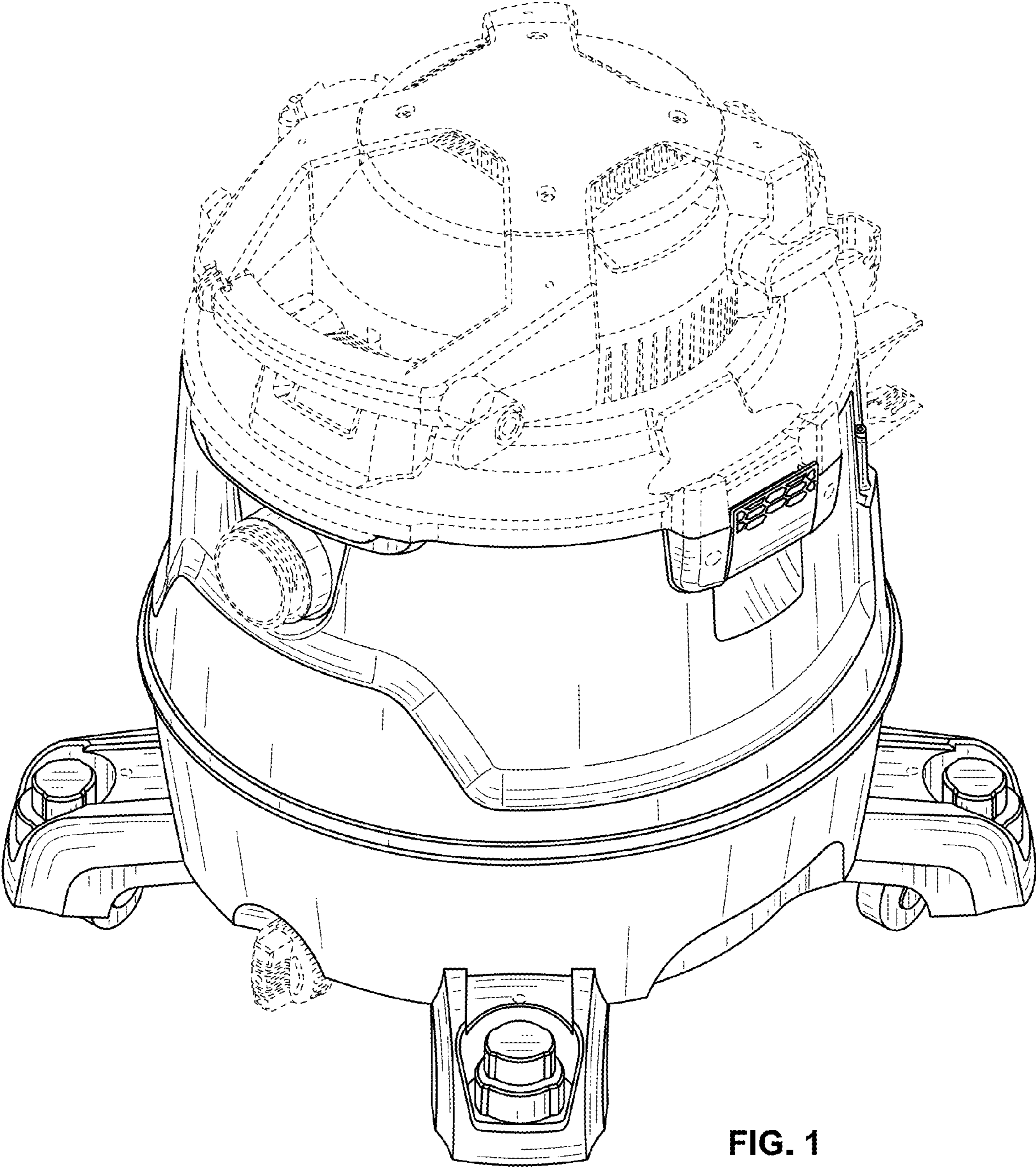


FIG. 1

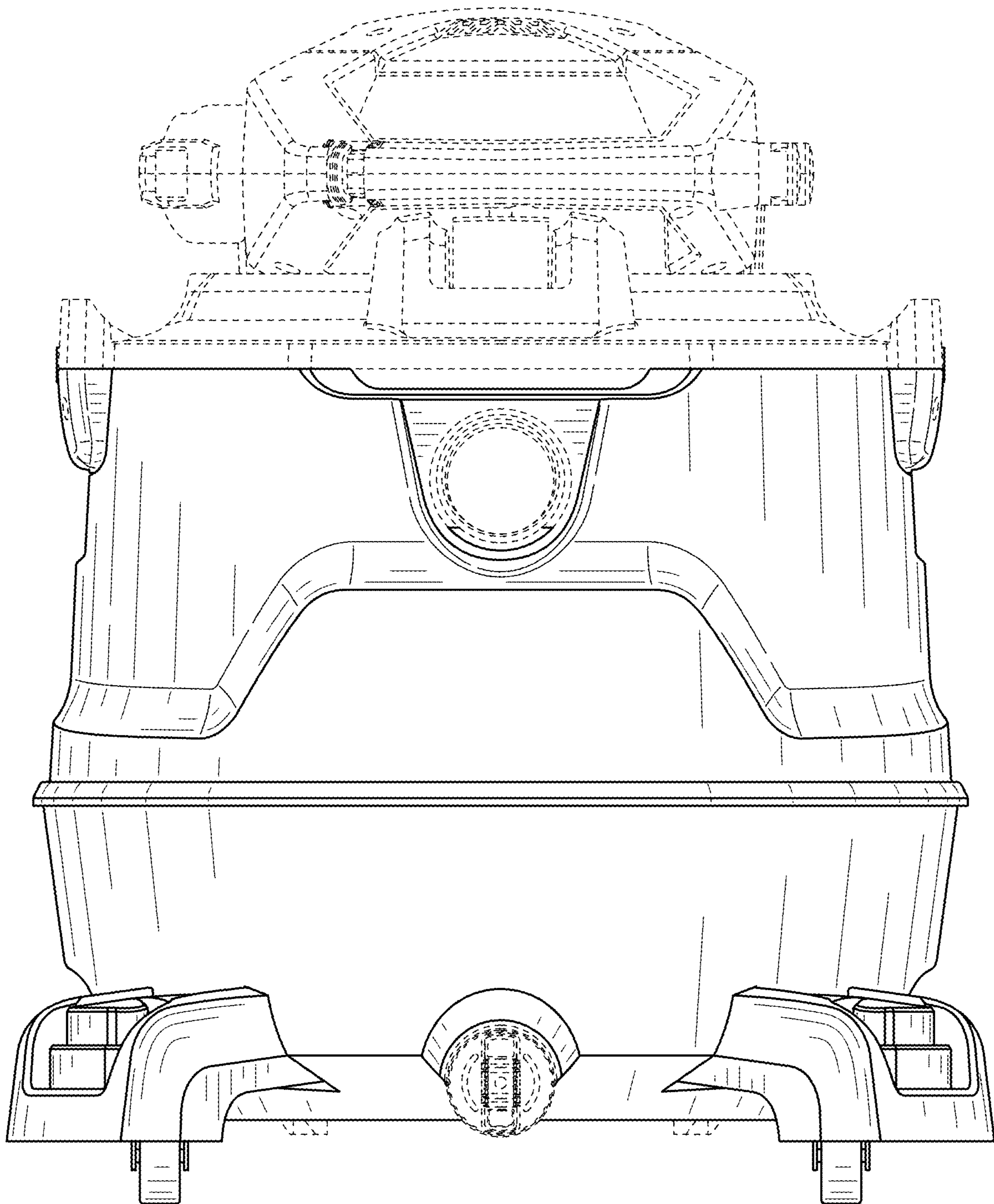


FIG. 2

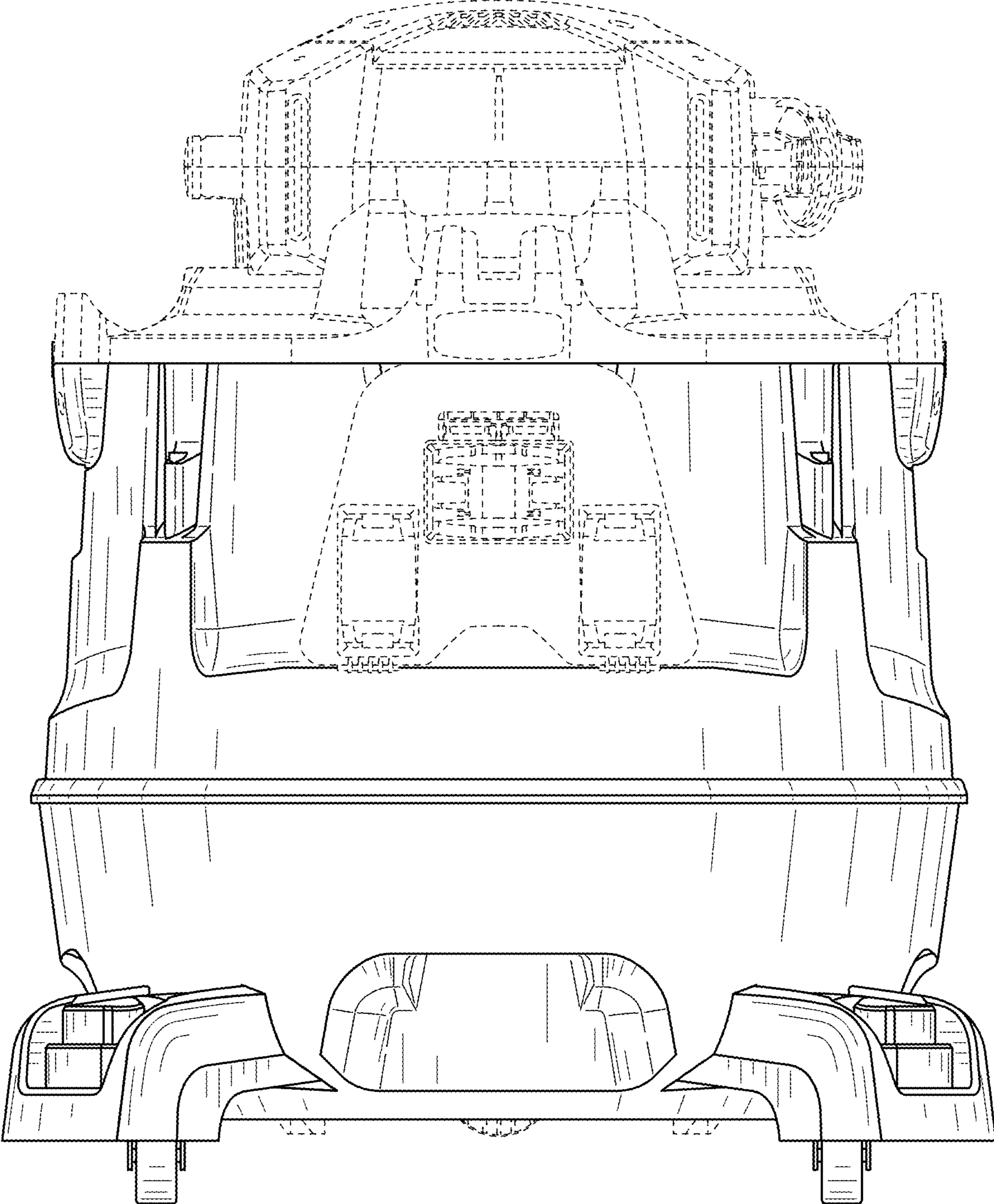


FIG. 3



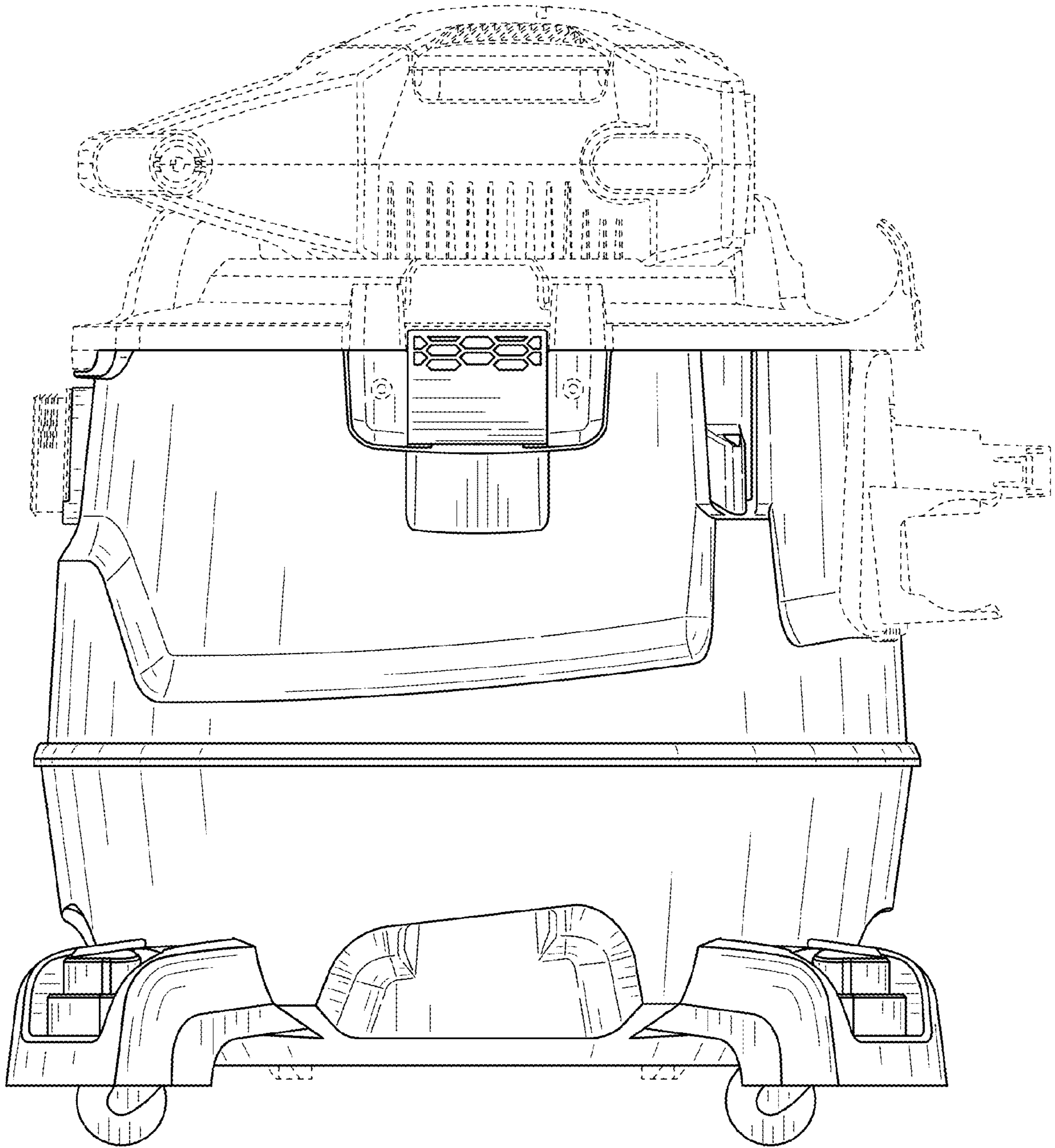


FIG. 4

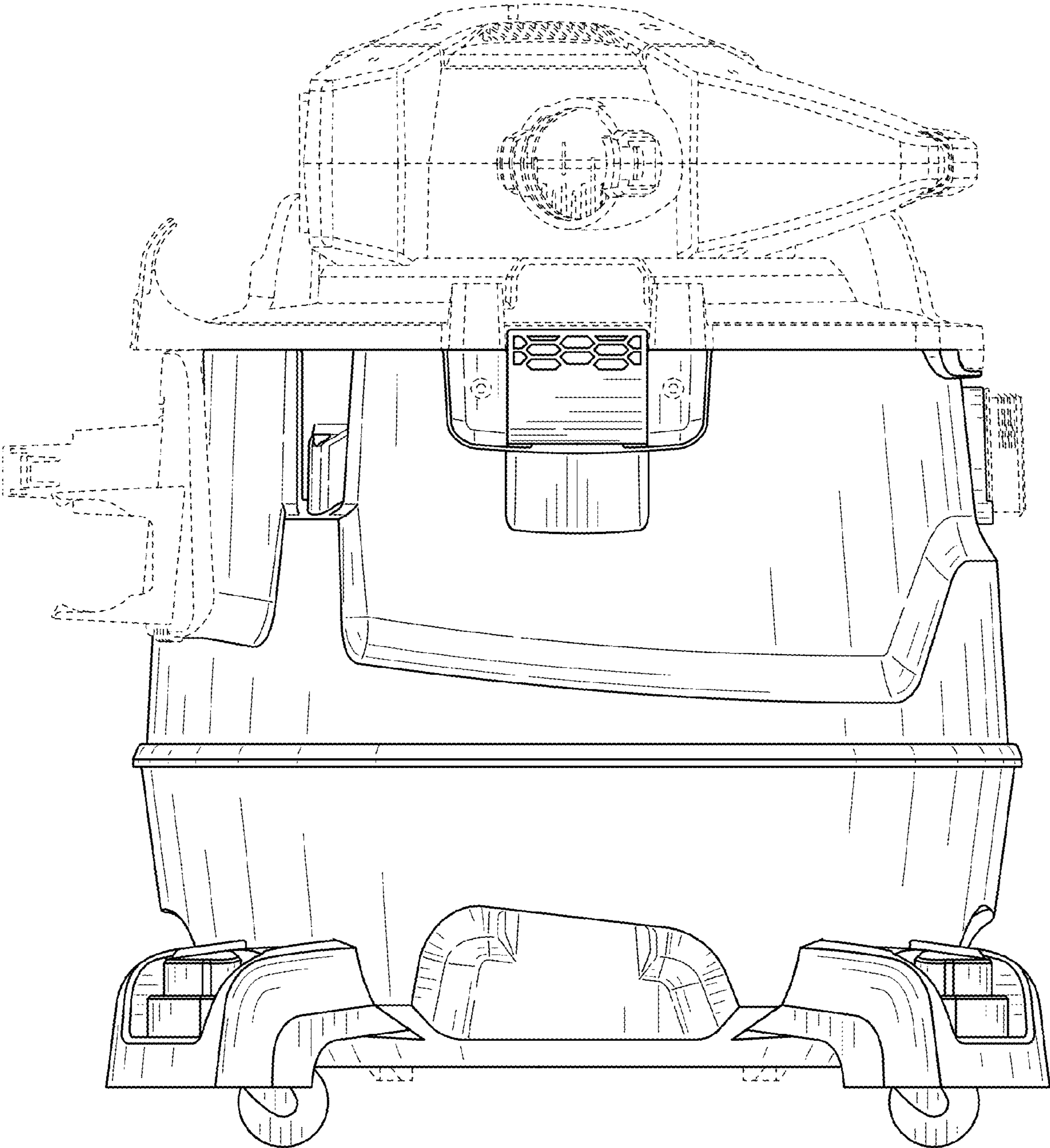


FIG. 5

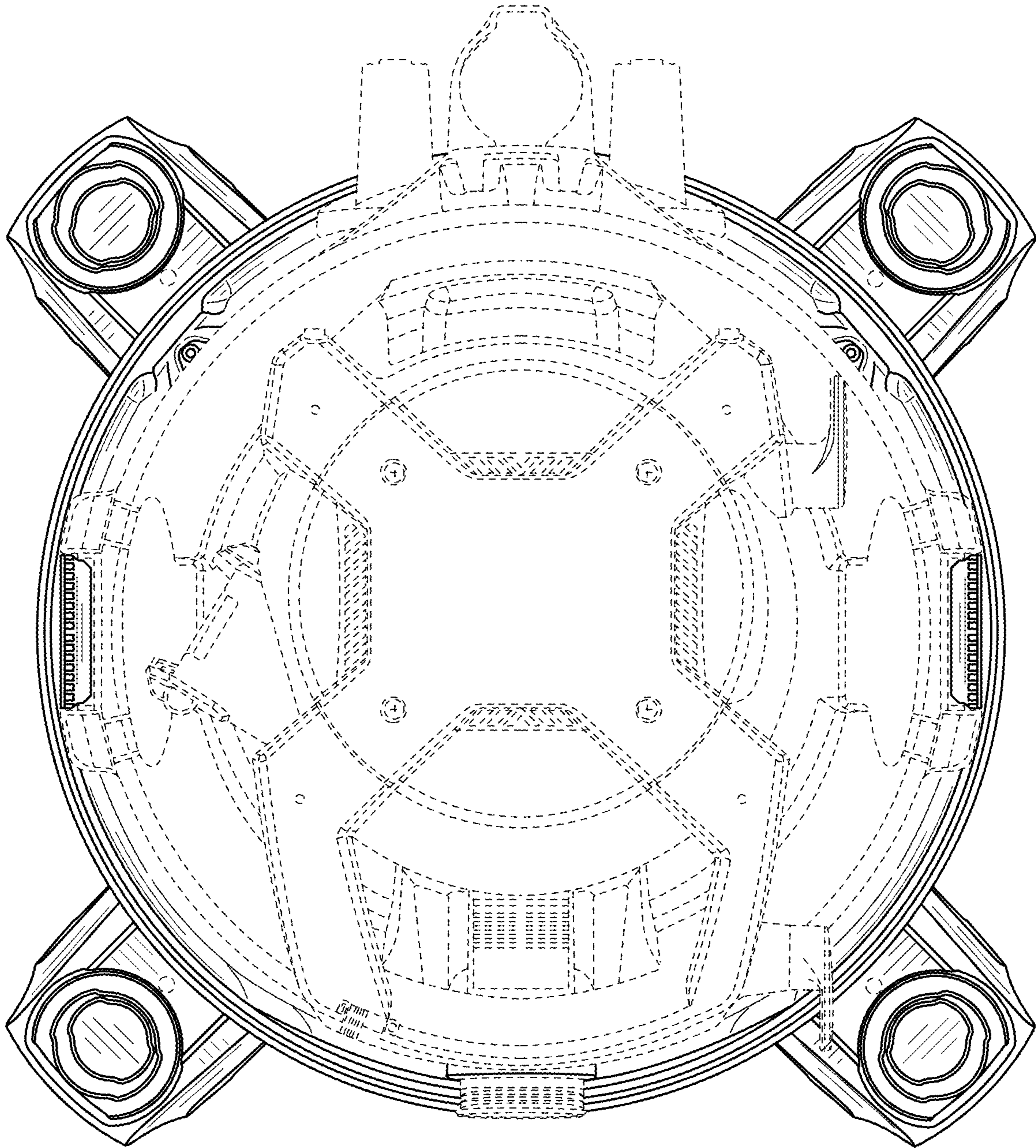


FIG. 6



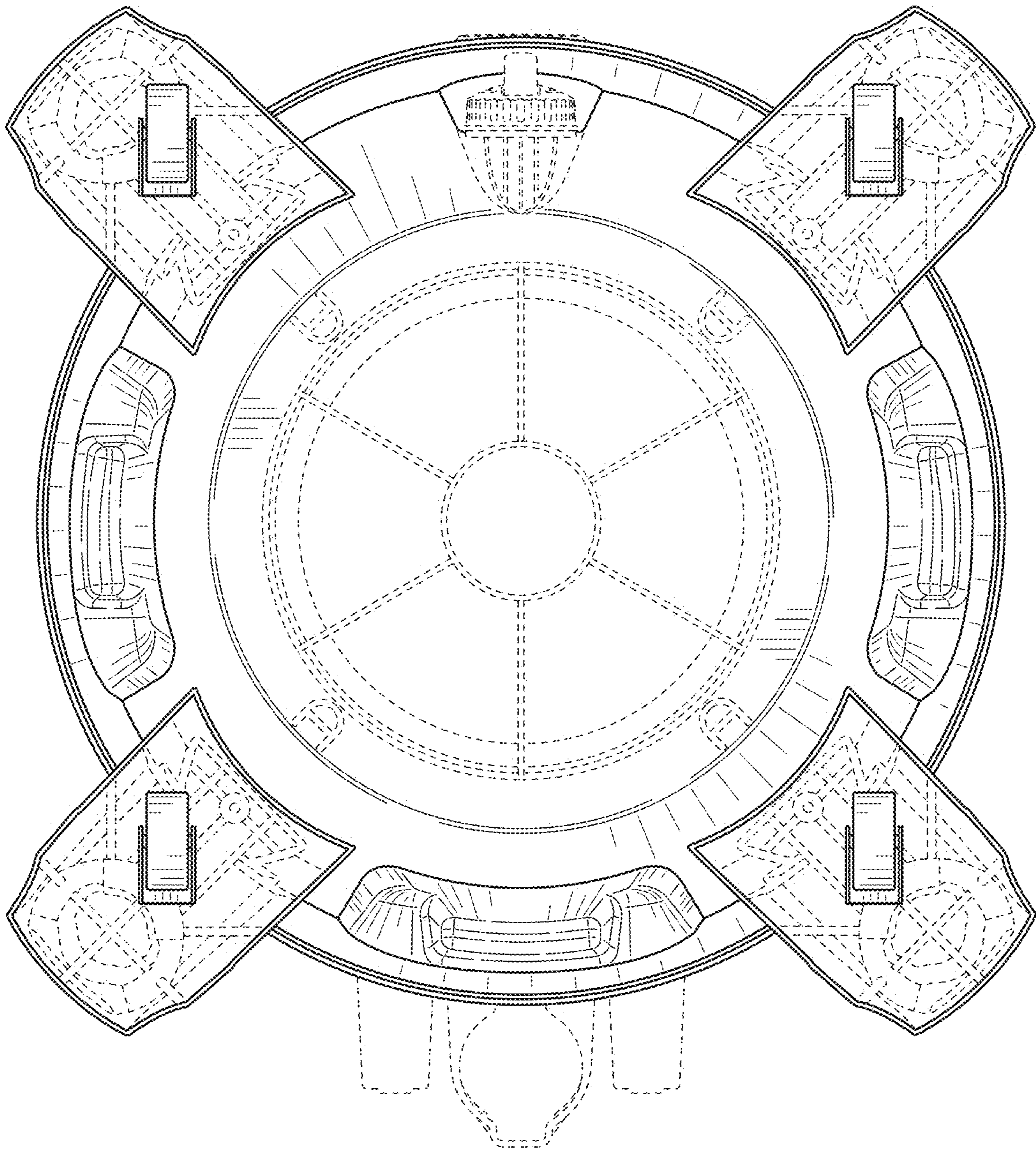


FIG. 7