



US00D934517S

(12) **United States Design Patent**  
**Cooper et al.**

(10) **Patent No.:** **US D934,517 S**

(45) **Date of Patent:** **\*\* Oct. 26, 2021**

(54) **TOILET BRUSH ASSEMBLY**

(71) Applicant: **Polder Products, LLC**, Oxford, CT (US)

(72) Inventors: **Kerry Cooper**, Pleasantville, NY (US);  
**Luke Johnson**, Huntington, CT (US)

(73) Assignee: **POLDER PRODUCTS, LLC**, Oxford, CT (US)

(\*\*) Term: **15 Years**

(21) Appl. No.: **29/692,069**

(22) Filed: **May 22, 2019**

(51) **LOC (13) Cl.** ..... **15-05**

(52) **U.S. Cl.**  
USPC ..... **D32/14; D6/551**

(58) **Field of Classification Search**  
USPC ..... D32/30-33, 40-43, 45-49, 50-52;  
D4/118, 116, 128, 136, 138; D8/6-9, 20,  
D8/45, 107; D7/670, 697; D6/551, 524,  
D6/520; 4/255.11  
CPC . A47L 13/02; A47L 13/08; A47L 9/06; B25G  
1/00; B25G 1/01; A46B 9/02  
See application file for complete search history.

(56) **References Cited**

U.S. PATENT DOCUMENTS

- 4,033,650 A 7/1977 Alissandratos
- D315,989 S \* 4/1991 Levien ..... D32/40
- 5,114,006 A \* 5/1992 Wilk ..... B65D 81/36  
206/349
- D404,951 S \* 2/1999 Zawalsky ..... D6/551
- D413,470 S \* 9/1999 Burton ..... D6/551
- D419,019 S \* 1/2000 Shafik ..... D6/551
- 6,109,429 A \* 8/2000 Cunningham ..... A47K 17/00  
206/15.2
- D441,507 S \* 5/2001 Gholston ..... D32/14
- D452,401 S \* 12/2001 Schmidt ..... D6/524

- D457,277 S \* 5/2002 Poston ..... D32/14
- D465,957 S \* 11/2002 Driscoll ..... D6/551
- D467,110 S \* 12/2002 Lin ..... D6/551
- 6,726,010 B2 4/2004 Kaminstein
- D511,062 S \* 11/2005 Lai ..... D6/524

(Continued)

FOREIGN PATENT DOCUMENTS

- IL 66684 \* 3/2021
- JP D1449799 \* 8/2012

*Primary Examiner* — John R Yeh

(74) *Attorney, Agent, or Firm* — Duane Morris LLP

(57) **CLAIM**

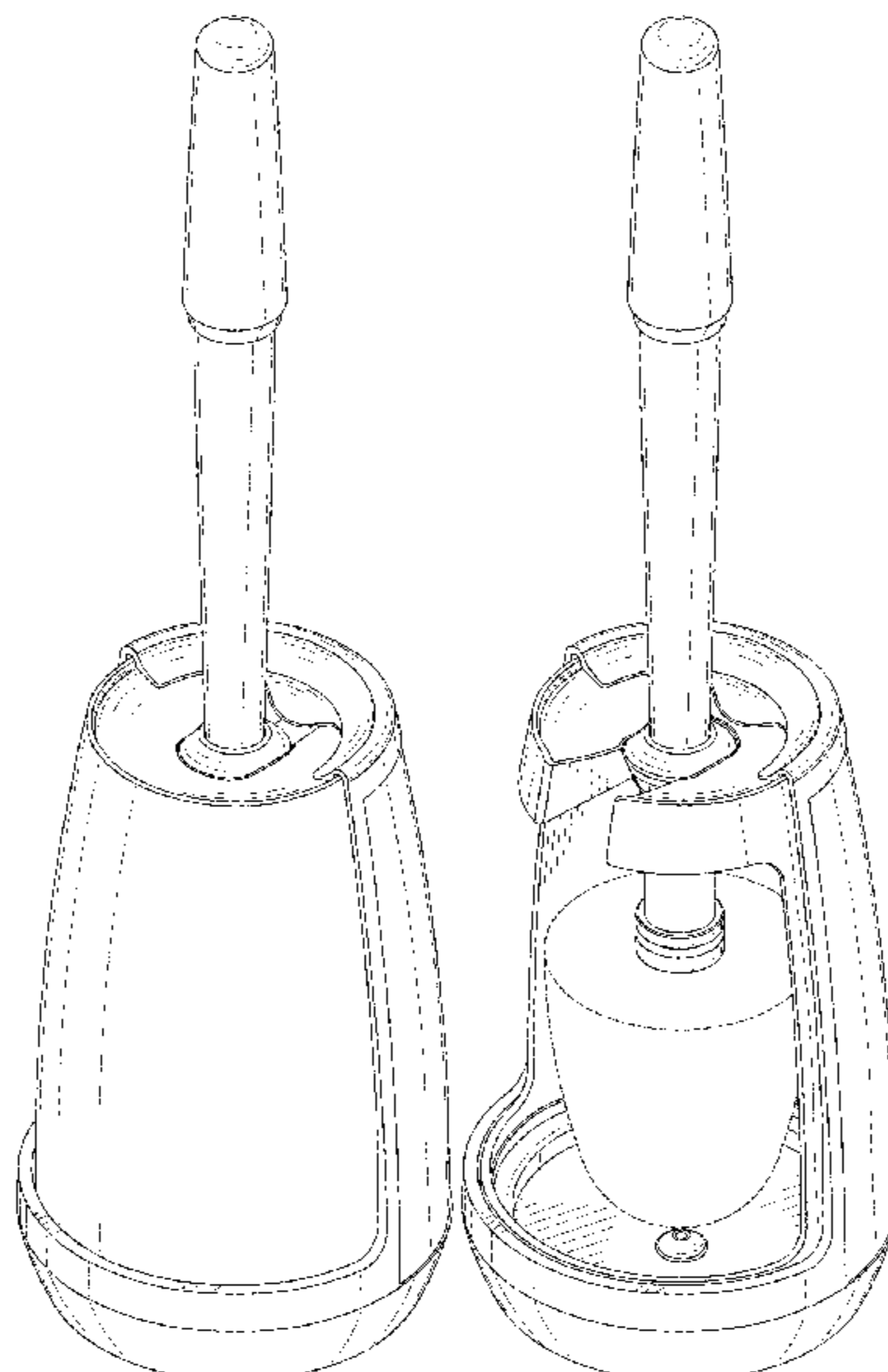
The ornamental design for a toilet brush assembly, as shown and described.

**DESCRIPTION**

FIG. 1 is an isometric view of our new design for a toilet brush assembly in a closed configuration; FIG. 2 is a front elevation view thereof; FIG. 3 is a rear elevation view thereof; FIG. 4 is a right side elevation view thereof; FIG. 5 is a left side elevation view thereof; FIG. 6 is a top plan view thereof; FIG. 7 is a bottom plan view thereof; FIG. 8 is an isometric view of our new design for a toilet brush assembly in an open configuration; FIG. 9 is a front elevation view thereof; FIG. 10 is a rear elevation view thereof; FIG. 11 is a right side elevation view thereof; FIG. 12 is a left side elevation view thereof; FIG. 13 is a top plan view thereof; FIG. 14 is a bottom plan view thereof; and, FIG. 15 is an exploded isometric view of the toilet brush assembly.

The broken lines in the figures depict portions of the toilet brush assembly that form no part of the claimed design.

**1 Claim, 13 Drawing Sheets**



(56)

**References Cited**

U.S. PATENT DOCUMENTS

7,089,605	B2 *	8/2006	Jiang .....	E03C 1/308
				16/429
7,185,759	B2	3/2007	Rich	
7,328,793	B2	2/2008	Leaphart, Jr. et al.	
D579,703	S *	11/2008	Nickelson .....	D6/524
7,806,256	B2	10/2010	Wildauer et al.	
7,861,858	B2	1/2011	Wang	
7,908,681	B2	3/2011	Nguyen et al.	
D647,671	S *	10/2011	Stein .....	D32/14
8,342,321	B2	1/2013	McAllan	
9,133,610	B2	9/2015	Dressel et al.	
D776,455	S *	1/2017	Guthrie .....	D6/524
D809,720	S *	2/2018	Salas .....	D32/14
D860,555	S *	9/2019	de Martrin-Donos .....	D32/14
D861,263	S *	9/2019	de Martrin-Donos .....	D32/14
D869,874	S *	12/2019	Najimi .....	D6/524
D897,725	S *	10/2020	Stelmarski .....	D6/551
D906,721	S *	1/2021	Roberti .....	D6/524
D917,197	S *	4/2021	Kwak .....	D6/524
2012/0074010	A1	3/2012	Sabadicci	

\* cited by examiner

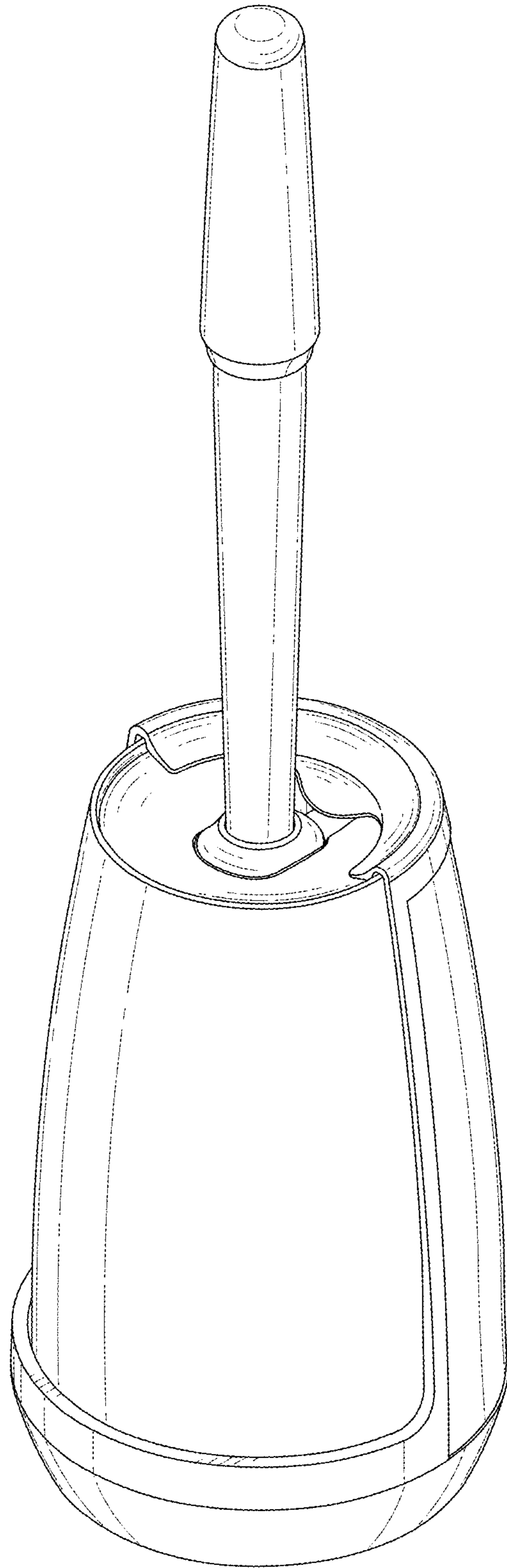


FIG. 1

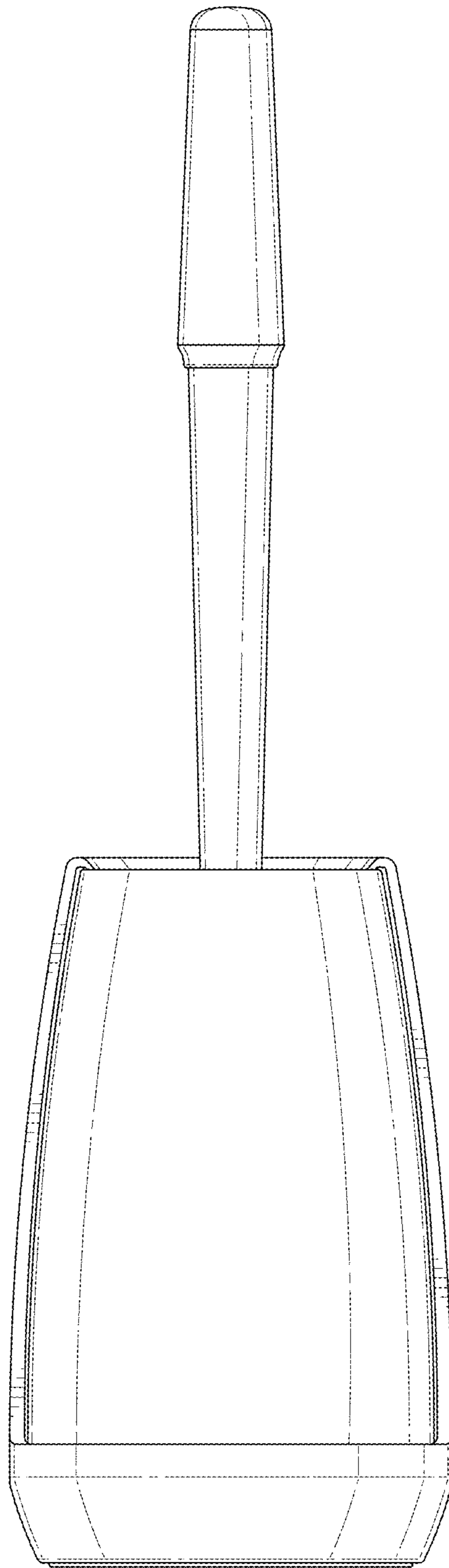


FIG. 2

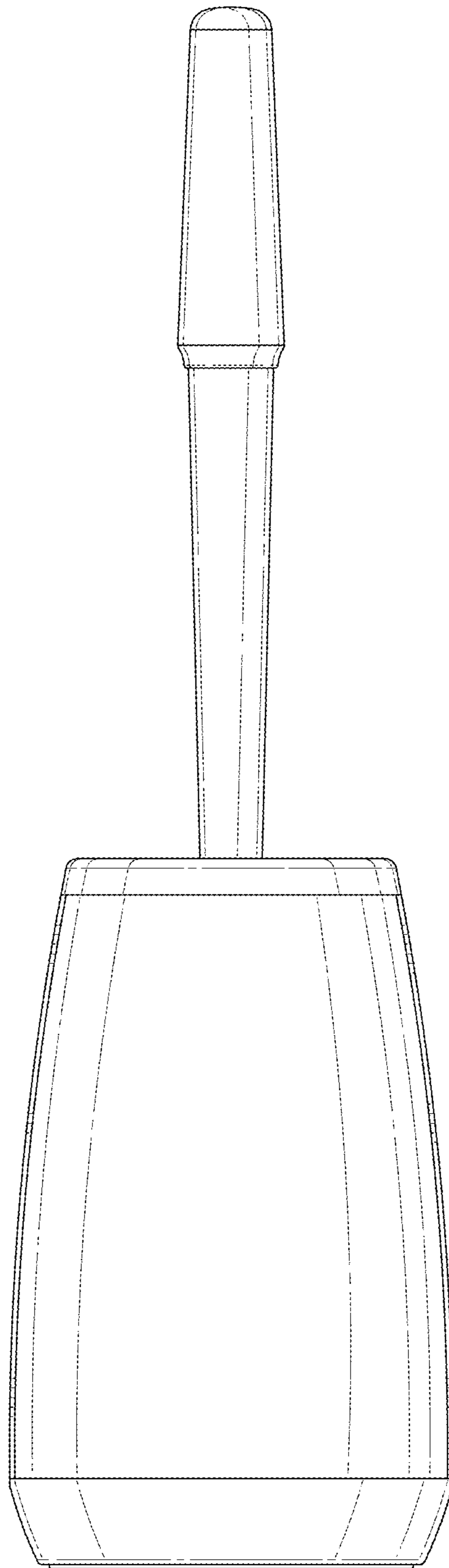


FIG. 3

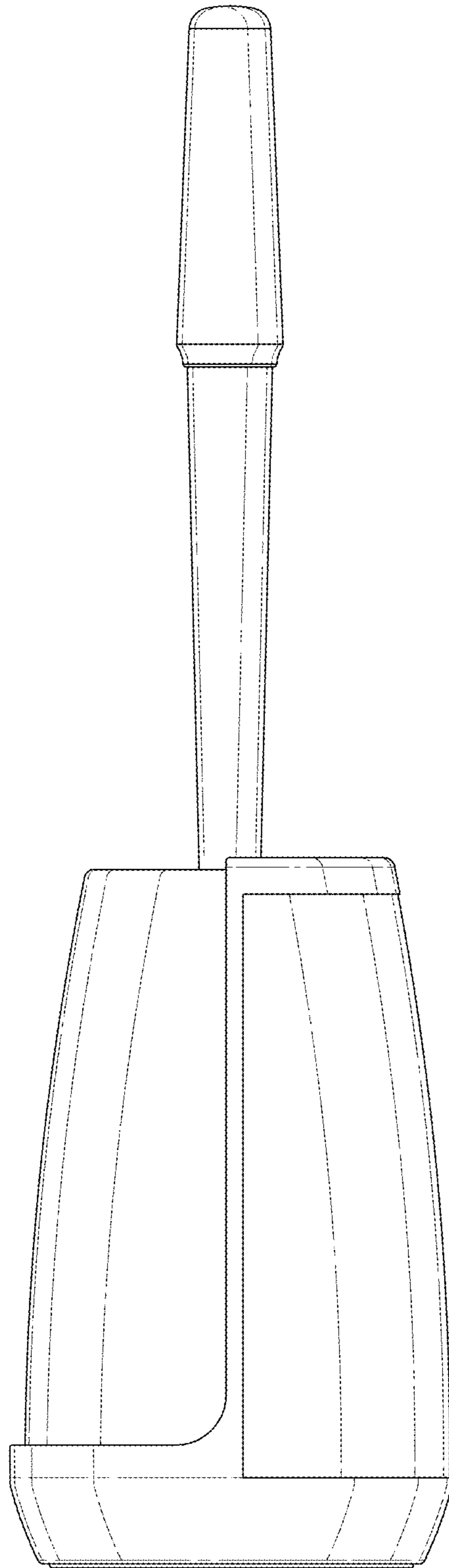


FIG. 4

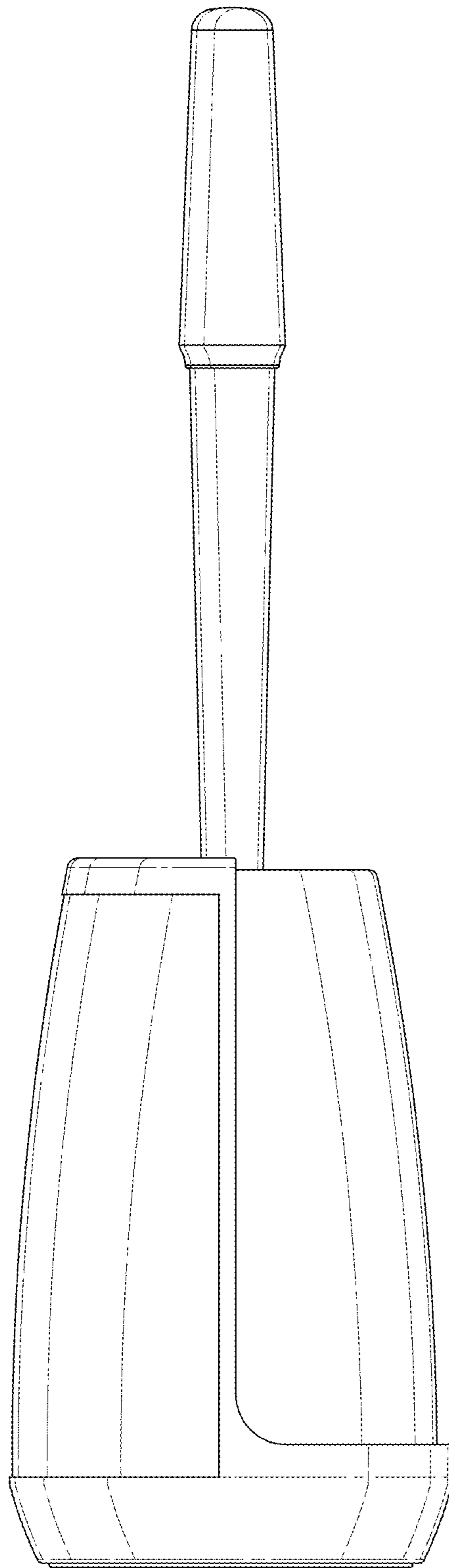


FIG. 5

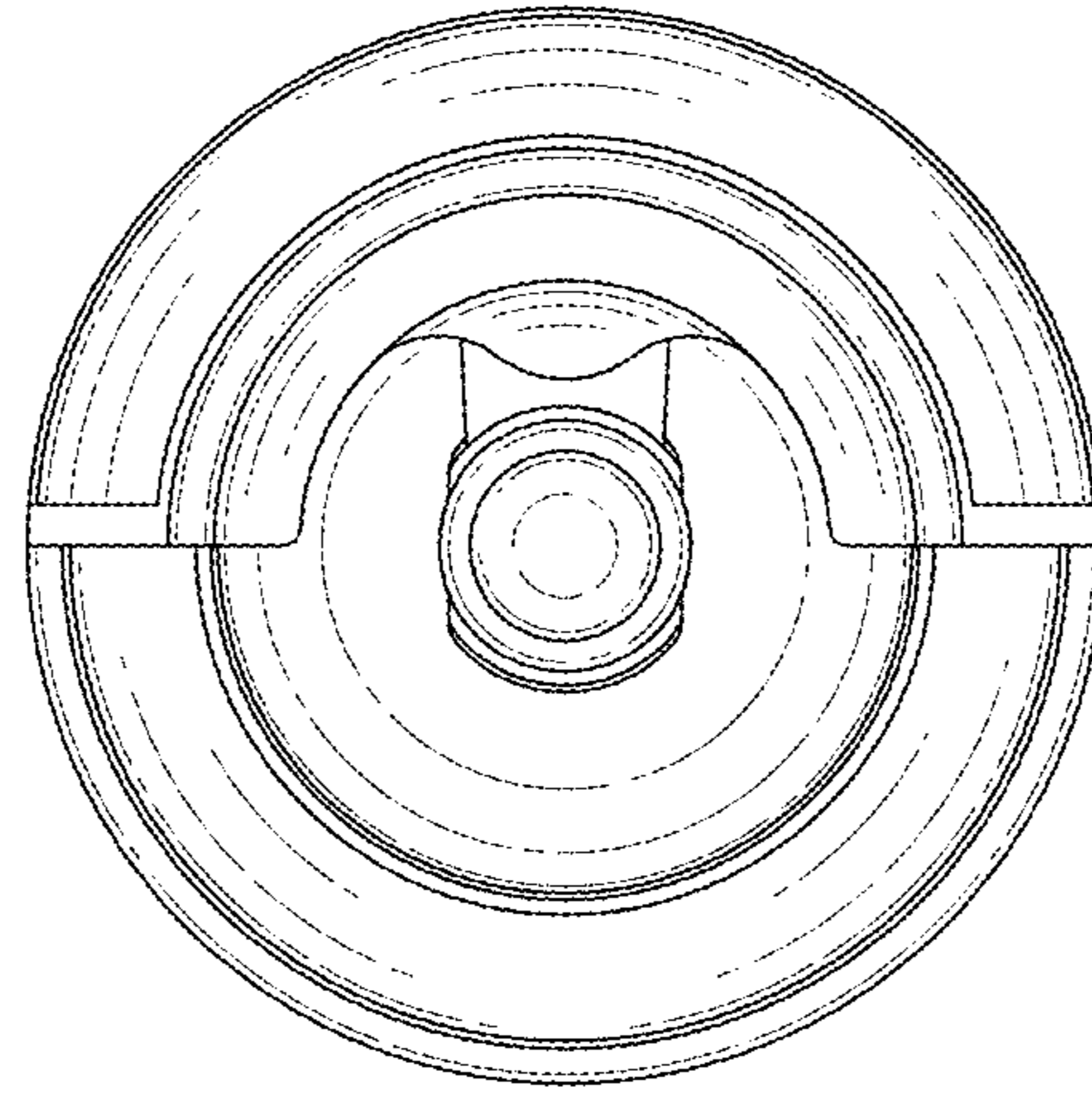


FIG. 6

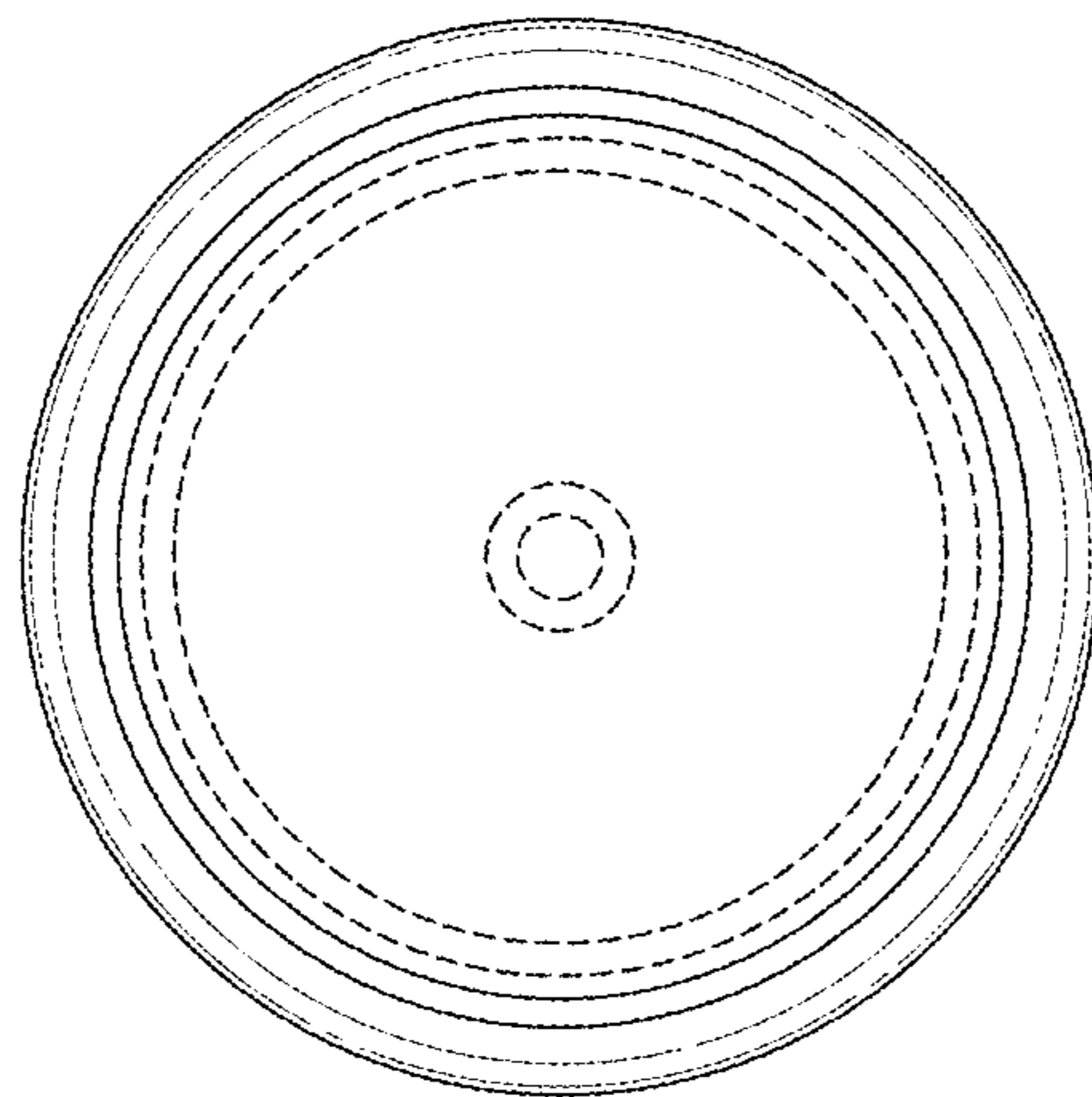


FIG. 7



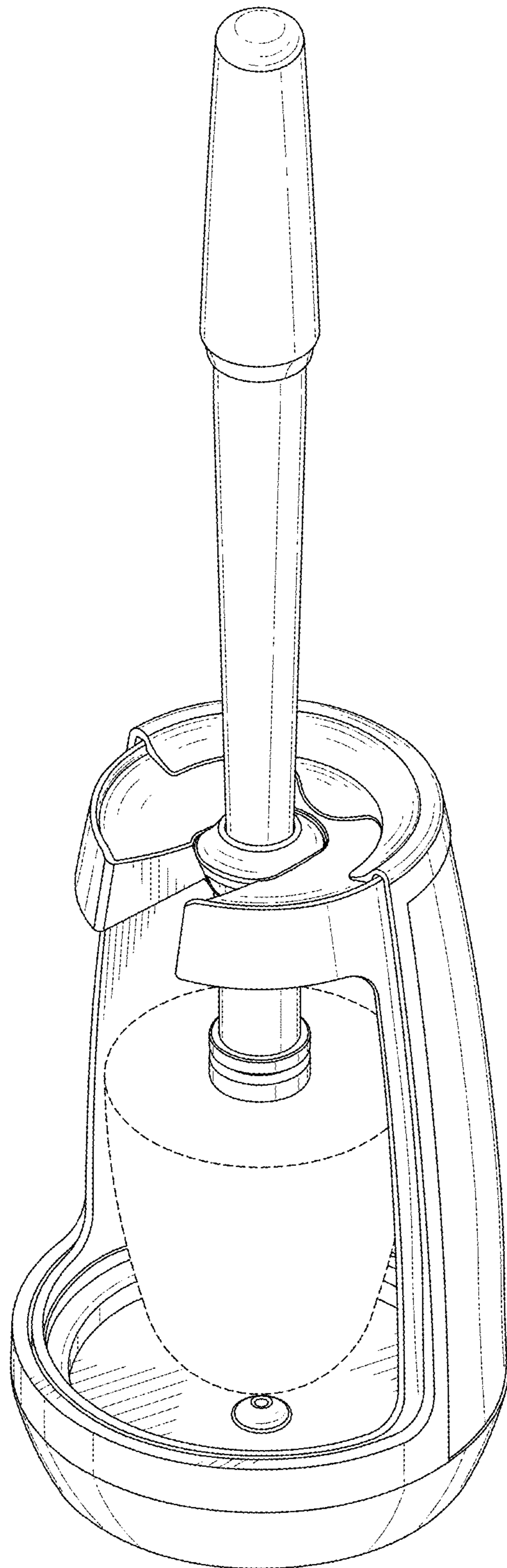


FIG. 8

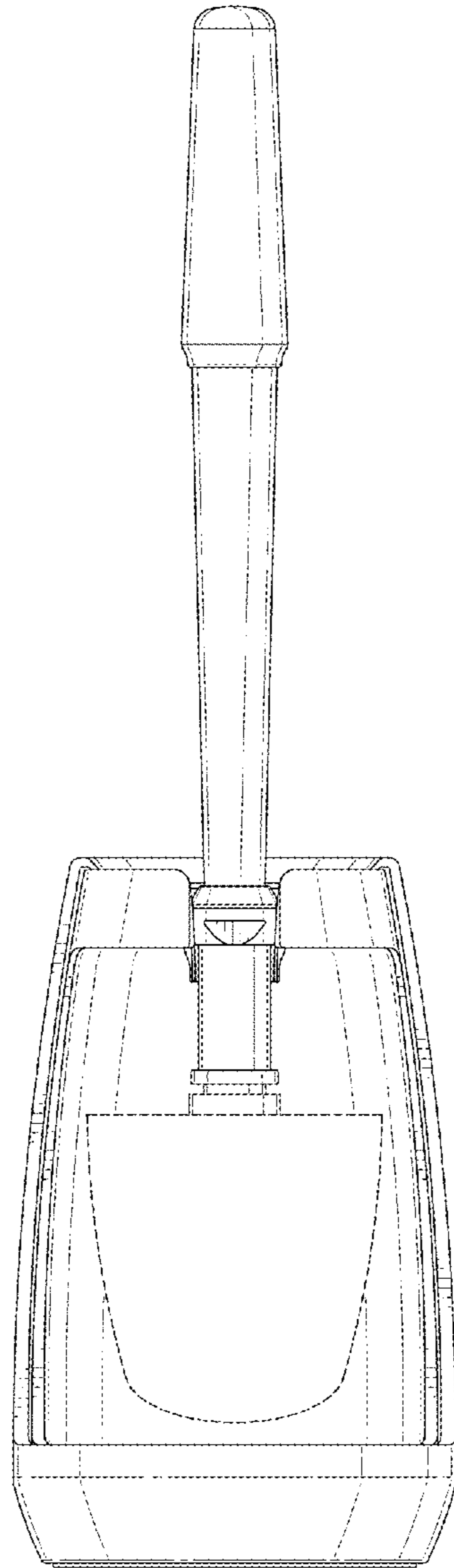


FIG. 9

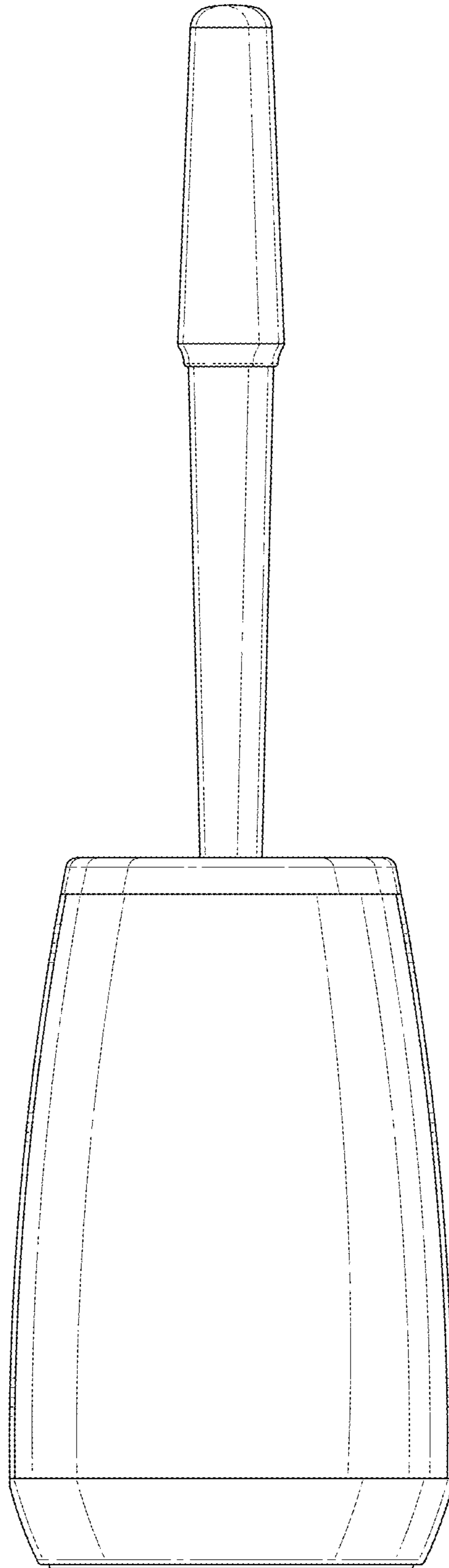


FIG. 10

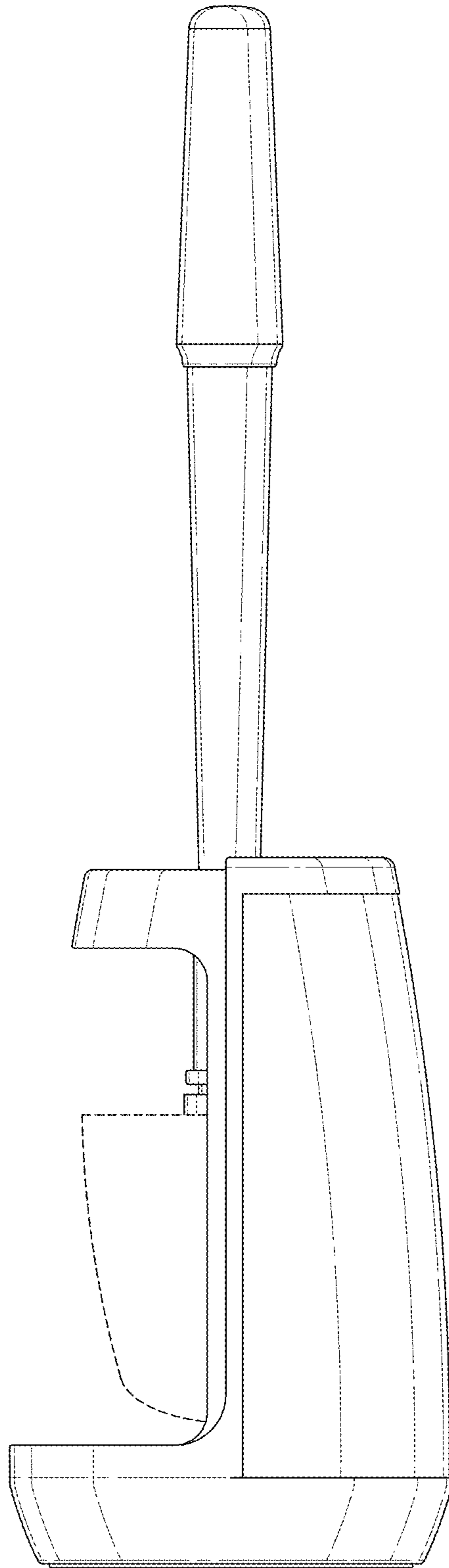


FIG. 11

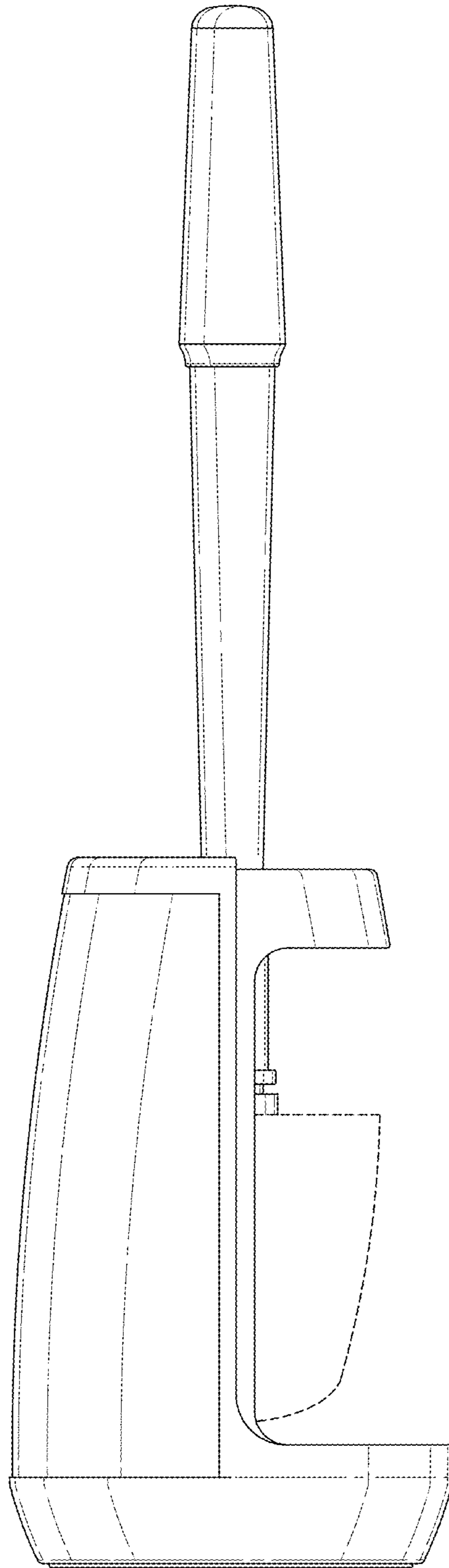


FIG. 12

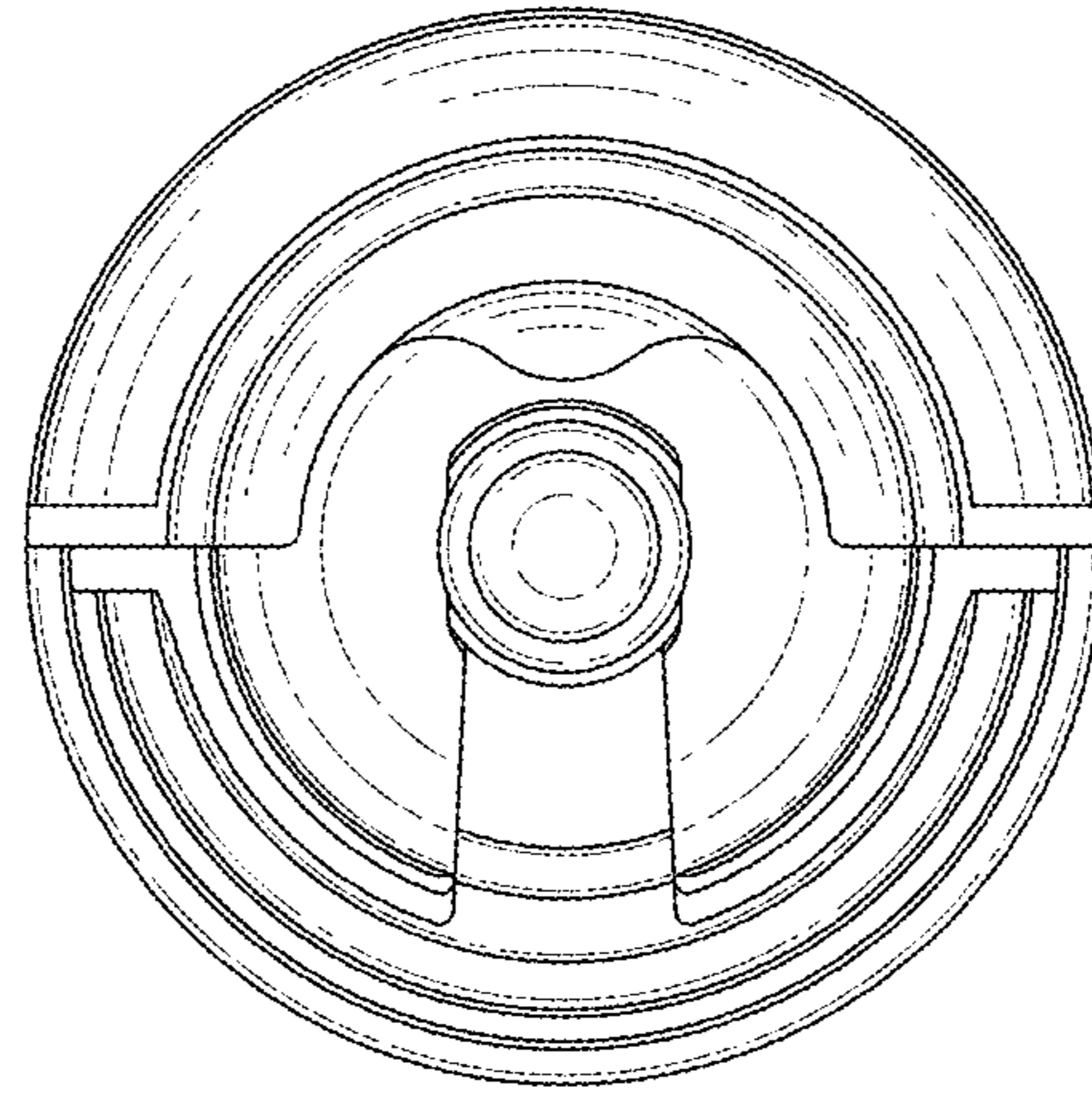


FIG. 13

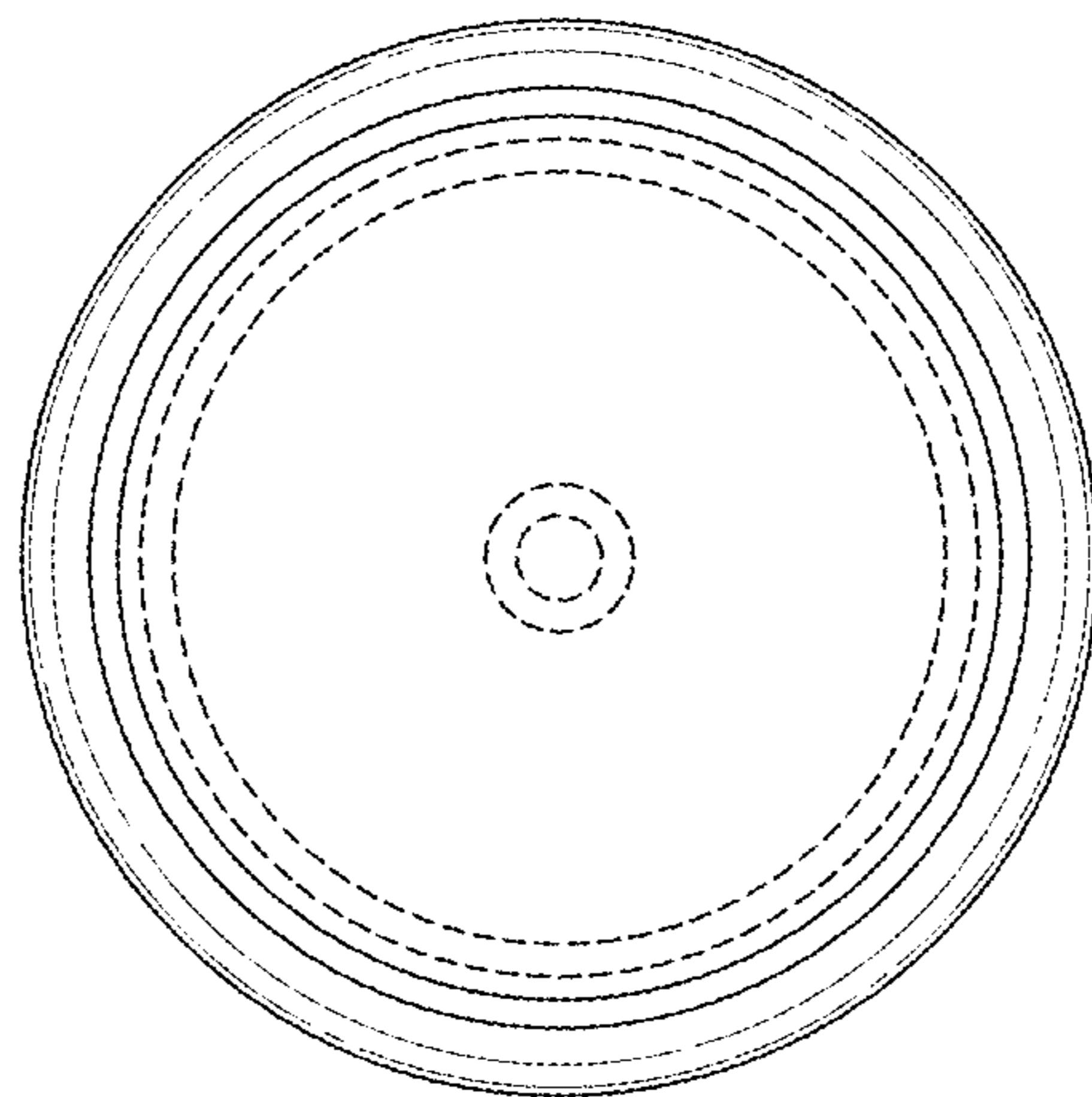


FIG. 14

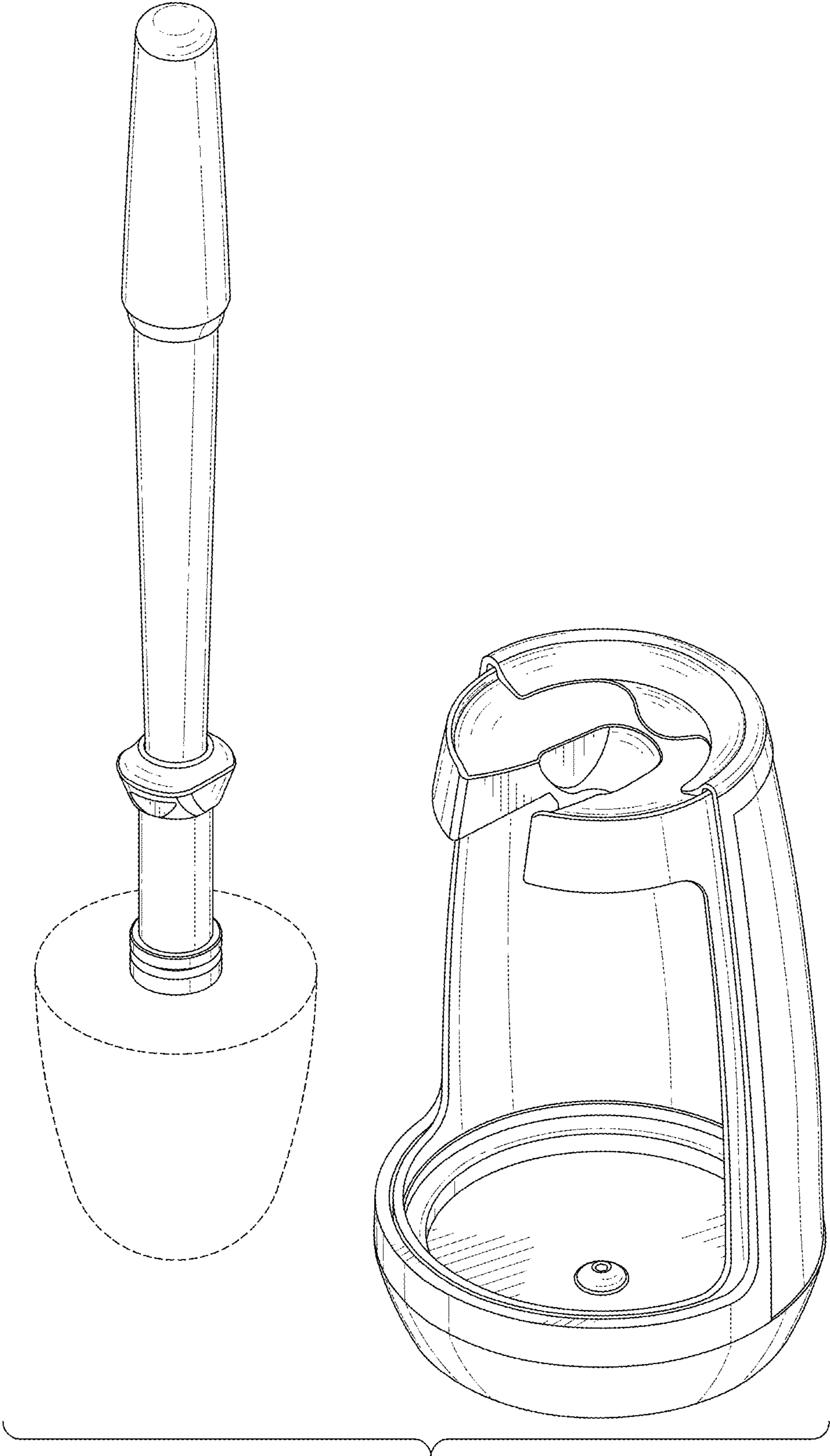


FIG. 15