



US00D934516S

(12) **United States Design Patent** (10) **Patent No.:** **US D934,516 S**
Sun et al. (45) **Date of Patent:** **** Oct. 26, 2021**

(54) **CLOTHES DRYER**

(71) Applicant: **WUXI LITTLE SWAN ELECTRIC CO., LTD., Wuxi (CN)**

(72) Inventors: **Mingchao Sun, Wuxi (CN); Zhixia Song, Wuxi (CN); Yue Wu, Wuxi (CN)**

(**) Term: **15 Years**

(21) Appl. No.: **29/721,353**

(22) Filed: **Jan. 20, 2020**

(30) **Foreign Application Priority Data**

Oct. 15, 2019 (CN) 201930560377.6

(51) **LOC (13) Cl.** **15-05**

(52) **U.S. Cl.**
USPC **D32/6**

(58) **Field of Classification Search**
USPC D32/6, 8, 25, 28
CPC D06F 17/12; D06F 35/00; D06F 37/12;
D06F 39/088; H02K 1/278; H02K 16/02
See application file for complete search history.

(56) **References Cited**

U.S. PATENT DOCUMENTS

D699,906 S *	2/2014	Choi	D32/25
D700,410 S *	2/2014	Hwang	D32/25
D701,659 S *	3/2014	Choi	D32/8
D705,508 S *	5/2014	Calmeise	D32/28
D739,096 S *	9/2015	Qin	D32/6
D758,030 S *	5/2016	Bixby	D32/25
D758,031 S *	5/2016	Bixby	D32/25
D758,032 S *	5/2016	Bixby	D32/25
D772,506 S *	11/2016	Bixby	D32/25
D798,005 S *	9/2017	Bixby	D32/6
D798,510 S *	9/2017	Bixby	D32/6
D798,511 S *	9/2017	Bixby	D32/6
D812,325 S *	3/2018	Bixby	D32/8

D818,219 S *	5/2018	Bixby	D32/6
D831,907 S *	10/2018	Bixby	D32/8
D833,091 S *	11/2018	Ayers	D32/6
D840,614 S *	2/2019	Bixby	D32/8
D922,700 S *	6/2021	Kim	D32/8

OTHER PUBLICATIONS

Criterion <https://www.menards.com/main/appliances/washers-dryers/dryers/electric-dryers/criterion-reg-6-7-cu-ft-electric-dryer/cde41n1aw/p-1553236321791-c-5593.htm> (Year: 2021).*

Whirl Pool <https://www.lowes.com/pd/Whirlpool-Long-Vent-5-9-cu-ft-Electric-Dryer-White/1000014748> (Year: 2016).*

* cited by examiner

Primary Examiner — Michelle E. Wilson
Assistant Examiner — Richard E Yenchesky

(74) *Attorney, Agent, or Firm* — Kilpatrick Townsend & Stockton

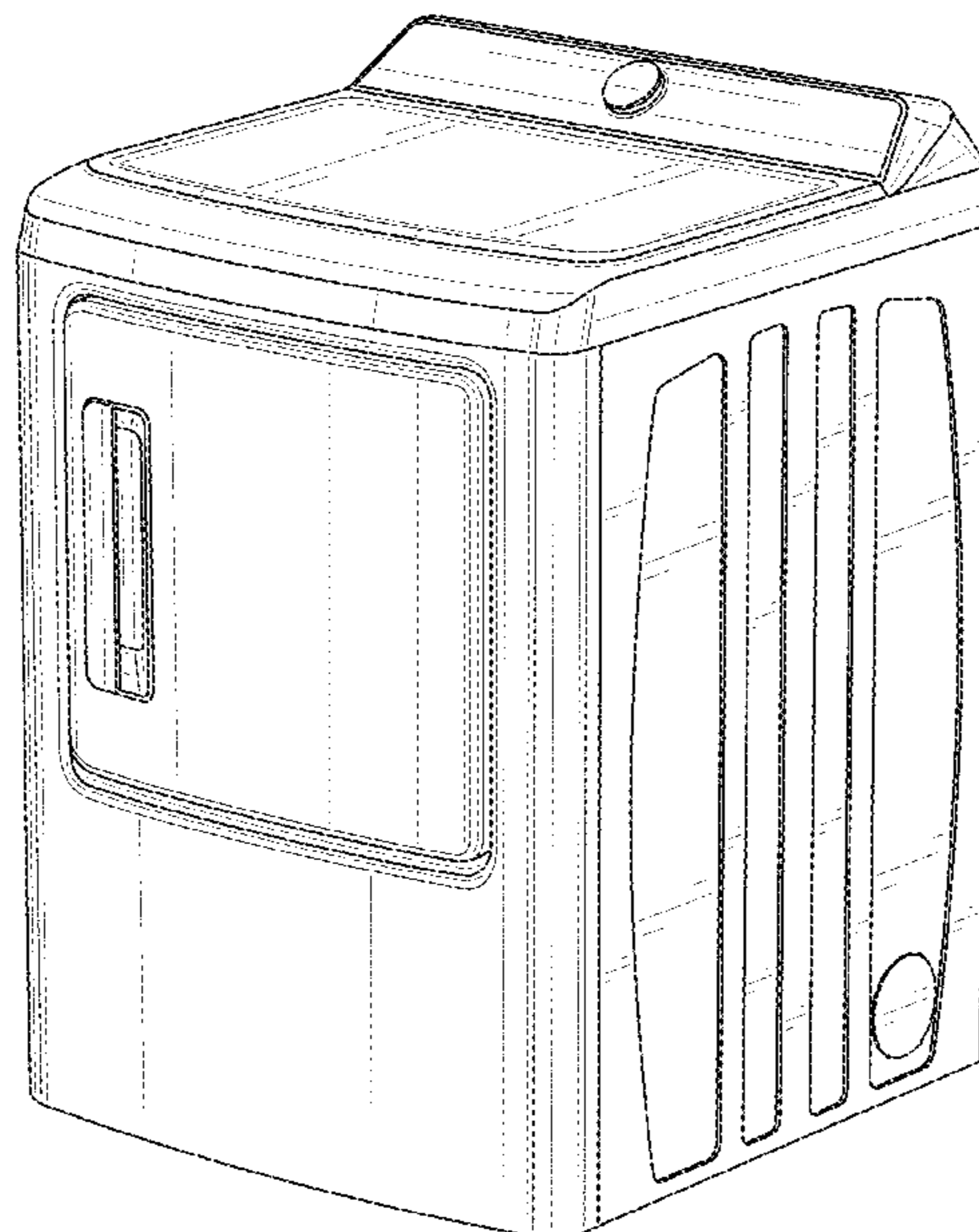
(57) **CLAIM**

The ornamental design of a clothes dryer, as shown and described.

DESCRIPTION

FIG. 1 is a front elevation view of an embodiment of a clothes dryer, showing our new design; FIG. 2 is a back elevation view thereof; FIG. 3 is a left elevation view thereof; FIG. 4 is a right elevation view thereof; FIG. 5 is a top plan view thereof; FIG. 6 is a bottom plan view thereof; FIG. 7 is a front right perspective view; and, FIG. 8 is a front left perspective view. The broken lines form no part of the claimed design.

1 Claim, 8 Drawing Sheets



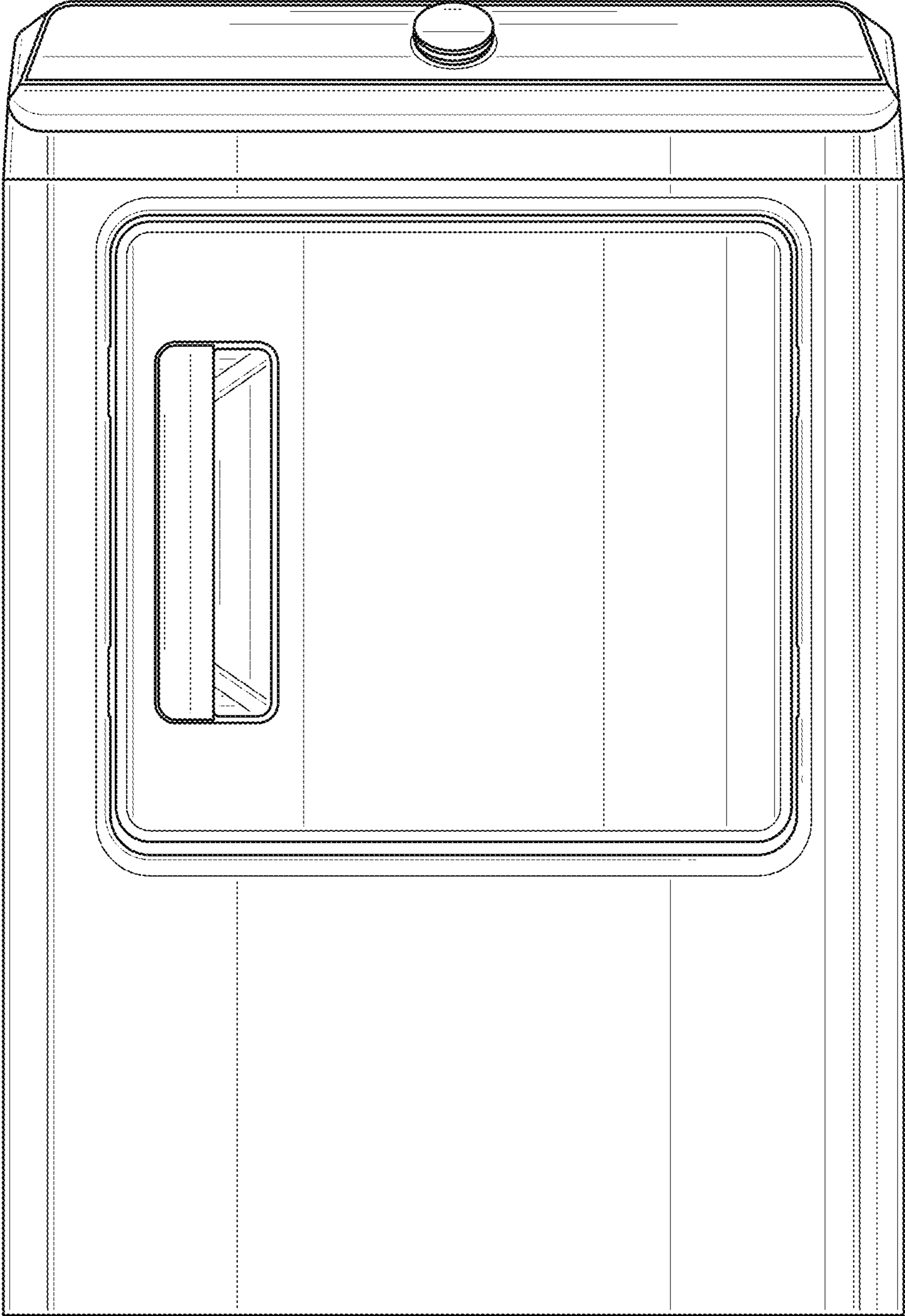


FIG. 1



FIG. 2

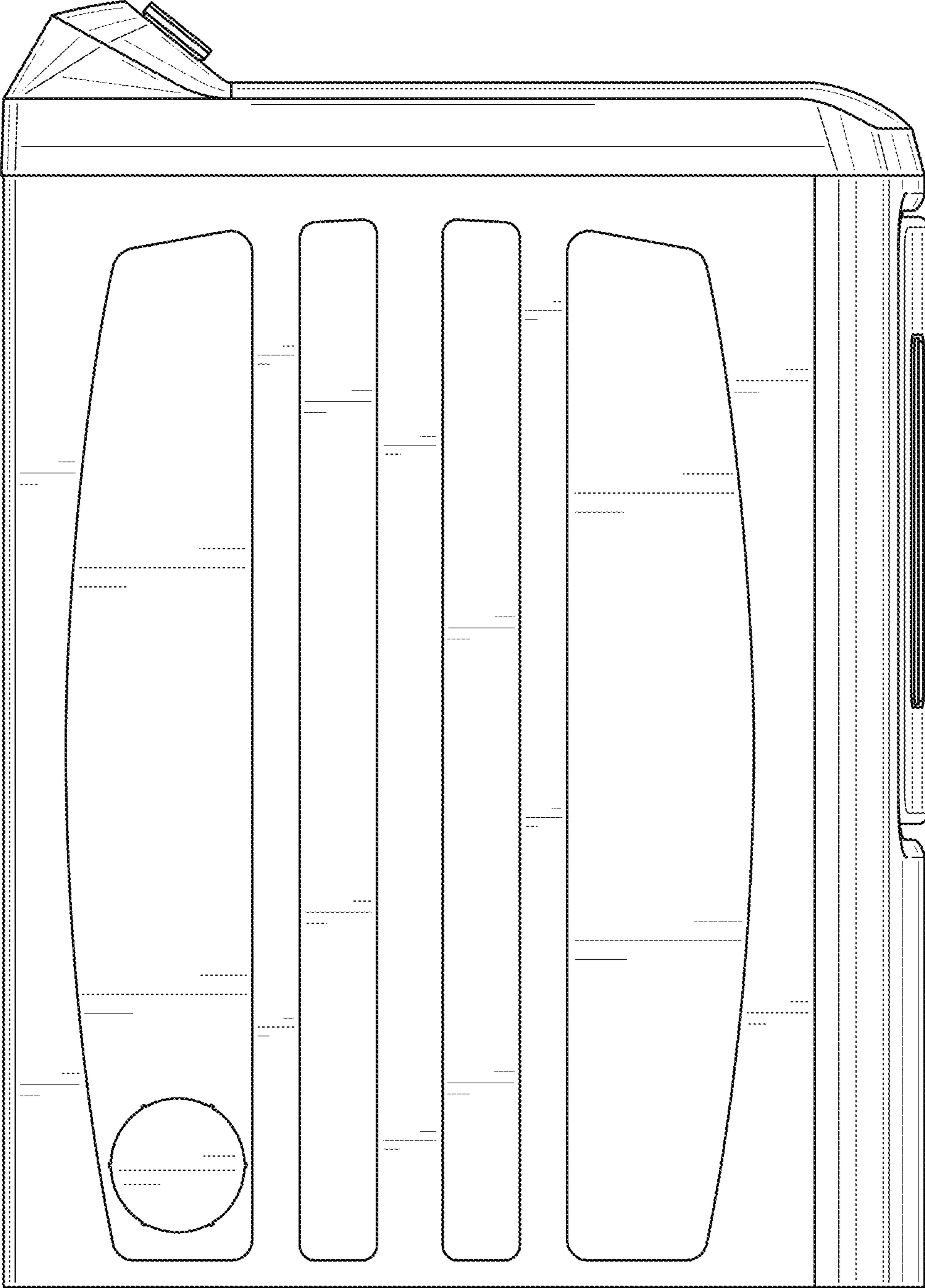


FIG. 3

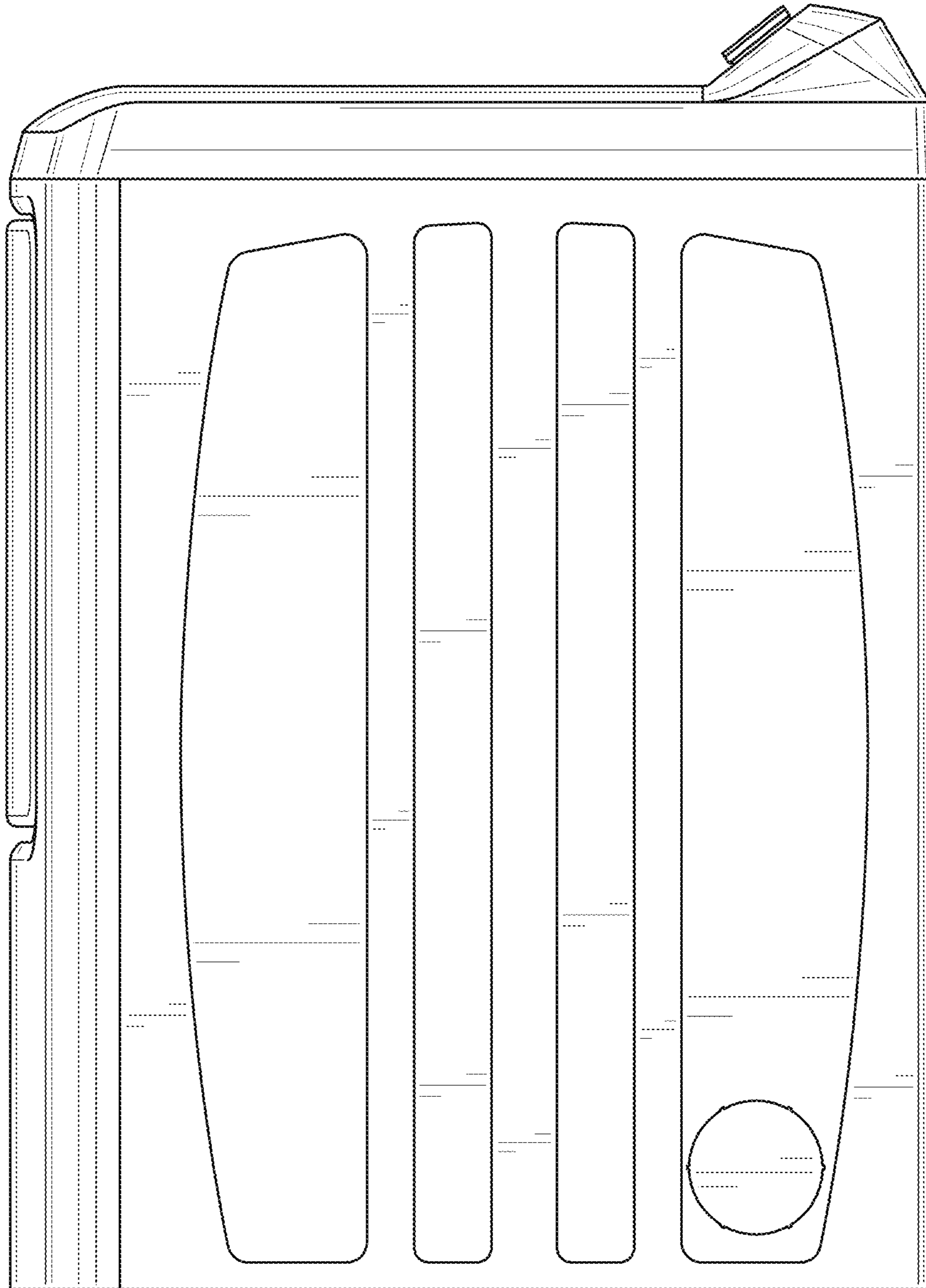


FIG. 4

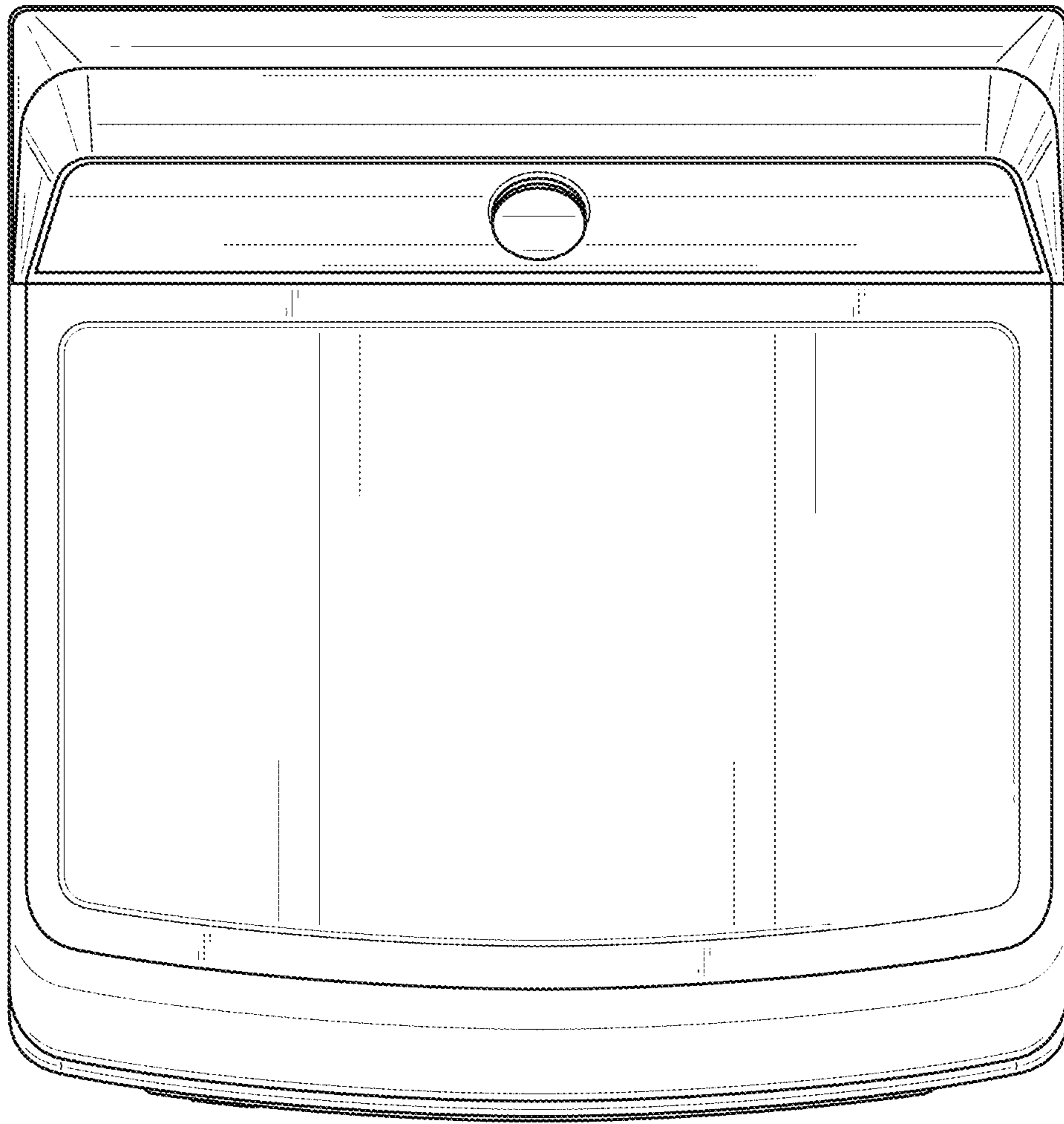


FIG. 5

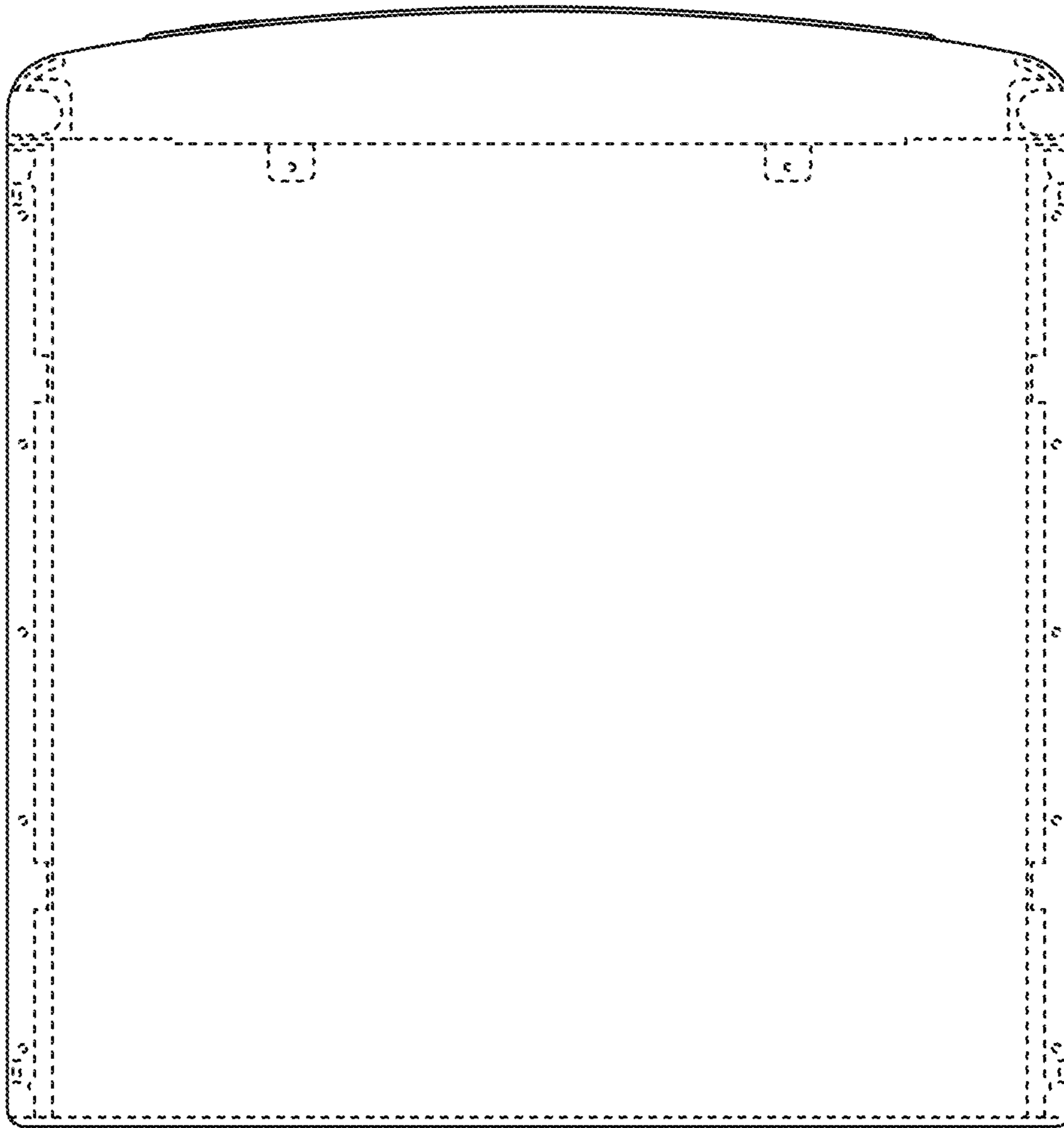


FIG. 6

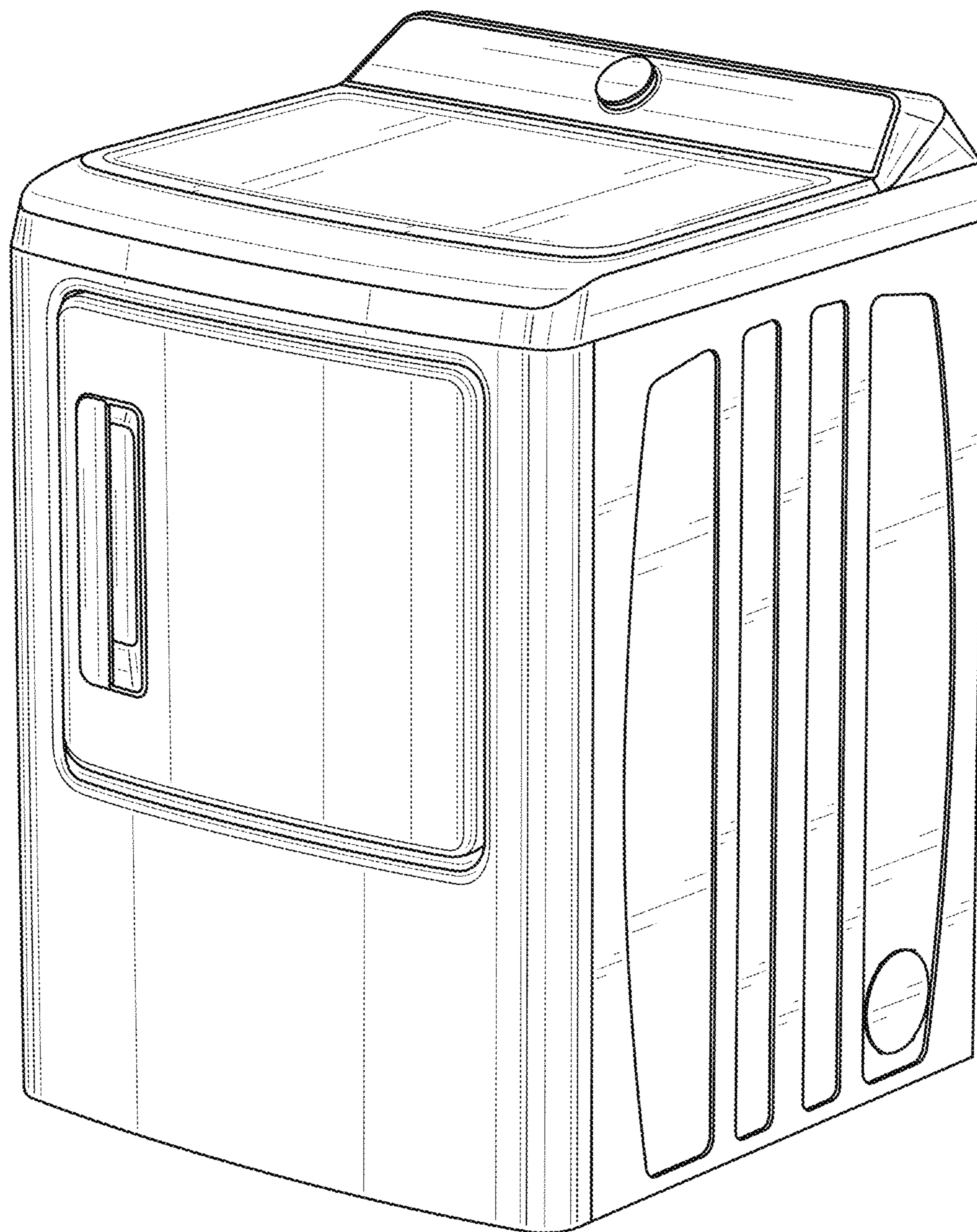


FIG. 7

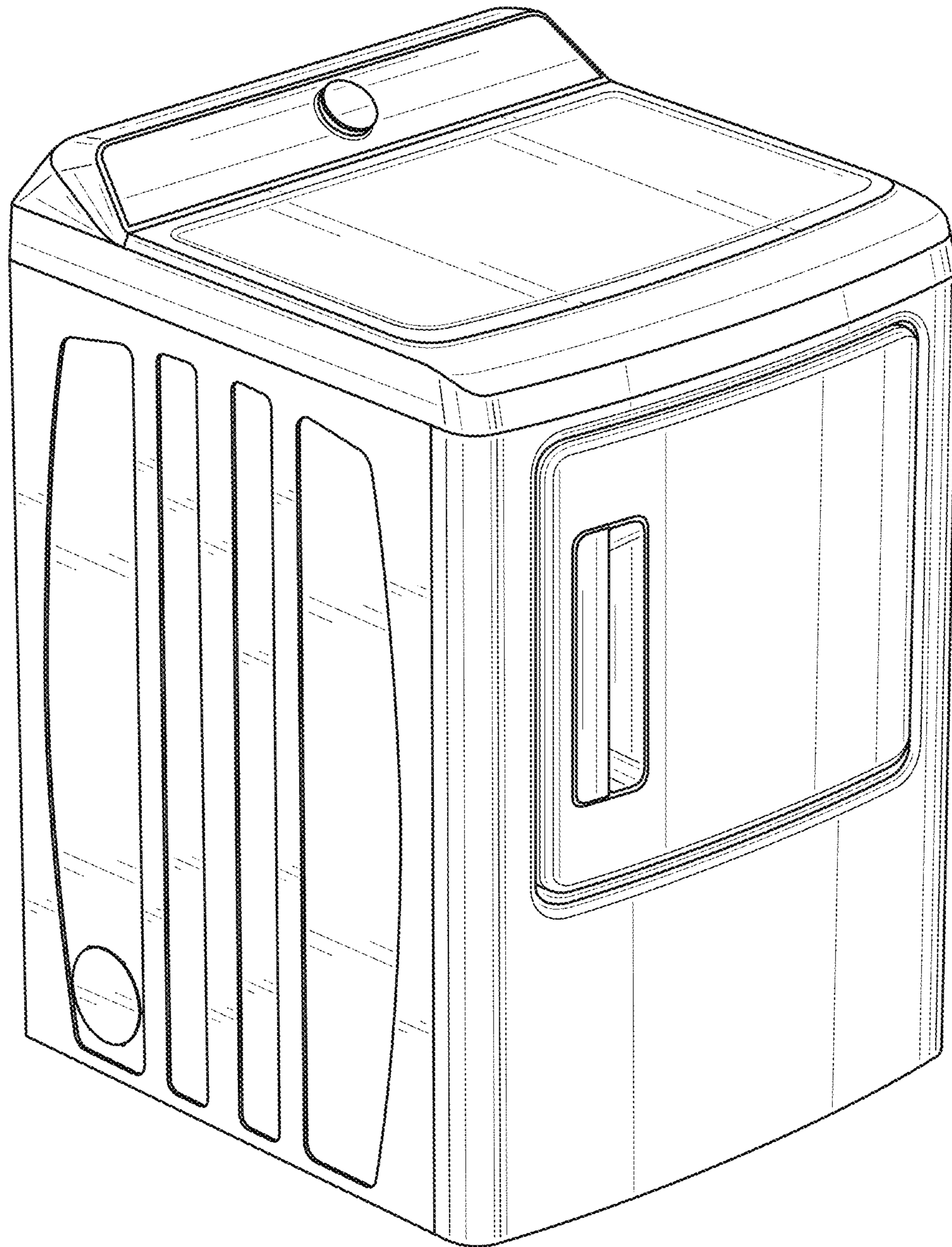


FIG. 8