



US00D934514S

(12) **United States Design Patent** (10) **Patent No.:** **US D934,514 S**  
**Wen** (45) **Date of Patent:** **\*\* Oct. 26, 2021**

(54) **REMOTE CONTROLLED DOG TRAINING DEVICE**

D898,309 S \* 10/2020 Yang ..... D30/199  
D904,214 S \* 12/2020 Zinn ..... D10/104.1  
D904,702 S \* 12/2020 Jia ..... D30/199

(71) Applicant: **Shenzhen Tianzhe Science And Technology Co., Limited**, Guangdong (CN)

**OTHER PUBLICATIONS**

(72) Inventor: **Jian Wen**, Shanghai (CN)

“Mini Training Collar for Small Dogs” available Dec. 6, 2020, [online], [site visited May 11, 2021], Retrieved from Internet, URL: [https://www.amazon.com/Mini-Training-Collar-Small-5-15lbs/dp/B08PTFYSFV/ref=pd\\_di\\_sccai\\_42](https://www.amazon.com/Mini-Training-Collar-Small-5-15lbs/dp/B08PTFYSFV/ref=pd_di_sccai_42) (Year: 2020).\*

(\*\*) Term: **15 Years**

“Dog Anti Bark Training Collar” available Jul. 8, 2020, [online], [site visited May 11, 2021], Retrieved from Internet, URL: [amazon.com/dp/B08CG7BHXS/ref=sspa\\_dk\\_detail\\_1](https://www.amazon.com/dp/B08CG7BHXS/ref=sspa_dk_detail_1) (Year: 2020).\*

(21) Appl. No.: **29/702,463**

\* cited by examiner

(22) Filed: **Aug. 20, 2019**

(51) **LOC (13) Cl.** ..... **30-99**

*Primary Examiner* — W. A. Teddy Falloway

(52) **U.S. Cl.**

*Assistant Examiner* — Katrina N Gonzalez

USPC ..... **D30/199**; D10/104.1

(74) *Attorney, Agent, or Firm* — Prakash Nama; Global IP Services, PLLC

(58) **Field of Classification Search**

USPC ..... D30/199; D10/104.1; 119/712, 714, 119/716-720, 722; D14/137

CPC ..... A01K 15/02; A01K 15/022

See application file for complete search history.

(57) **CLAIM**

The ornamental design for a remote controlled dog training device, as shown.

(56) **References Cited**

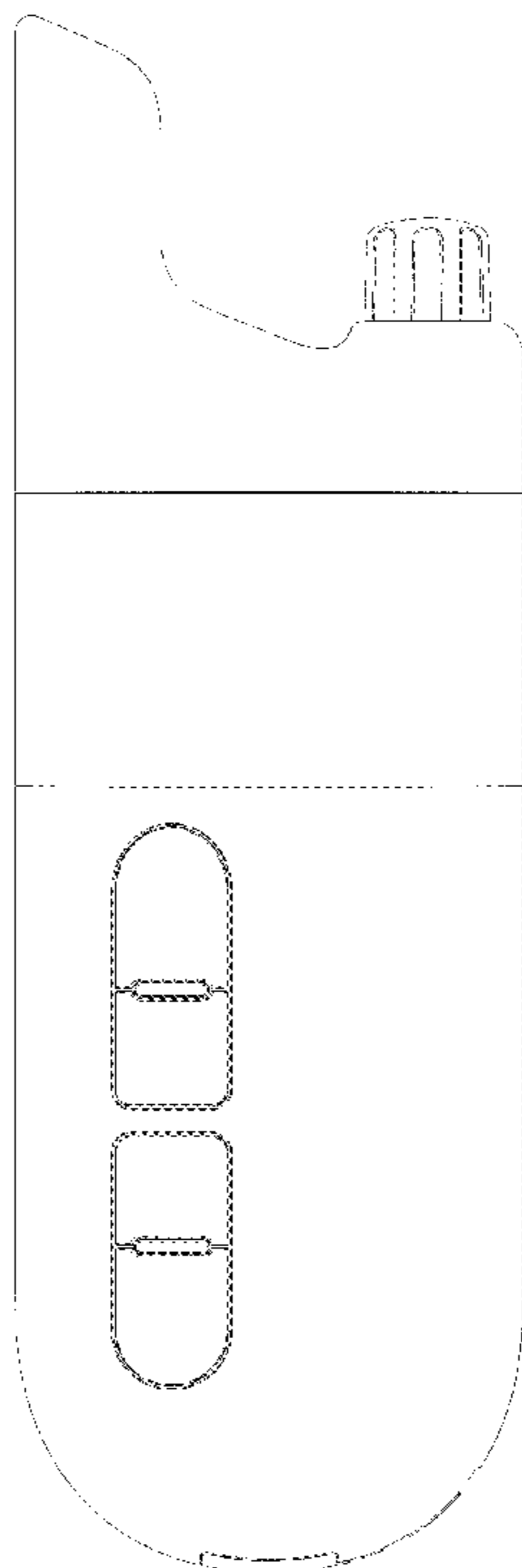
**DESCRIPTION**

**U.S. PATENT DOCUMENTS**

D805,701 S \* 12/2017 Li ..... D30/199  
D813,473 S \* 3/2018 Ni ..... D30/199  
D862,812 S \* 10/2019 Jia ..... D30/199  
D878,315 S \* 3/2020 Zhou ..... D14/137  
D881,486 S \* 4/2020 Li ..... D30/199  
D883,829 S \* 5/2020 Nytko ..... D10/104.1  
D884,995 S \* 5/2020 Ni ..... D30/199  
D897,057 S \* 9/2020 Jia ..... D30/199  
D898,307 S \* 10/2020 Yang ..... D30/199  
D898,308 S \* 10/2020 Yang ..... D30/199

FIG. 1 is a front elevational view of a remote controlled dog training device showing my new design;  
FIG. 2 is a rear elevational view thereof;  
FIG. 3 is a left side view thereof;  
FIG. 4 is a right side view thereof;  
FIG. 5 is an enlarged top plan view thereof;  
FIG. 6 is an enlarged bottom plan view thereof;  
FIG. 7 is a perspective view thereof; and,  
FIG. 8 is another perspective view thereof.

**1 Claim, 7 Drawing Sheets**



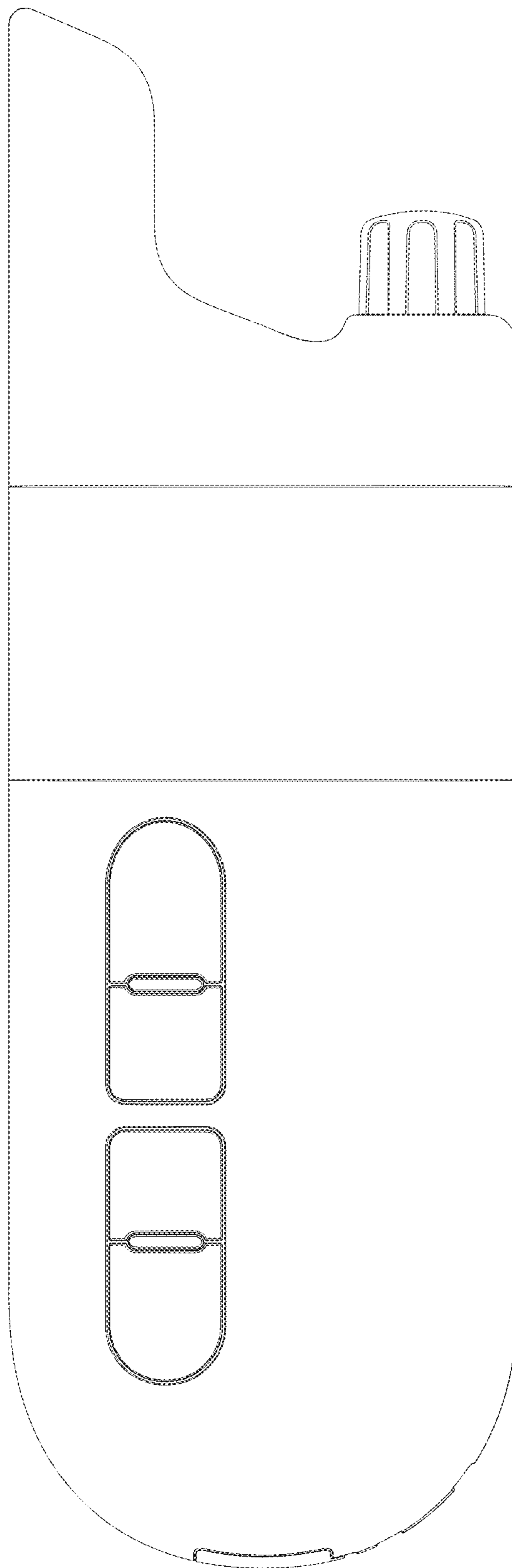


FIG. 1

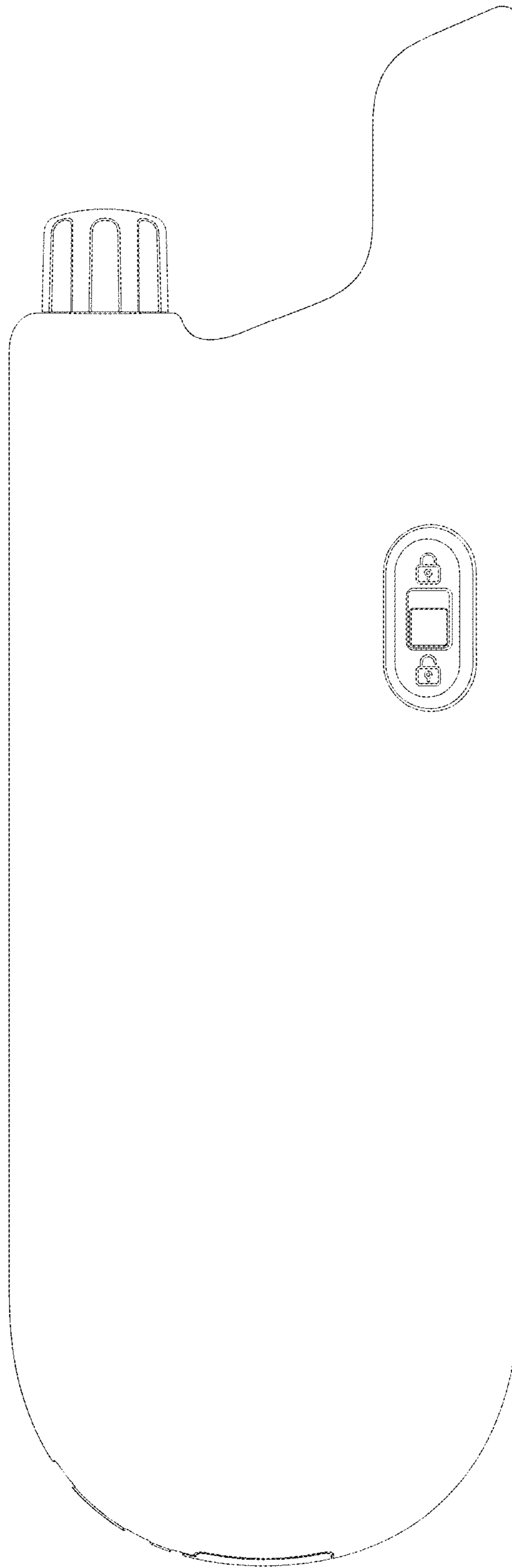


FIG. 2

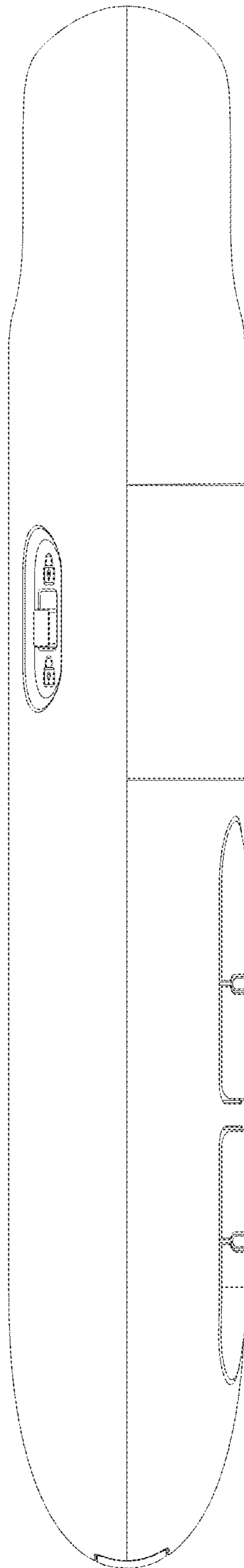


FIG. 3

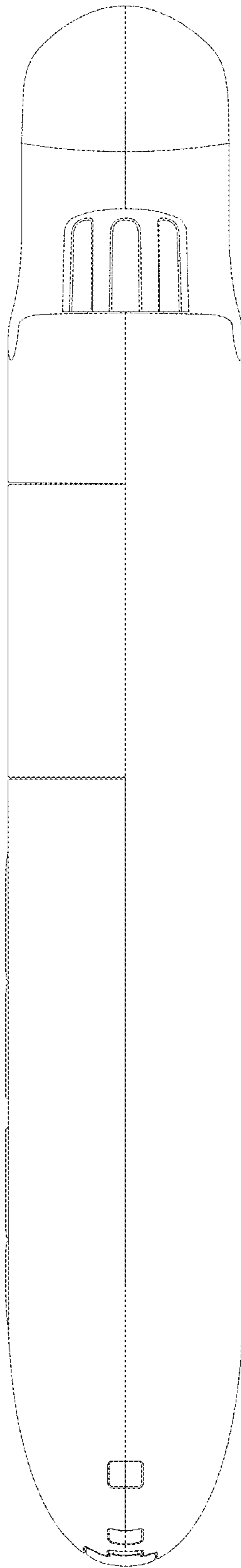


FIG. 4

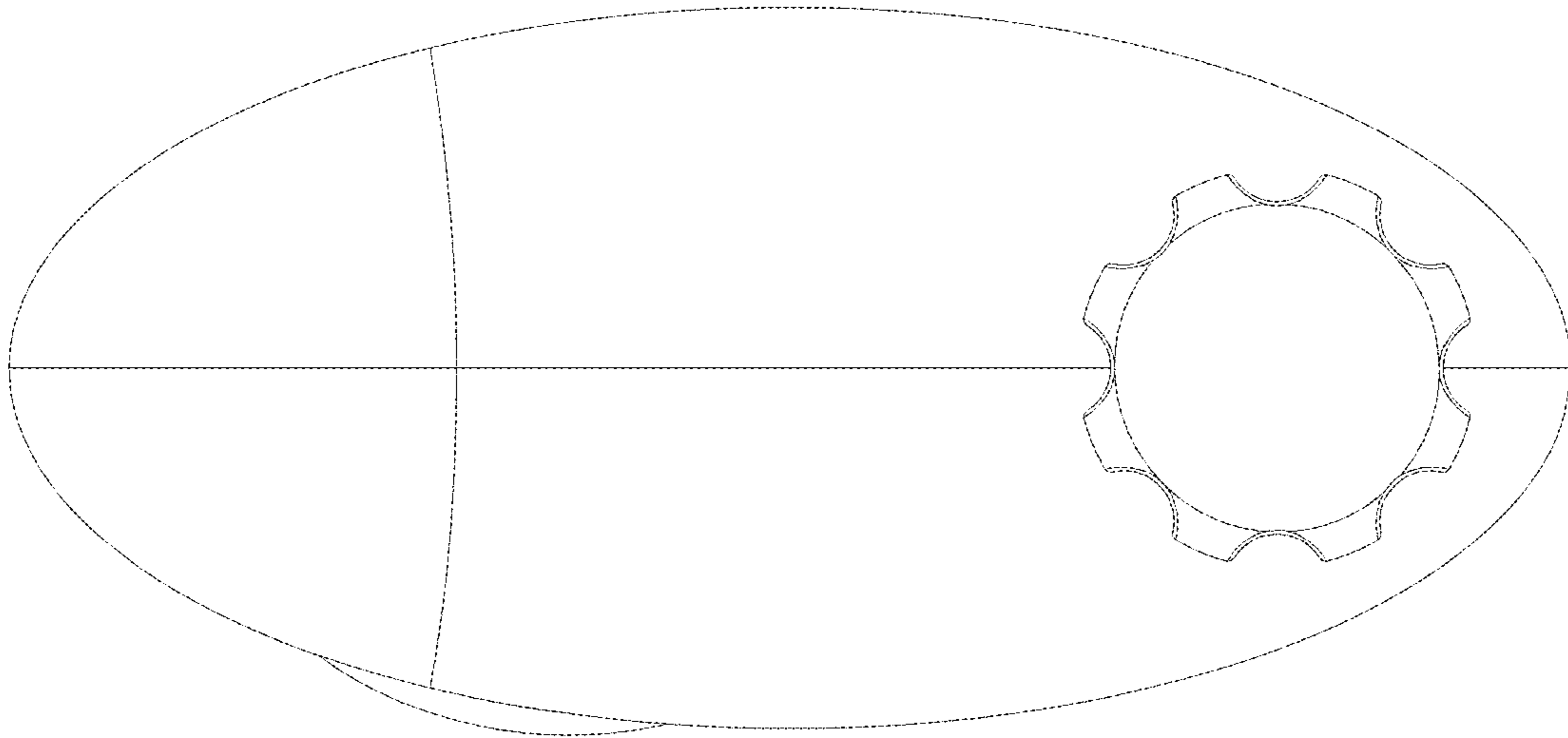


FIG. 5

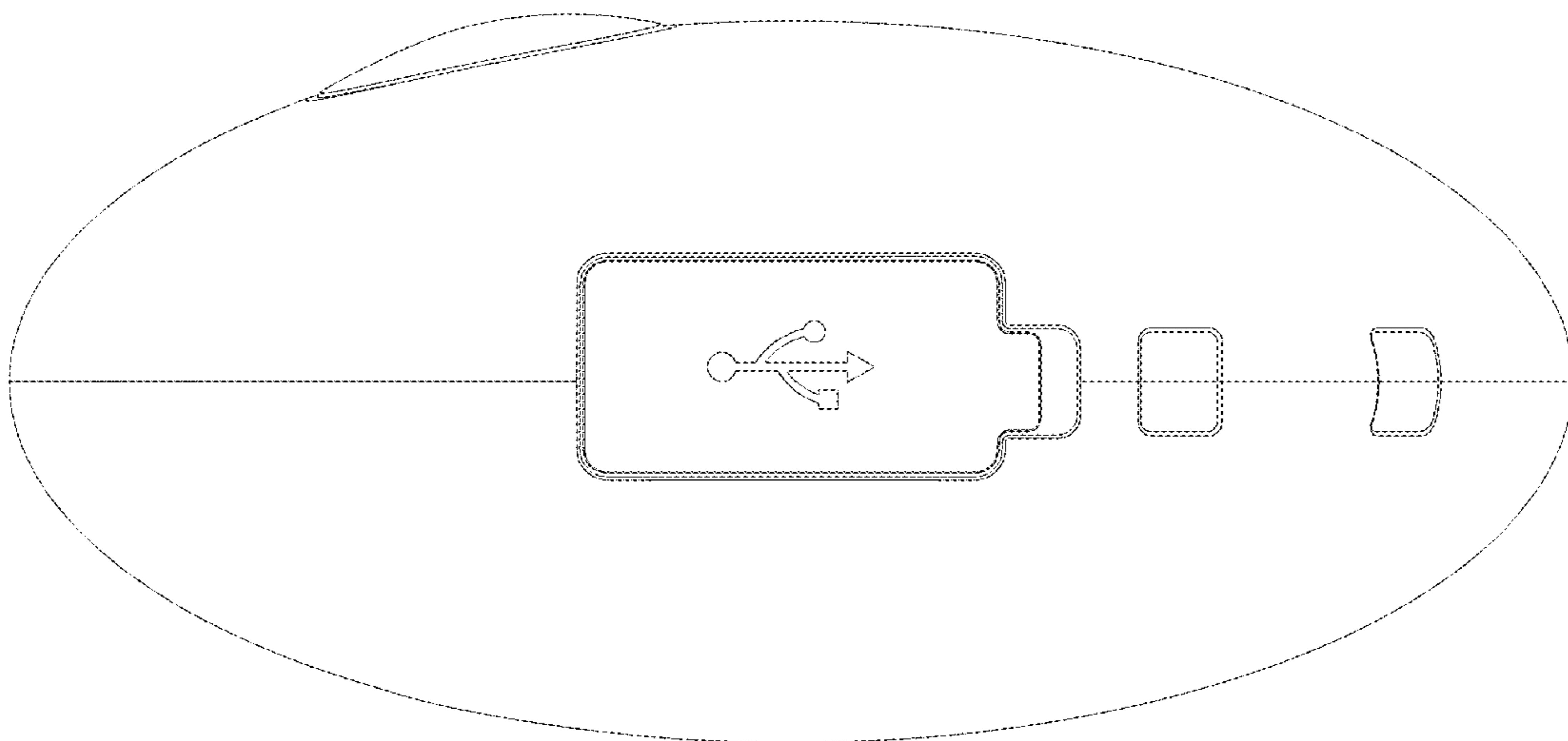


FIG. 6

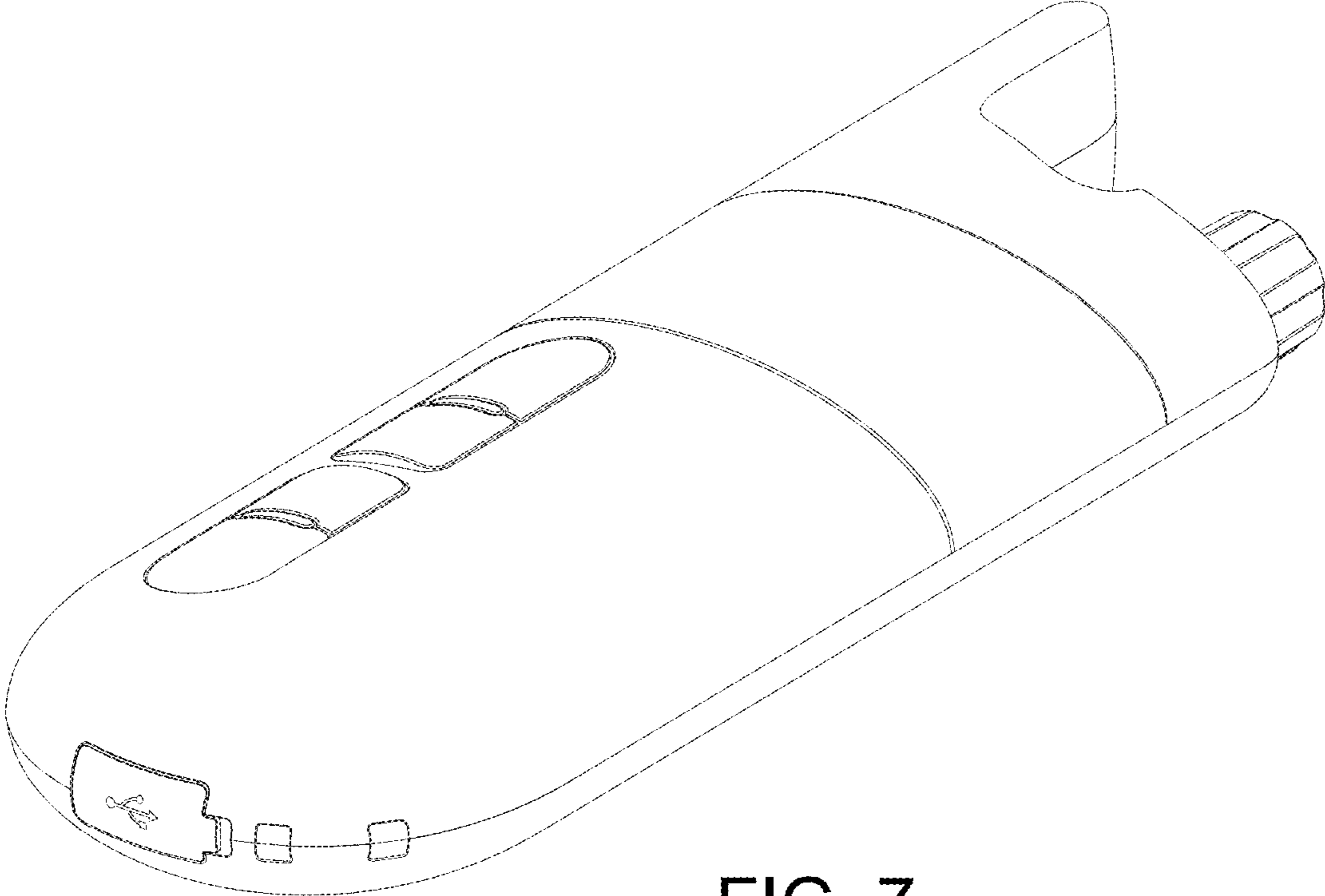


FIG. 7

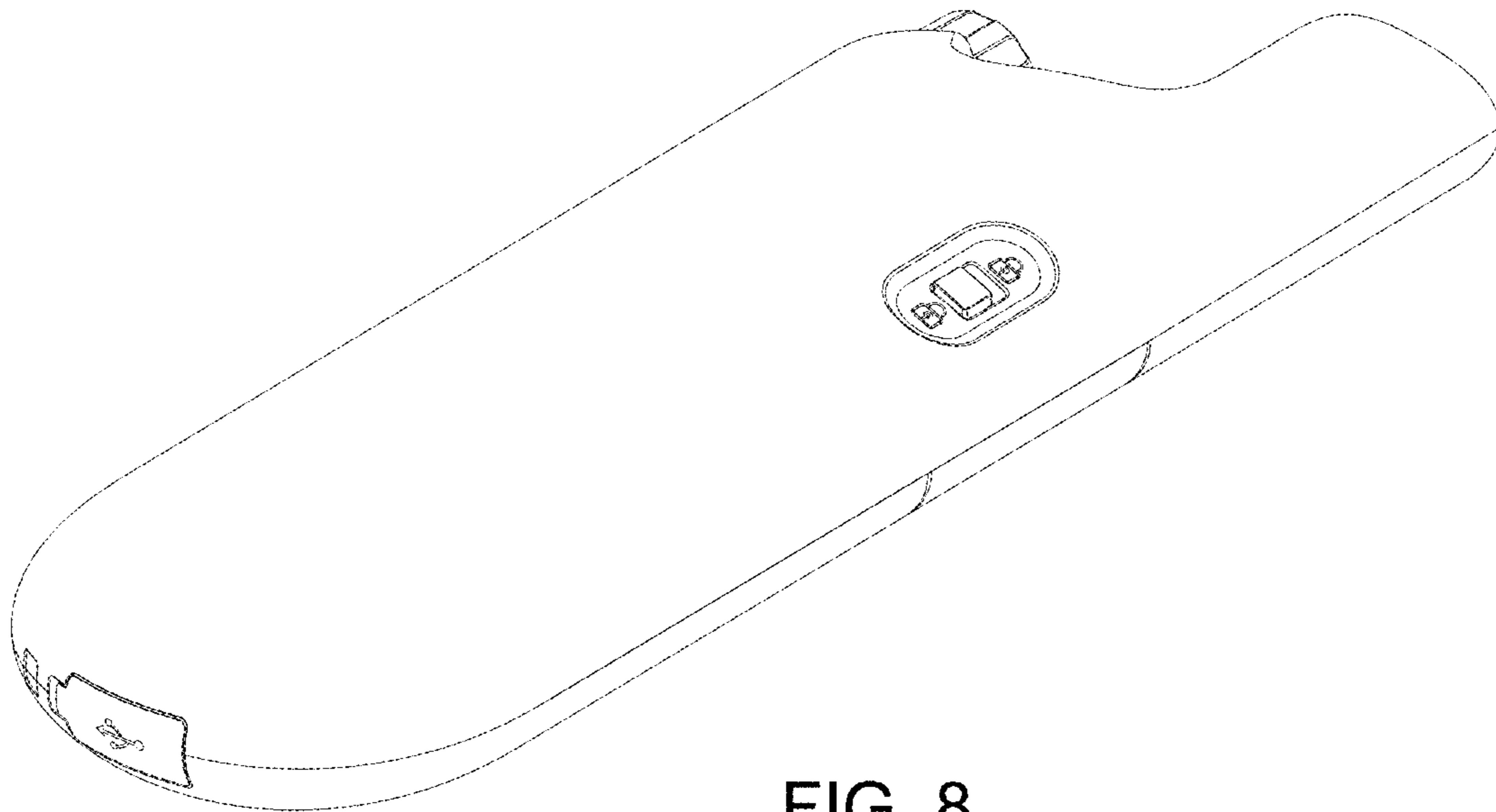


FIG. 8