



US00D934512S

(12) **United States Design Patent**
Xiao

(10) **Patent No.:** **US D934,512 S**
(45) **Date of Patent:** **** Oct. 26, 2021**

(54) **POOPER SCOOPER**

(71) Applicant: **GuoQiang Xiao**, Ledong (CN)

(72) Inventor: **GuoQiang Xiao**, Ledong (CN)

(**) Term: **15 Years**

(21) Appl. No.: **29/717,136**

(22) Filed: **Dec. 16, 2019**

(51) **LOC (13) Cl.** **30-99**

(52) **U.S. Cl.**
USPC **D30/162; D30/161**

(58) **Field of Classification Search**
USPC D30/162, 199; 273/447; D8/4, 52, 58, D8/51; D34/1, 10, 28, 34, 35; D21/532; D29/124; D7/642, 644, 683, 685, 686, D7/687, 688; 119/867, 161; 294/1.3-1.5, 19.2, 19.3, 86.4, 86.11, 294/86.19, 86.42, 86.12, 86.17, 86.2, 294/86.21, 86.24, 86.26, 86.32, 87.26, 294/196-198, 210, 111, 49-57; 132/273, 132/277, 283, 284, 128-156, 236, 252, 132/259-263; 15/257.1; 446/424-428, 446/491, 330, 86; 403/326

CPC A01K 1/01; A01K 23/005; A01K 29/00; E01H 1/1206; E01H 1/12; E01H 1/1213; E01H 2001/122; E01H 2001/1226; E01H 2001/1233; E01H 2001/1246; E01H 2001/1293; E01H 2001/128; A63H 17/266; A63H 17/12; A63H 17/26; A63H 23/005; A63H 23/16; A63H 33/3044; A63H 33/3072; B25J 1/02; B25J 1/06; B25J 1/04; Y10T 403/60

See application file for complete search history.

4,179,145 A * 12/1979 Shinsako E01H 1/1206
294/1.4

D253,915 S * 1/1980 Hennessy D30/162

4,248,468 A * 2/1981 Hastings E01H 1/1206
294/1.4

D281,108 S * 10/1985 Wilson 294/1.4

D333,073 S * 2/1993 Linscott D8/4

D368,003 S * 3/1996 Simon D30/162

5,503,442 A * 4/1996 Lee E01H 1/1206
294/1.4

5,601,321 A * 2/1997 Simon E01H 1/1206
294/1.4

6,983,966 B2 * 1/2006 Azrikam E01H 1/1206
294/1.4

7,178,843 B2 * 2/2007 Askinasi E01H 1/1206
294/1.4

7,448,659 B1 * 11/2008 Auseklis E01H 1/1206
294/1.4

(Continued)

Primary Examiner — Susan Moon Lee

(57) **CLAIM**

The ornamental design for a pooper scooper, as shown and described.

DESCRIPTION

FIG. 1 is a first perspective view of a pooper scooper showing my new design;

FIG. 2 is a second perspective view thereof;

FIG. 3 is a front view thereof;

FIG. 4 is a back view thereof;

FIG. 5 is a left side view thereof;

FIG. 6 is a right side view thereof;

FIG. 7 is a top view thereof; and,

FIG. 8 is a bottom view thereof.

The broken lines shown in the drawings depict portions of the pooper scooper in which the design is embodied that form no part of the claimed design.

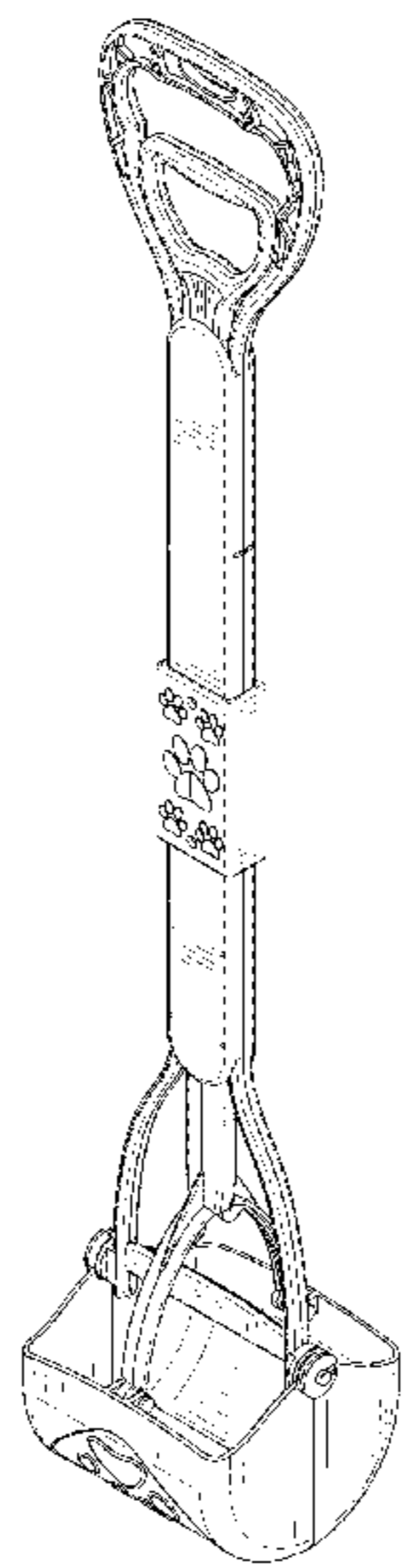
1 Claim, 8 Drawing Sheets

(56) **References Cited**

U.S. PATENT DOCUMENTS

652,077 A * 6/1900 Burson A01B 1/18
294/50.8

3,929,363 A * 12/1975 Kahan E01H 1/1206
294/1.4



(56)

References Cited

U.S. PATENT DOCUMENTS

D602,656 S *	10/2009	Fuhrer	D30/162				
8,011,705 B1 *	9/2011	Holbrook	E01H 1/1206				
				294/1.4				
8,235,434 B2 *	8/2012	Lipscomb	E01H 1/1206				
				294/1.4				
8,292,339 B1 *	10/2012	Auseklis	E01H 1/1206				
				294/1.4				
8,714,604 B1 *	5/2014	Mihalic	E01H 1/1206				
				294/1.4				
8,733,808 B2 *	5/2014	Andersen	A01K 29/00				
				294/1.4				
D720,020 S *	12/2014	Chen	D21/532				
8,939,481 B1 *	1/2015	Qi	E01H 1/1206				
				294/1.4				
9,091,031 B2 *	7/2015	Naseem	E01H 1/1206				
9,163,370 B2 *	10/2015	Qiu	E01H 1/1206				
9,217,231 B2 *	12/2015	Briski	E01H 1/1206				
9,656,808 B2 *	5/2017	Rivas	B65G 7/12				
D802,229 S *	11/2017	Rouayroux	D30/162				
10,370,810 B1 *	8/2019	Times	E01H 1/1206				
10,548,297 B2 *	2/2020	Weatherly	A01K 27/004				
10,709,112 B1 *	7/2020	Times-Dudley	A01K 23/005				
10,801,171 B1 *	10/2020	McCormick	E01H 1/12				
10,834,900 B2 *	11/2020	Smith	E01H 1/1206				
D925,142 S *	7/2021	Jia	D30/199				
2004/0066049 A1 *	4/2004	Azrikam	E01H 1/1206				
				294/1.4				
2004/0130169 A1 *	7/2004	Askingsi	E01H 1/1206				
				294/1.4				
2004/0169384 A1 *	9/2004	Boutwell	E01H 1/1206				
				294/1.4				
2007/0194580 A1 *	8/2007	Raasch	E01H 1/1206				
				294/1.4				
2008/0012366 A1 *	1/2008	Tsukamoto	A01K 23/005				
				294/1.5				
2008/0030033 A1 *	2/2008	Taylor	E01H 1/1206				
				294/1.4				
2008/0265592 A1 *	10/2008	Askinasi	E01H 1/1206				
				294/1.4				
2009/0278366 A1 *	11/2009	Lipscomb	E01H 1/1206				
				294/1.4				
2012/0274089 A1 *	11/2012	Green	E01H 1/1206				
				294/1.4				
2012/0292933 A1 *	11/2012	Krupp	E01H 1/1206				
				294/1.4				
2013/0062896 A1 *	3/2013	Ahern	E01H 1/1206				
				294/1.4				
2014/0203579 A1 *	7/2014	Qiu	E01H 1/1206				
				294/1.4				
2015/0042112 A1 *	2/2015	Briski	E01H 1/1206				
				294/1.4				
2015/0167264 A1 *	6/2015	Naseem	E01H 1/1206				
				294/1.4				
2016/0153158 A1 *	6/2016	Karius	E01H 1/1206				
				294/1.4				
2016/0376760 A1 *	12/2016	Johnson	E01H 1/1206				
				294/1.4				
2017/0037588 A1 *	2/2017	Huitt	E01H 1/006				
2017/0191235 A1 *	7/2017	Bean	B25J 1/04				
2019/0320617 A1 *	10/2019	Weatherly	A01K 27/007				

* cited by examiner

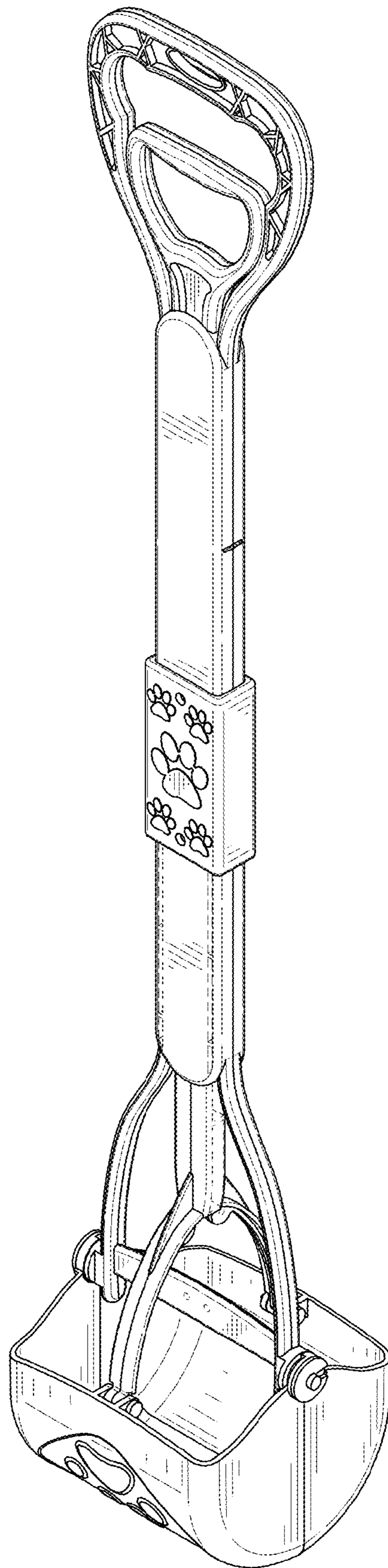


FIG. 1

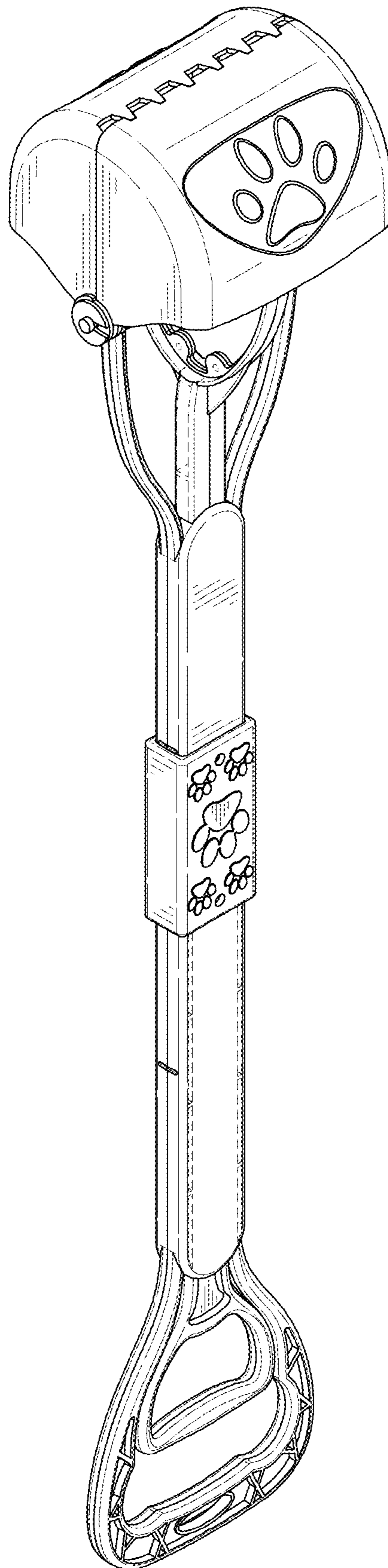


FIG. 2

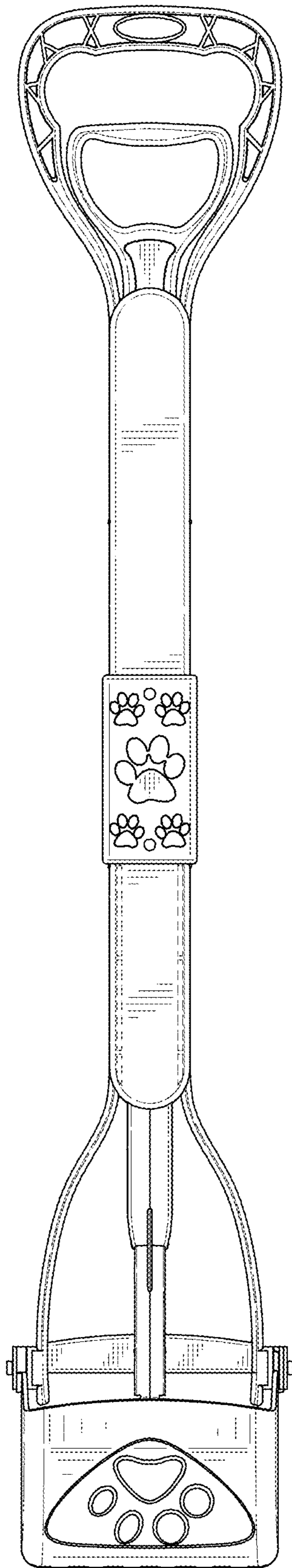


FIG. 3

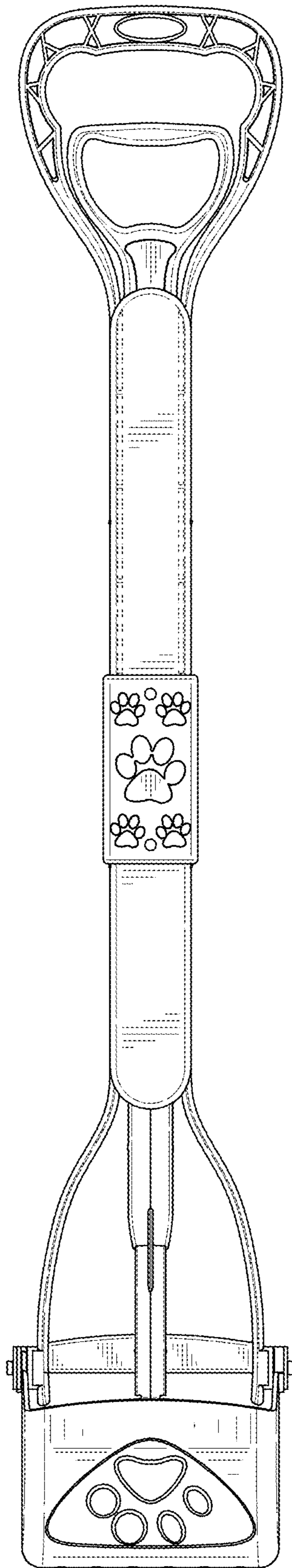


FIG. 4

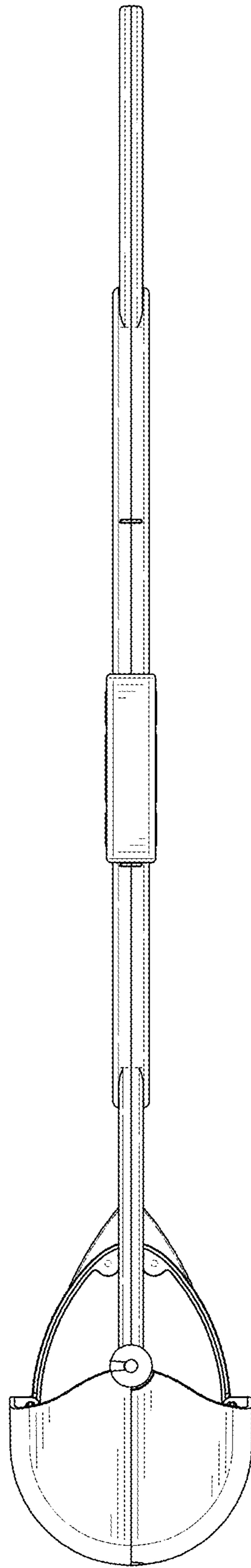


FIG. 5

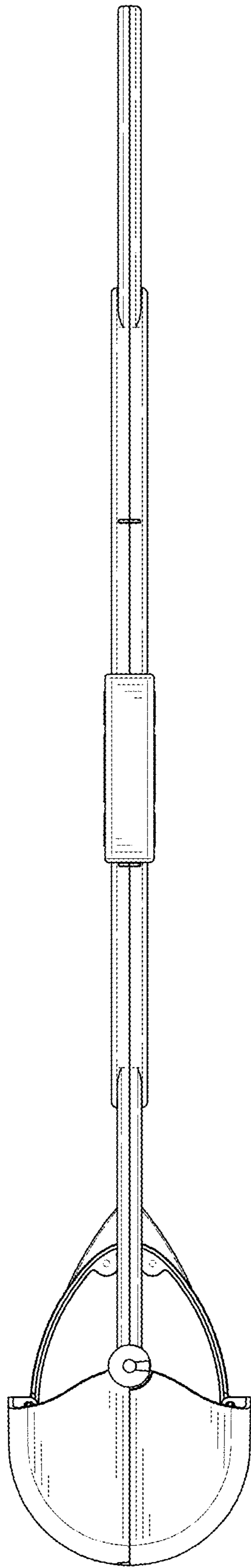


FIG. 6

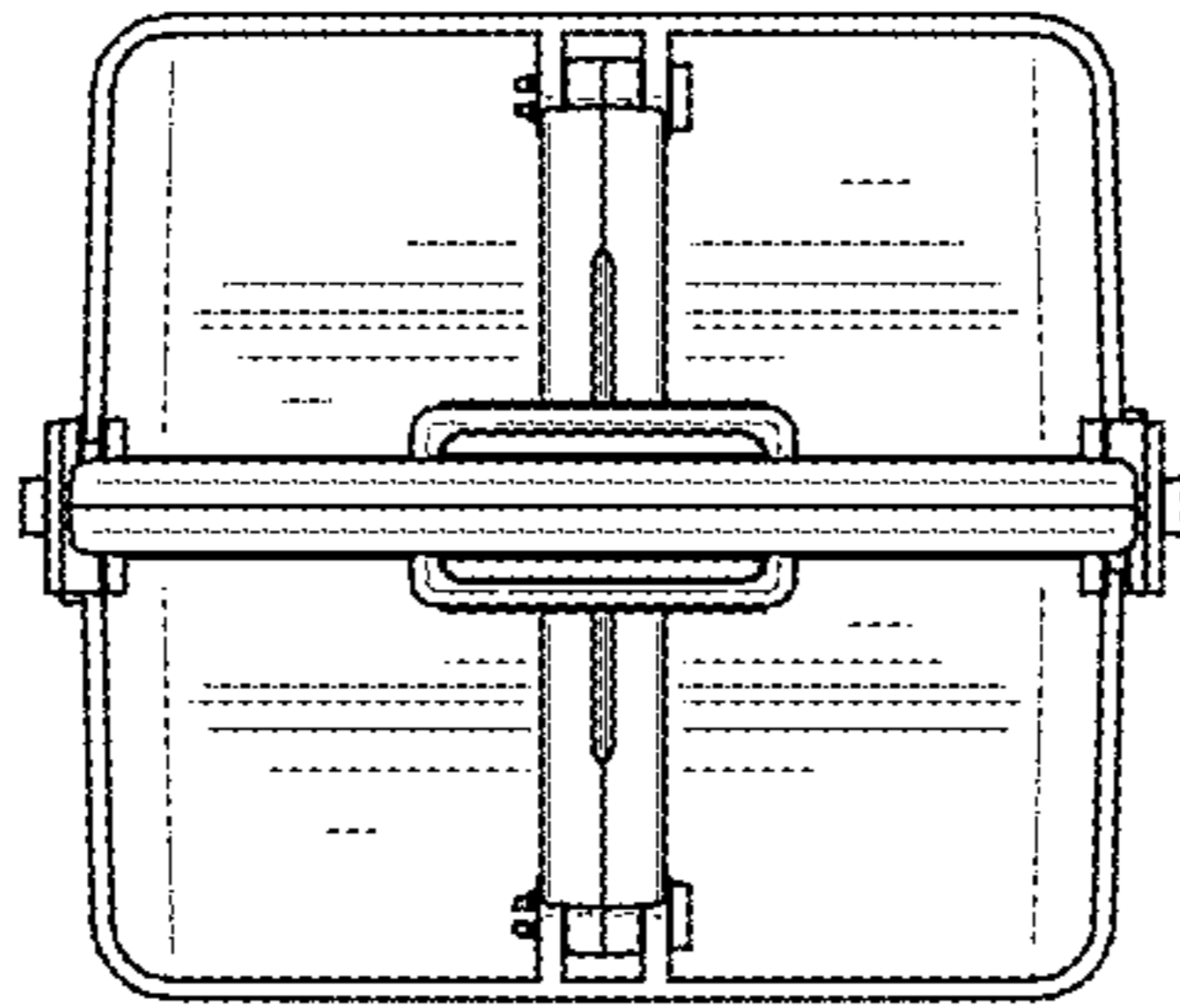


FIG. 7

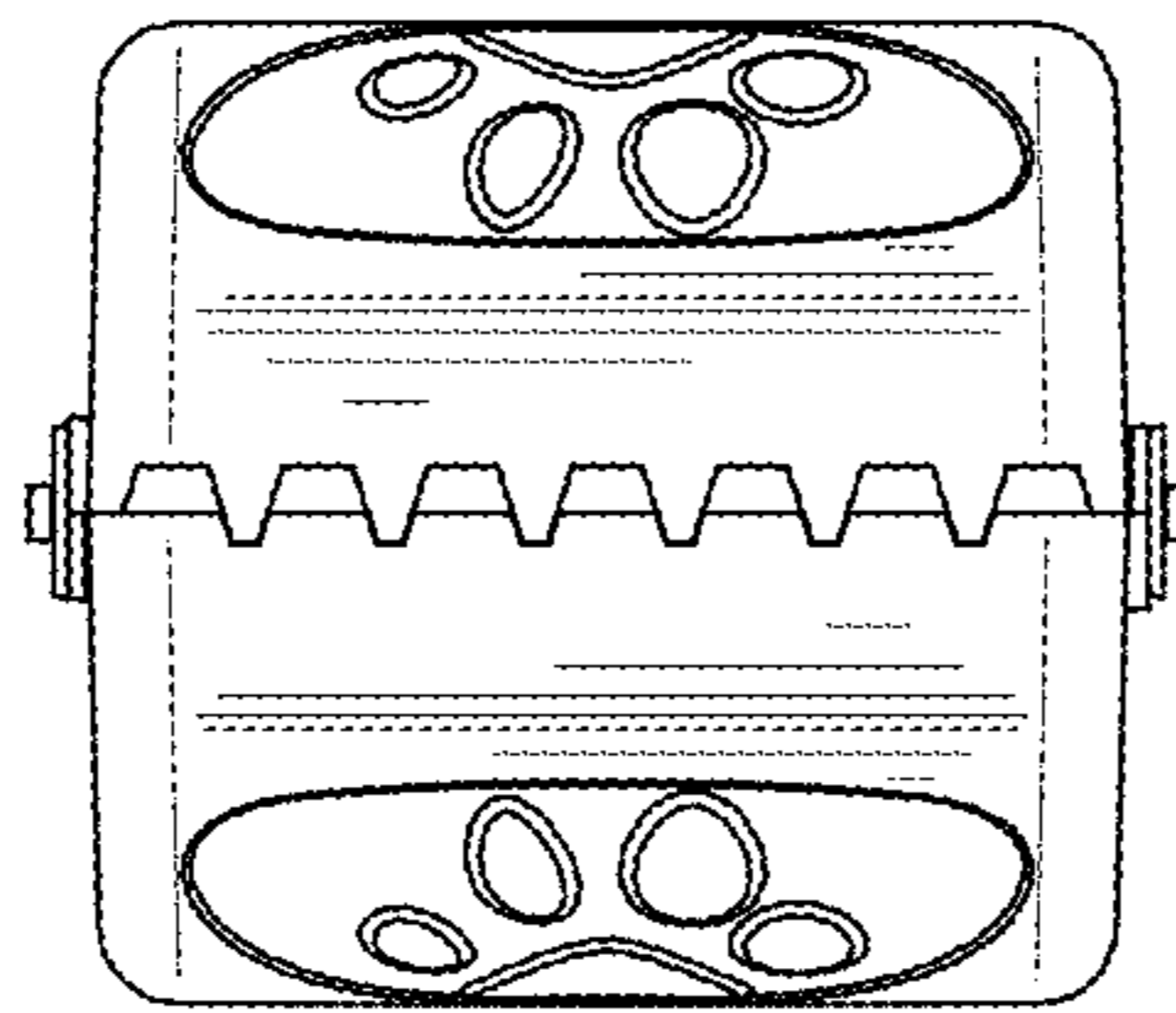


FIG. 8