



US00D934510S

(12) **United States Design Patent** (10) **Patent No.:** **US D934,510 S**
Liu (45) **Date of Patent:** **** Oct. 26, 2021**

(54) **WATER FEEDER FOR CHICKEN**

(71) Applicant: **Jinjian Liu**, Shantou (CN)

(72) Inventor: **Jinjian Liu**, Shantou (CN)

(**) Term: **15 Years**

(21) Appl. No.: **29/768,847**

(22) Filed: **Feb. 1, 2021**

(51) **LOC (13) Cl.** **30-03**

(52) **U.S. Cl.**
 USPC **D30/132**

(58) **Field of Classification Search**
 USPC D30/123, 129, 132, 121; 119/69.5, 673,
 119/57.8, 68, 74, 61.57, 78-81, 61.4,
 119/57.9, 51.5, 61.5, 72, 475; 47/66.6,
 47/39, 67, 83; 239/280, 200, 281, 280.5,
 239/273, 16-32, 211, 216, 288.5; 4/644,
 4/627, 638; D7/558; D11/144, 145, 153;
 D99/5, 24; 27/1; D23/201, 292, 204,
 D23/205, 214-216, 221, 222, 228, 229,
 D23/233, 200, 212, 213; 248/127, 132,
 248/137, 138, 158, 910; 215/10;
 D6/353, 352, 484, 360, 480, 488;
 219/521; 329/442, 459; 99/452, 483;
 40/406, 407; 261/29, 106, 73; 137/560,
 137/563, 801; 55/385.2; 417/527, 313;
 431/292-294, 289; 362/101; D26/6, 9;
 D32/75; D8/1

CPC ... A01K 7/00; A01K 7/02; A01K 7/06; A01K
 7/04; A01K 7/005; A01K 7/022; A01K
 7/025; A01K 7/027; A01K 5/0216; A01K
 39/02; A01K 39/022; A01K 39/024; F04B
 23/00; F04B 23/02; F04B 23/021; F04B
 23/026; B05B 17/08; B05B 17/085;
 B01D 35/30; Y10T 137/86035; Y10T
 137/8376; Y10T 137/85954-85978

See application file for complete search history.

(56) **References Cited**

U.S. PATENT DOCUMENTS

1,259,253 A * 3/1918 McCullough A01K 39/02
 119/74

2,220,421 A * 11/1940 Munson A01K 7/06
 119/75

2,319,928 A * 5/1943 Hart A01K 39/02
 119/75

2,616,444 A * 11/1952 Norland A01K 39/022
 137/408

2,654,346 A * 10/1953 Goff A01K 39/02
 119/81

D177,053 S * 3/1956 Kofford D30/132

(Continued)

OTHER PUBLICATIONS

StoutAgri Poultry Drinker, <https://www.agriexpo.online/prod/stoutagri/product-186183-113335.html> 2021 (Year: 2021).*

(Continued)

Primary Examiner — Susan Moon Lee

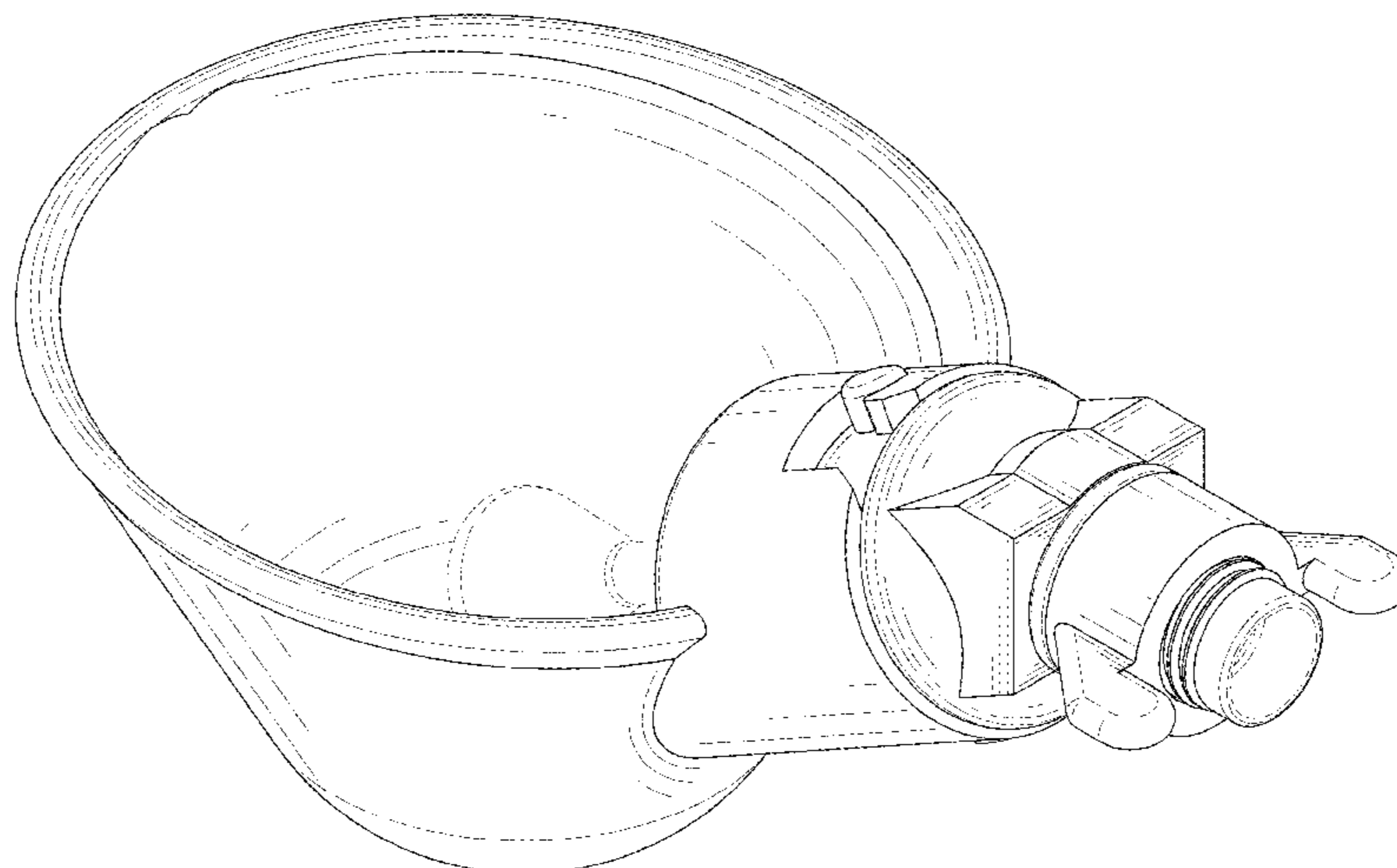
(57) **CLAIM**

The ornamental design for a water feeder for chicken, as shown and described.

DESCRIPTION

FIG. 1 is a front and top perspective view of a water feeder for chicken, showing my new design;
 FIG. 2 is a rear and bottom perspective view thereof;
 FIG. 3 is a front elevation view thereof;
 FIG. 4 is a rear elevation view thereof;
 FIG. 5 is a left side elevation view thereof;
 FIG. 6 is a right side elevation view thereof;
 FIG. 7 is a top plan view thereof; and,
 FIG. 8 is a bottom plan view thereof.

(Continued)



The broken lines in the figures illustrate portions of the water feeder for chicken that form no part of the claimed design.

1 Claim, 8 Drawing Sheets

(56)

References Cited

U.S. PATENT DOCUMENTS

2,796,077 A * 6/1957 Kofford A01K 39/022
137/408
2,845,046 A * 7/1958 Hart A01K 39/02
119/75
2,848,013 A * 8/1958 Kofford A01K 39/022
137/408
3,353,518 A * 11/1967 Hart A01K 39/02
119/75
3,357,406 A * 12/1967 Robinson A01K 7/06
119/73
3,483,847 A * 12/1969 Kneubuehl A01K 39/0213
119/75
3,563,207 A * 2/1971 Kofford A01K 39/02
119/75
3,648,663 A * 3/1972 Kofford A01K 39/02
119/75
D234,145 S * 1/1975 Peppler, et al. D30/132
3,862,621 A * 1/1975 Peppler A01K 39/02
119/75
3,870,022 A * 3/1975 Hart A01K 39/02
119/75
3,952,706 A * 4/1976 Hart A01K 7/06
119/75
3,983,844 A * 10/1976 Hart A01K 7/06
119/75
3,994,263 A * 11/1976 Sahagun A01K 7/06
119/75
4,185,590 A * 1/1980 Hostetler A01K 39/022
119/81
4,221,188 A * 9/1980 Hostetler A01K 7/02
119/72

4,248,178 A * 2/1981 Kneubuehl A01K 39/0213
119/75
4,444,149 A * 4/1984 Shomer A01K 39/0213
119/476
4,471,722 A * 9/1984 Dube A01K 39/02
119/75
4,476,812 A * 10/1984 Dube A01K 39/02
119/75
4,538,791 A * 9/1985 Wostal A01K 7/06
119/72.5
4,539,938 A * 9/1985 Maranell A01K 39/02
119/75
4,649,866 A * 3/1987 Shomer A01K 39/02
119/75
4,656,970 A * 4/1987 Hostetler A01K 39/024
119/75
D290,537 S * 6/1987 Hostetler D30/132
D290,771 S * 7/1987 Hostetler D30/132
D295,091 S * 4/1988 Swartzendruber D30/132
4,771,736 A * 9/1988 Carmien A01K 7/06
119/72.5
4,844,019 A * 7/1989 Dubrovsky A01K 39/02
119/75
5,456,210 A * 10/1995 Miller A01K 39/02
119/75
7,243,611 B2 * 7/2007 Schumacher A01K 7/06
119/54
D592,728 S 5/2009 Wang
D637,362 S * 5/2011 Gunn D30/132
D682,484 S * 5/2013 Selman D30/132
D851,338 S * 6/2019 Brown D30/129
2010/0043716 A1 * 2/2010 Klanke A01K 7/06
119/75

OTHER PUBLICATIONS

Lil Clucker Poultry Watering Cup, https://www.amazon.com/dp/B089XZVZMP/ref=sspa_dk_detail_0 Apr. 2020 (Year: 2020).*
Backyard Barnyard Poultry Watering Cup, https://www.amazon.com/Backyard-Barnyard-Automatic-Hardware-Included/dp/B08BG7CRJ4/ref=sr_1_22 Nov. 2020 (Year: 2020).*

* cited by examiner

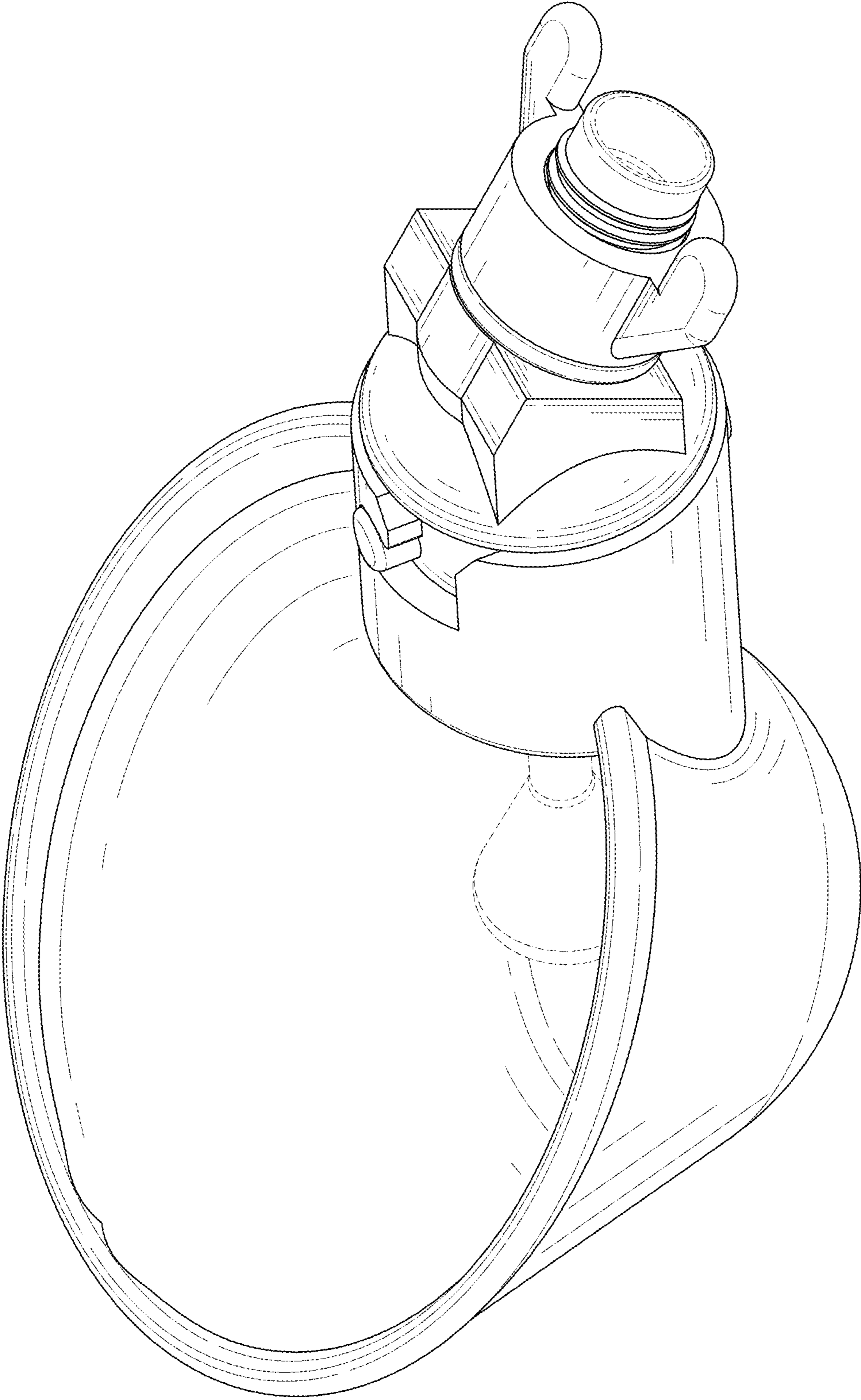


FIG. 1

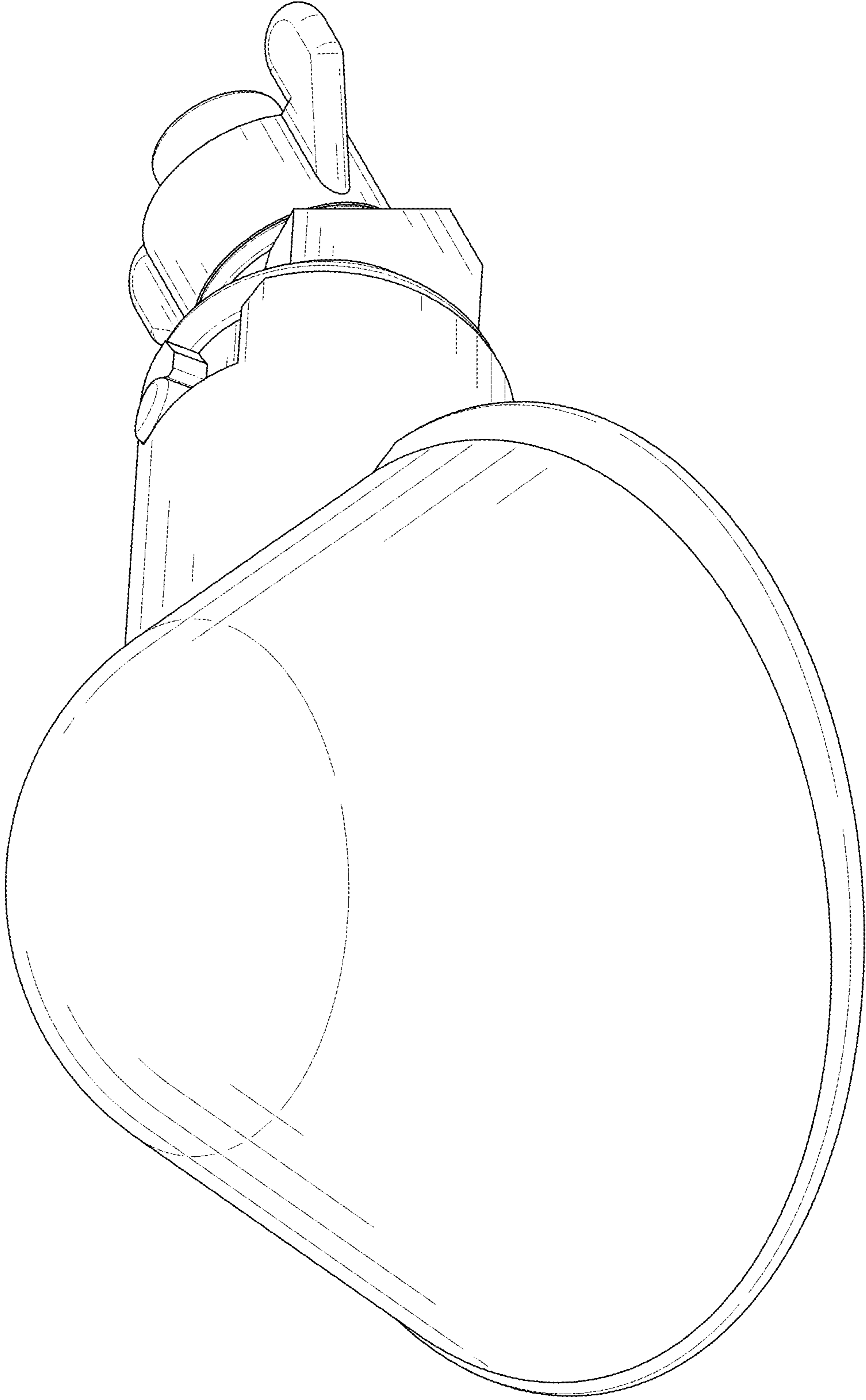


FIG. 2

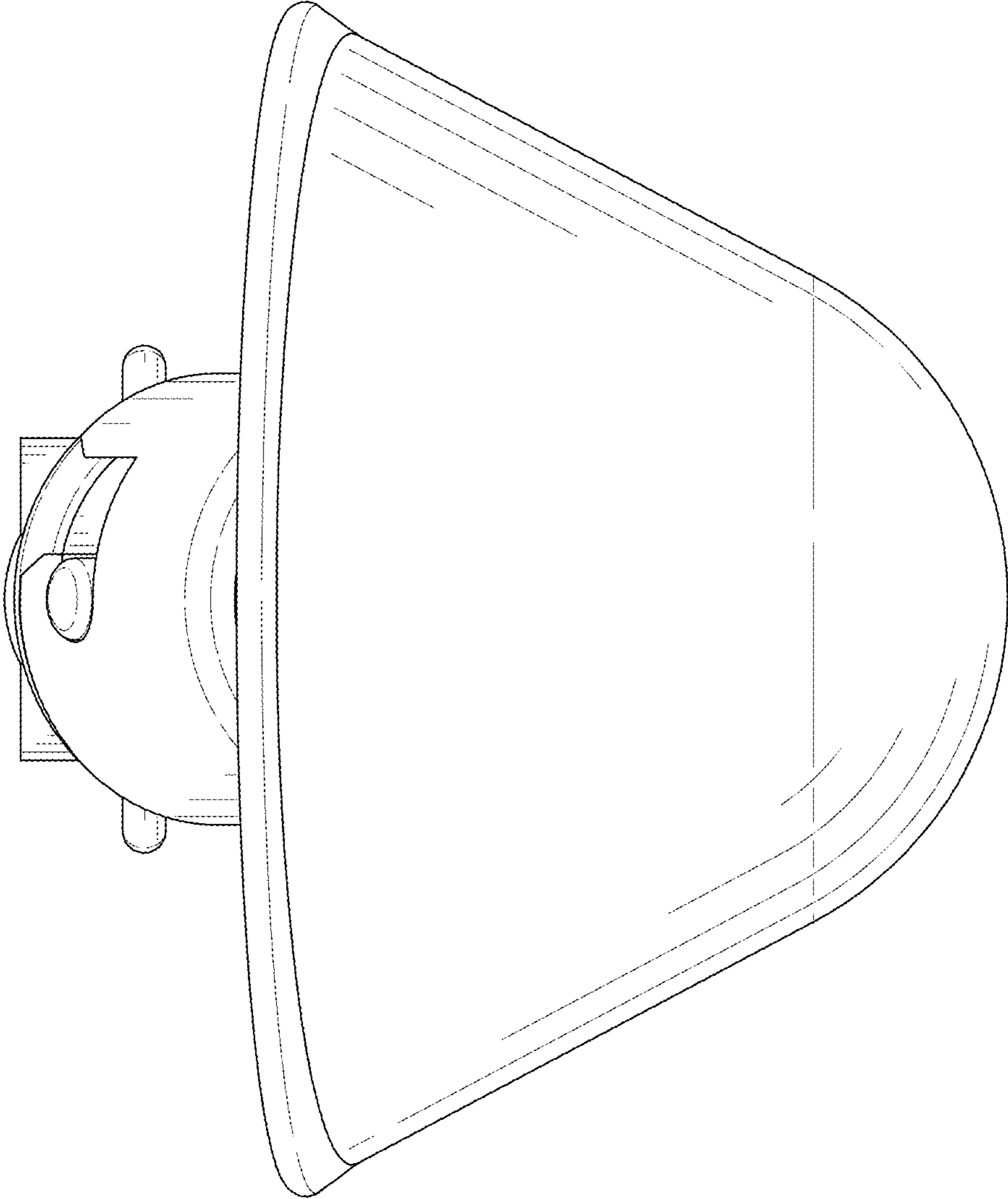


FIG. 3

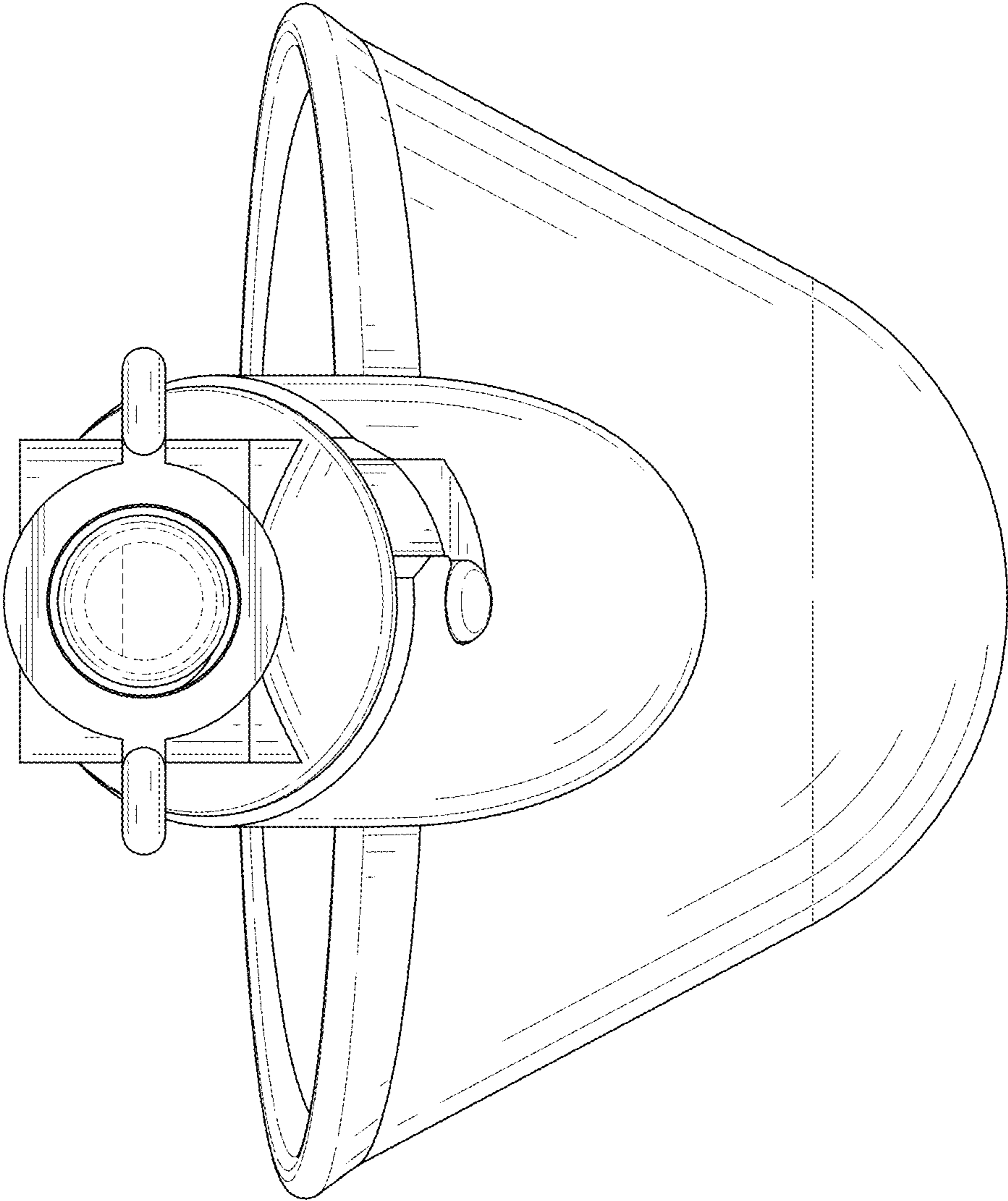


FIG. 4

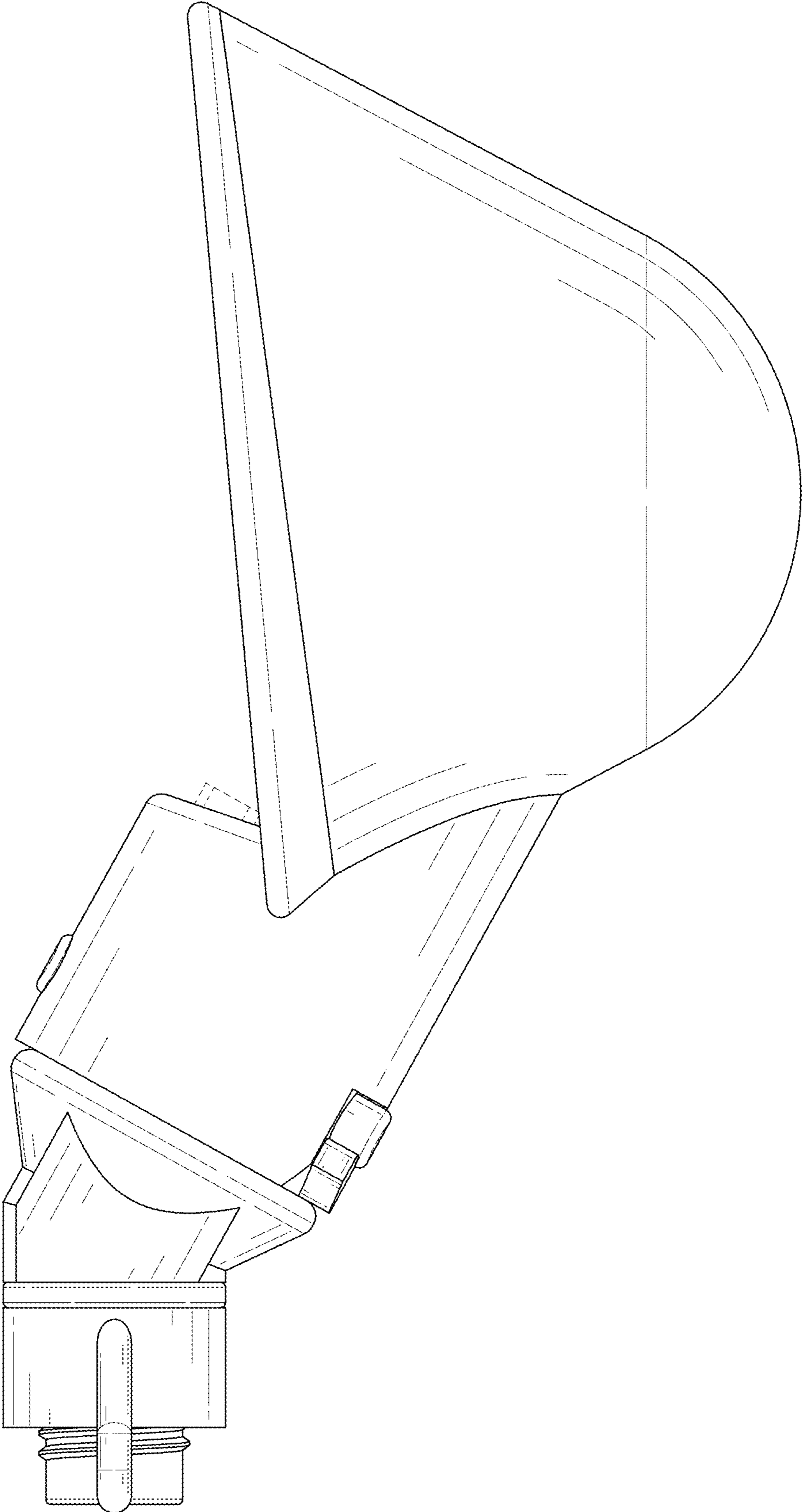


FIG. 5

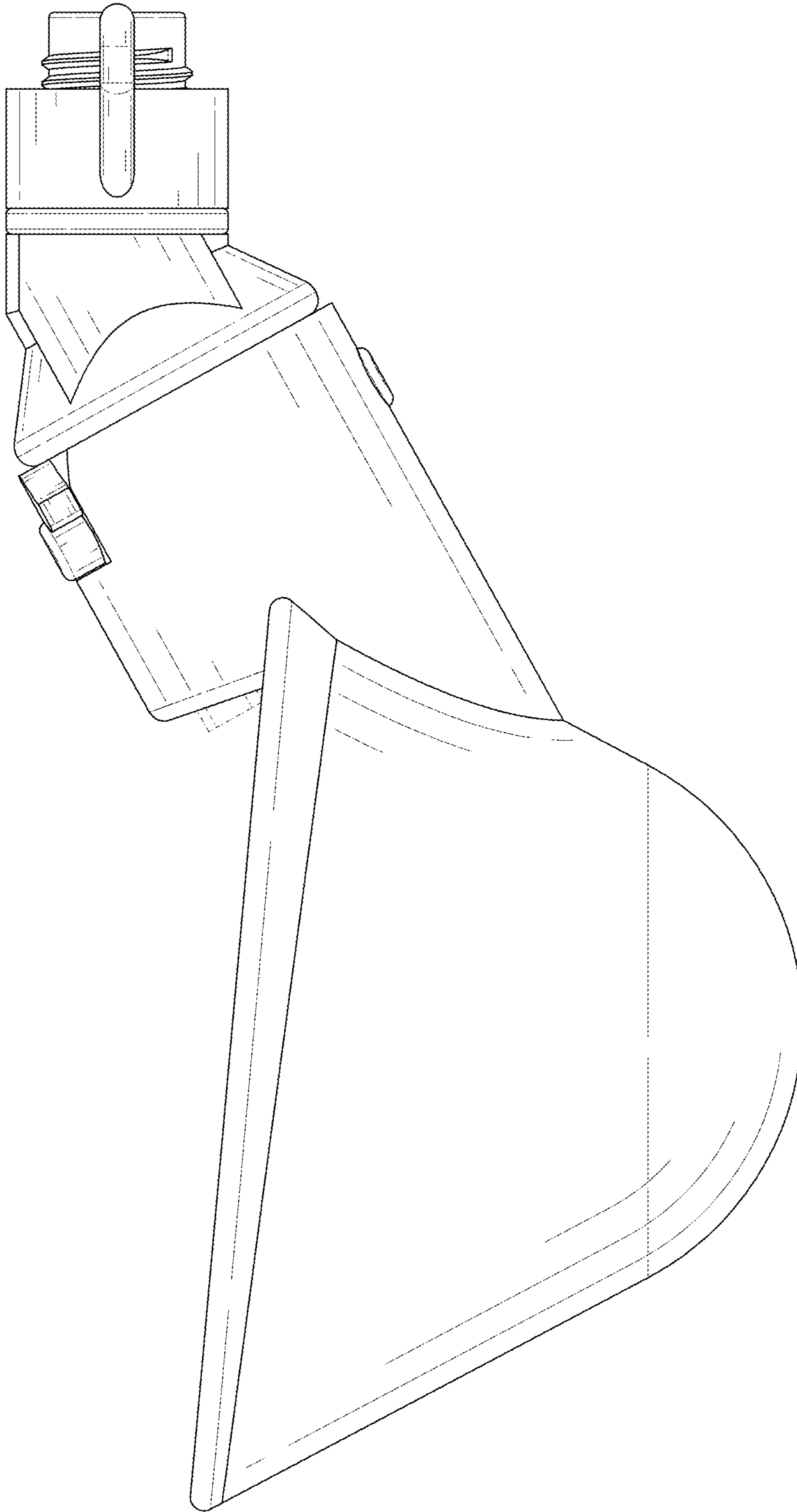


FIG. 6

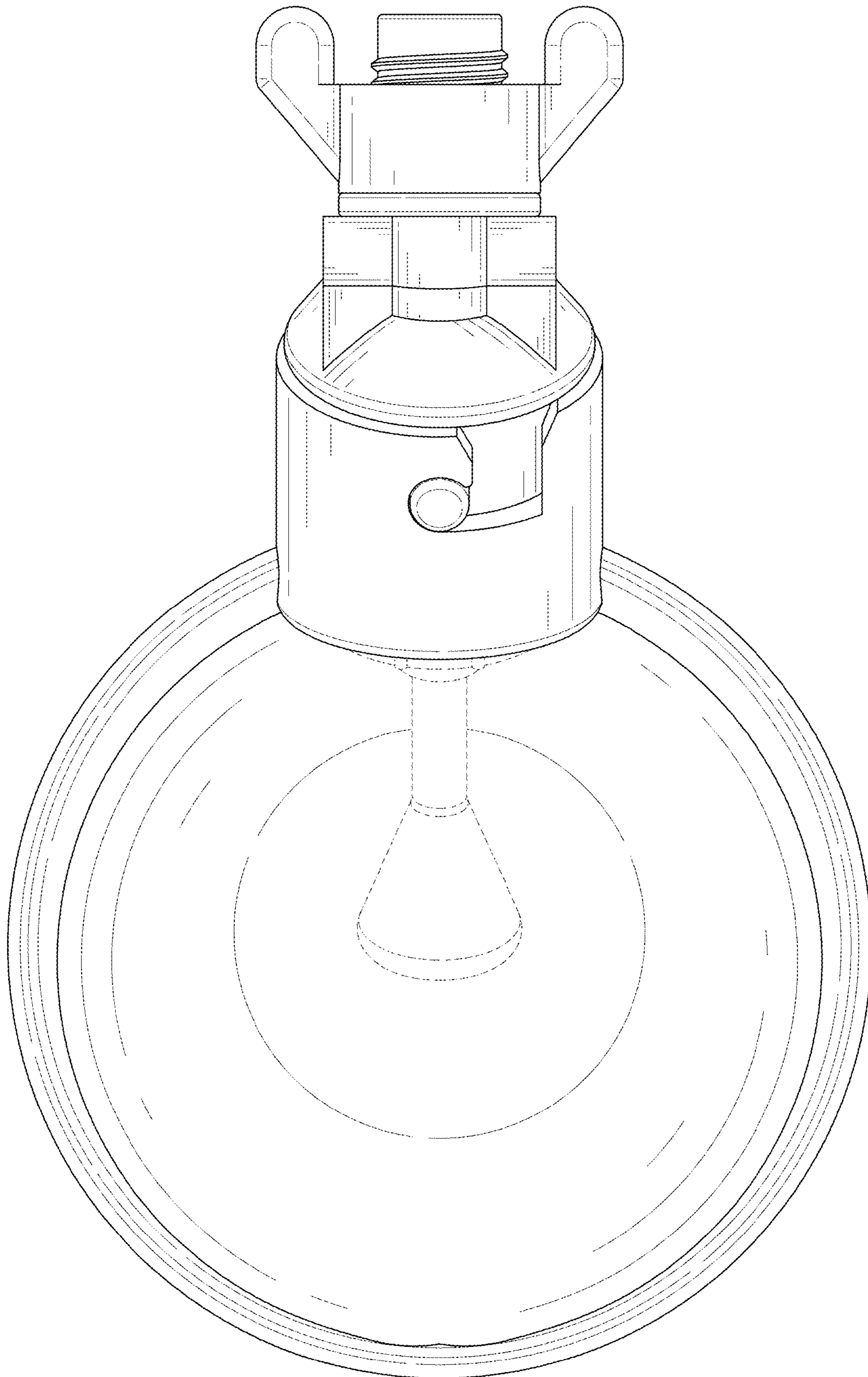


FIG. 7

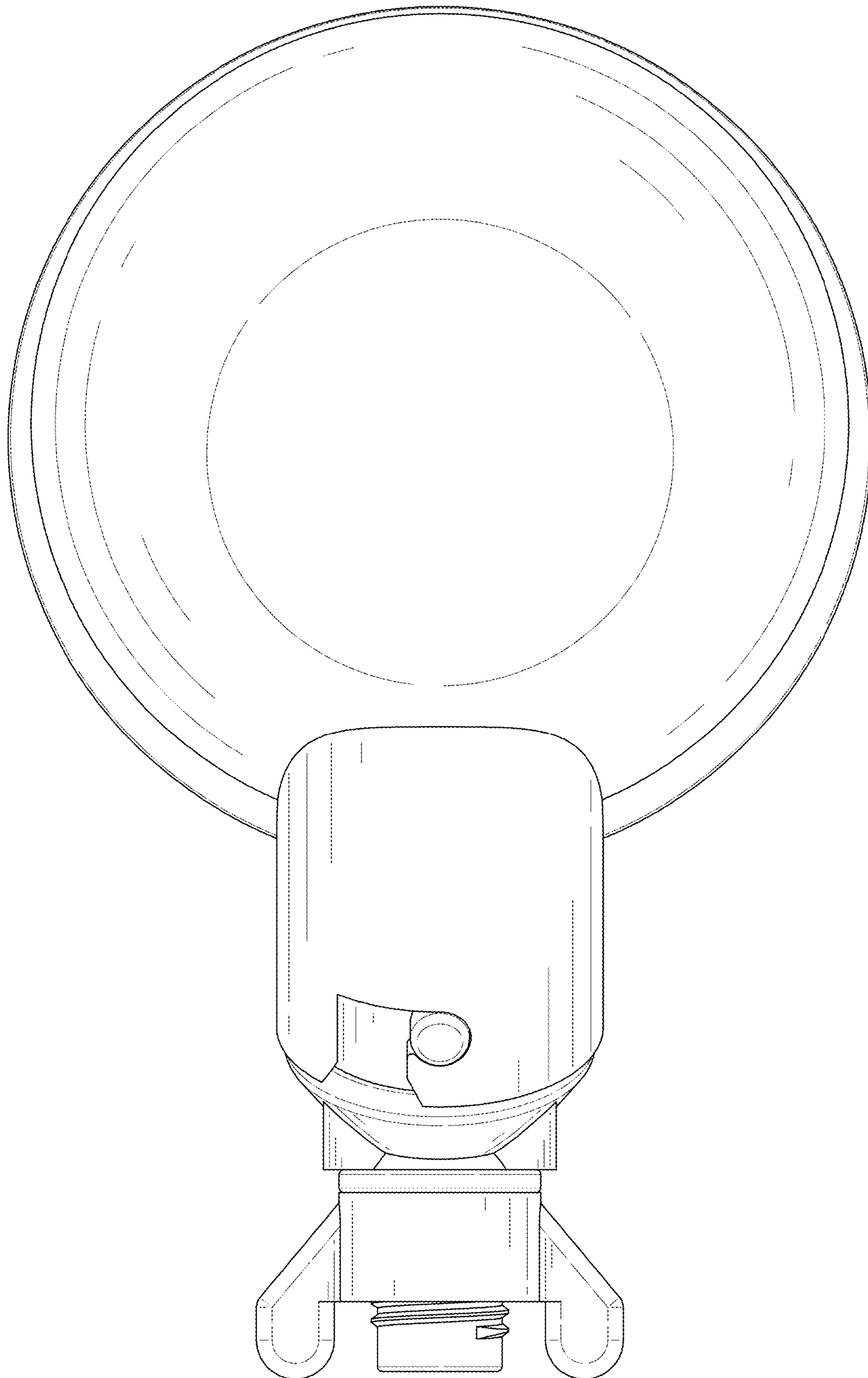


FIG. 8