



US00D934508S

(12) **United States Design Patent**
Drucker

(10) **Patent No.:** **US D934,508 S**

(45) **Date of Patent:** **** Oct. 26, 2021**

- (54) **FIREFIGHTER SAFETY DEVICE**
- (71) Applicant: **JDP Designs, LLC**, Anderson, SC (US)
- (72) Inventor: **Jay A. Drucker**, Anderson, SC (US)
- (73) Assignee: **JDP DESIGNS, LLC**, Anderson, SC (US)
- (**) Term: **15 Years**
- (21) Appl. No.: **29/681,047**
- (22) Filed: **Feb. 22, 2019**
- (51) **LOC (13) Cl.** **02-99**
- (52) **U.S. Cl.**
USPC **D29/124**
- (58) **Field of Classification Search**
USPC D29/124, 125, 126, 129, 130
CPC .. A62C 2/00; A62C 8/00; A62C 13/64; A62C
13/76; A62C 13/78; A62C 11/00; A62C
13/00; A62C 25/00
See application file for complete search history.

- 7,758,477 B2 * 7/2010 Prenatt A63B 21/0722
482/93
- 8,707,859 B2 * 4/2014 Difante A47J 36/20
99/403
- 9,526,941 B2 * 12/2016 Wu A63B 21/4035
- D786,031 S * 5/2017 Whitten D8/14
- D792,531 S * 7/2017 Bossier D21/682
- D877,823 S * 3/2020 Brown D21/679
- 2004/0082445 A1 * 4/2004 Zabel A63B 21/28
482/109
- 2005/0246974 A1 * 11/2005 Anderson A62B 3/005
52/155
- 2007/0181320 A1 * 8/2007 Mason B25D 1/16
173/90

* cited by examiner

Primary Examiner — Kimberly Barnes

(74) *Attorney, Agent, or Firm* — Burr & Forman LLP;
Douglas L. Lineberry

(57) **CLAIM**

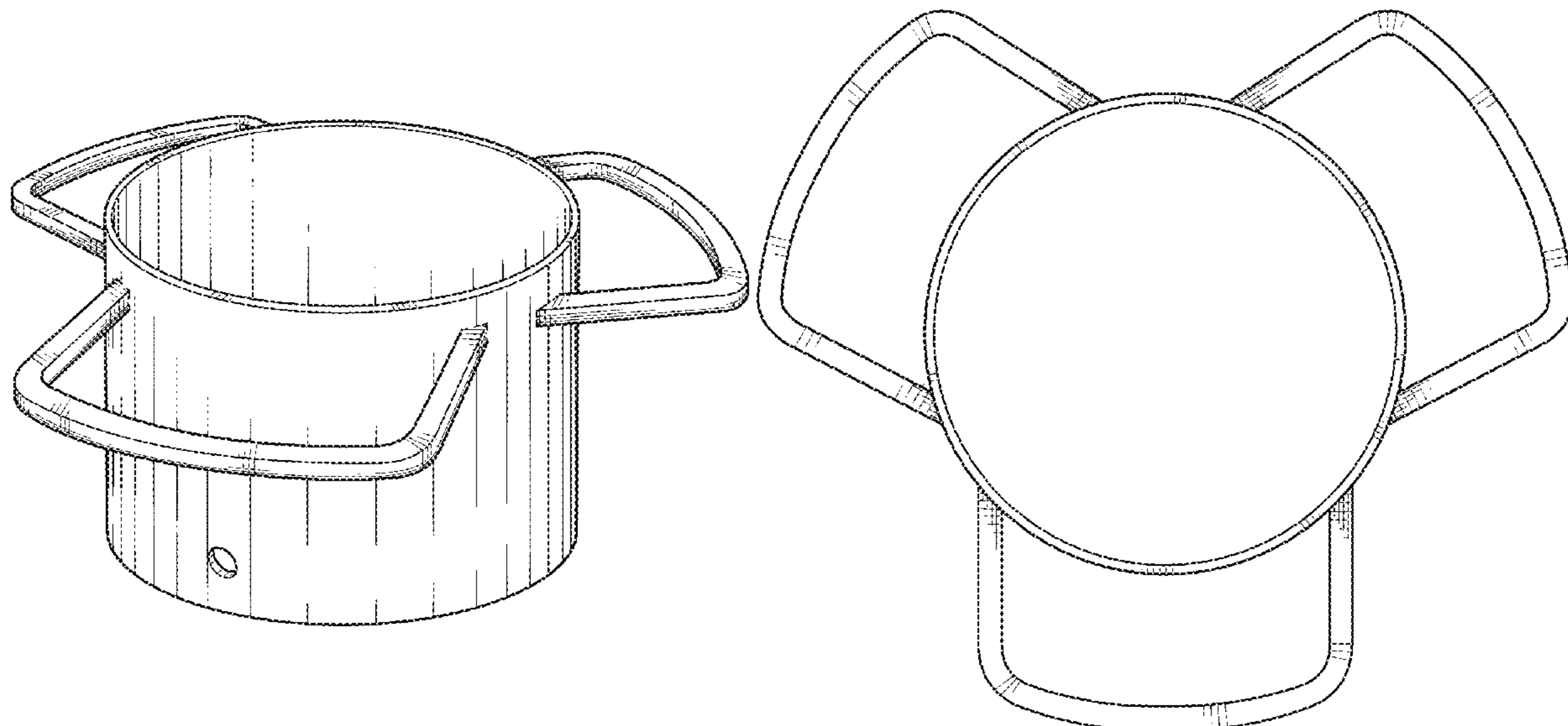
The ornamental design for a firefighter safety device, as shown and described.

DESCRIPTION

FIG. 1 is a front/top perspective view of a firefighter safety device, showing my new design;
FIG. 2 is a front view of the firefighter safety device;
FIG. 3 is a back view of the firefighter safety device;
FIG. 4 is a left view of the firefighter safety device;
FIG. 5 is a right view of the firefighter safety device;
FIG. 6 is a top view of the firefighter safety device; and,
FIG. 7 is a bottom view of the firefighter safety device.

1 Claim, 5 Drawing Sheets

- (56) **References Cited**
U.S. PATENT DOCUMENTS
- D181,320 S * 10/1957 Somers D29/129
- 3,869,744 A * 3/1975 MacMillan B63C 9/082
441/81
- D246,542 S * 11/1977 Hull D21/803
- D256,825 S * 9/1980 Phillips D21/803
- D544,554 S * 6/2007 Brun D21/662
- D570,655 S * 6/2008 Meagher D8/14
- D587,548 S * 3/2009 O'Toole D8/14
- D589,769 S * 4/2009 Timm D8/14



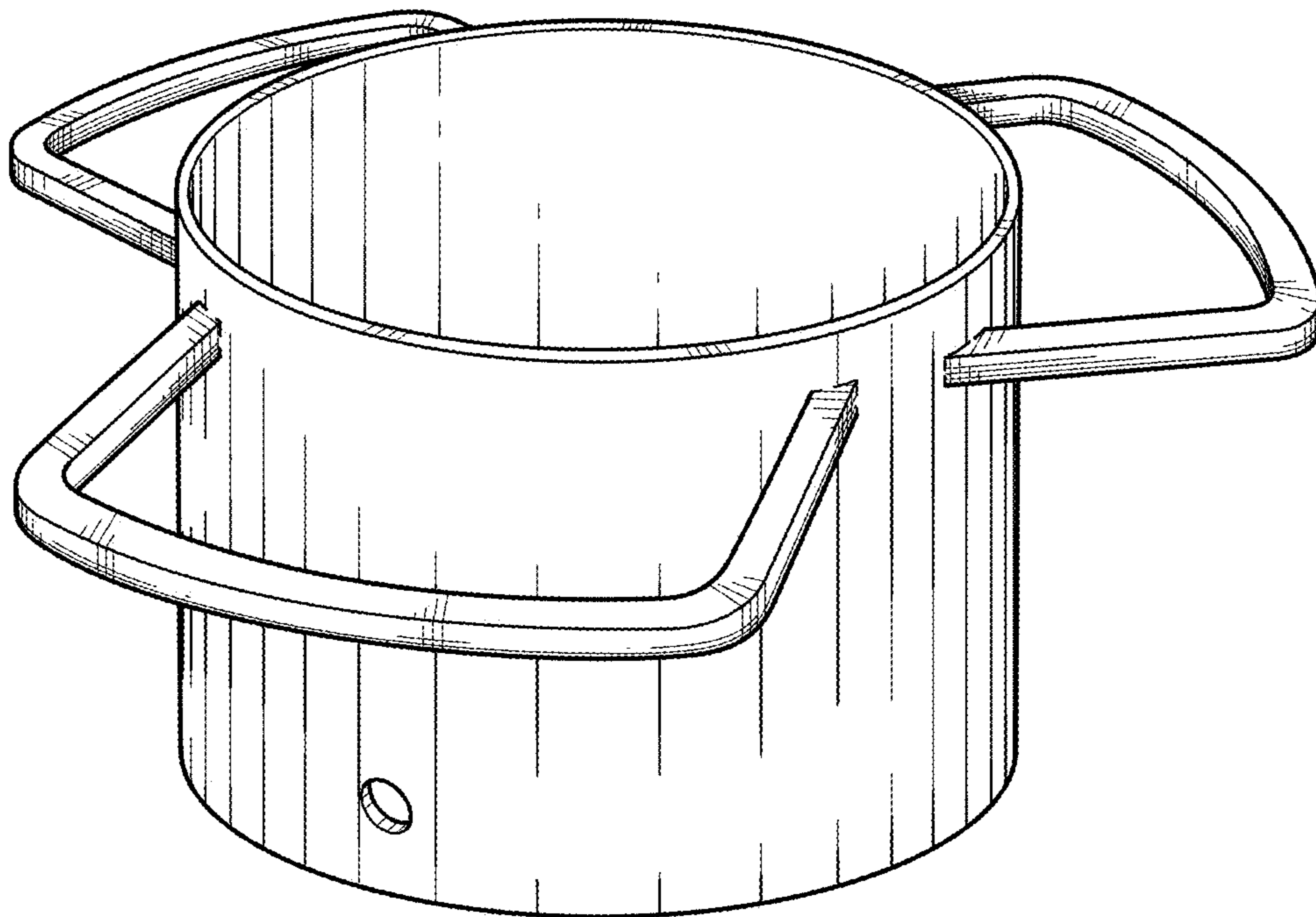


Fig. 1

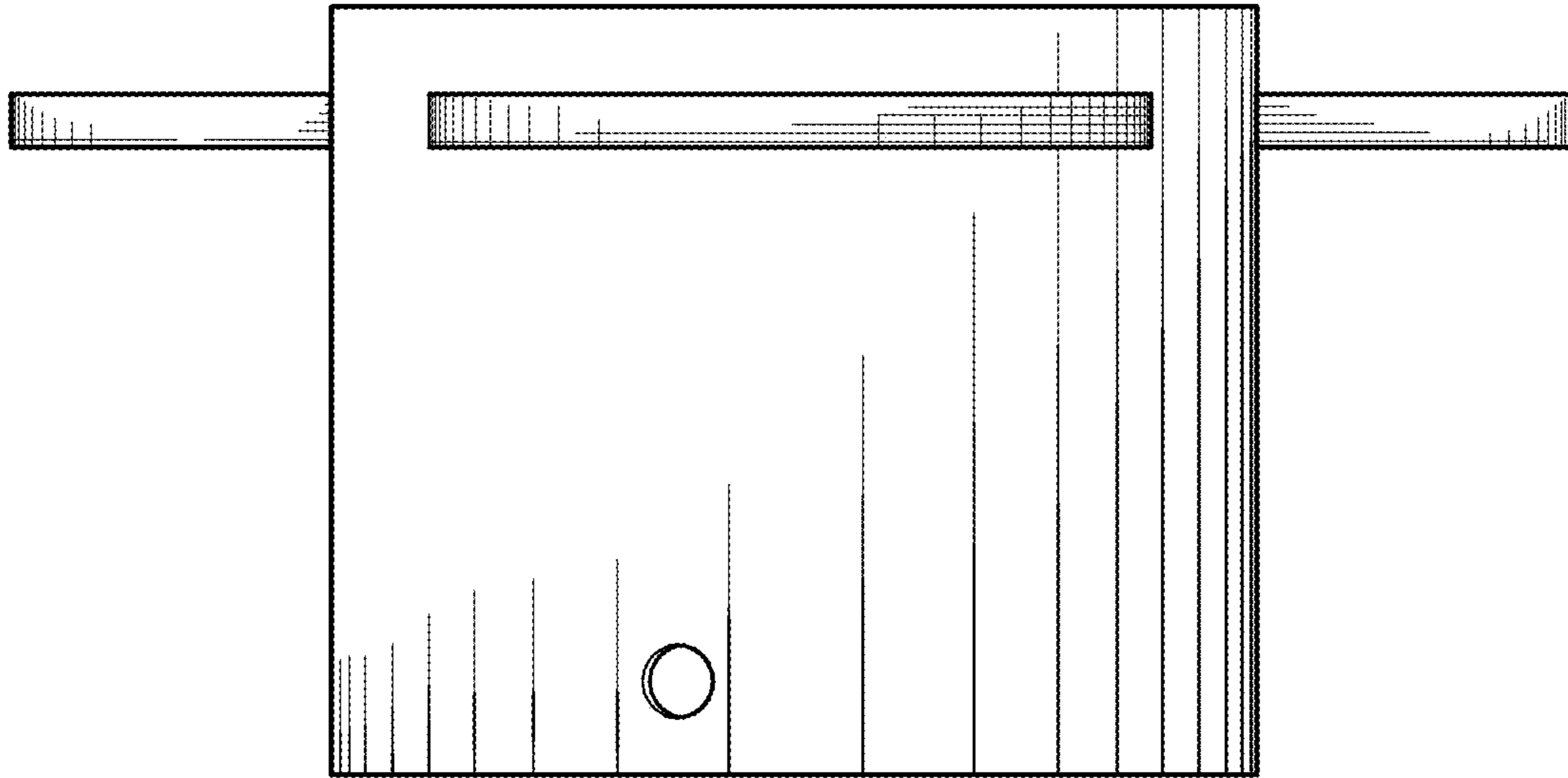


Fig. 2

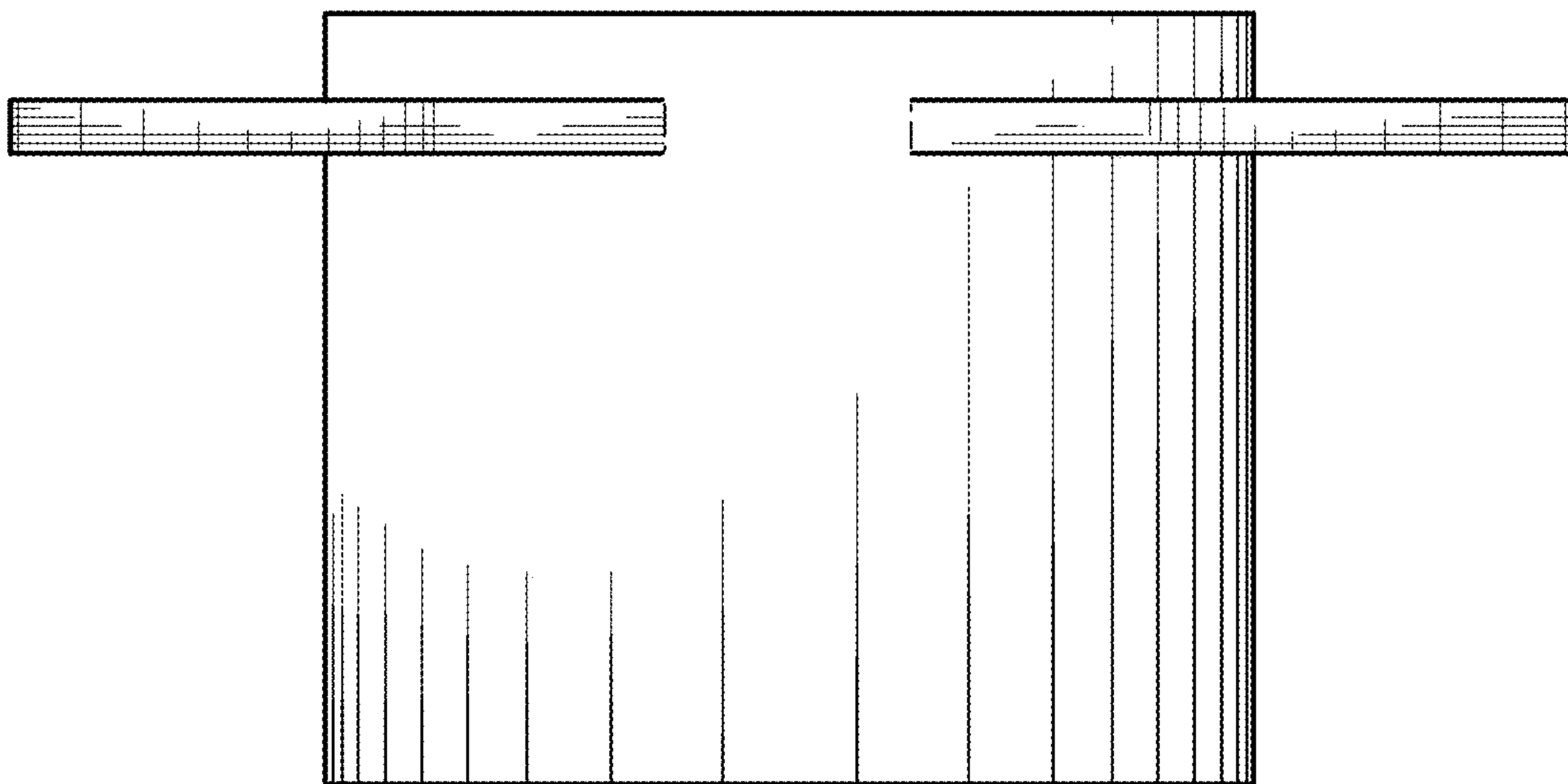


Fig. 3

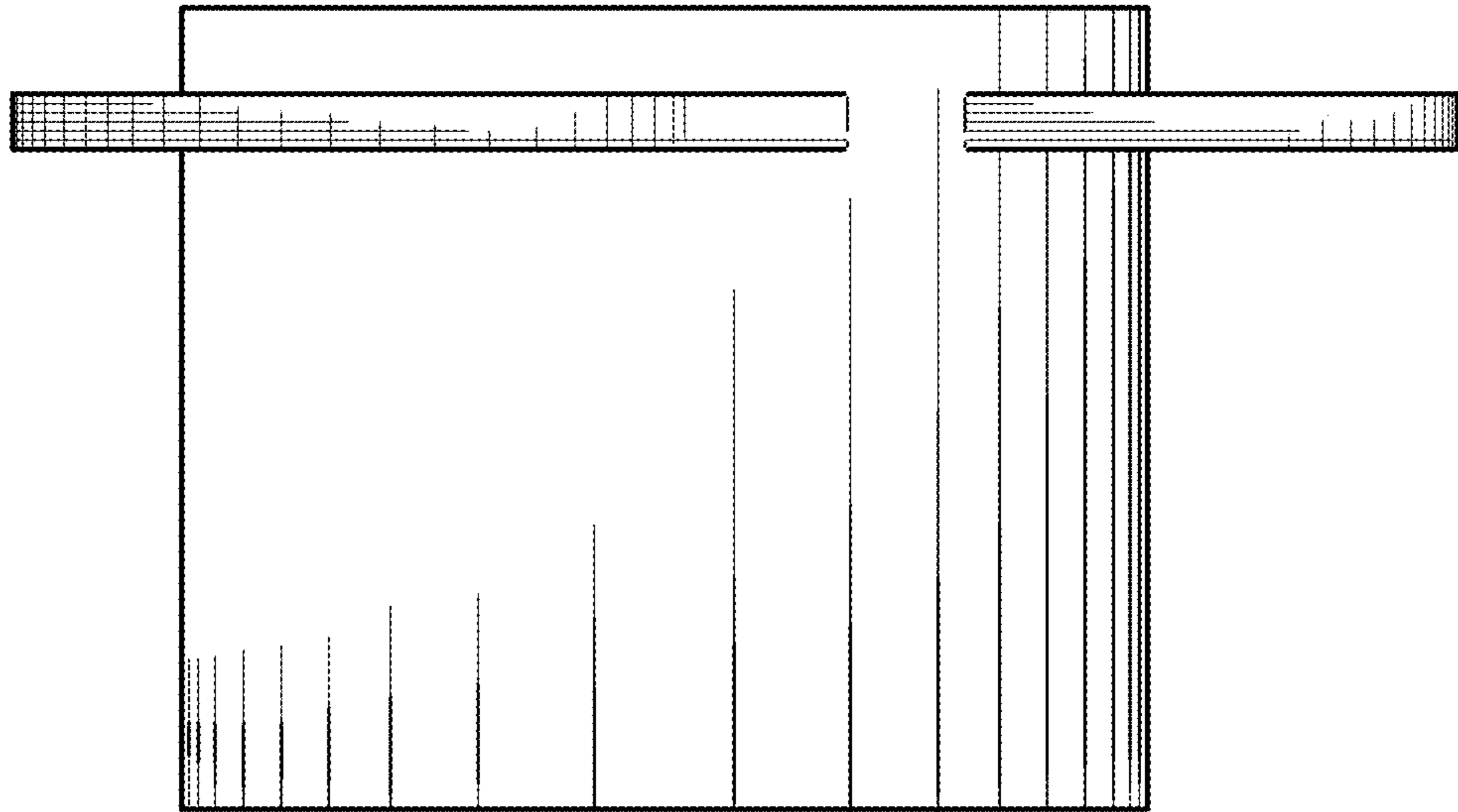


Fig. 4

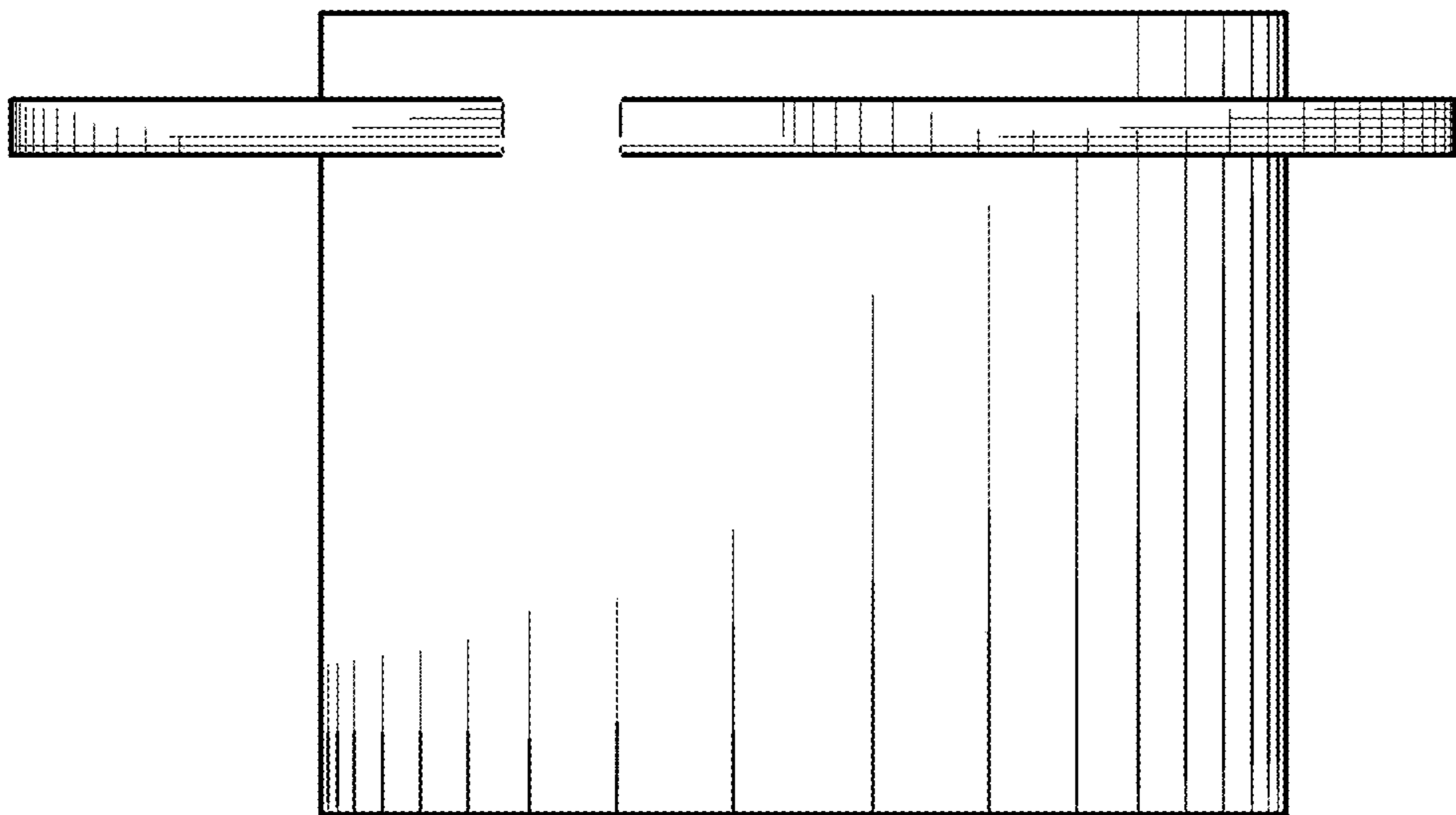


Fig. 5

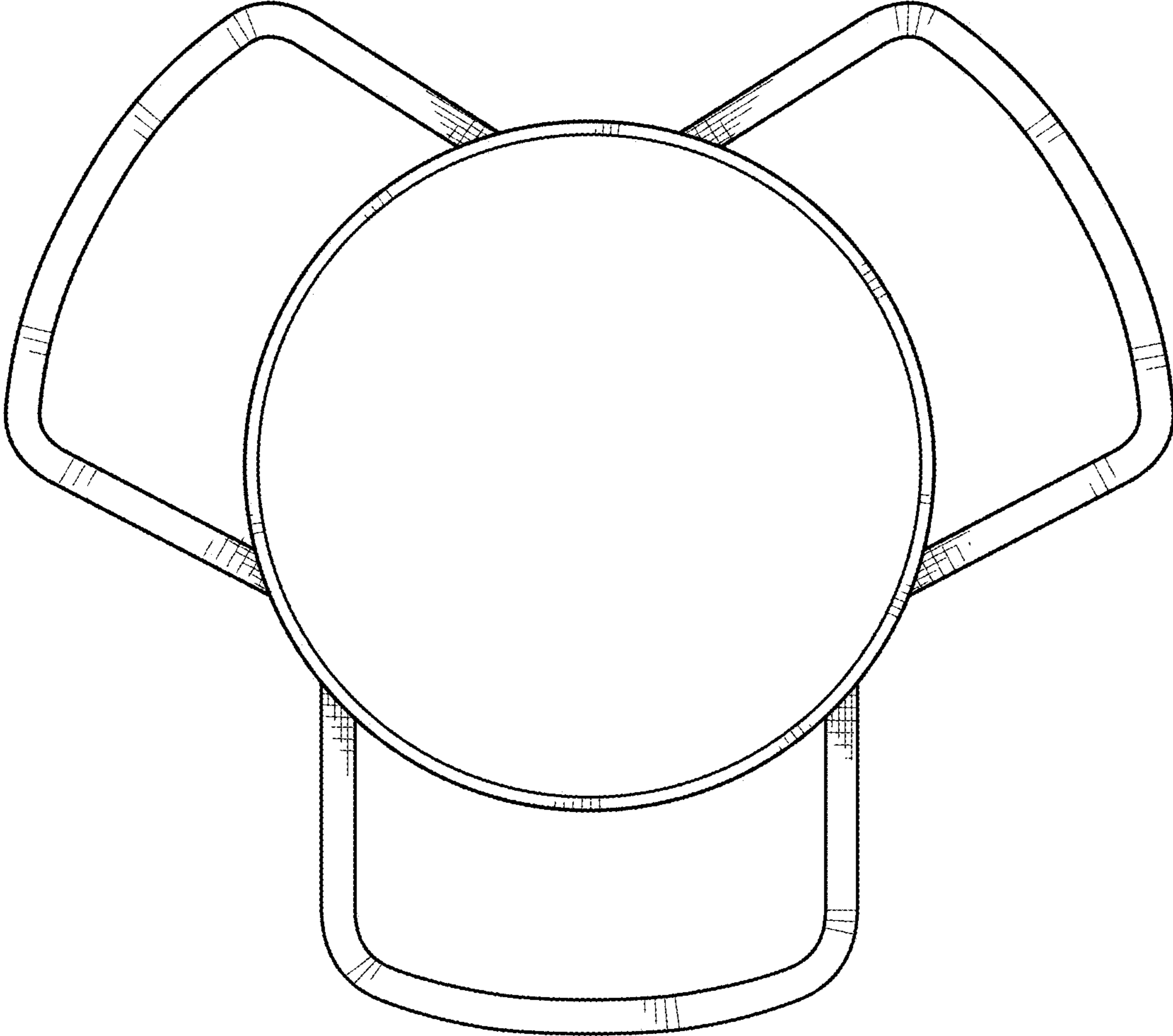


Fig. 6

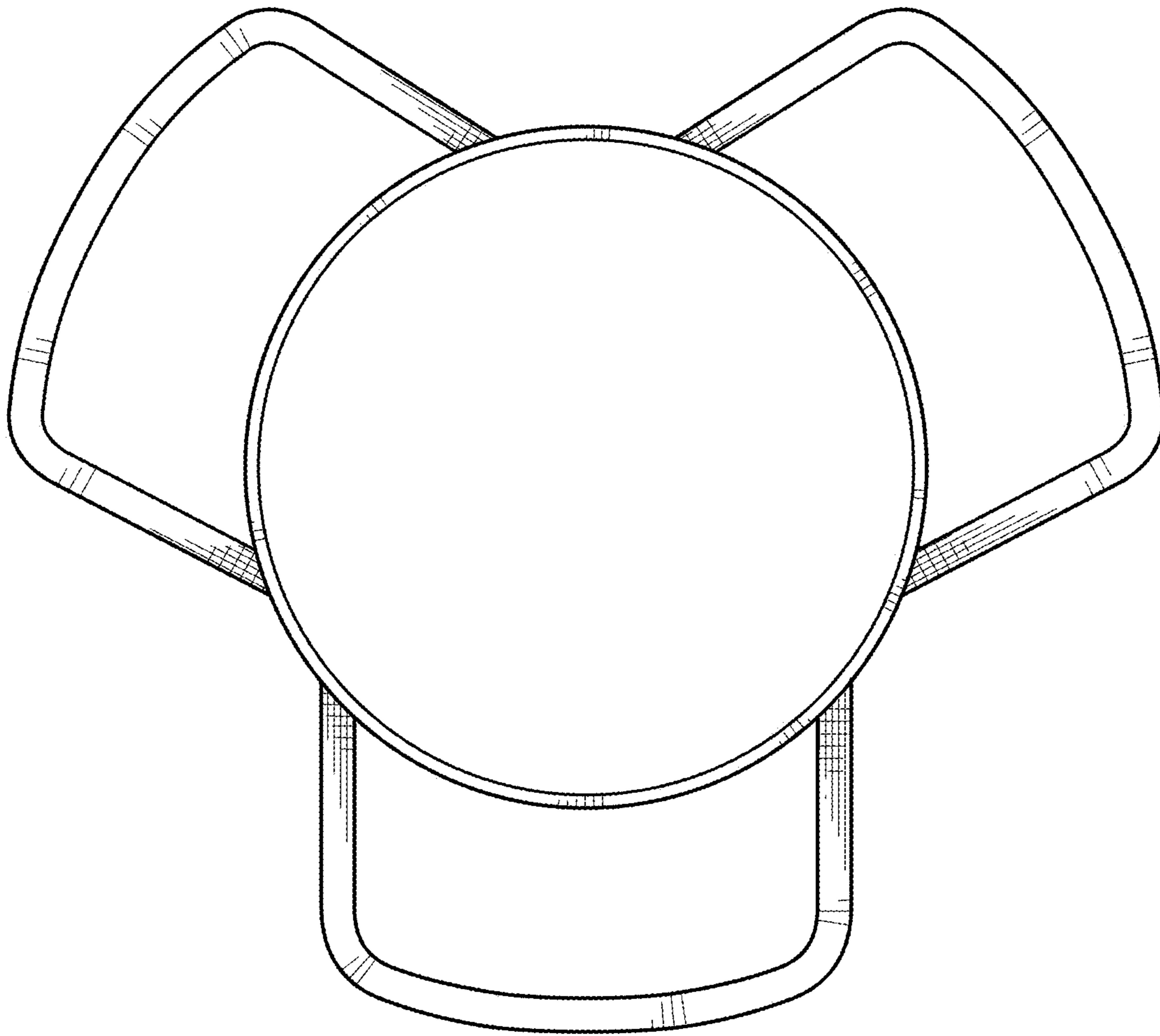


Fig. 7