



US00D934505S

(12) **United States Design Patent** (10) **Patent No.:** **US D934,505 S**
Hunt et al. (45) **Date of Patent:** **** Oct. 26, 2021**

(54) **SKYDIVING HELMET**

(71) Applicant: **Cookie Composites Group Pty Ltd.,**
Contarf (AU)
(72) Inventors: **Jeremy Robert Hunt, Bli Bli (AU);**
Jason Cooke, Parkwood (AU);
Stephane Dion, Sainte-Cécile de Milton
(CA)

(73) Assignee: **Cookie Composites Group Pty Ltd.,**
Clontarf (AU)

(**) Term: **15 Years**

(21) Appl. No.: **29/678,343**

(22) Filed: **Jan. 28, 2019**

(51) **LOC (13) Cl.** **02-03**

(52) **U.S. Cl.**
USPC **D29/102**

(58) **Field of Classification Search**
USPC D2/865, 866, 867, 869, 870, 872, 873,
D2/874, 878, 886, 887, 888, 891, 892,
D2/893; D21/698, 788; D24/108, 110,
D24/110.1, 110.2, 110.3, 110.4;
D29/100, 102, 103, 104, 105, 106, 107,
D29/108, 109, 110, 112, 122
CPC A41D 13/00; A41D 13/012; A41D 13/05;
A41D 13/11; A41D 13/1107; A41D
13/1138; A41D 13/1161; A41D 13/1176;
A42B 1/00; A42B 1/002; A42B 3/00;
A42B 3/0406; A42B 3/06; A42B 3/066;
A42B 3/16; A42B 3/18; A42B 3/20;
A42B 3/22; A42B 3/221; A42B 3/222;
A42B 3/226; A42B 3/227; A42B 3/28;
A42B 3/32; A42B 3/322; A42B 3/324;
A41B 1/0181; A41B 1/0184; A41B 1/02;
A63B 2243/007

See application file for complete search history.

(56) **References Cited**

U.S. PATENT DOCUMENTS

4,170,792 A 10/1979 Higgs
4,292,688 A 10/1981 Ellis
4,305,160 A 12/1981 Sundahl
D272,199 S * 1/1984 Rudd D24/110.3
4,621,377 A 11/1986 Pennell

(Continued)

OTHER PUBLICATIONS

Twitter, "cookiehelmets", first available Apr. 13, 2015. (<https://twitter.com/cookiehelmets/status/587605326603649024>) (Year: 2015).*

(Continued)

Primary Examiner — April Rivas

Assistant Examiner — Justin A Johnson

(74) *Attorney, Agent, or Firm* — Haugen Law Firm PLLP

(57) **CLAIM**

We claim the ornamental design for a skydiving helmet, as shown and described.

DESCRIPTION

FIG. 1 is a perspective view of a skydiving helmet;
FIG. 2 is an enlarged view of a lateral plate shown in FIG. 1;
FIG. 3 is a front elevation view of the skydiving helmet shown in FIG. 1;
FIG. 4 is a rear elevation view of the skydiving helmet shown in FIG. 1;
FIG. 5 is left-side elevation view of the skydiving helmet shown in FIG. 1;
FIG. 6 is right-side elevation view of the skydiving helmet shown in FIG. 1;
FIG. 7 is a top plan view of the skydiving helmet shown in FIG. 1; and,

(Continued)

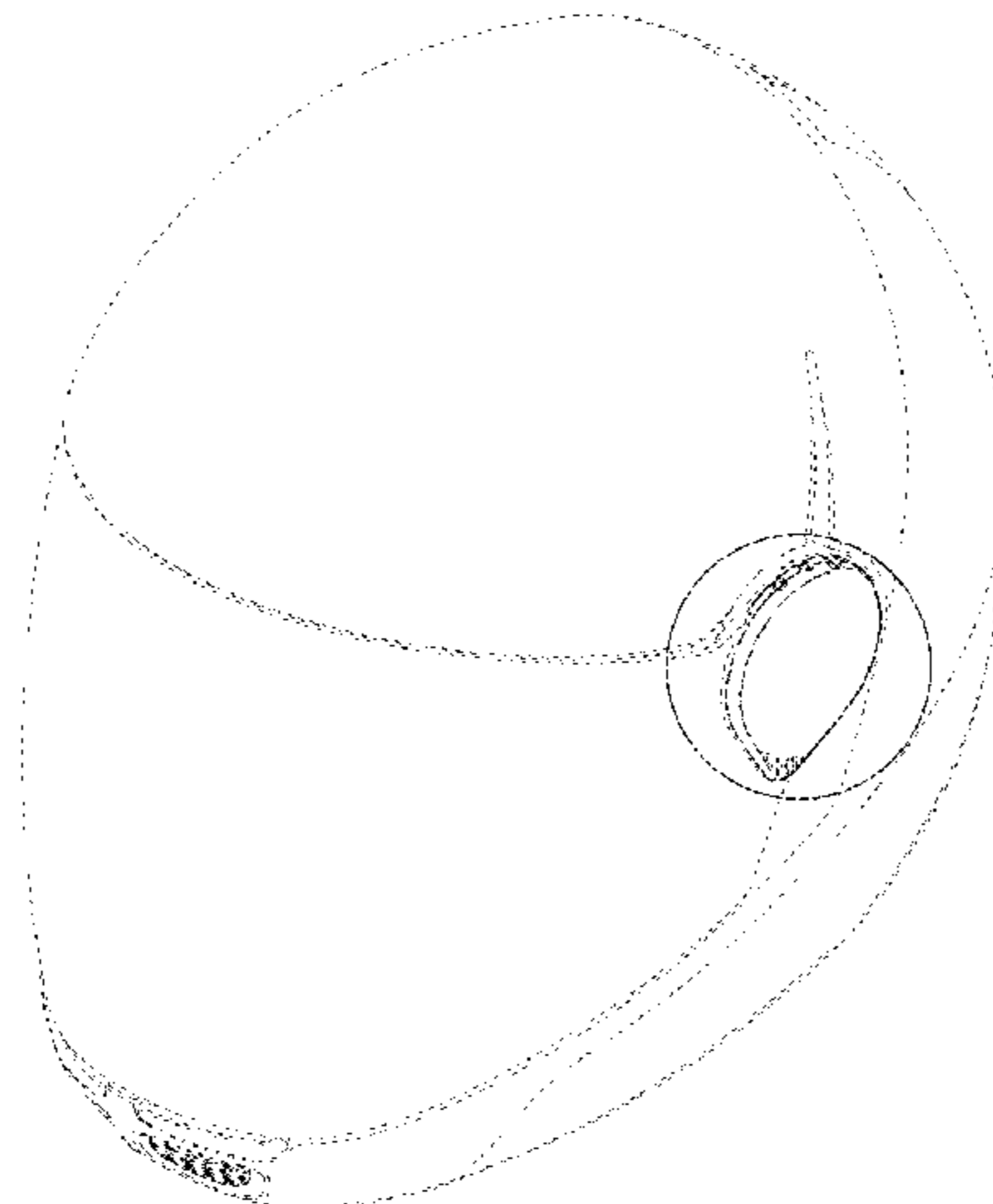


FIG. 8 is a bottom plan view of the skydiving helmet shown in FIG. 1.

The broken lines illustrate portions of the skydiving helmet and form no part of the claimed design.

1 Claim, 7 Drawing Sheets

(56)

References Cited

U.S. PATENT DOCUMENTS

4,907,300	A	3/1990	Dampney et al.	
5,056,853	A *	10/1991	Van Order	B60J 3/0217 296/97.9
5,062,608	A *	11/1991	Phelps	B60J 3/0221 248/289.11
5,095,551	A	3/1992	Chin	
5,184,231	A	2/1993	Ellis	
D348,751	S *	7/1994	Bosack	D29/107
5,329,642	A	7/1994	Dampney	
5,333,329	A	8/1994	Hong	
5,444,875	A	8/1995	Taniuchi	
D445,546	S *	7/2001	Gafforio	D29/107
6,622,313	B1	9/2003	Choi et al.	
6,732,380	B1	5/2004	Lee	
6,795,978	B2	9/2004	Fournier et al.	
6,851,129	B2	2/2005	Gafforio et al.	
D506,285	S *	6/2005	Tse	D27/120
7,225,471	B2	6/2007	Sutter et al.	
D546,512	S *	7/2007	Kertz	A42B 3/064 D1/127
7,555,788	B2	7/2009	Schimpf	
D621,550	S *	8/2010	Shida	D29/102
8,011,025	B2	9/2011	Lee	
8,032,946	B2	10/2011	Ishikawa	
8,056,144	B2	11/2011	Gafforio et al.	
8,082,600	B2	12/2011	Morin	
8,166,577	B2	5/2012	Lee	
8,214,919	B2	7/2012	Gafforio et al.	
8,286,270	B2	10/2012	Higgins	
8,291,513	B2	10/2012	Prinkey	
8,635,715	B2	1/2014	Hunt et al.	
D723,698	S *	3/2015	Cockley	A42B 3/223 D24/172
D831,893	S *	10/2018	Salvetti	A42B 3/223 D29/102
D831,894	S *	10/2018	Salvetti	D29/102
D905,912	S *	12/2020	Lee	A42B 3/064 D29/107
D907,778	S *	1/2021	Ekonomi	D24/172

D912,330	S *	3/2021	Fukuyama	A42B 3/24 D29/105
2003/0088907	A1	5/2003	Gafforio et al.	
2003/0182716	A1	10/2003	Wu	
2004/0049830	A1	3/2004	Gafforio et al.	
2006/0057972	A1	3/2006	Wikel et al.	
2006/0117467	A1	6/2006	Choi et al.	
2007/0074335	A1	4/2007	Gafforio et al.	
2007/0124851	A1	6/2007	Pyo	
2008/0196148	A1	8/2008	Morin	
2008/0216215	A1	9/2008	Lee	
2009/0300831	A1	12/2009	Ishikawa	
2009/0309384	A1 *	12/2009	Huff	B60J 3/0221 296/97.9
2011/0154551	A1 *	6/2011	Spink	A42B 3/223 2/10
2012/0096631	A1 *	4/2012	King	A42B 3/064 2/411
2012/0144566	A1 *	6/2012	Hunt	A42B 3/223 2/422
2013/0025015	A1 *	1/2013	Isobe	A42B 3/222 2/10
2013/0104298	A1 *	5/2013	Domenico	A42B 3/24 2/425
2015/0074877	A1 *	3/2015	Huh	A42B 3/222 2/422
2020/0229529	A1 *	7/2020	Hunt	A42B 3/223

OTHER PUBLICATIONS

Amazon, "Cookie G4 Skydiving Helmet", first available Feb. 17, 2017. (<https://www.amazon.com/Cookie-G4-Skydiving-Helmet-Black/dp/B07YZFJYDS/>) (Year: 2017).*

Amazon, "Kiss Skydiving Helmet", first available Aug. 20, 2019. (<https://www.amazon.com/KISS-Skydiving-Helmet-Matte-Black/dp/B07WSVKCMW/?th=1>) (Year: 2019).*

Scisc.com, "Z1 SL-14 Full Face skydiving helmet", first accessed Mar. 19, 2021. (<http://www.scisc.com/skydiving-helmets/fullface-skydiving-helmets/z1-sl-14-full-face-skydiving-helmet>) (Year: 2021).*

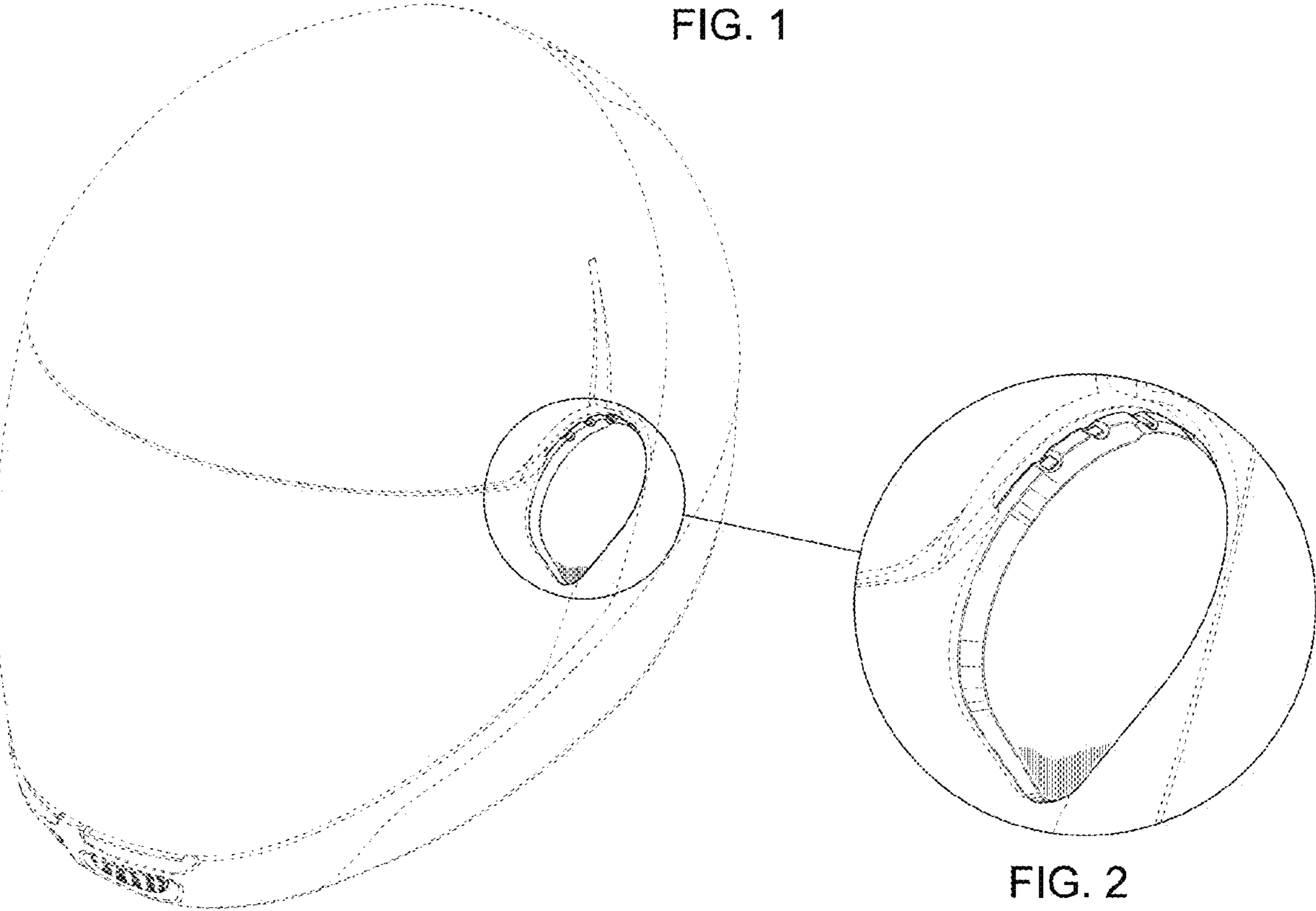
Amazon, "LS2 Motorcycle Helmet Visor Lock", first available Oct. 15, 2017. (<https://www.amazon.com/Motorcycle-Helmet-Visor-FF386-FF358/dp/B076GW1879>) (Year: 2017).*

Instagram, "Woman crushing on this blonde haired", first available Aug. 22, 2018. (<https://www.instagram.com/p/BmybsjTnmB2/>) (Year: 2018).*

Instagram, "You keep asking! PIA is going to answer your questions.", first available Feb. 4, 2019. (<https://www.instagram.com/p/BtfGYZVnUFp/>) (Year: 2019).*

Fly Cookie, "G4 Aluminium Side Plates", first available Aug. 12, 2020. (<https://web.archive.org/web/20200812235637/https://www.flycookie.com/shop/g4/g4-aluminium-side-plates/>) (Year: 2020).*

* cited by examiner



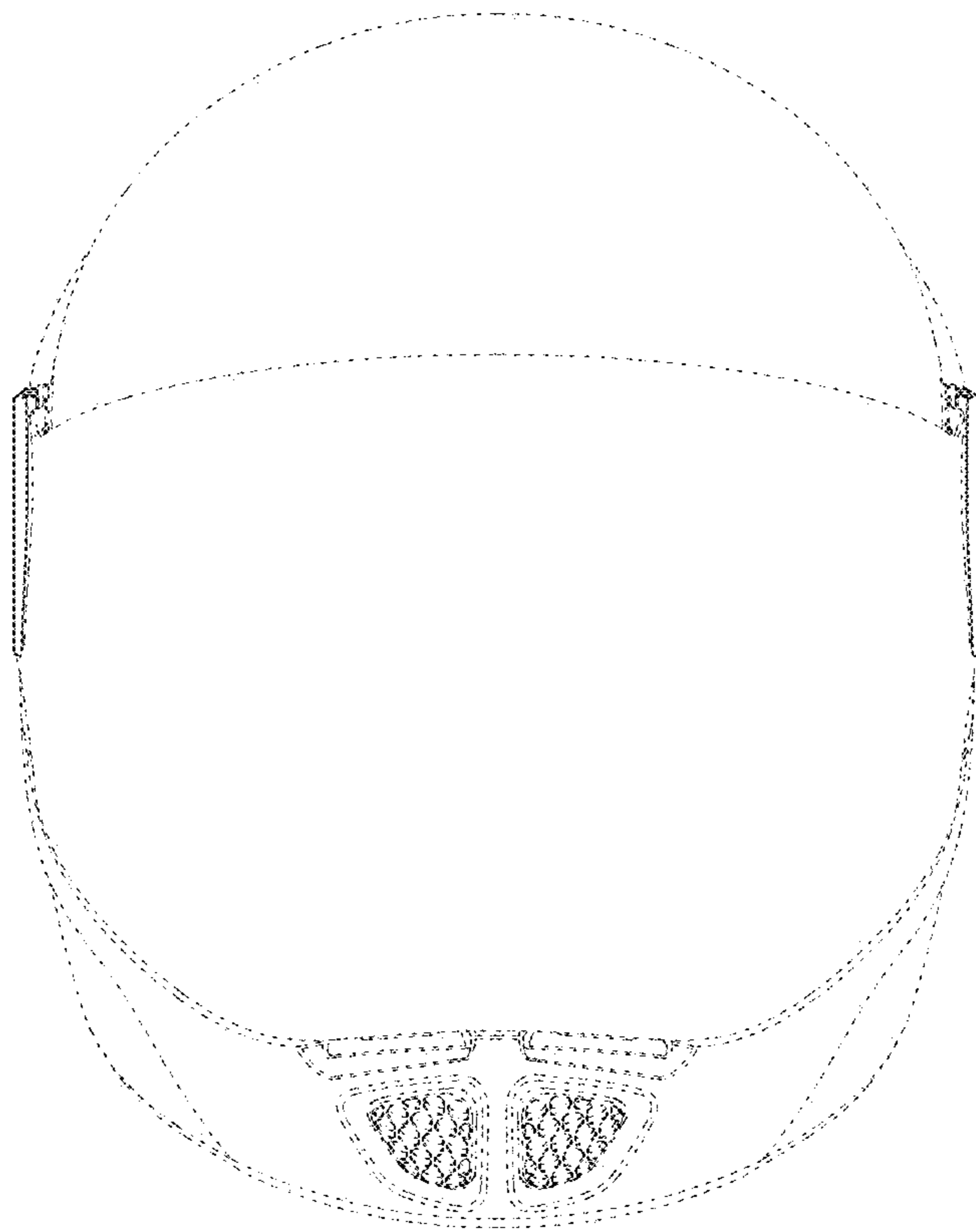


FIG. 3

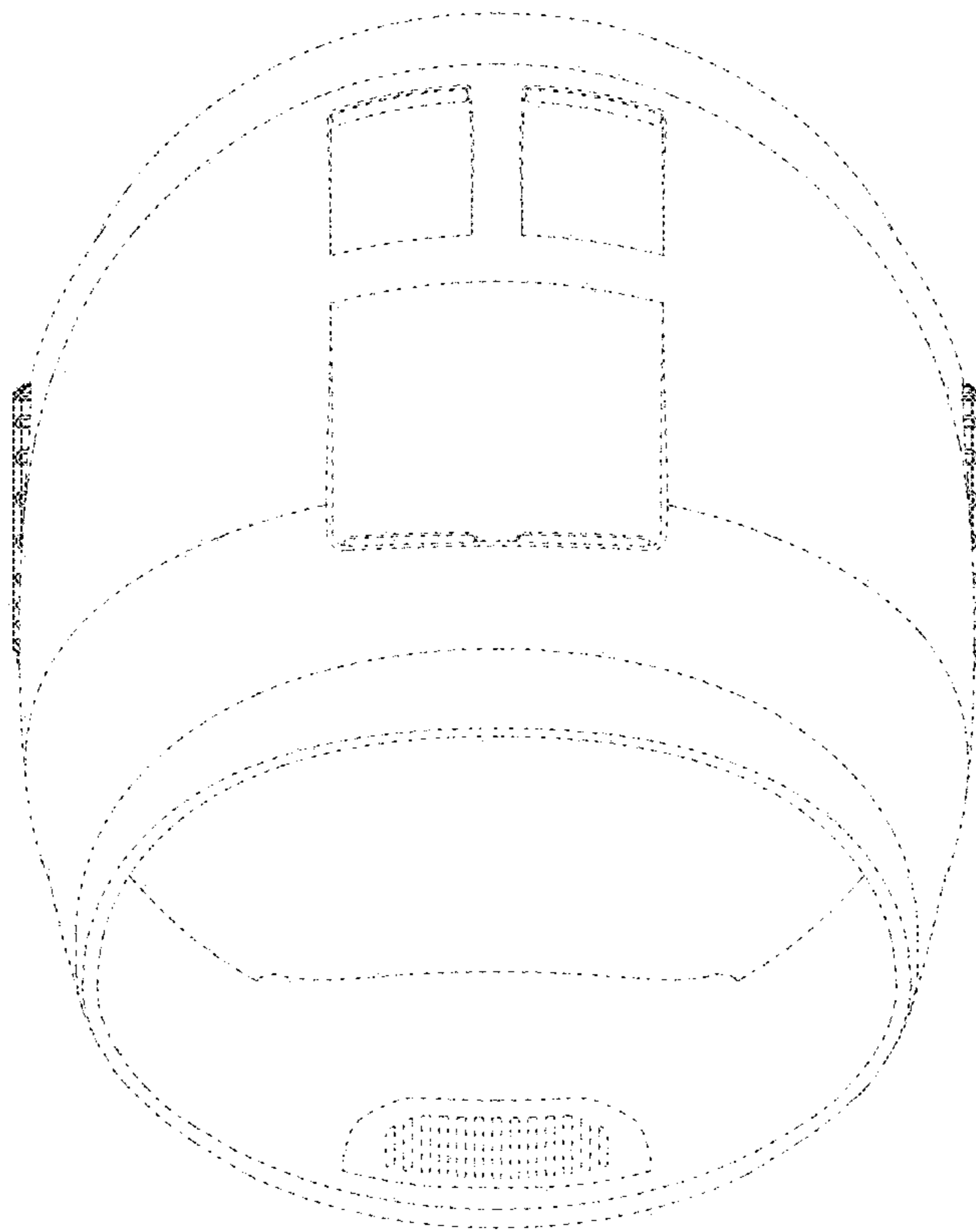


FIG. 4

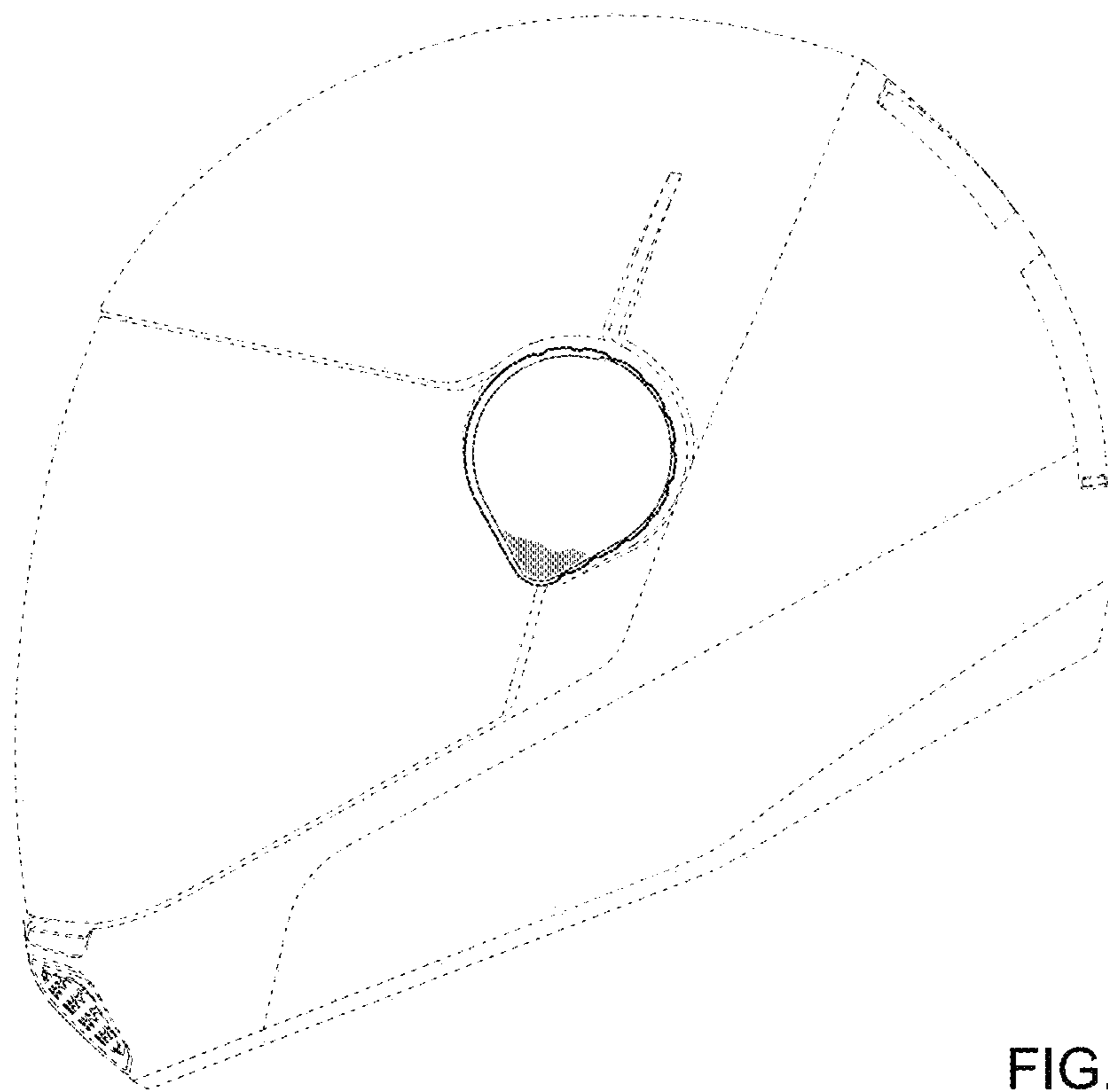


FIG. 5

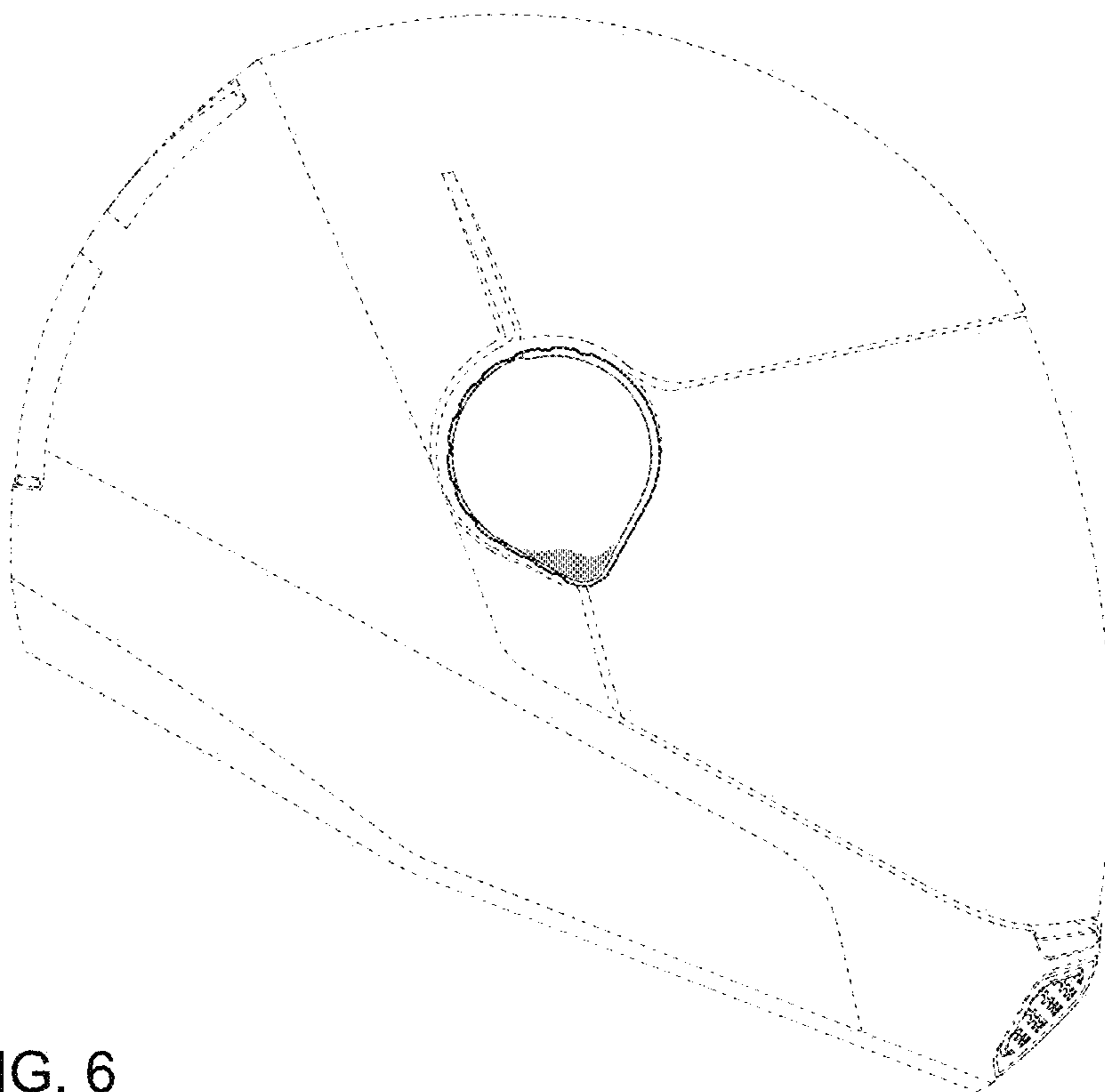


FIG. 6

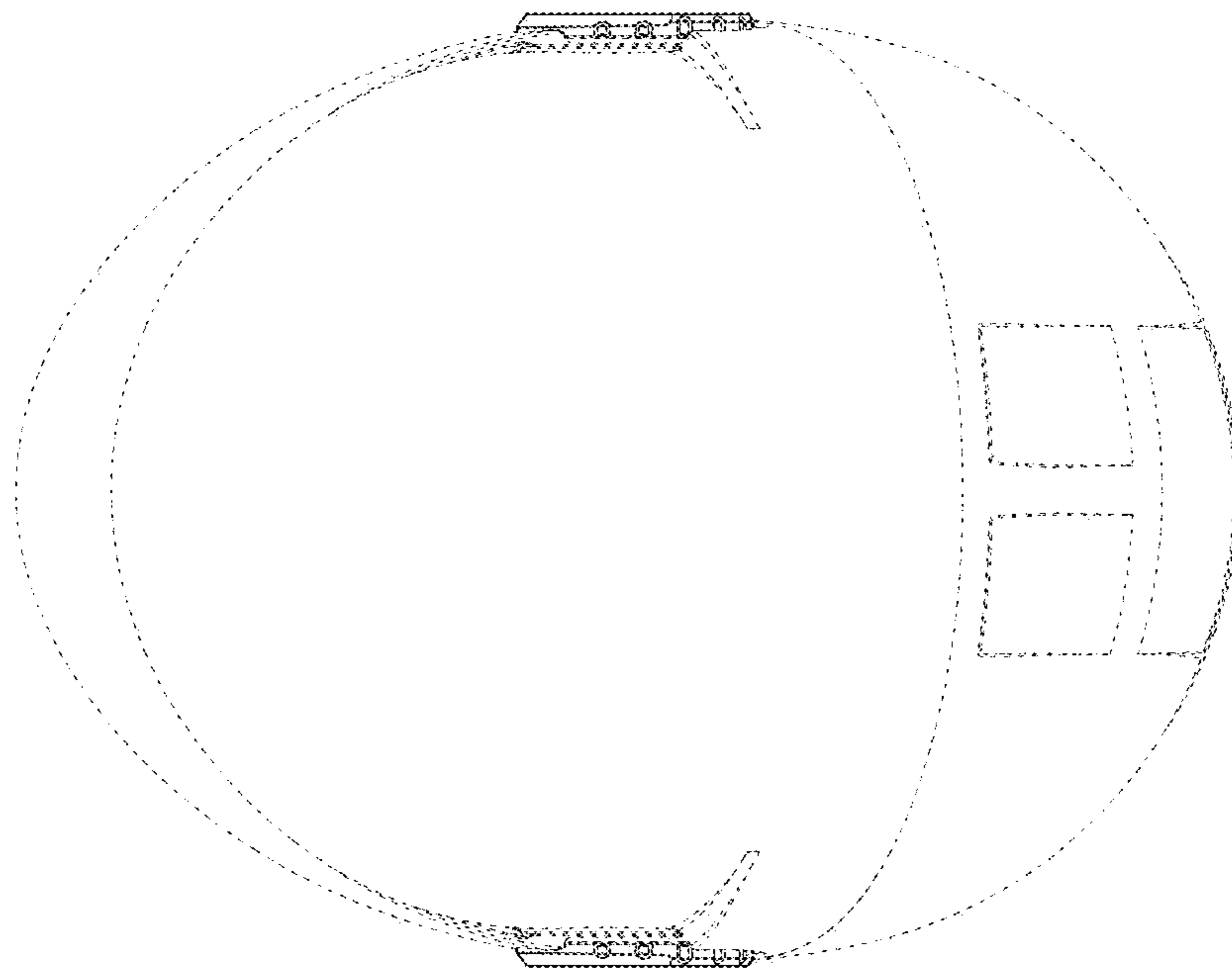


FIG. 7

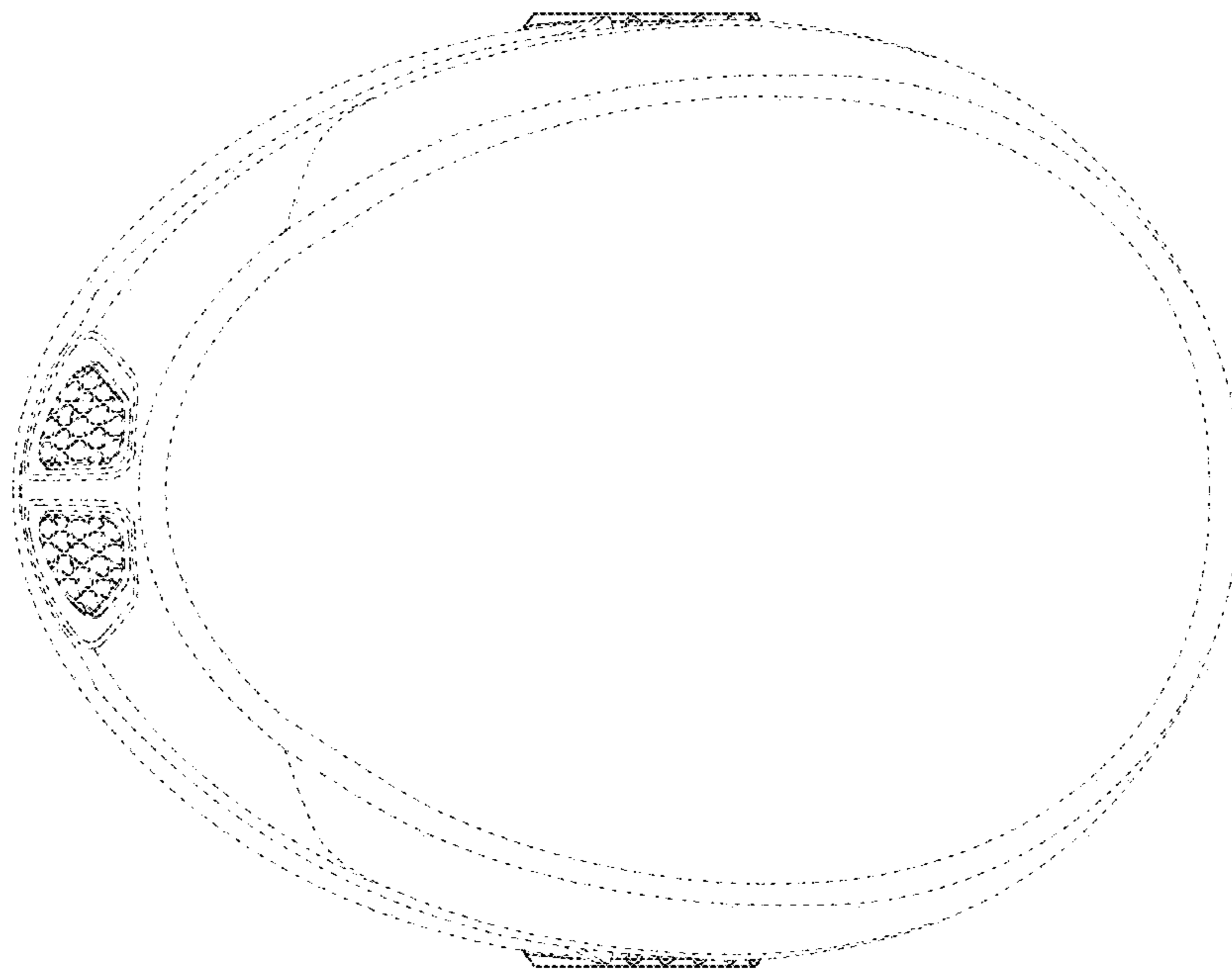


FIG. 8