



US00D934502S

(12) **United States Design Patent** (10) **Patent No.:** **US D934,502 S**  
**Van Roosmalen et al.** (45) **Date of Patent:** **\*\* Oct. 26, 2021**

(54) **HANDLE FOR SHAVER**

*Primary Examiner* — Jennifer Rivard

(71) Applicant: **KONINKLIJKE PHILIPS N.V.**,  
Eindhoven (NL)

(57) **CLAIM**

The ornamental design for a handle for shaver, as shown.

(72) Inventors: **Jos Van Roosmalen**, Amsterdam (NL);  
**Frank Verbrugge**, Rosmalen (NL);  
**Jens Andersson**, Amsterdam (NL);  
**Roel Krooshof**, Bilthoven (NL); **Simon Van Anken**, Amsterdam (NL); **Peter Gal**, Amsterdam (NL); **Lieven Adriaenssen**, Vilvoorde (BE); **Roshan Hakkim**, Amsterdam (NL); **Mingshuo Zhang**, Amstelveen (NL)

**DESCRIPTION**

(73) Assignee: **KONINKLIJKE PHILIPS N.V.**,  
Eindhoven (NL)

FIG. 1 is a perspective view showing the first embodiment of a handle for shaver;  
FIG. 2 is a front elevational view thereof;  
FIG. 3 is a rear elevational view thereof;  
FIG. 4 is a right side elevational view thereof;  
FIG. 5 is a left side elevational view thereof;  
FIG. 6 is a top plan view thereof;  
FIG. 7 is a bottom plan view thereof;  
FIG. 8 is a perspective view showing the second embodiment of a handle for shaver;  
FIG. 9 is a front elevational view thereof;  
FIG. 10 is a rear elevational view thereof;  
FIG. 11 is a right side elevational view thereof;  
FIG. 12 is a left side elevational view thereof;  
FIG. 13 is a top plan view thereof;  
FIG. 14 is a bottom plan view thereof;  
FIG. 15 is a perspective view showing a third embodiment of a handle for shaver;  
FIG. 16 is a front elevational view thereof;  
FIG. 17 is a rear elevational view thereof;  
FIG. 18 is a right side elevational view thereof;  
FIG. 19 is a left side elevational view thereof;  
FIG. 20 is a top plan view thereof;  
FIG. 21 is a bottom plan view thereof;  
FIG. 22 is a perspective view showing the fourth embodiment of a handle for shaver;  
FIG. 23 is a front elevational view thereof;  
FIG. 24 is a rear elevational view thereof;  
FIG. 25 is a right side elevational view thereof;  
FIG. 26 is a left side elevational view thereof;  
FIG. 27 is a top plan view thereof; and,  
FIG. 28 is a bottom plan view thereof.

(\*\*) Term: **15 Years**

(21) Appl. No.: **29/723,190**

(22) Filed: **Feb. 5, 2020**

(51) **LOC (13) Cl.** ..... **28-03**

(52) **U.S. Cl.**  
USPC ..... **D28/50; D28/54**

(58) **Field of Classification Search**  
USPC ..... **D28/49-54**

(Continued)

(56) **References Cited**

**U.S. PATENT DOCUMENTS**

D326,738 S \* 6/1992 Mauro ..... D28/50

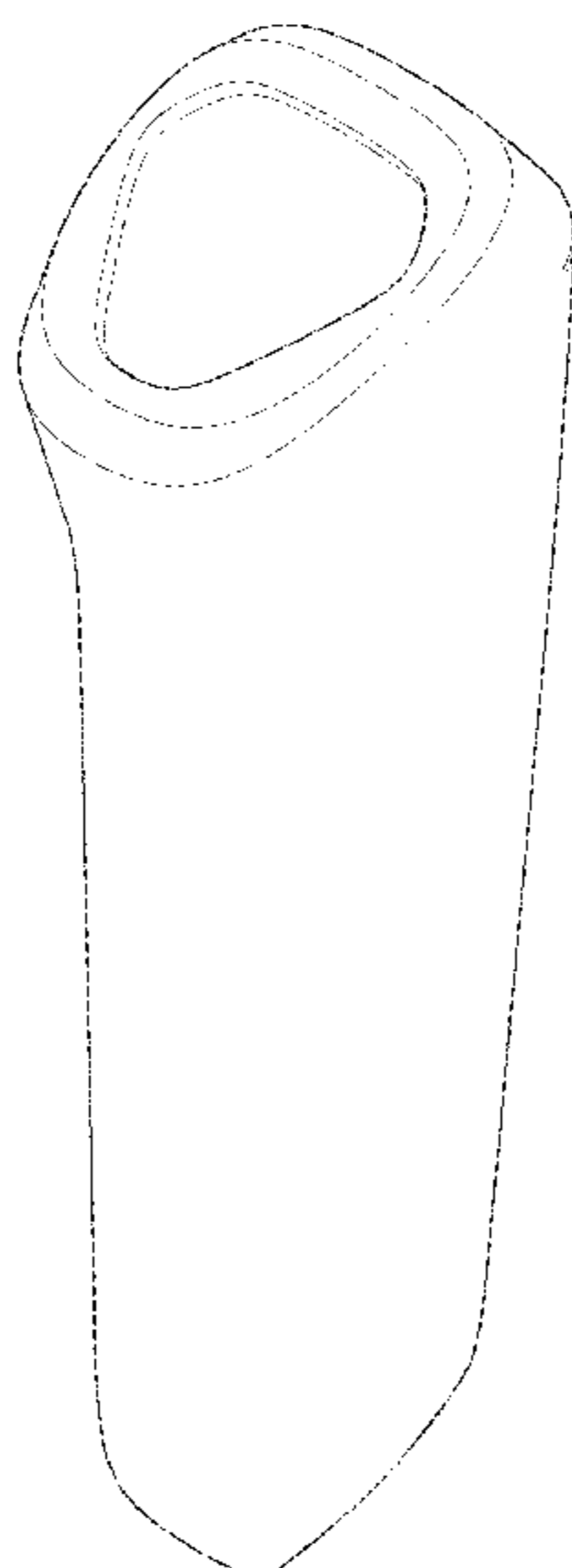
D389,276 S \* 1/1998 Bone ..... D28/50

(Continued)

**OTHER PUBLICATIONS**

Ultimate guide to electric shavers 2021, downloaded Feb. 2021, 23 pages <https://www.allaboutrazor.com/corded-electric-shaver/> (Year: 2021).\*

**1 Claim, 24 Drawing Sheets**



(58) **Field of Classification Search**  
 CPC ..... B26B 19/14–18; B26B 19/38; B26B  
 19/3853–3893; B26B 19/3806–384  
 See application file for complete search history.

(56) **References Cited**

U.S. PATENT DOCUMENTS

D405,922 S \* 2/1999 Bone ..... D28/50  
 D513,342 S \* 12/2005 Sulik ..... D28/50  
 D520,681 S \* 5/2006 Beedham ..... D28/50  
 D520,682 S \* 5/2006 Butcher ..... D28/50  
 D542,473 S \* 5/2007 McLachlan ..... D28/50  
 D544,999 S \* 6/2007 Prat-Pfister ..... D28/50  
 D546,001 S \* 7/2007 McLachlan ..... D28/50  
 D549,873 S \* 8/2007 Prat-Pfister ..... D28/50  
 D550,901 S \* 9/2007 Masee ..... D28/50  
 D563,599 S \* 3/2008 Prat-Pfister ..... D28/50  
 D593,252 S \* 5/2009 Masuda ..... D28/50  
 D601,301 S \* 9/2009 Bao ..... D28/50  
 D604,013 S \* 11/2009 Qiu ..... D28/50  
 D608,053 S \* 1/2010 Vetu ..... D28/50  
 D620,198 S \* 7/2010 Nitz ..... D28/50  
 D620,641 S \* 7/2010 Nitz ..... D28/50  
 D620,642 S \* 7/2010 Nitz ..... D28/50  
 D637,759 S \* 5/2011 Byun ..... D28/50  
 D651,746 S \* 1/2012 Prat-Pfister ..... D28/50  
 D654,223 S \* 2/2012 Aulwes ..... D28/50  
 D675,779 S \* 2/2013 Vetu ..... D28/50  
 D695,961 S \* 12/2013 Prat-Pfister ..... D28/50  
 D695,962 S \* 12/2013 Prat-Pfister ..... D28/50

D698,491 S \* 1/2014 Ellison ..... D28/50  
 D737,514 S \* 8/2015 Roland ..... D28/50  
 D737,515 S \* 8/2015 Roland ..... D28/50  
 D738,042 S \* 9/2015 Roland ..... D28/50  
 D748,857 S \* 2/2016 Boulanger ..... D28/50  
 D758,014 S \* 5/2016 Smith ..... D28/50  
 D758,015 S \* 5/2016 Prat-Pfister ..... D28/50  
 D758,017 S \* 5/2016 Smith ..... D28/54  
 D758,659 S \* 6/2016 Smith ..... D28/50  
 D758,660 S \* 6/2016 Prat-Pfister ..... D28/50  
 D776,348 S \* 1/2017 Frankel ..... D28/50  
 D777,375 S \* 1/2017 Frankel ..... D28/50  
 D777,376 S \* 1/2017 Frankel ..... D28/50  
 D808,077 S \* 1/2018 Boulanger ..... D28/50  
 D808,591 S \* 1/2018 Prat-Pfister ..... D28/50  
 D812,301 S \* 3/2018 Yan ..... D28/50  
 D819,274 S \* 5/2018 Yan ..... D28/50  
 D821,032 S \* 6/2018 Prat-Pfister ..... D28/50  
 D824,103 S \* 7/2018 Yan ..... D28/50  
 D824,595 S \* 7/2018 Yan ..... D28/50  
 D844,242 S \* 3/2019 Yan ..... D28/50  
 D844,243 S \* 3/2019 Chen ..... D28/50  
 D848,071 S \* 5/2019 Prat-Pfister ..... D28/50  
 D848,072 S \* 5/2019 Prat-Pfister ..... D28/50  
 D856,583 S \* 8/2019 Chen ..... D28/50  
 D858,880 S \* 9/2019 Lu ..... D28/50  
 D858,881 S \* 9/2019 Lu ..... D28/50  
 D861,986 S \* 10/2019 Wang ..... D28/50  
 D880,064 S \* 3/2020 Andersson ..... D28/50  
 D884,972 S \* 5/2020 Andersson ..... D28/50  
 D889,042 S \* 6/2020 Andersson ..... D28/50  
 D902,486 S \* 11/2020 Andersson ..... D28/50

\* cited by examiner

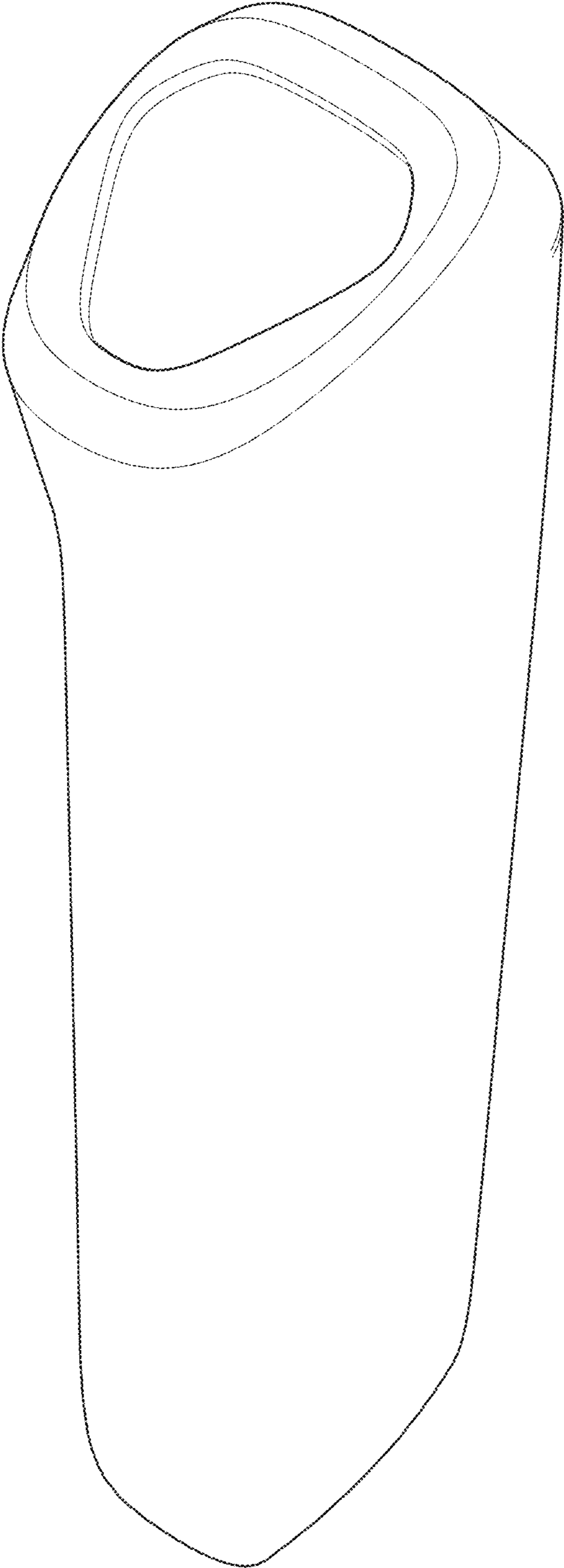


FIG. 1

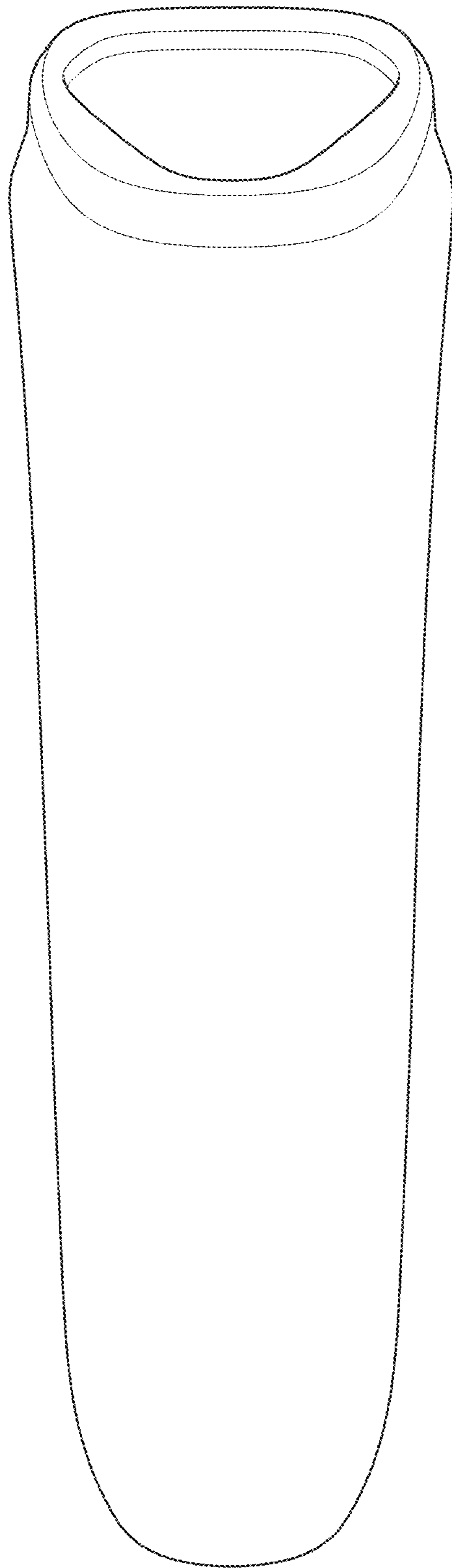


FIG. 2

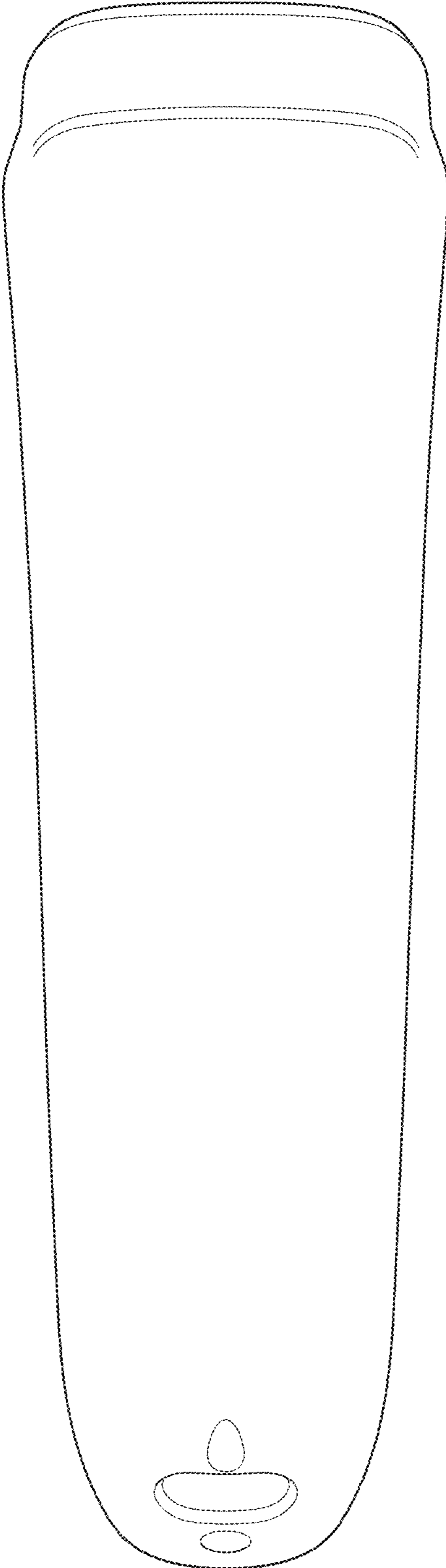


FIG. 3

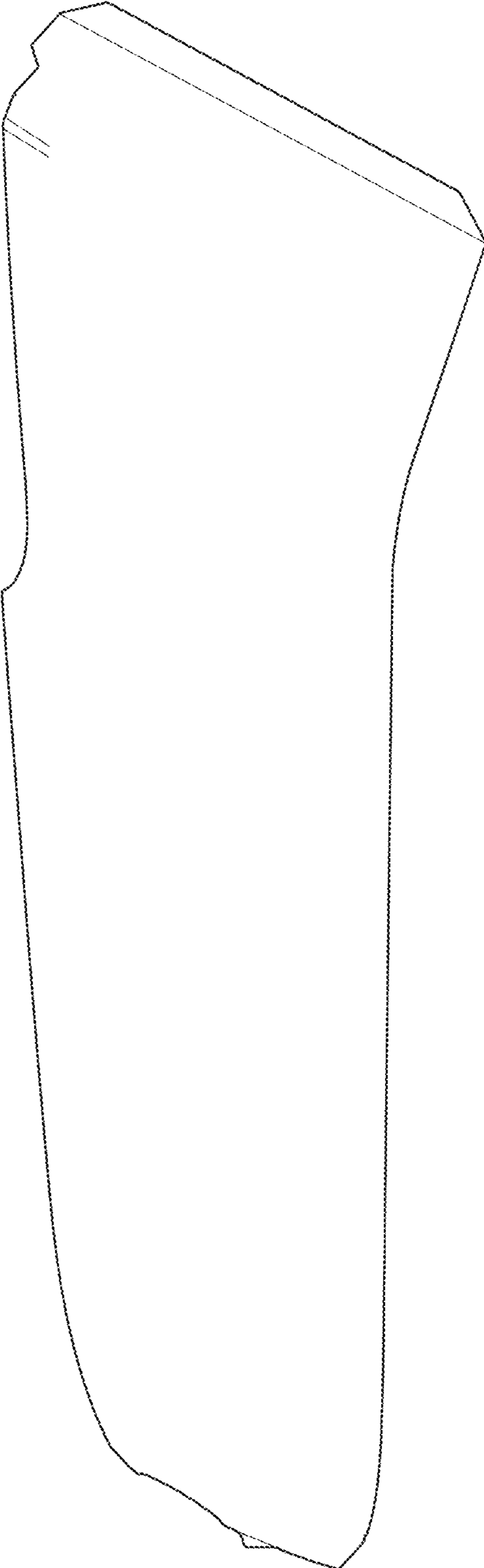


FIG. 4



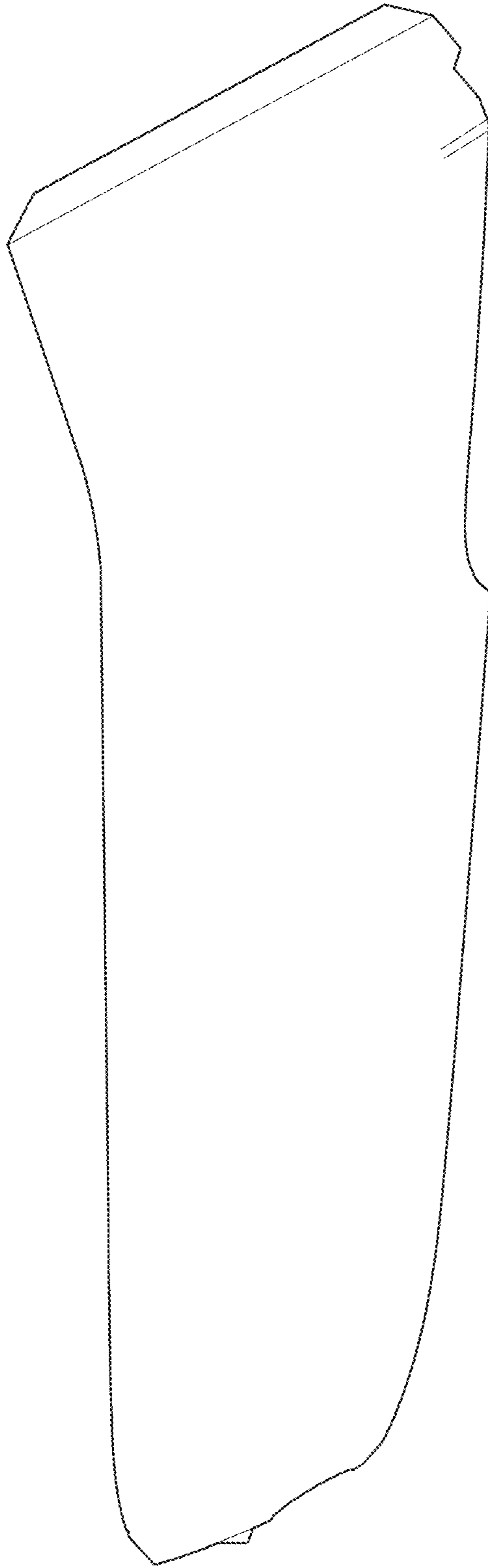


FIG. 5

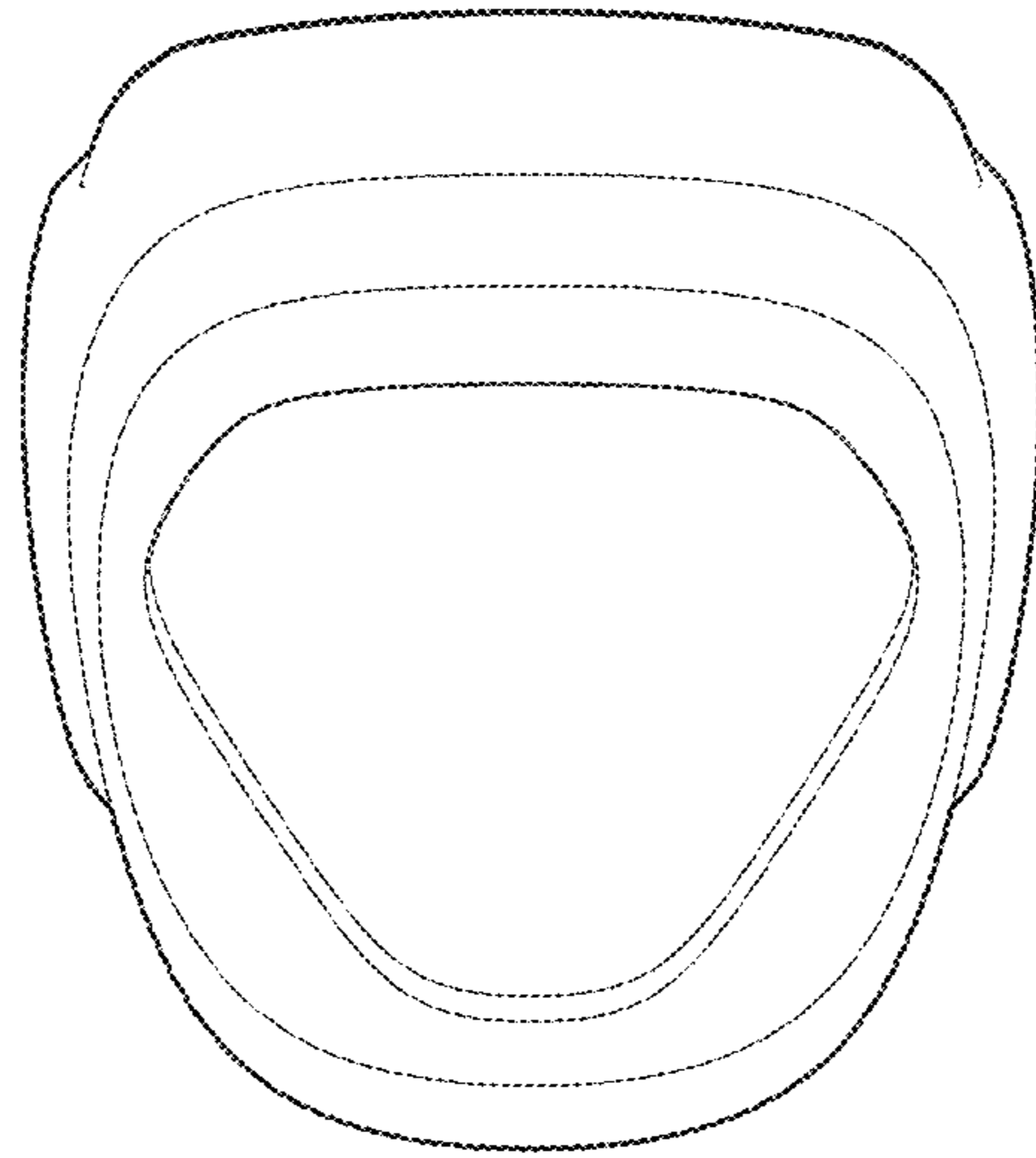


FIG. 6

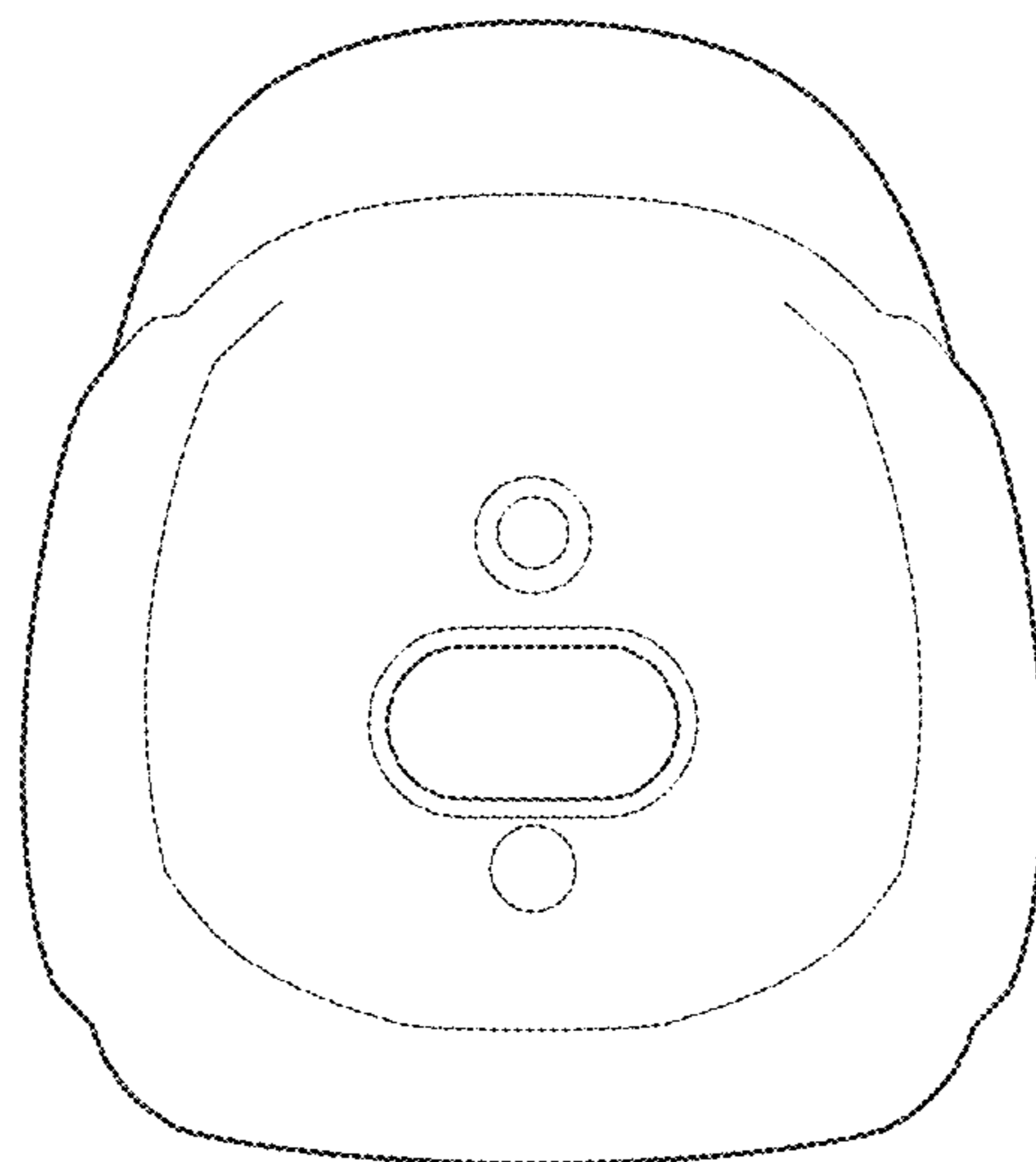


FIG. 7



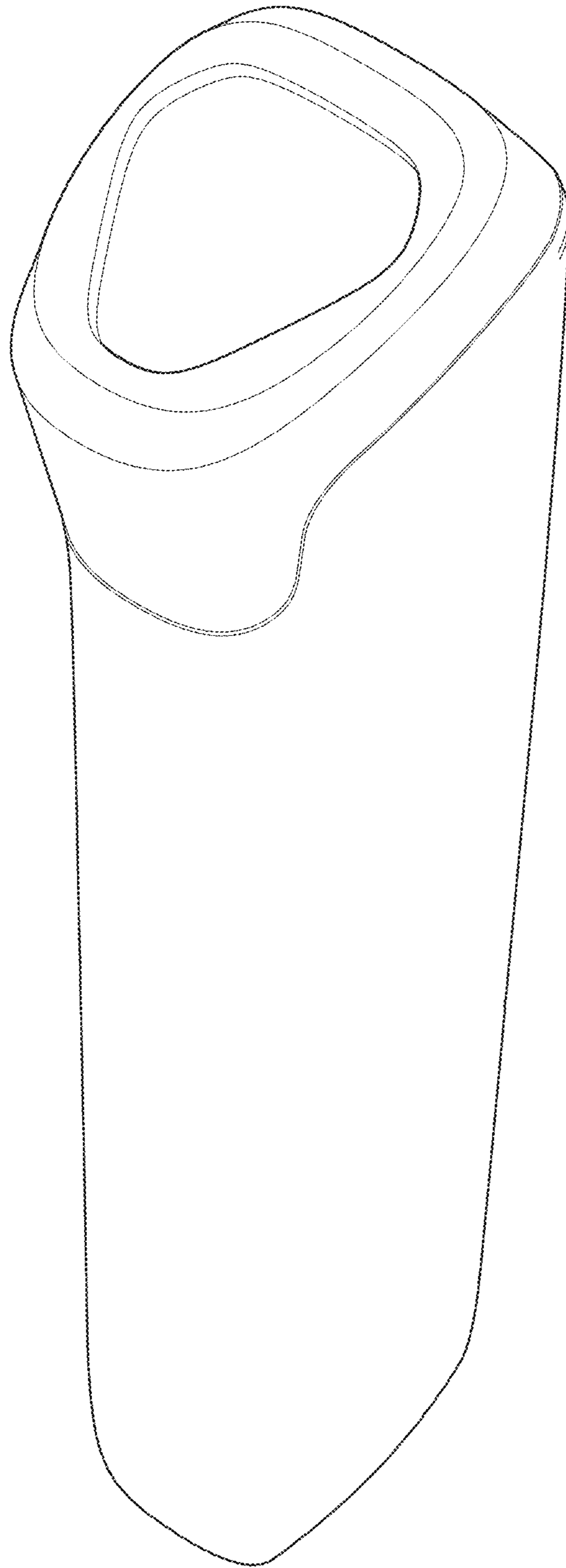


FIG. 8

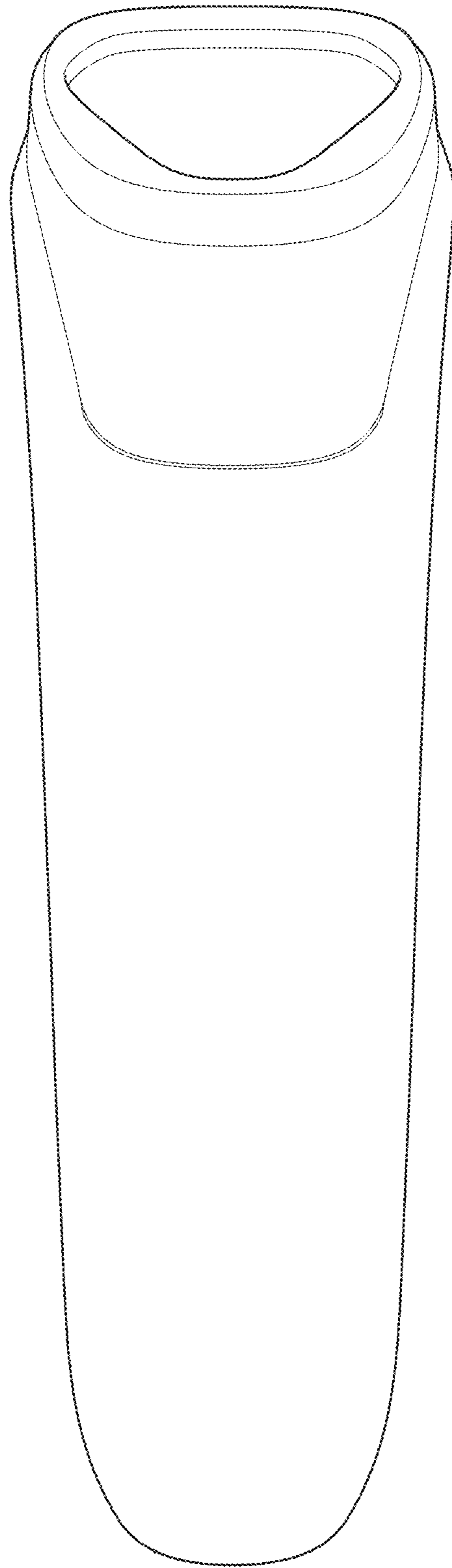


FIG. 9

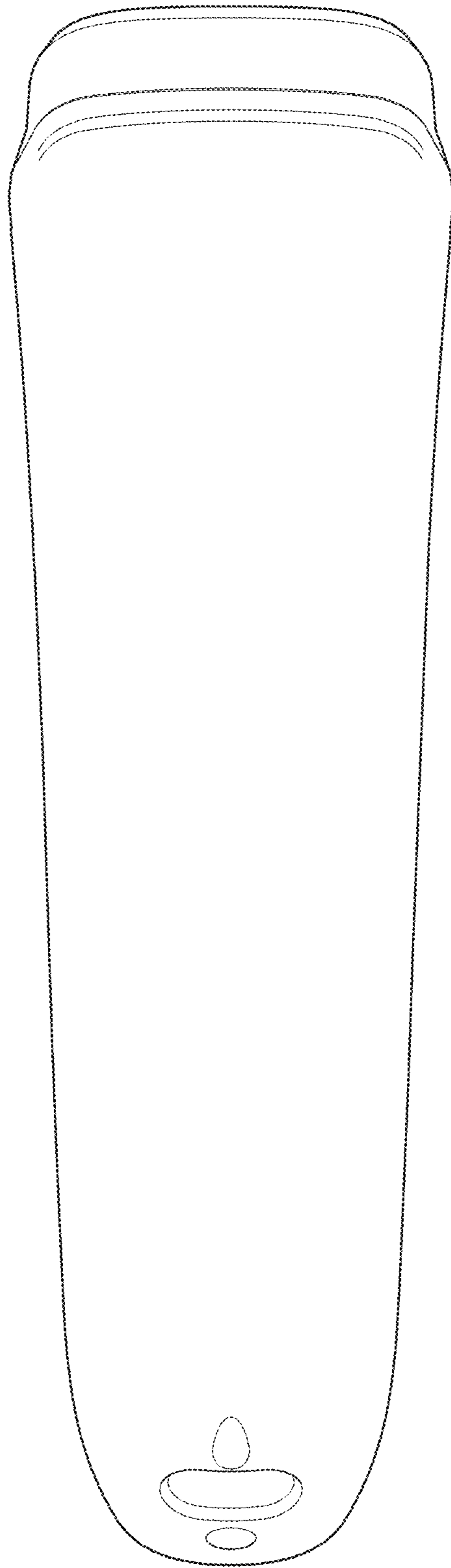


FIG. 10

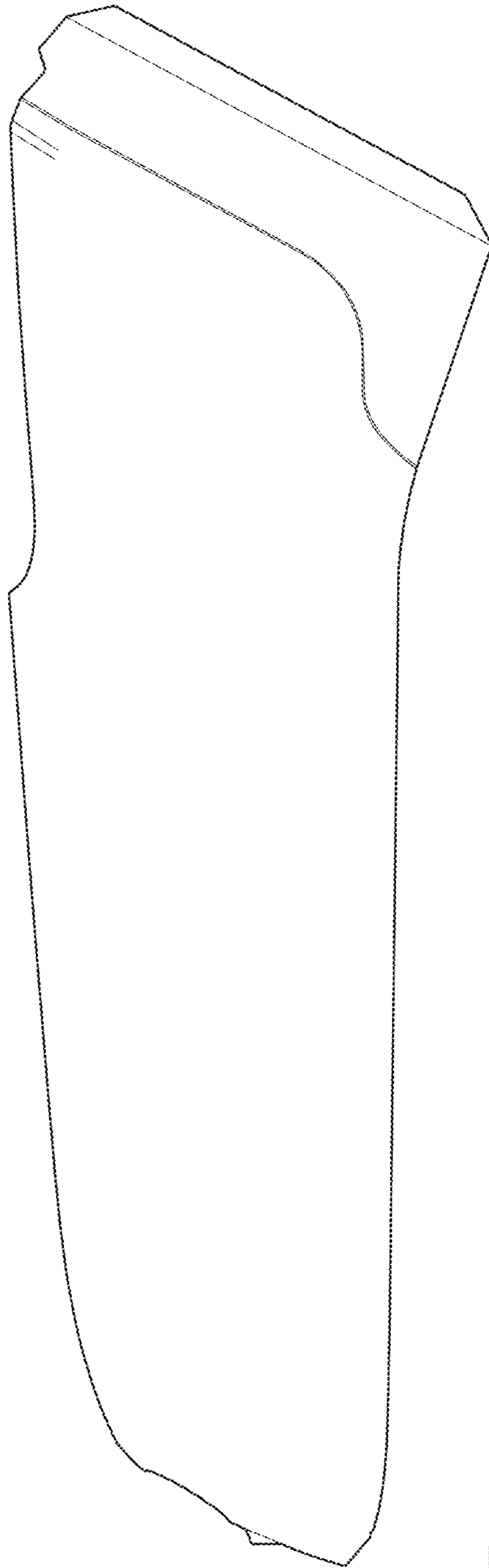


FIG. 11

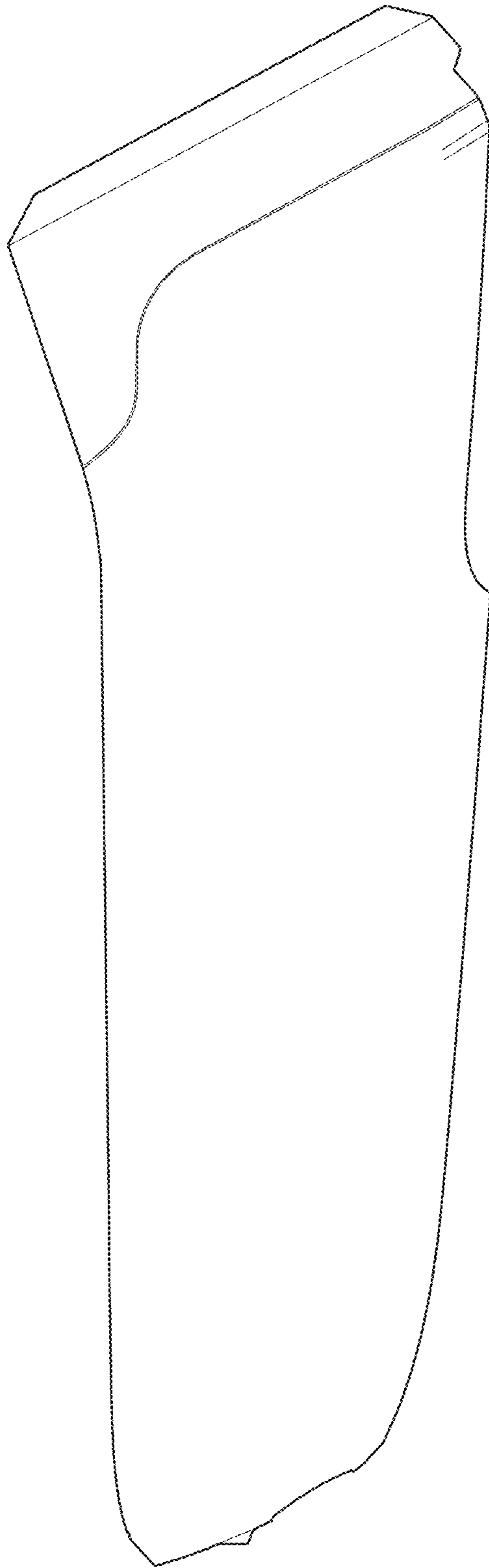


FIG. 12

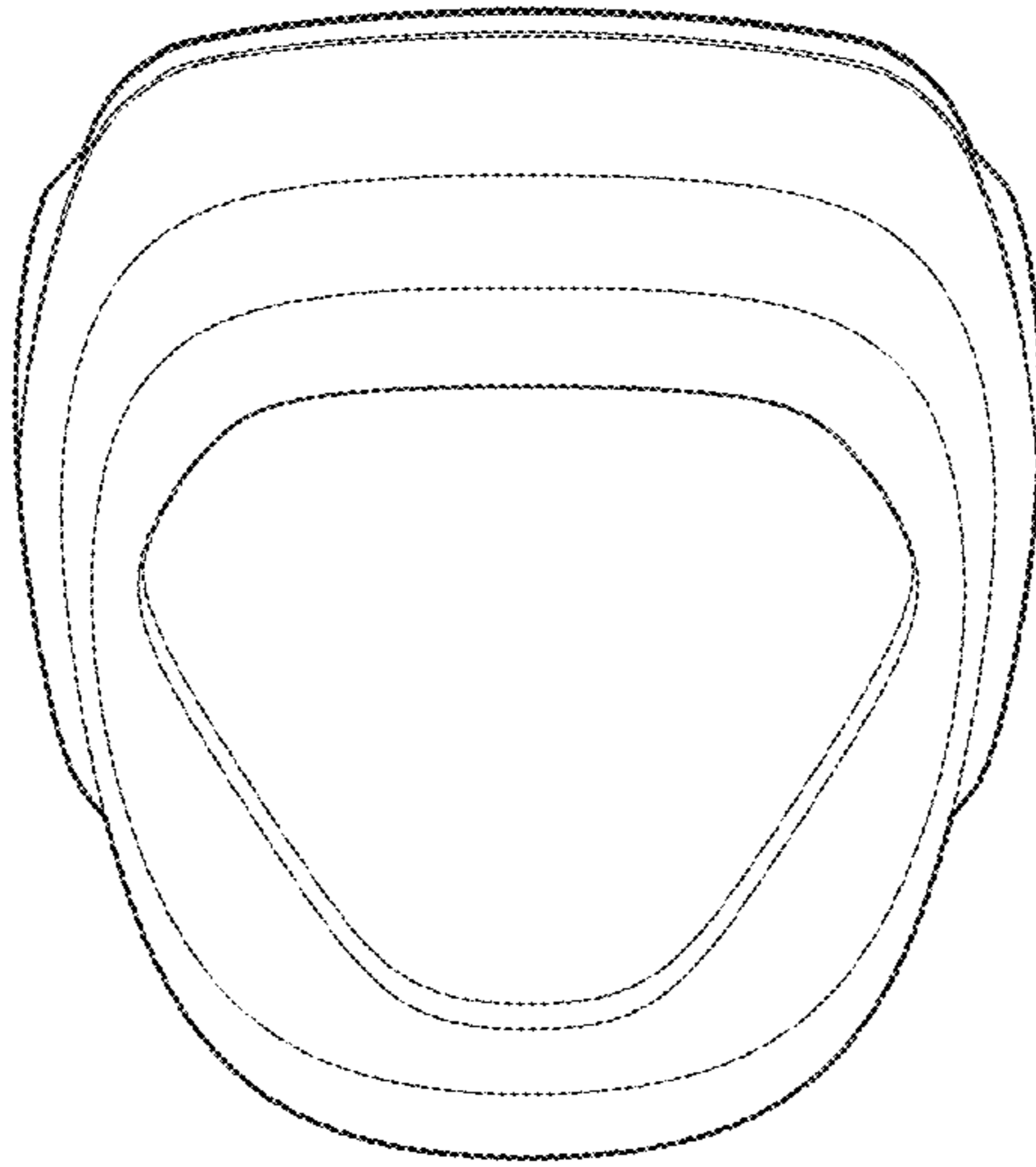


FIG. 13

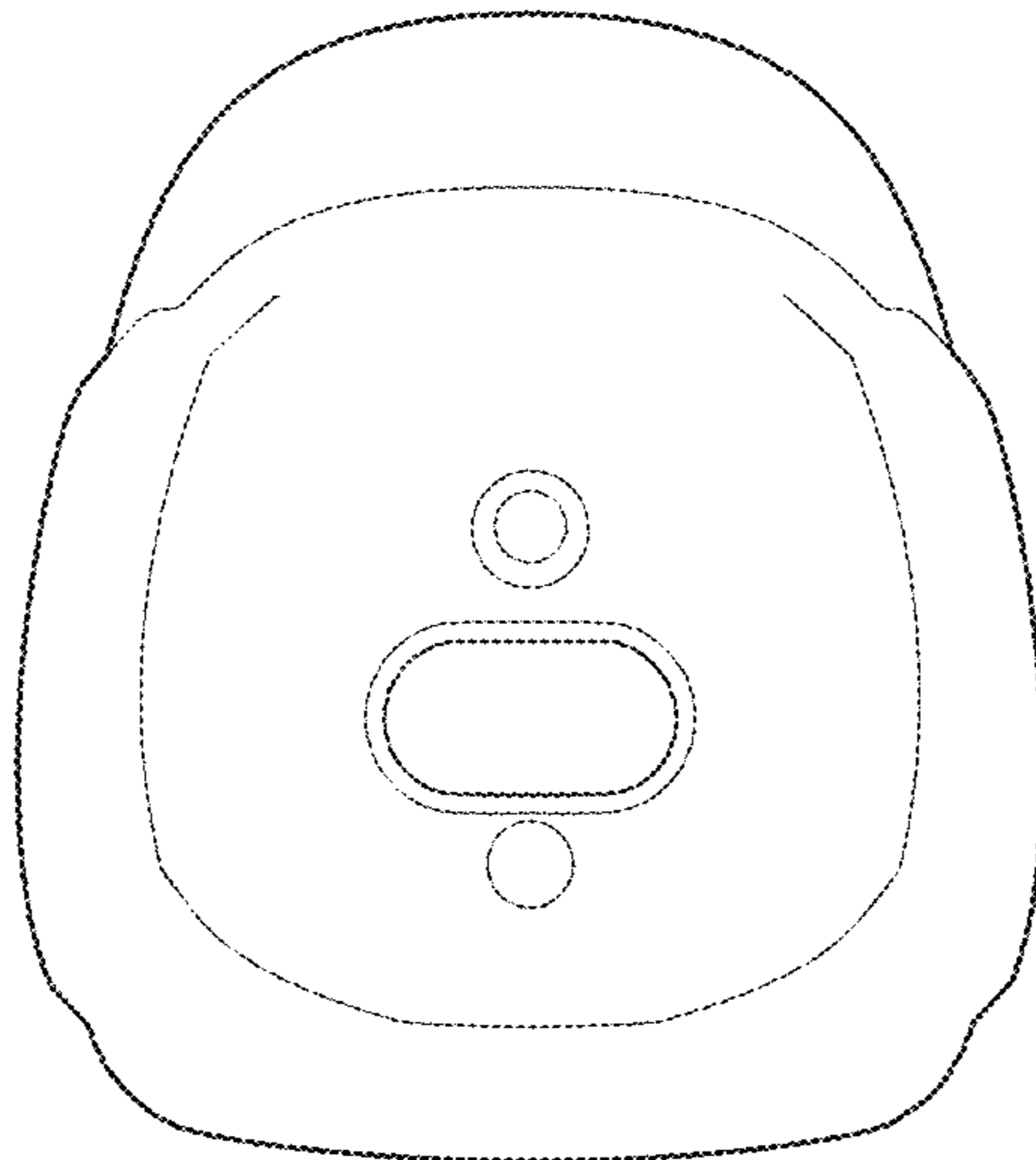


FIG. 14



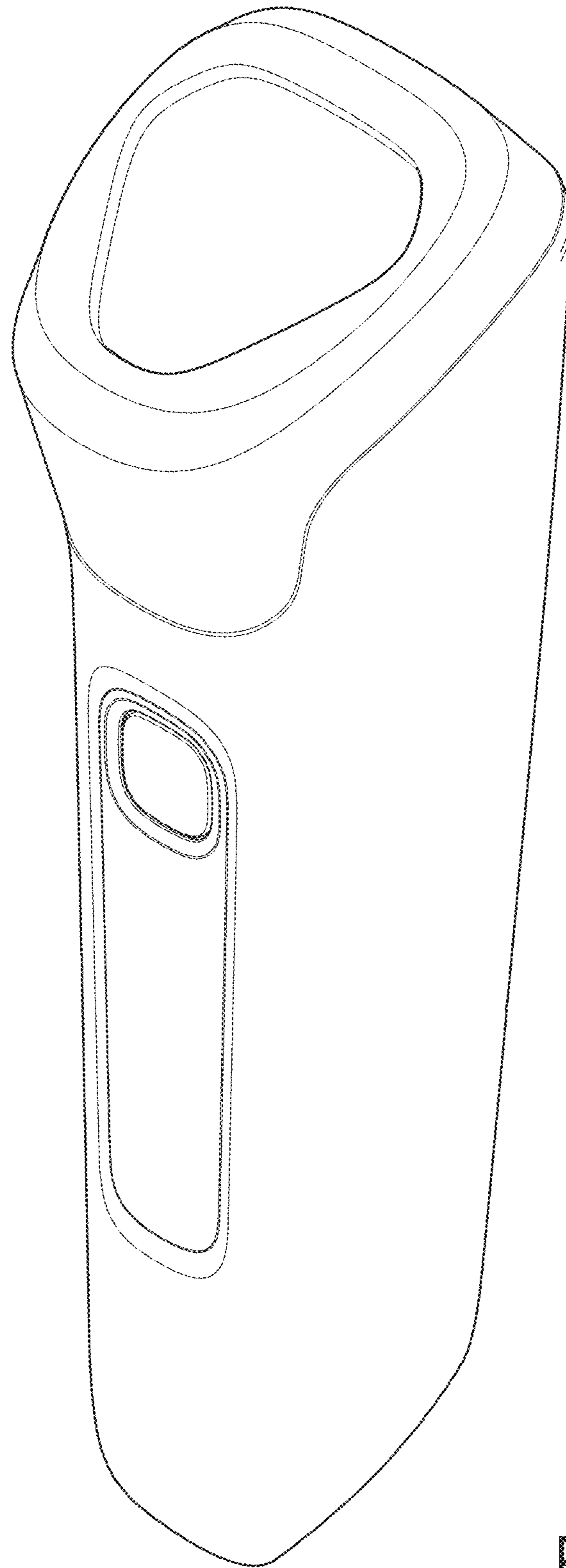


FIG. 15

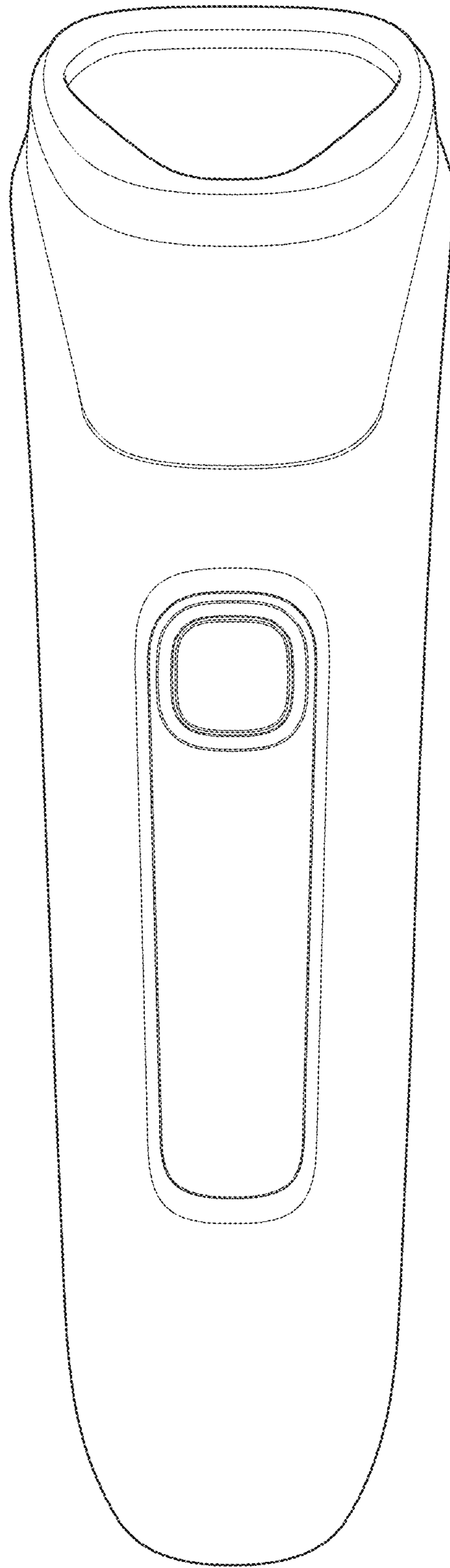


FIG. 16

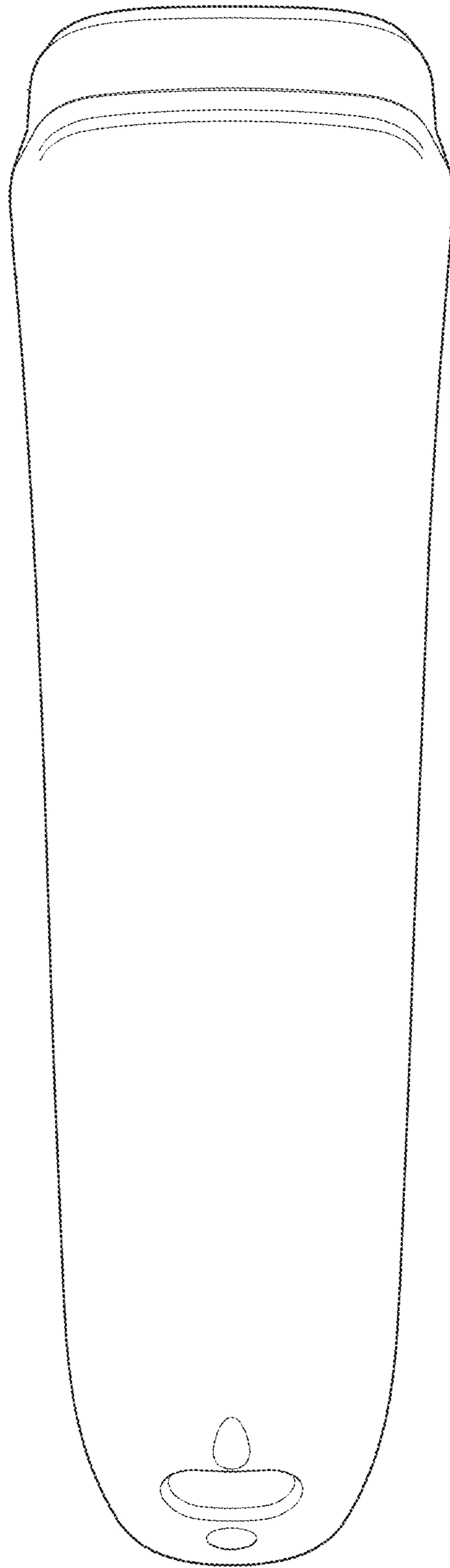


FIG. 17

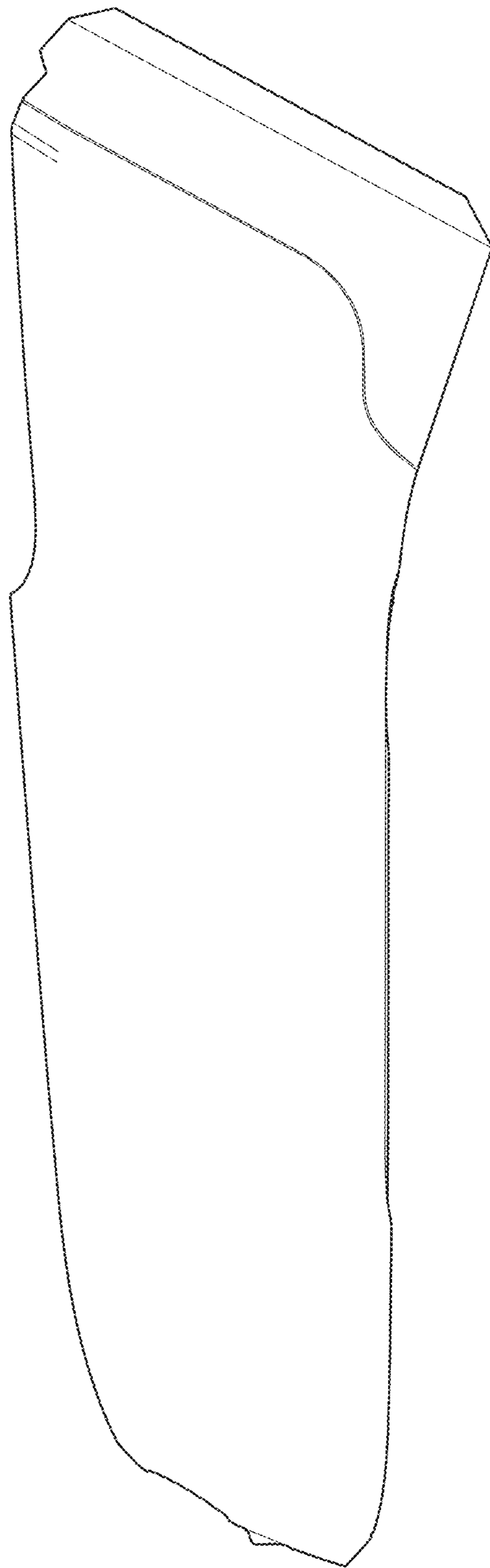


FIG. 18

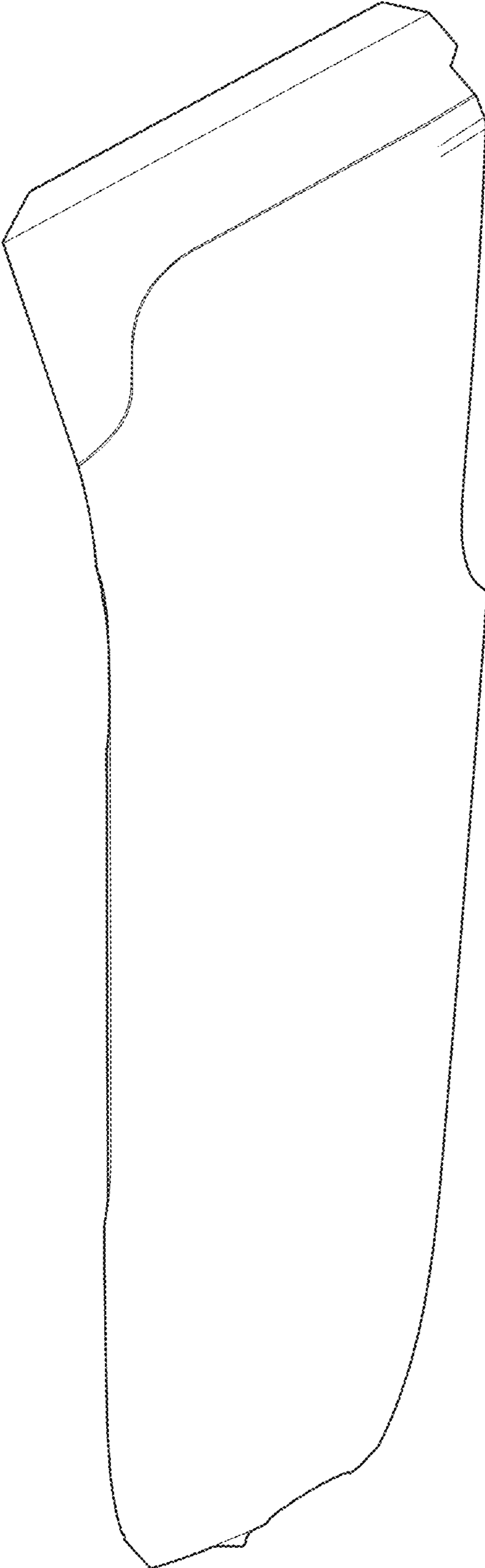


FIG. 19

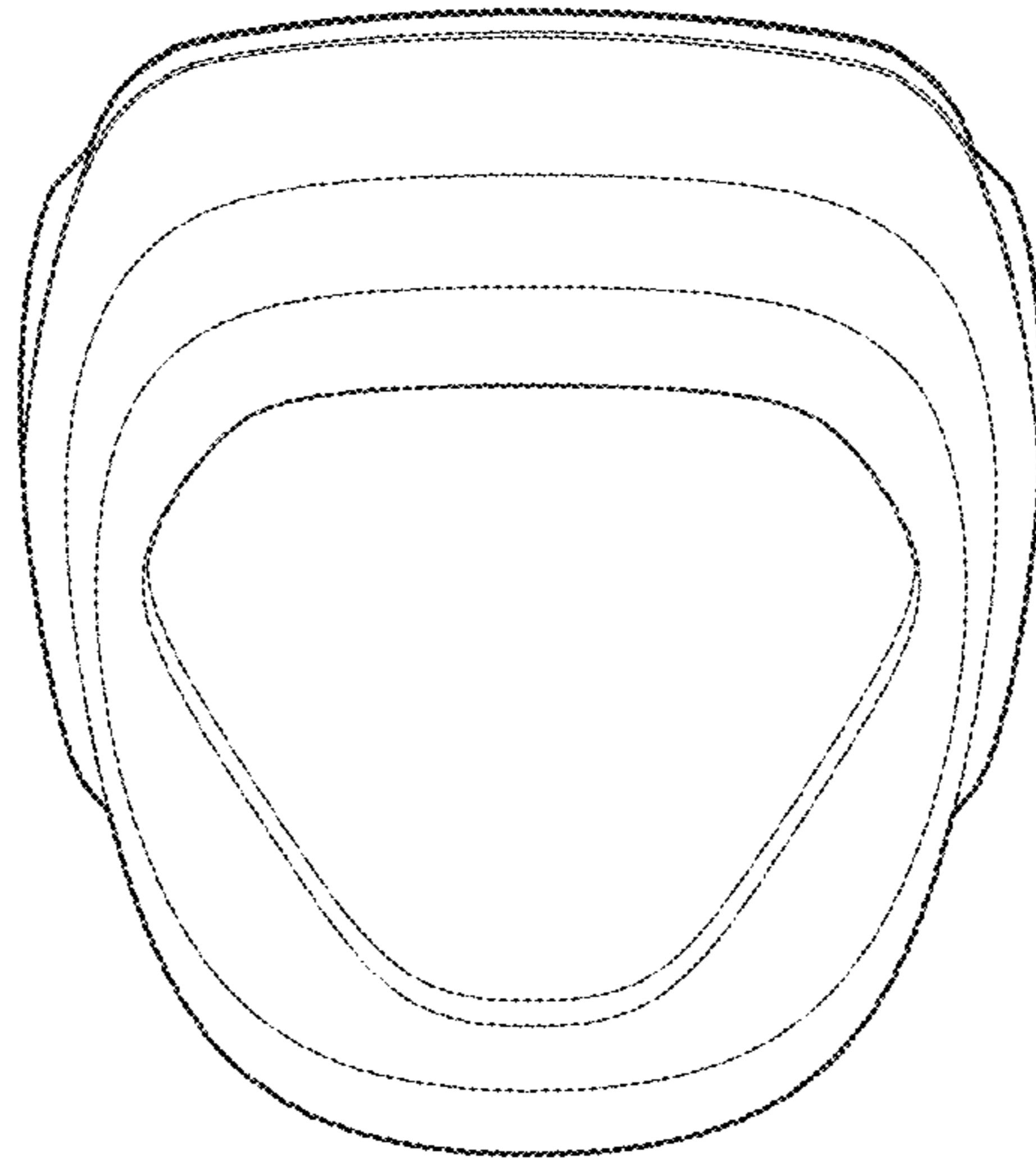


FIG. 20

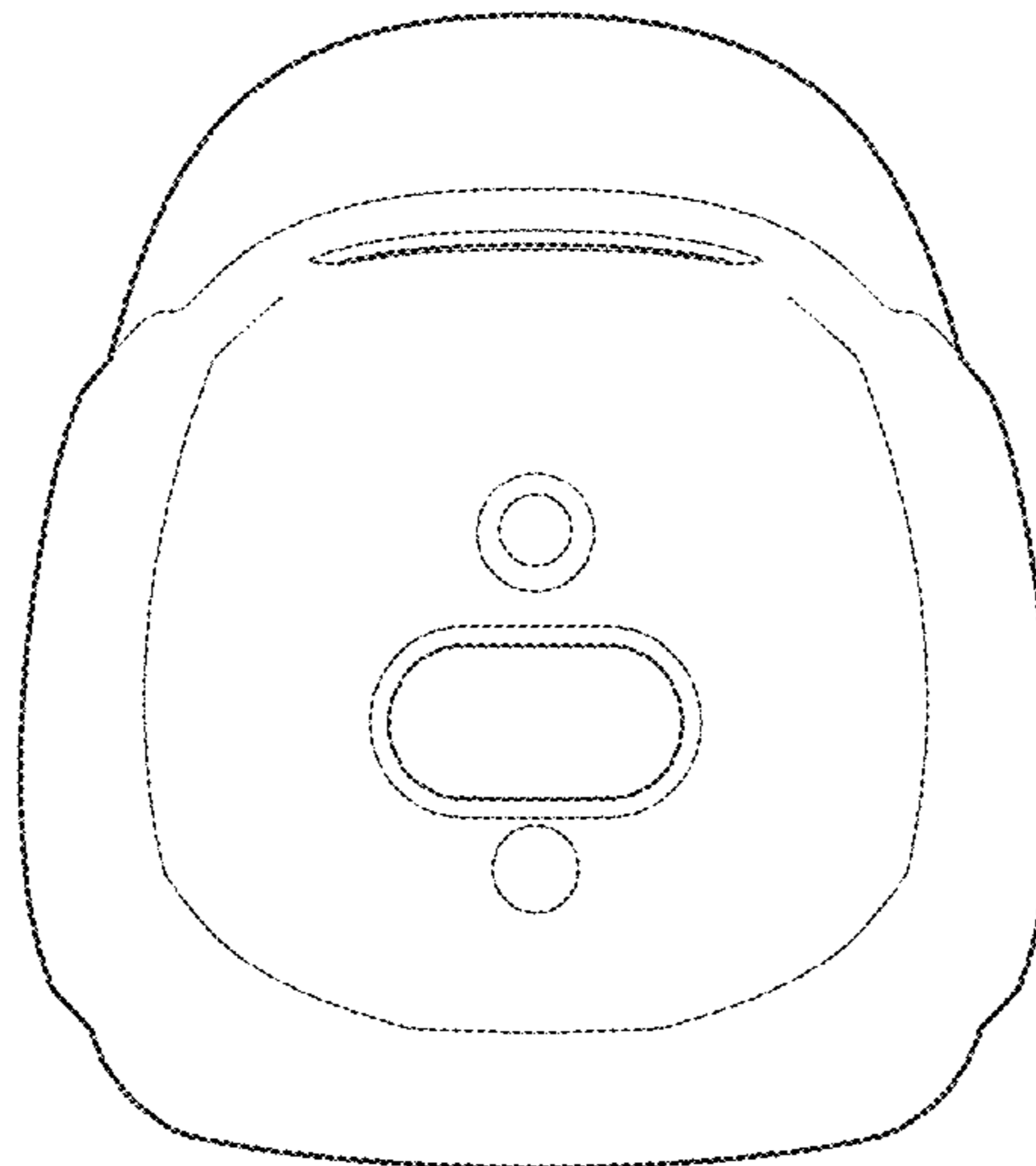


FIG. 21



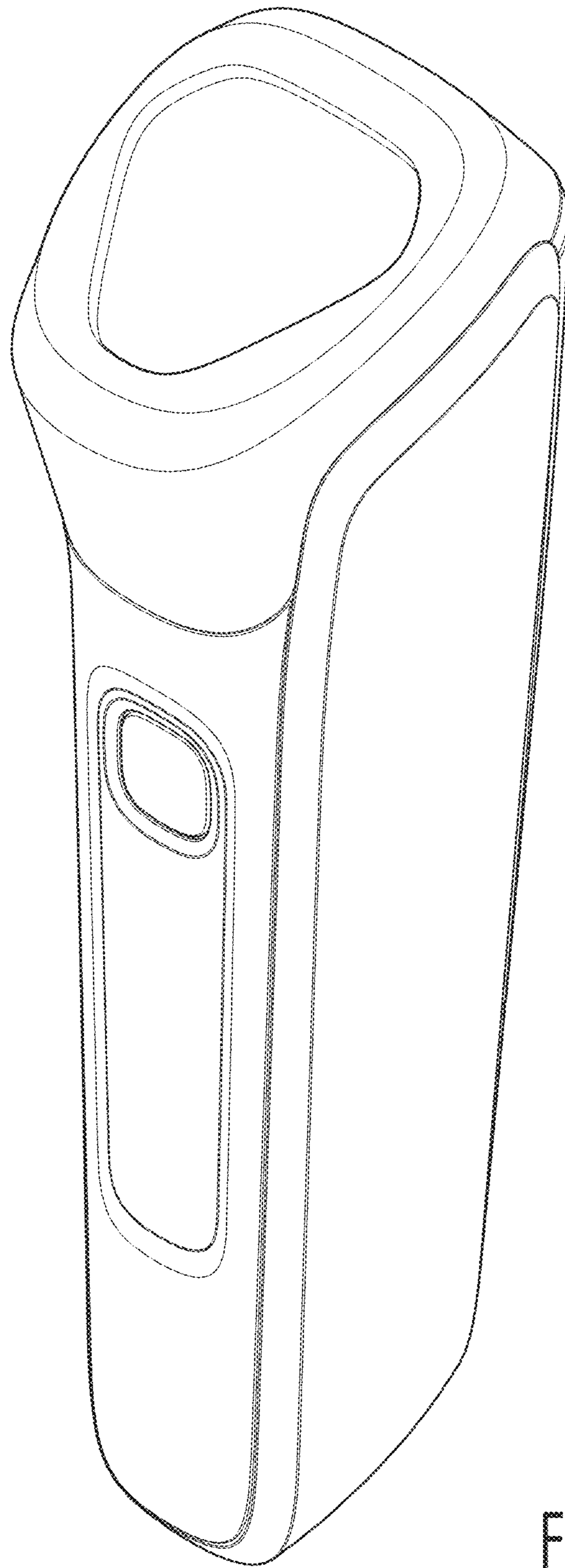


FIG. 22

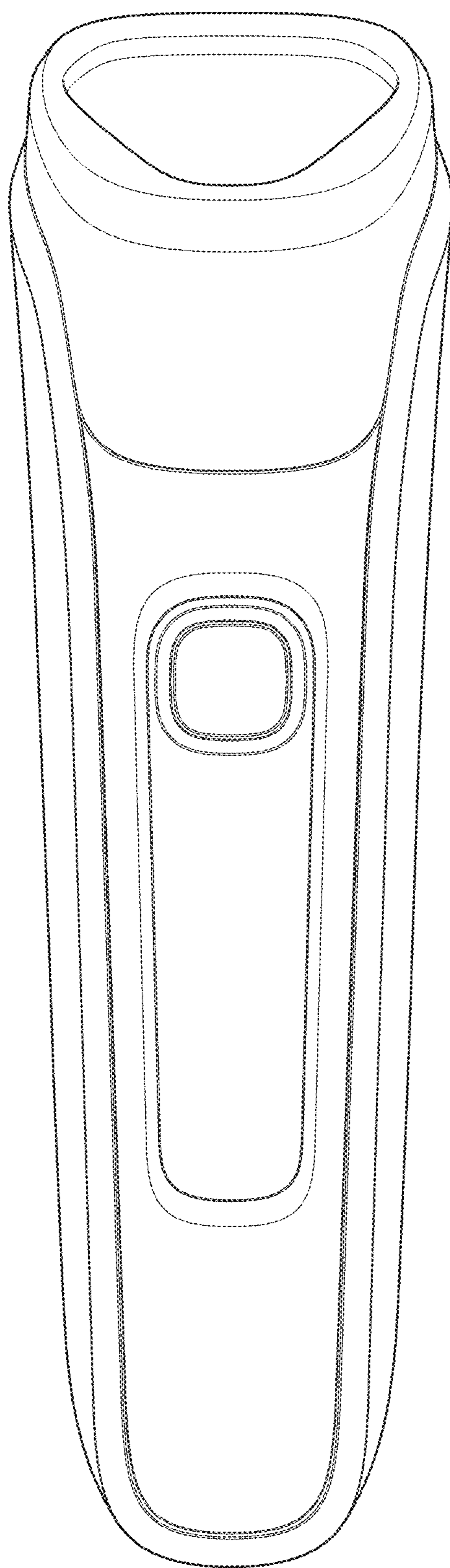


FIG. 23

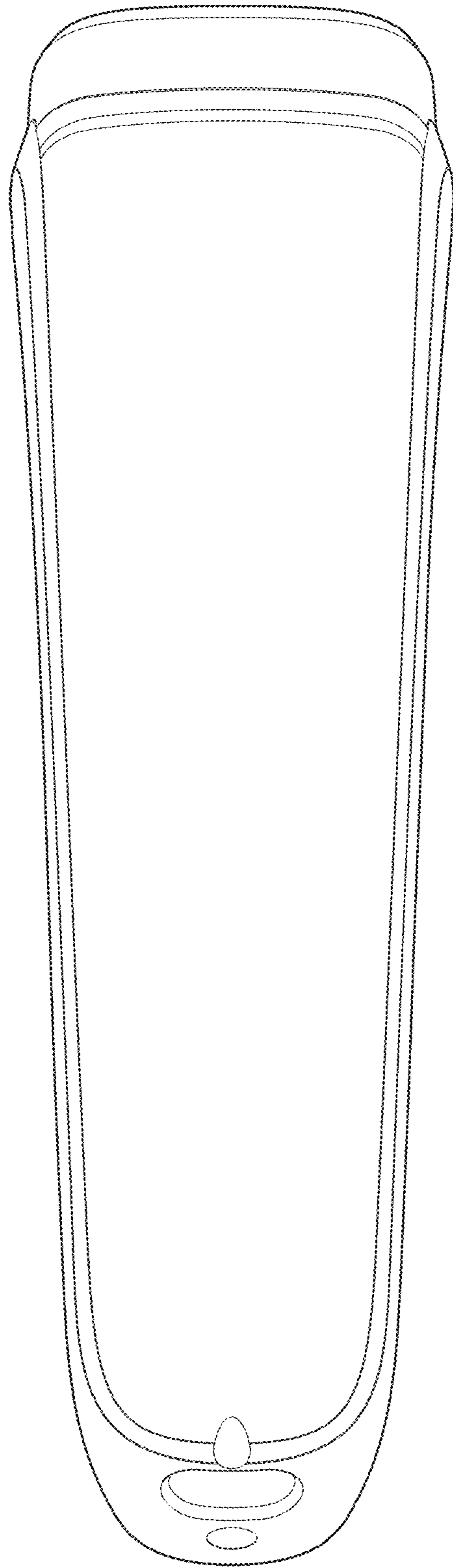


FIG. 24

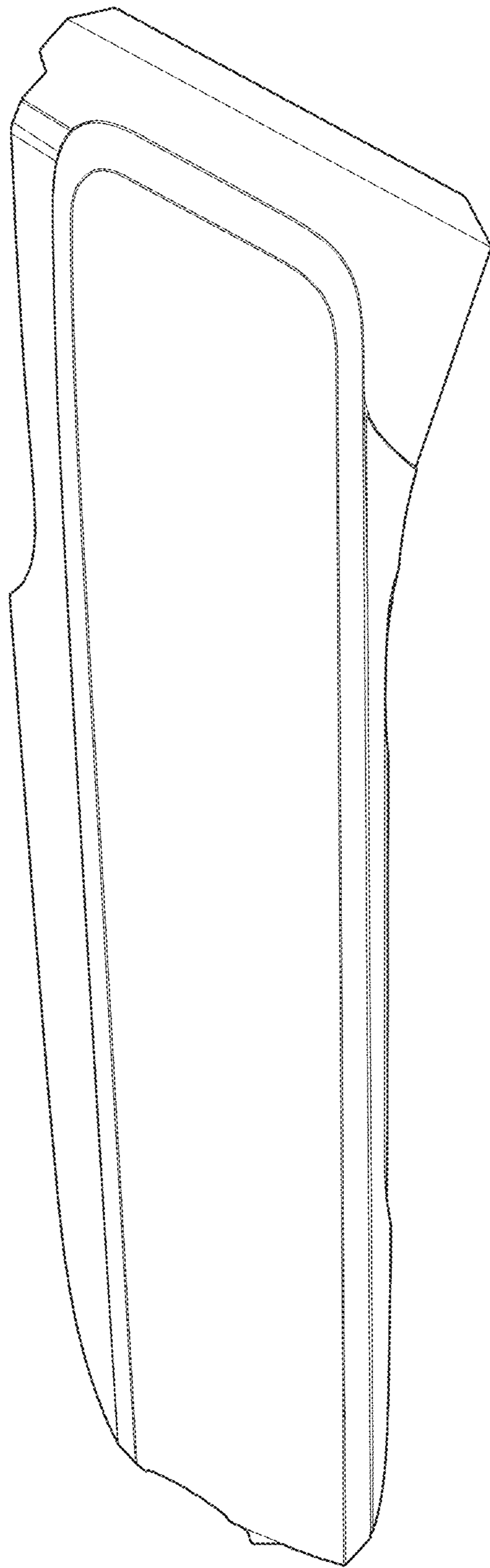


FIG. 25

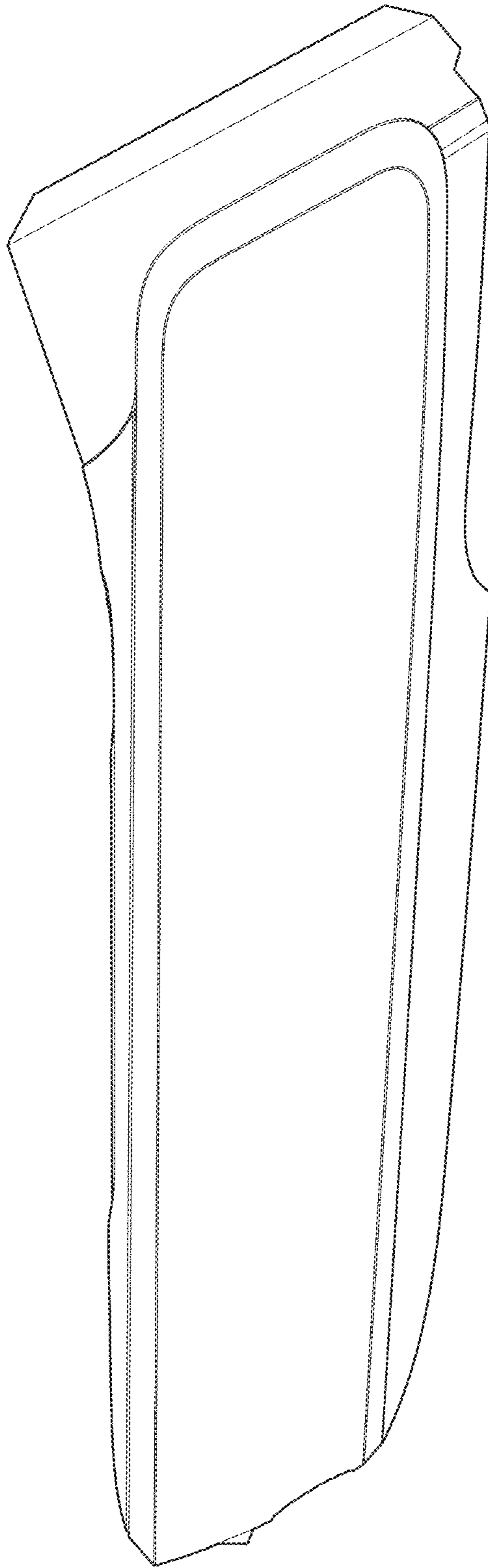


FIG. 26

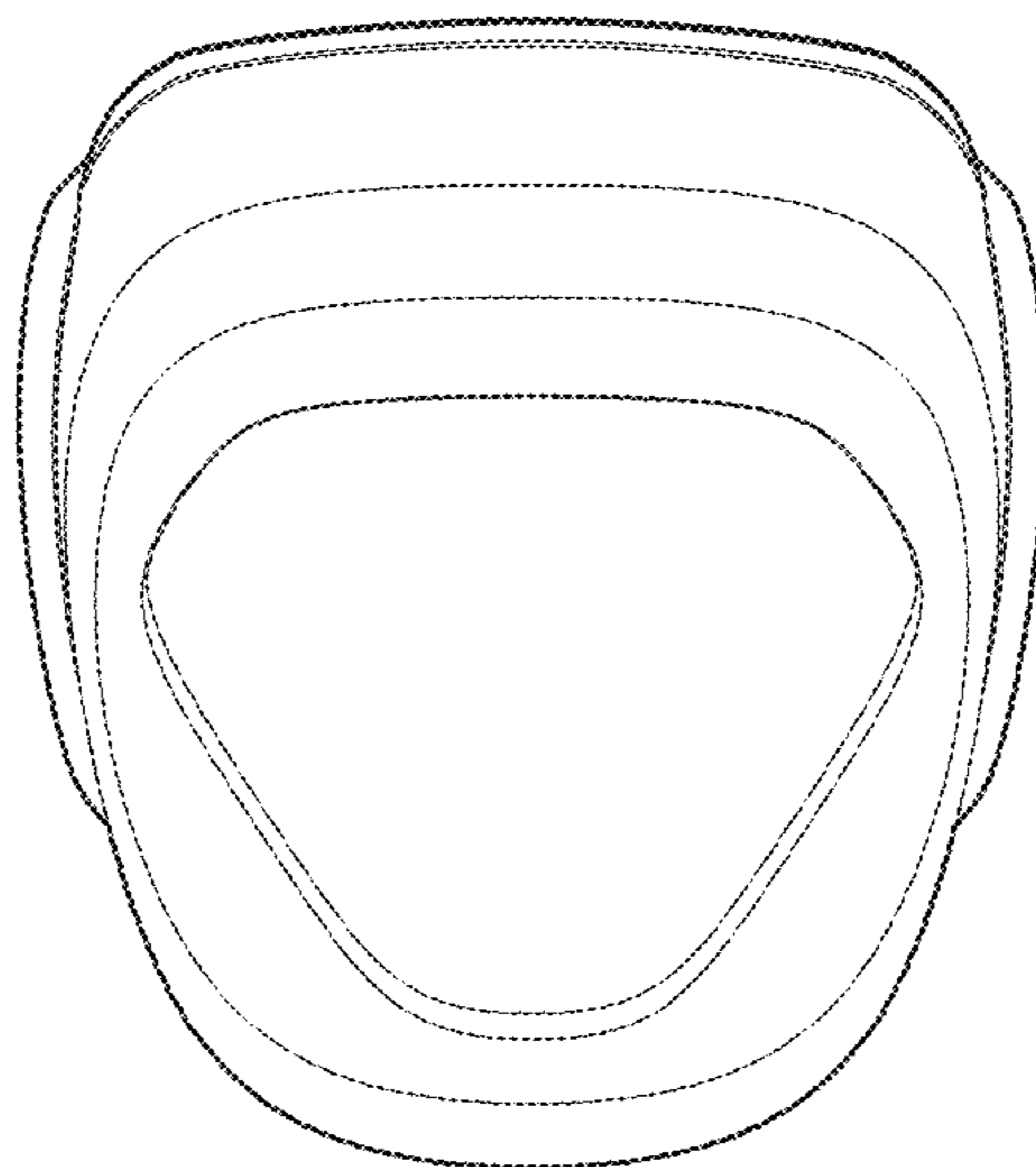


FIG. 27

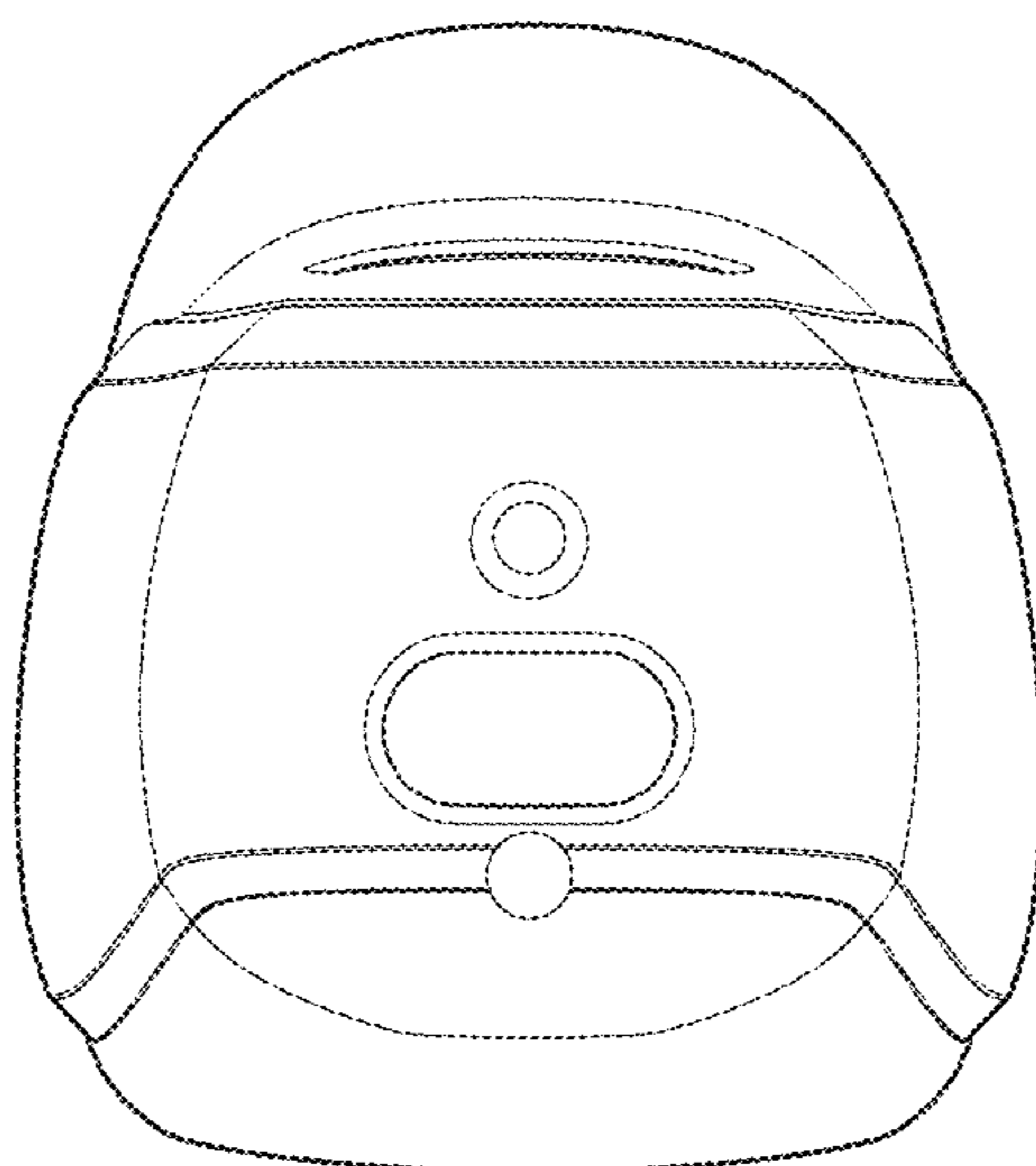


FIG. 28