

US00D934501S

(12) **United States Design Patent** (10) **Patent No.:** **US D934,501 S**
Huang (45) **Date of Patent:** **** Oct. 26, 2021**

(54) **HAIR STRAIGHTENER BRUSH OR COMB**
(71) Applicant: **GUANGDONG HUANENGDA ELECTRONIC APPLIANCES CO., LTD**, Jieyang (CN)
(72) Inventor: **Minxun Huang**, Jieyang (CN)
(73) Assignee: **GUANGDONG HUANENGDA ELECTRONIC APPLIANCES CO., LTD**, Jieyang (CN)

(**) Term: **15 Years**

(21) Appl. No.: **29/769,187**

(22) Filed: **Feb. 4, 2021**

(51) **LOC (13) Cl.** **28-03**

(52) **U.S. Cl.**
USPC **D28/35; D4/100; D4/134**

(58) **Field of Classification Search**
USPC D4/100, 121, 127, 128, 129, 130, 132, D4/133, 134, 135, 136, 137, 138, 199; D28/24, 35; D30/158, 159
CPC A45D 20/48; A45D 20/50; A45D 20/52; A45D 2/001; A45D 2/002; A46B 9/023; A46B 15/0059; A46B 2200/104; A46B 2200/1093; A46B 2200/10
See application file for complete search history.

(56) **References Cited**

U.S. PATENT DOCUMENTS

D609,857 S * 2/2010 Schmitz D28/35
8,267,098 B2 * 9/2012 Glucksman A45D 20/48
132/136
D765,911 S * 9/2016 Hollinger D28/35
D771,310 S * 11/2016 He D28/35
D784,612 S 4/2017 Antons
D815,837 S 4/2018 Zhou
D858,875 S 9/2019 Liu

D901,899 S * 11/2020 Zhanye D4/102
D904,032 S * 12/2020 Zeng D4/100
D912,987 S * 3/2021 Chandra D4/100
D922,773 S * 6/2021 Zhou D4/100
2015/0122286 A1 * 5/2015 Valle A45D 1/28
132/229
2016/0360847 A1 * 12/2016 He A45D 2/002

FOREIGN PATENT DOCUMENTS

CN 302353184 * 3/2013
CN 303405680 * 10/2015
CN 303650262 * 4/2016
CN 303865135 * 9/2016
CN 305583430 * 1/2020
CN 305915884 * 7/2020
EM 002883389-0001 * 12/2015
KR 300874065.0000 * 9/2016

* cited by examiner

Primary Examiner — Karen E Eldridge Powers

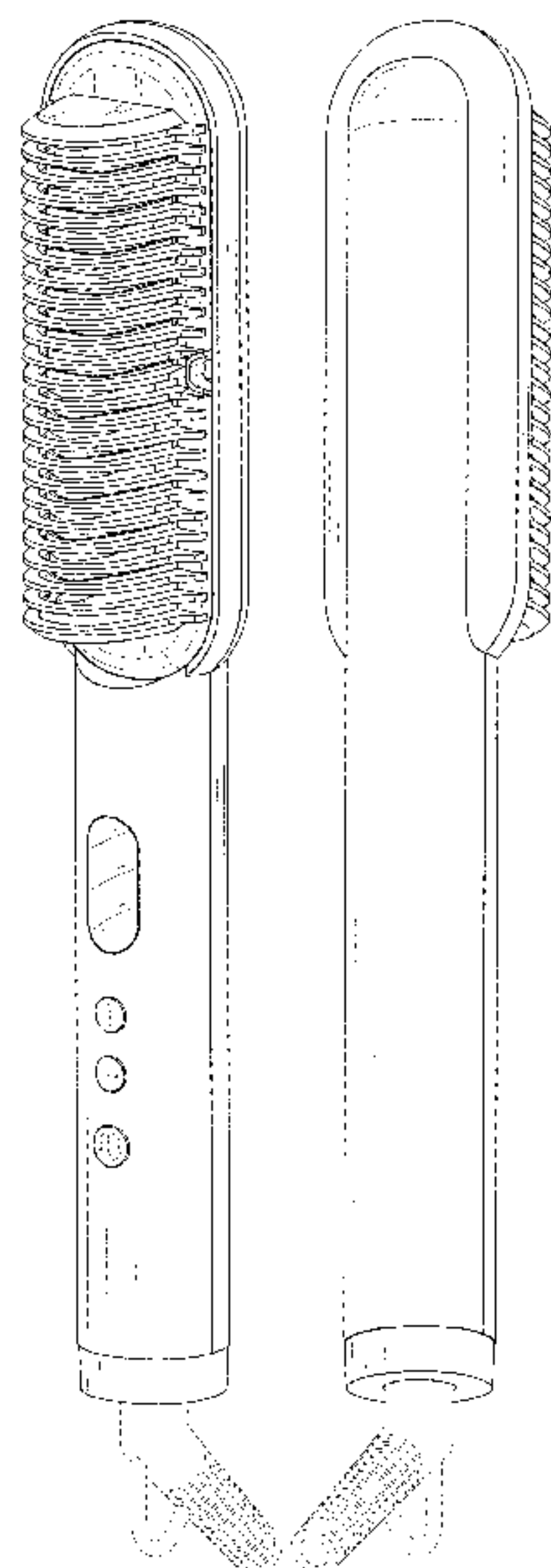
(57) **CLAIM**

The ornamental design for a hair straightener brush or comb, as shown and described.

DESCRIPTION

FIG. 1 is a top, front and right side perspective view of a hair straightener brush or comb showing my new design;
FIG. 2 is a bottom, rear and left side perspective view thereof;
FIG. 3 is a front elevational view thereof;
FIG. 4 is a rear elevational view thereof;
FIG. 5 is a left side elevational view thereof;
FIG. 6 is a right side elevational view thereof;
FIG. 7 is a top plan view thereof; and,
FIG. 8 is a bottom plan view thereof.
The broken lines in the drawings depict portions of the hair straightener brush or comb that form no part of the claimed design.

1 Claim, 8 Drawing Sheets



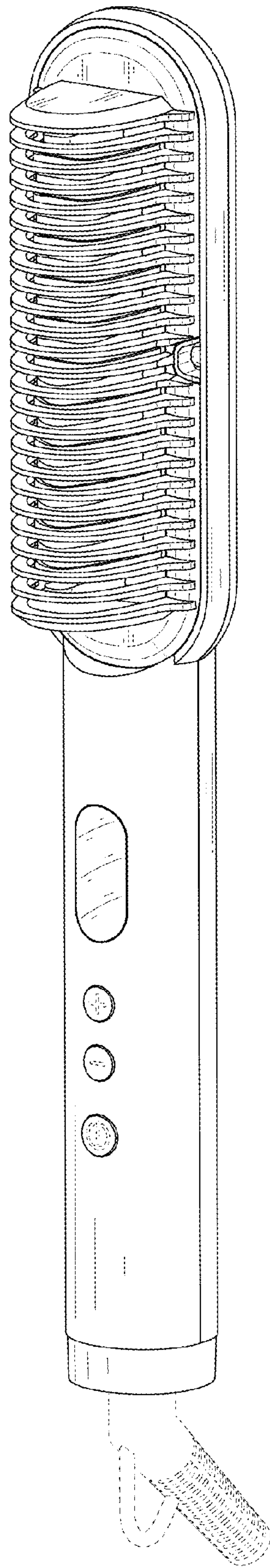


FIG. 1

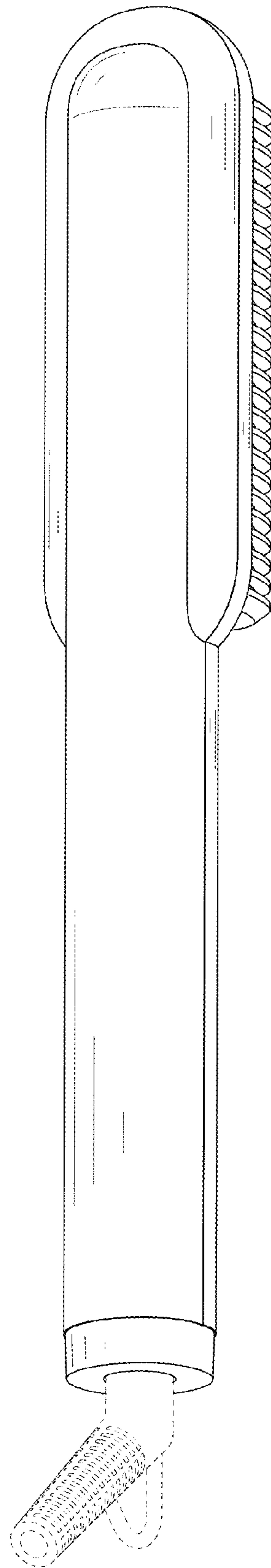


FIG. 2

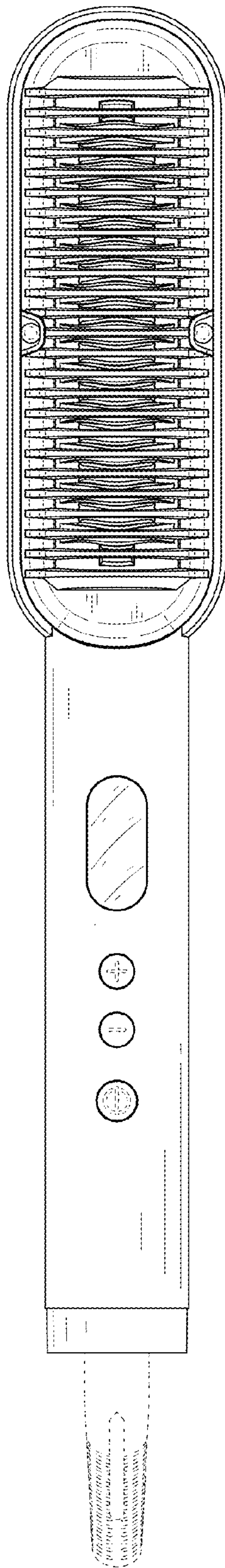


FIG. 3

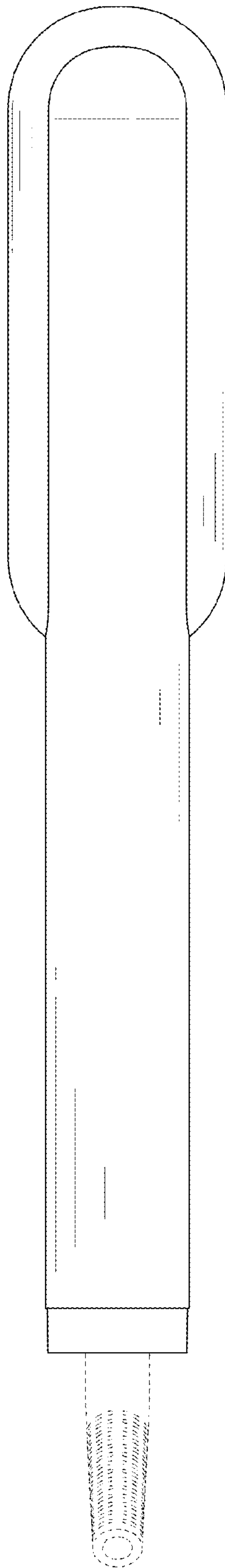


FIG. 4

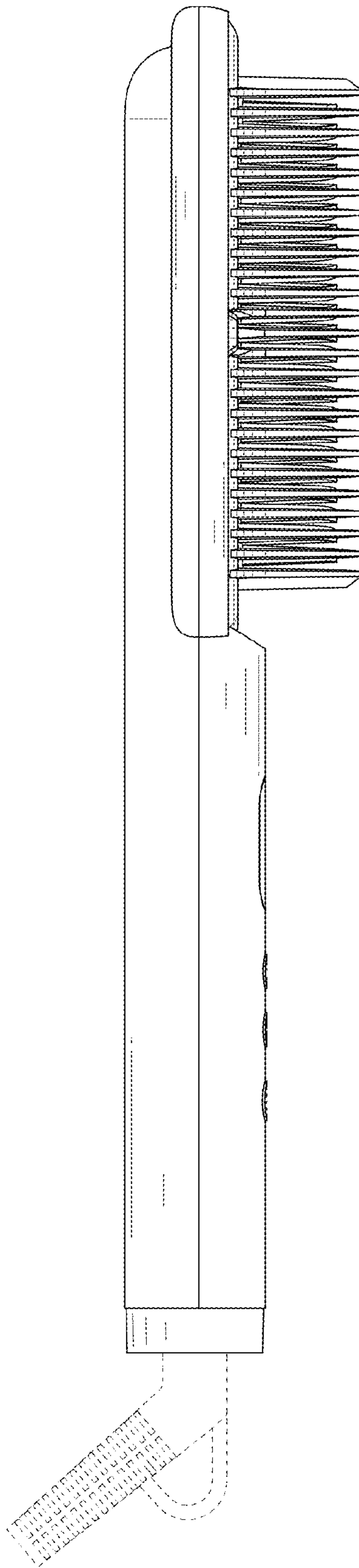


FIG. 5

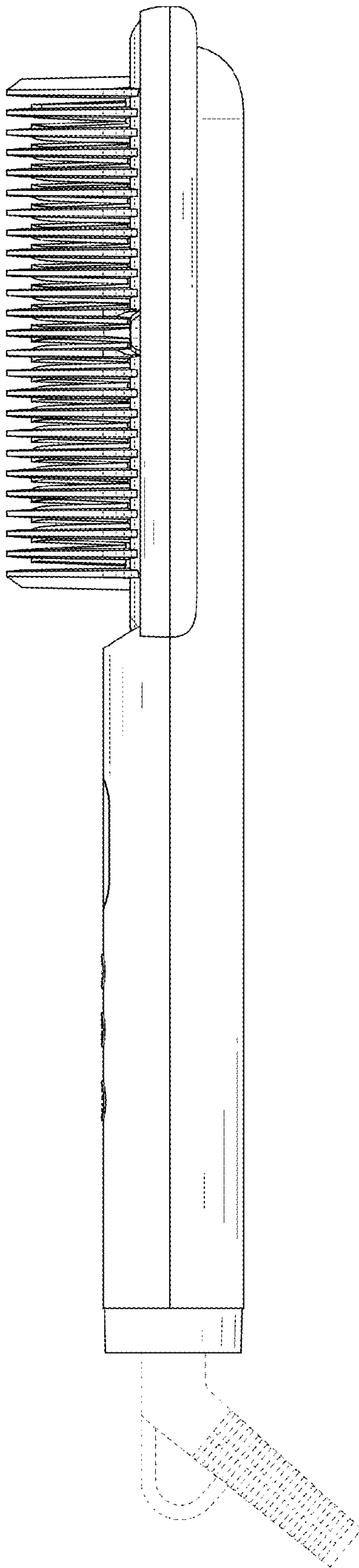


FIG. 6

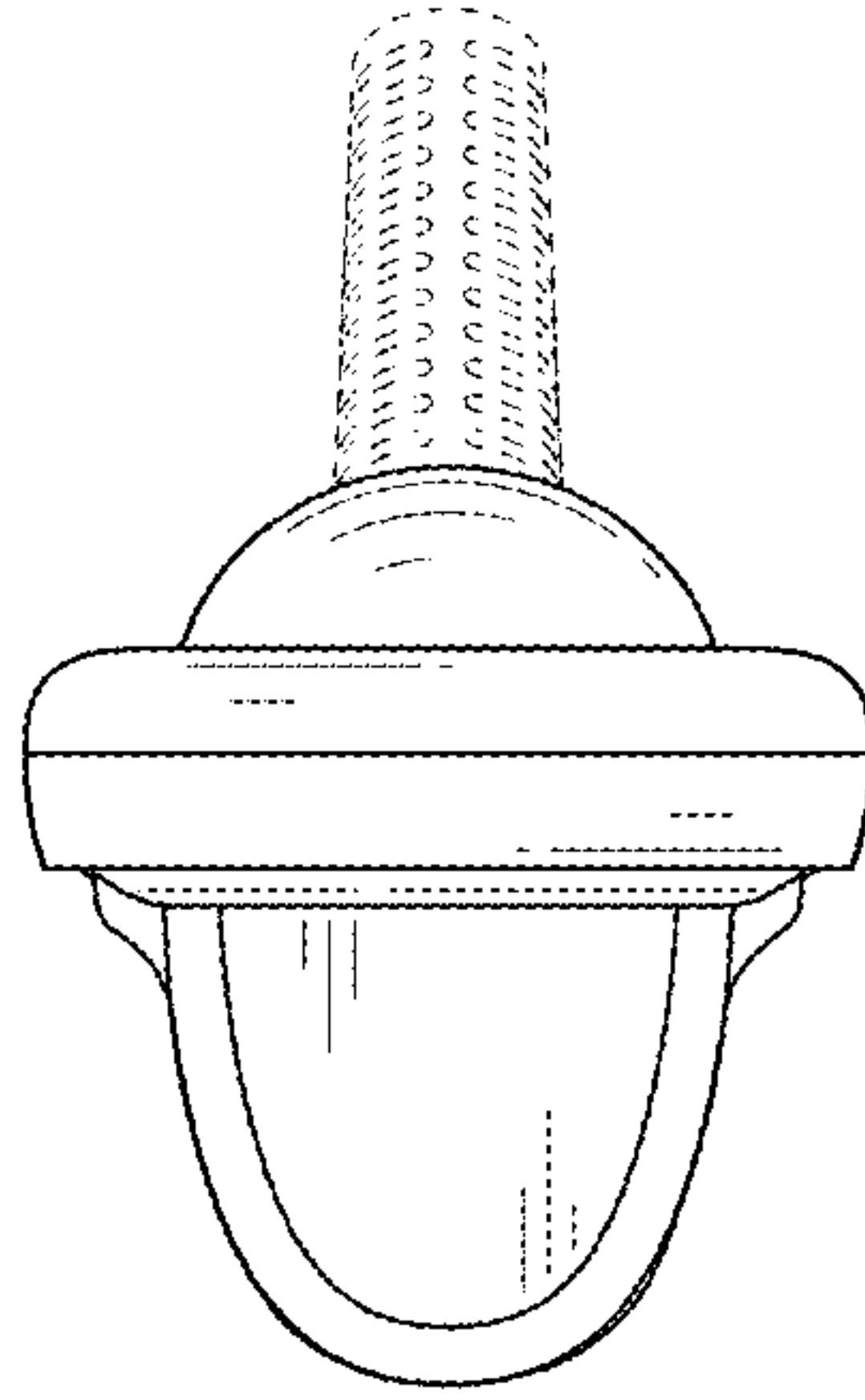


FIG. 7

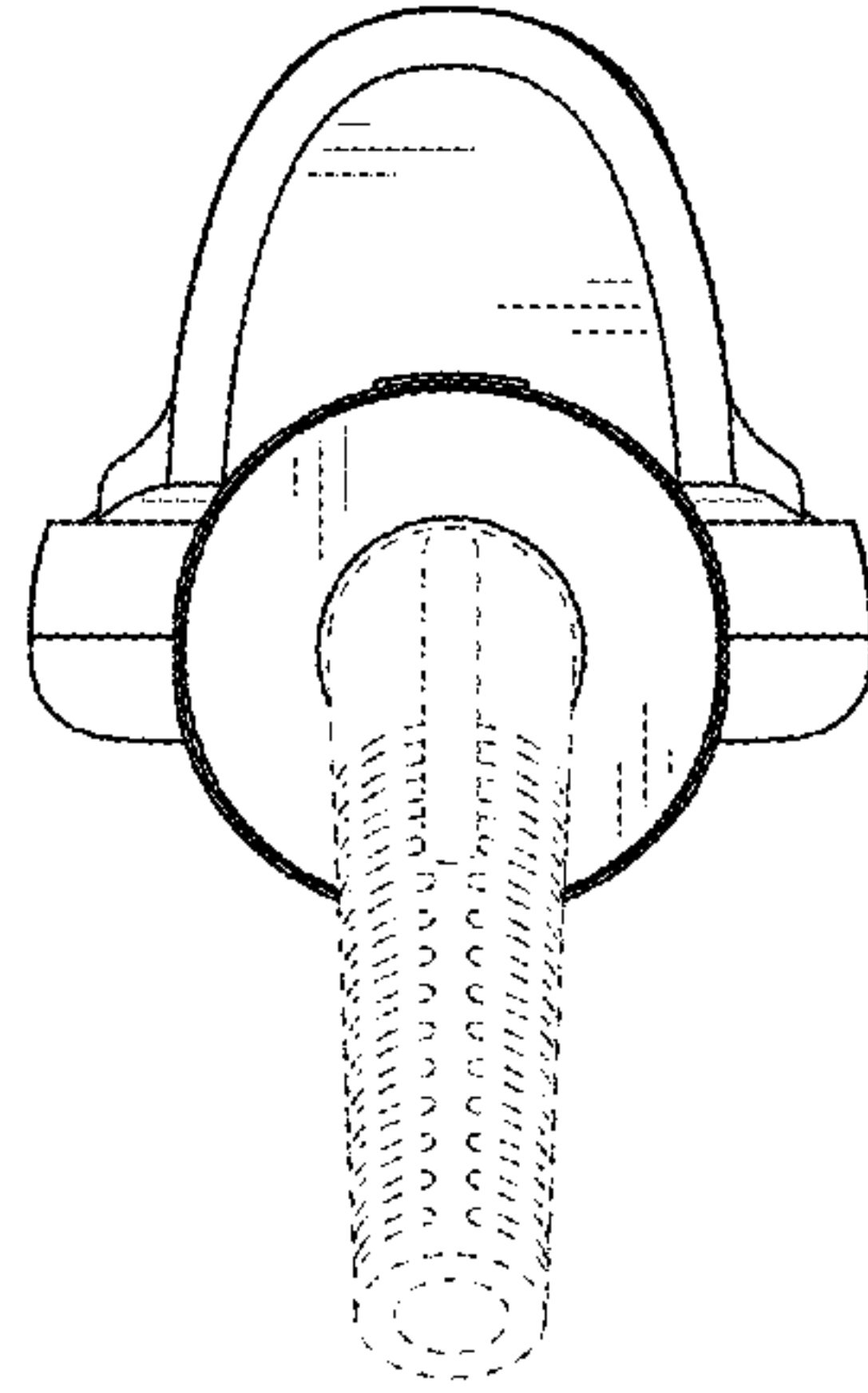


FIG. 8