



US00D934499S

(12) **United States Design Patent** (10) **Patent No.:** **US D934,499 S**
Xie (45) **Date of Patent:** **** Oct. 26, 2021**

(54) **POWER STRAIGHTENER BRUSH**
(71) Applicant: **Shenzhen Delong Electronic Co., Ltd,**
Shenzhen (CN)
(72) Inventor: **Junwei Xie,** Puning (CN)
(**) Term: **15 Years**
(21) Appl. No.: **29/756,205**
(22) Filed: **Oct. 27, 2020**
(51) **LOC (13) Cl.** **28-03**
(52) **U.S. Cl.**
USPC **D28/35; D4/100**
(58) **Field of Classification Search**
USPC D4/100, 121, 127, 128, 129, 130, 132,
D4/133, 134, 135, 136, 137, 138, 199;
D28/24, 35; D30/158, 159
CPC A45D 20/48; A45D 20/50; A45D 20/52;
A45D 2/001; A45D 2/002; A46B 9/023;
A46B 15/0059; A46B 2200/104; A46B
2200/1093; A46B 2200/10
See application file for complete search history.

D895,294 S 9/2020 Xie
D899,782 S * 10/2020 Yang D4/100
D904,032 S * 12/2020 Zeng D4/100
D906,678 S * 1/2021 Ge D4/100
11,103,055 B2 * 8/2021 Richmond et al. A45D 2/002
2016/0262518 A1 * 9/2016 Guy-Rabi A45D 7/00

FOREIGN PATENT DOCUMENTS

CN 305614068 * 2/2020
CN 305747711 * 4/2020
GB 9008186837-0001 * 9/2020

* cited by examiner

Primary Examiner — Karen E Eldridge Powers
(74) *Attorney, Agent, or Firm* — Rumit Ranjit Kanakia

(57) **CLAIM**

I claim the ornamental design for a power straightener brush,
as shown and described.

DESCRIPTION

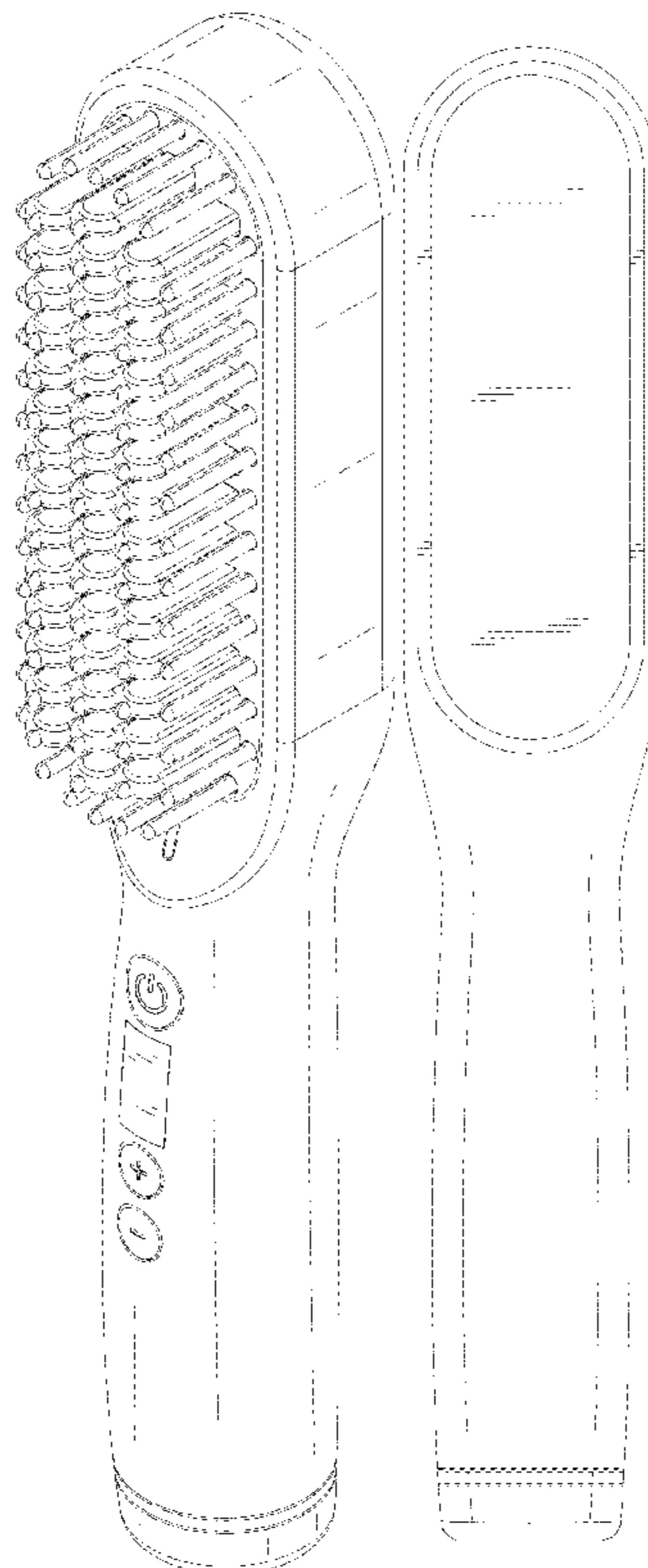
FIG. 1 is a top, front end right-side perspective view of a
power straightener brush showing my new design;
FIG. 2 is a front elevation view thereof;
FIG. 3 is a rear elevation view thereof;
FIG. 4 is a right-side elevation view thereof;
FIG. 5 is a left-side elevation view thereof;
FIG. 6 is a top plan view thereof; and,
FIG. 7 is a bottom plan view thereof.
The broken lines are for the purpose of illustrating portions
of the article that form no part of the claim.

1 Claim, 6 Drawing Sheets

(56) **References Cited**

U.S. PATENT DOCUMENTS

D817,007 S 5/2018 Guy-Rabi et al.
D821,649 S 6/2018 Qin
10,398,218 B2 * 9/2019 Exley A46D 1/0246
D885,765 S 6/2020 Yuan
D889,129 S 7/2020 Janowick et al.



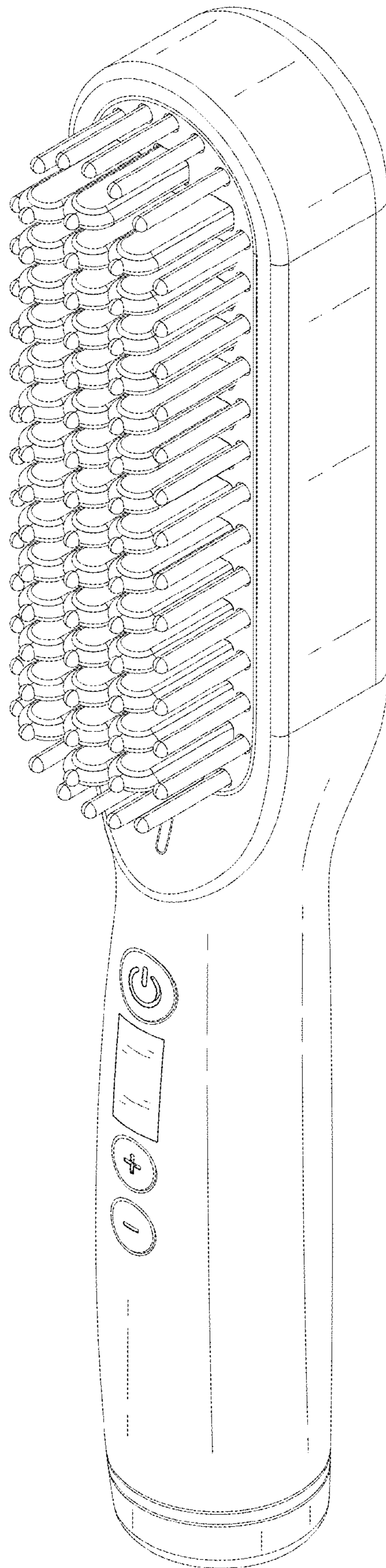


FIG. 1

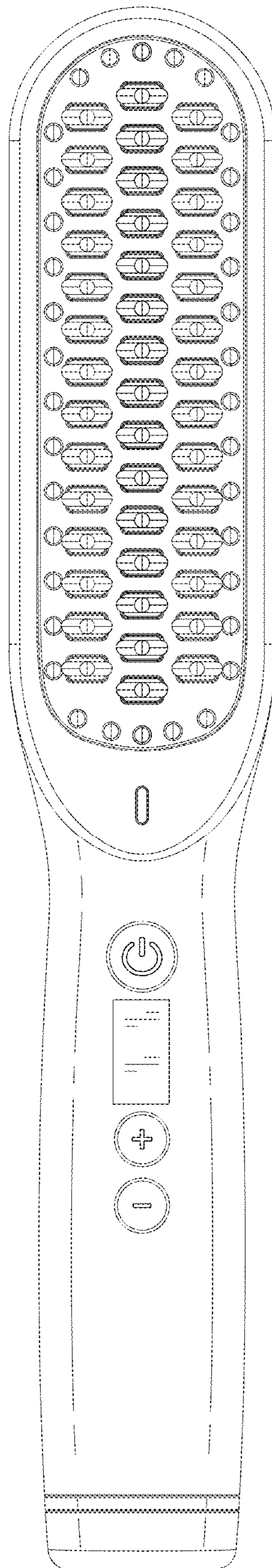


FIG. 2

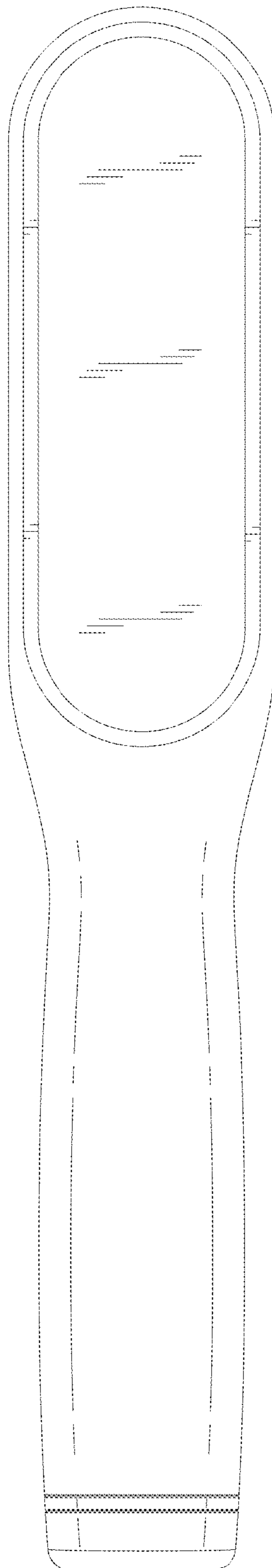


FIG. 3

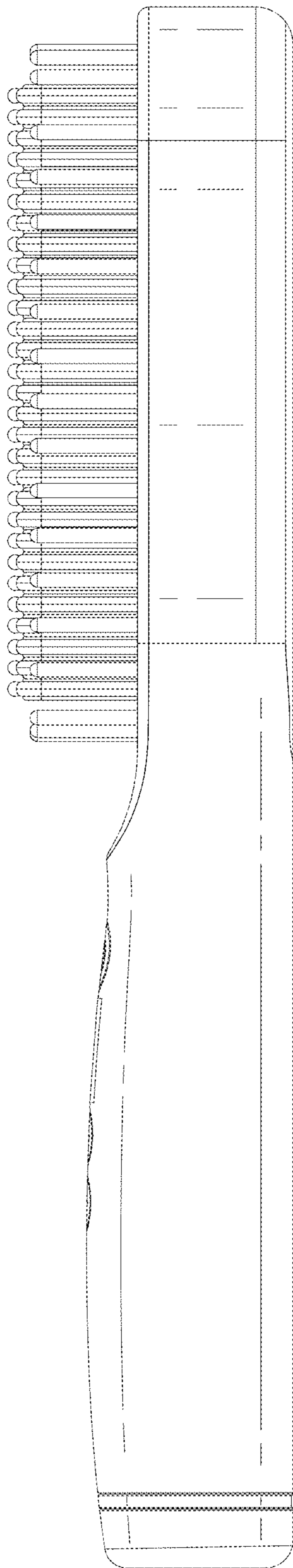


FIG. 4

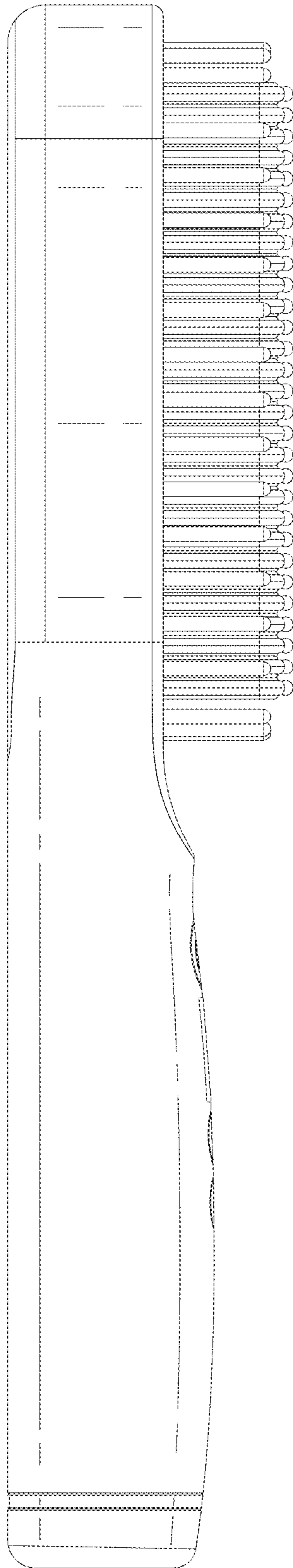


FIG. 5

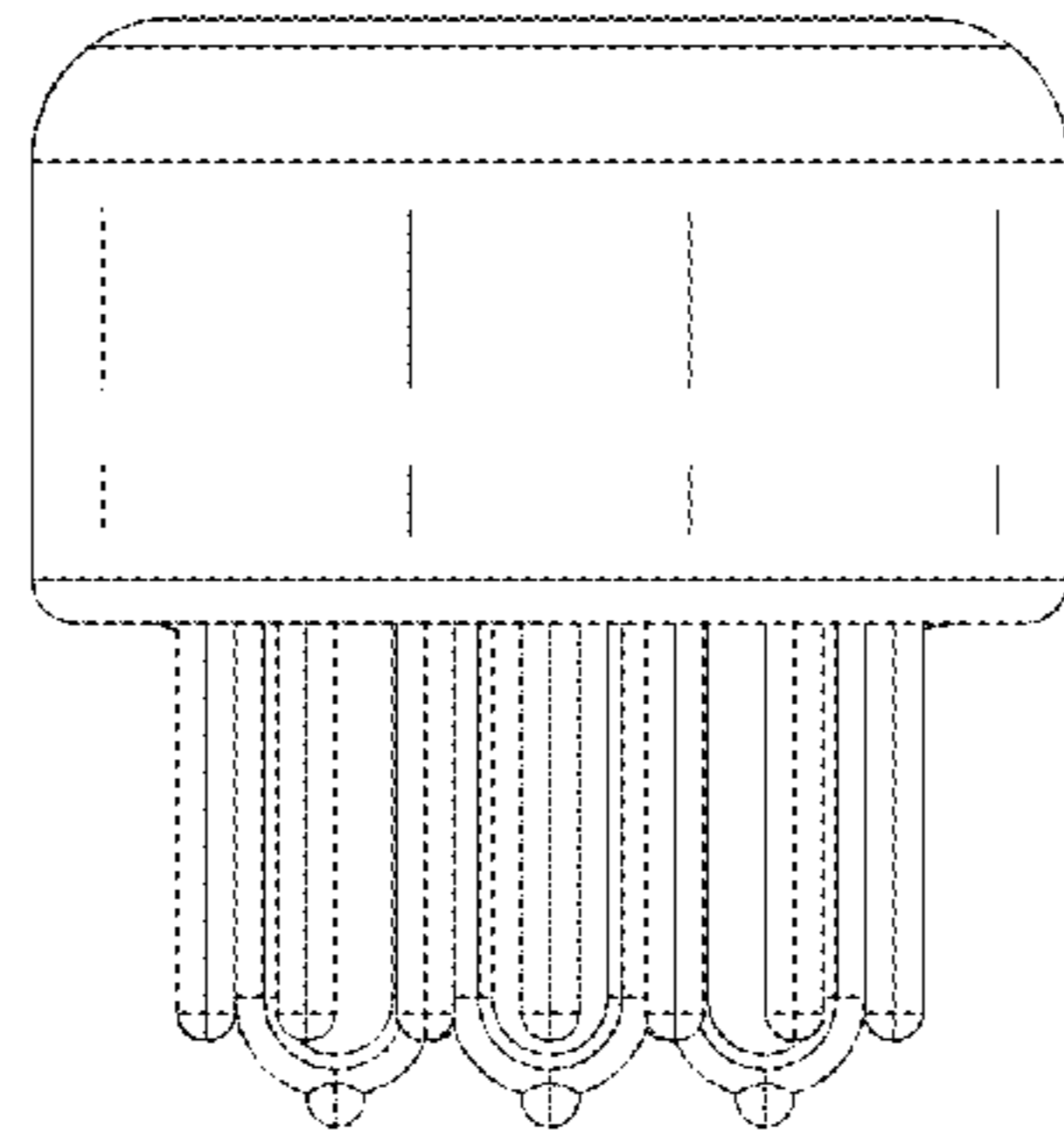


FIG. 6

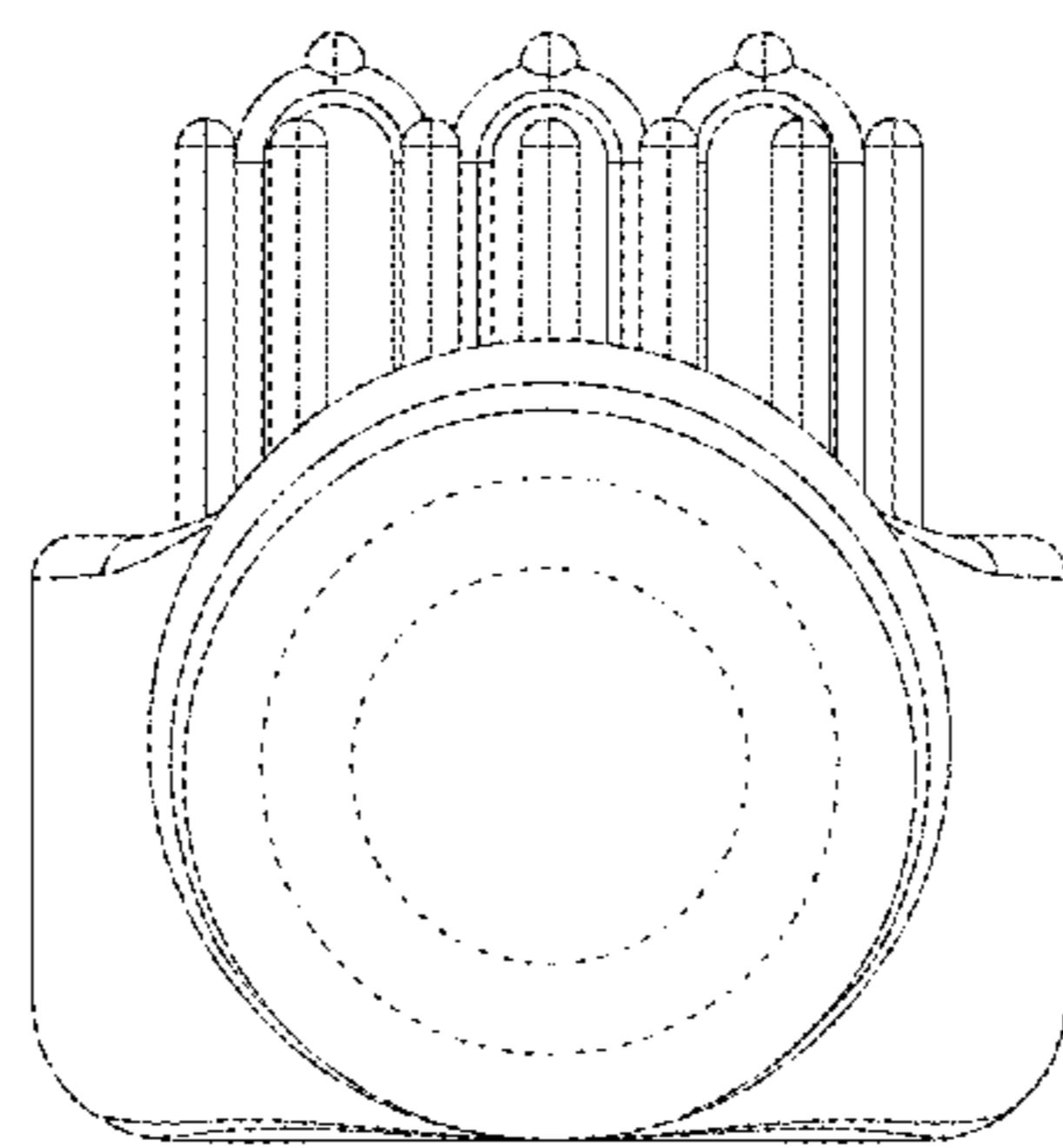


FIG. 7