



US00D934496S

(12) **United States Design Patent**  
**Huang**

(10) **Patent No.:** **US D934,496 S**

(45) **Date of Patent:** **\*\* Oct. 26, 2021**

(54) **HAIR DRYER**

(71) Applicant: **GUANGDONG HUANENGDA ELECTRONIC APPLIANCES CO., LTD**, Jieyang (CN)

(72) Inventor: **Minxun Huang**, Jieyang (CN)

(73) Assignee: **GUANGDONG HUANENGDA ELECTRONIC APPLIANCES CO., LTD**, Jieyang (CN)

(\*\*) Term: **15 Years**

(21) Appl. No.: **29/769,189**

(22) Filed: **Feb. 4, 2021**

(51) **LOC (13) Cl.** ..... **28-03**

(52) **U.S. Cl.**  
USPC ..... **D28/13**

(58) **Field of Classification Search**  
USPC ..... D28/12-19; D8/29.1  
CPC ..... A45D 20/00; A45D 20/08; A45D 20/10;  
A45D 20/12; A45D 20/122; A45D  
20/124; A45D 2020/128  
See application file for complete search history.

(56) **References Cited**

**U.S. PATENT DOCUMENTS**

D469,574 S	1/2003	Lai	
D715,996 S	* 10/2014	Dyson	A45D 20/12 D28/13
D787,745 S	5/2017	Lamballais	
D791,407 S	* 7/2017	Smith	D28/13
D893,097 S	* 8/2020	Huang	D28/13
D899,686 S	* 10/2020	Lin	D28/13

D903,194 S	* 11/2020	Huang	D28/13
D910,915 S	* 2/2021	Shin	D28/13
D911,604 S	* 2/2021	Chen	D28/13
D915,668 S	* 4/2021	Zhou	D28/13
D919,175 S	* 5/2021	Yu	D28/13
D925,825 S	* 7/2021	Lo	D28/13
D925,826 S	* 7/2021	Grienay	D28/13
D926,370 S	* 7/2021	Sun	D28/13

\* cited by examiner

*Primary Examiner* — Zenia I Bennett

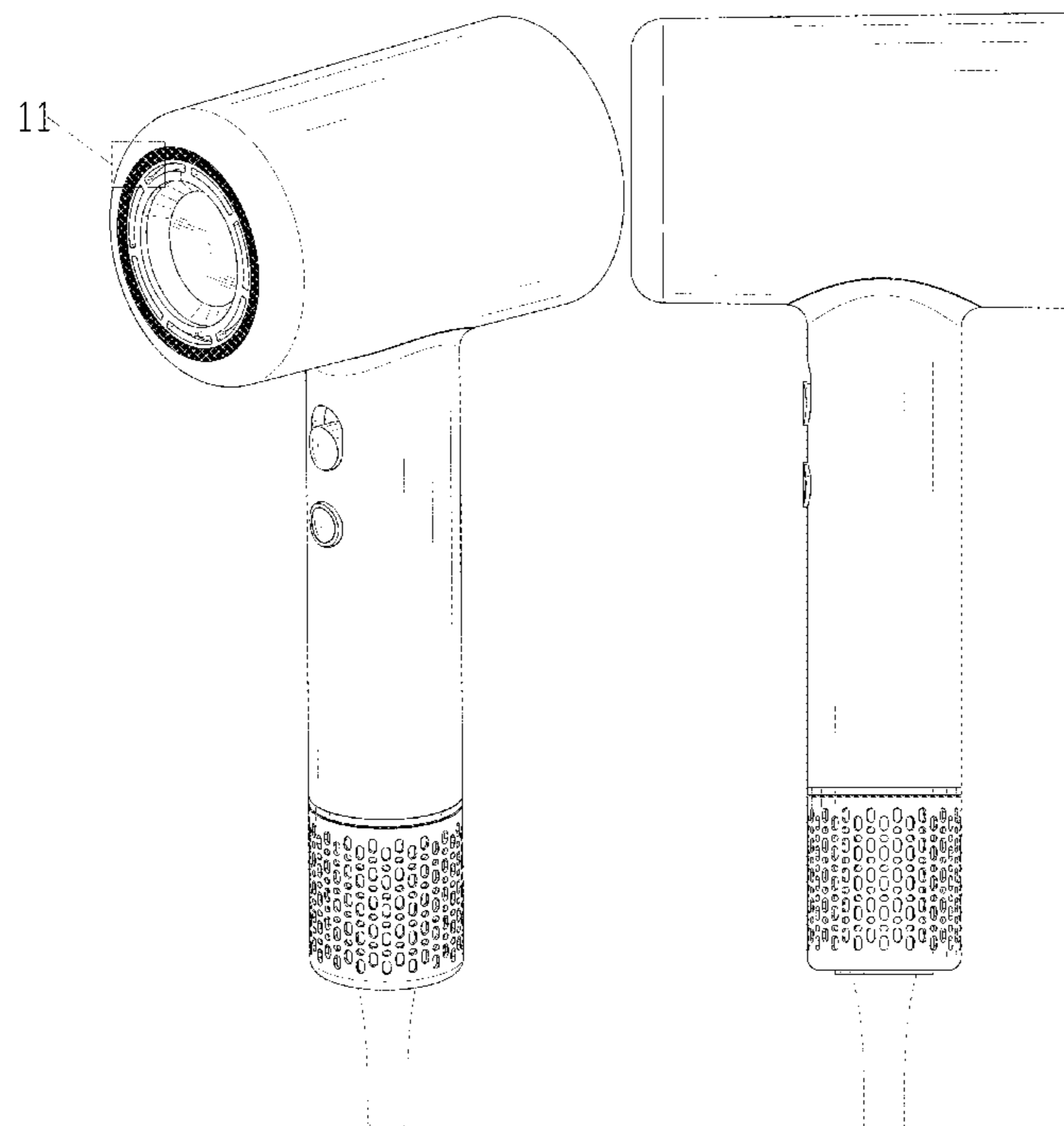
(57) **CLAIM**

The ornamental design for a hair dryer, as shown and described.

**DESCRIPTION**

FIG. 1 is a perspective view of a hair dryer showing my new design;  
 FIG. 2 is another perspective view thereof;  
 FIG. 3 is a front elevational view thereof;  
 FIG. 4 is a rear elevational view thereof;  
 FIG. 5 is a left side elevational view thereof;  
 FIG. 6 is a right side elevational view thereof;  
 FIG. 7 is a top plan view thereof;  
 FIG. 8 is a bottom plan view thereof;  
 FIG. 9 is a perspective view of the hair dryer showing my new design where the hair dryer is in a first configuration of use;  
 FIG. 10 is a perspective view of the hair dryer where the hair dryer is in a second configuration of use;  
 FIG. 11 is an enlarged view of portion 11 shown in FIG. 1; and,  
 FIG. 12 is an enlarged view of portion 12 shown in FIG. 5.  
 The broken lines in the drawings depict portions of the hair dryer that form no part of the claimed design.

**1 Claim, 12 Drawing Sheets**



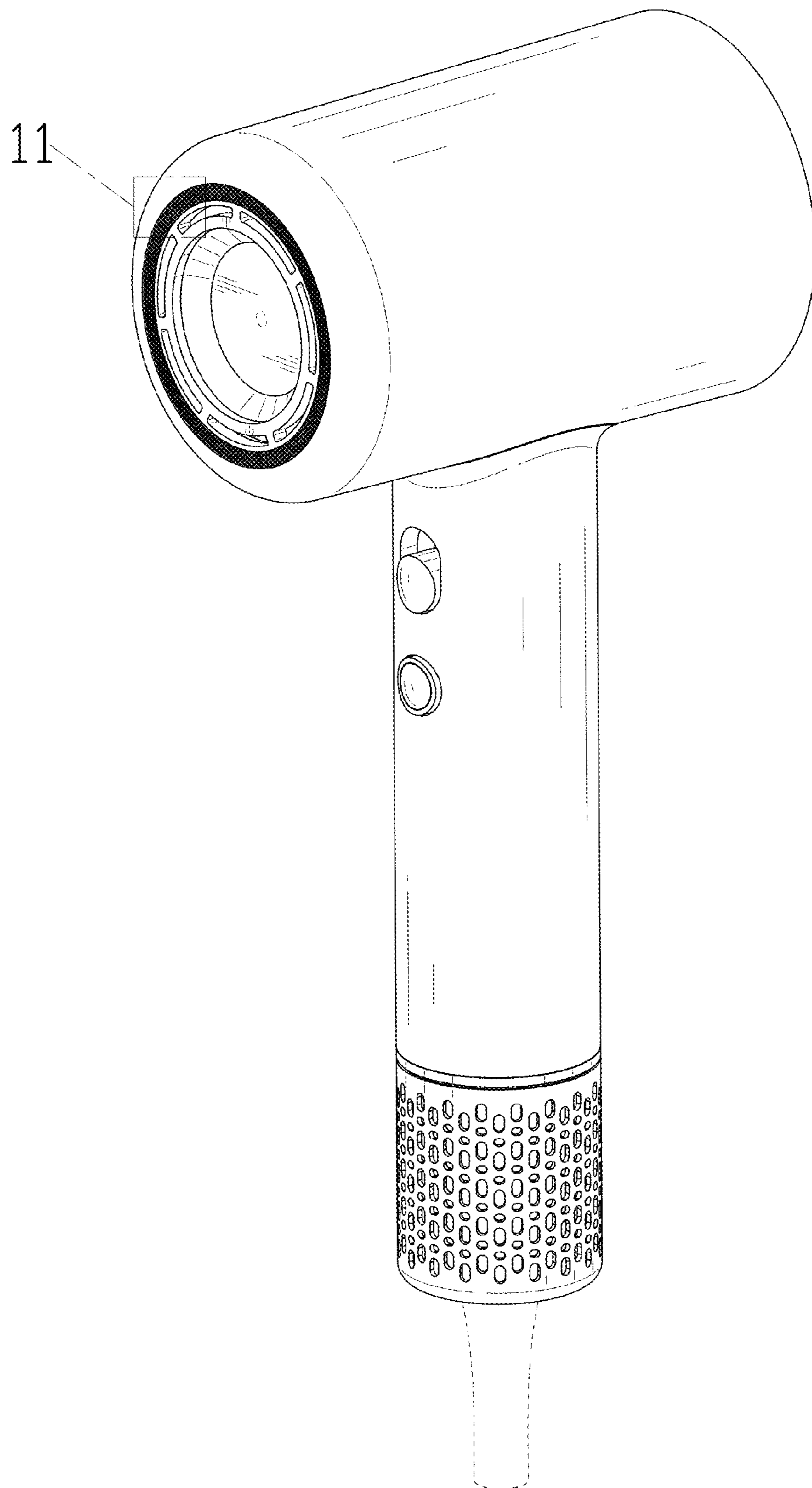


FIG. 1

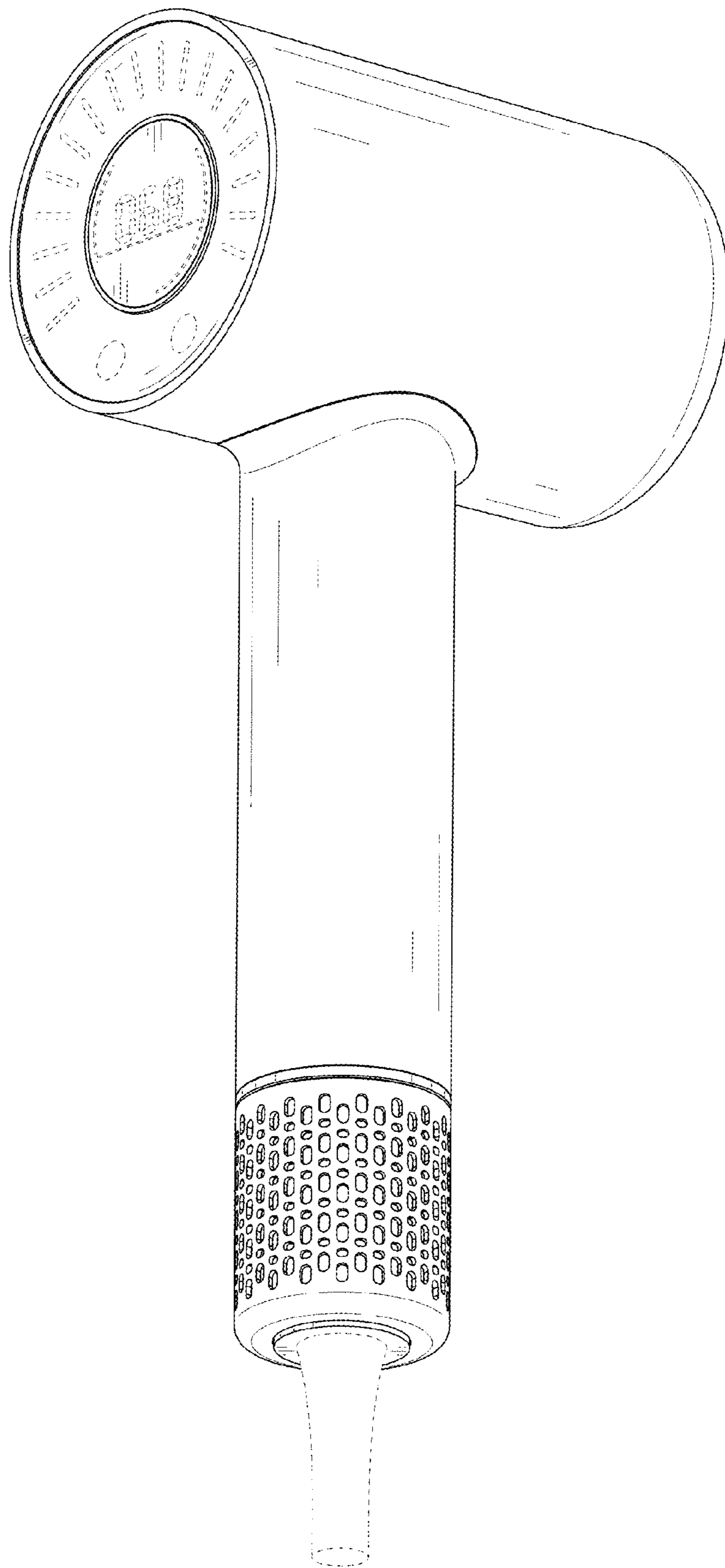


FIG. 2

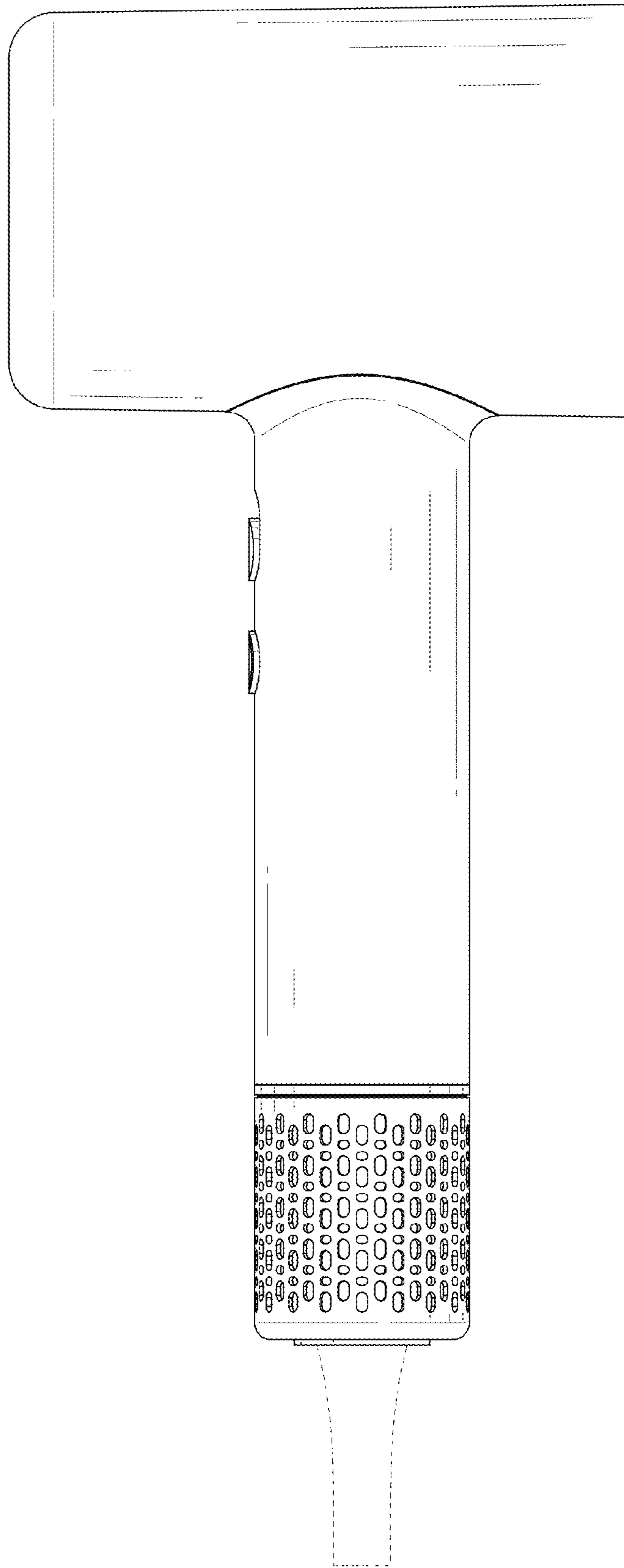


FIG. 3

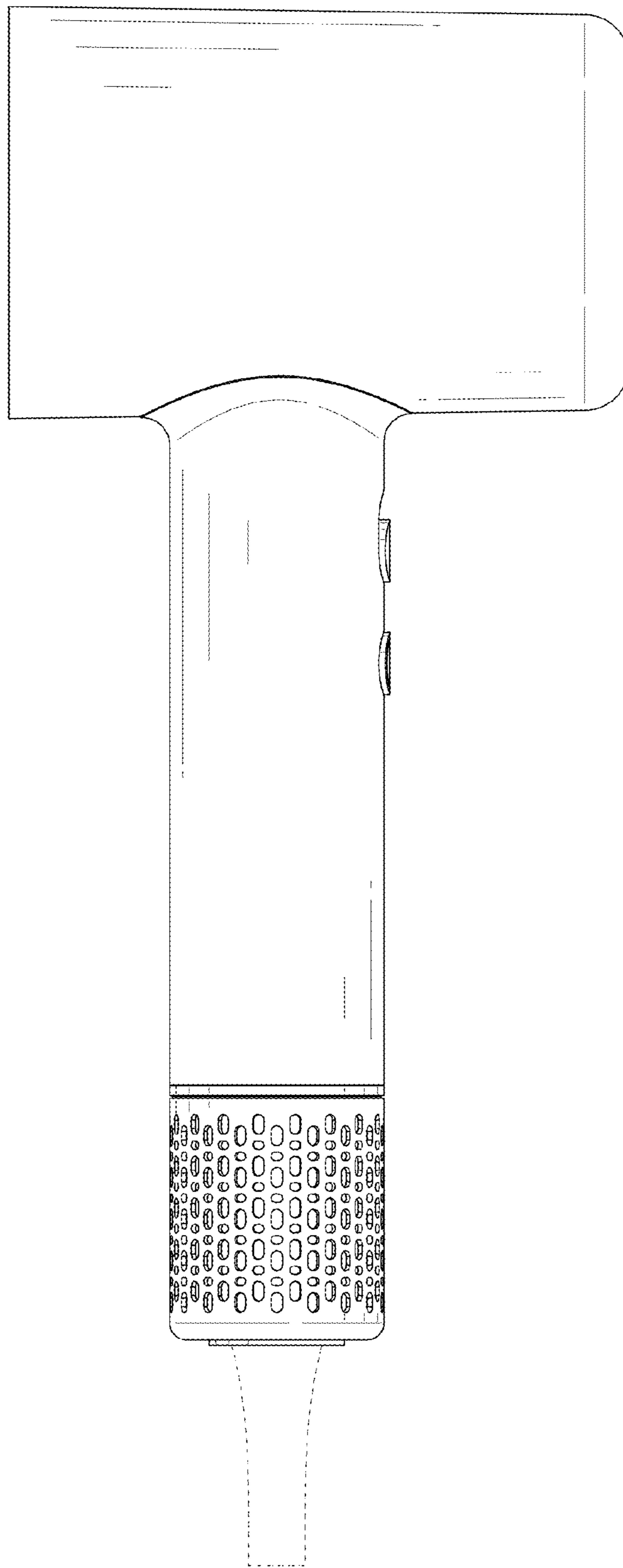


FIG. 4

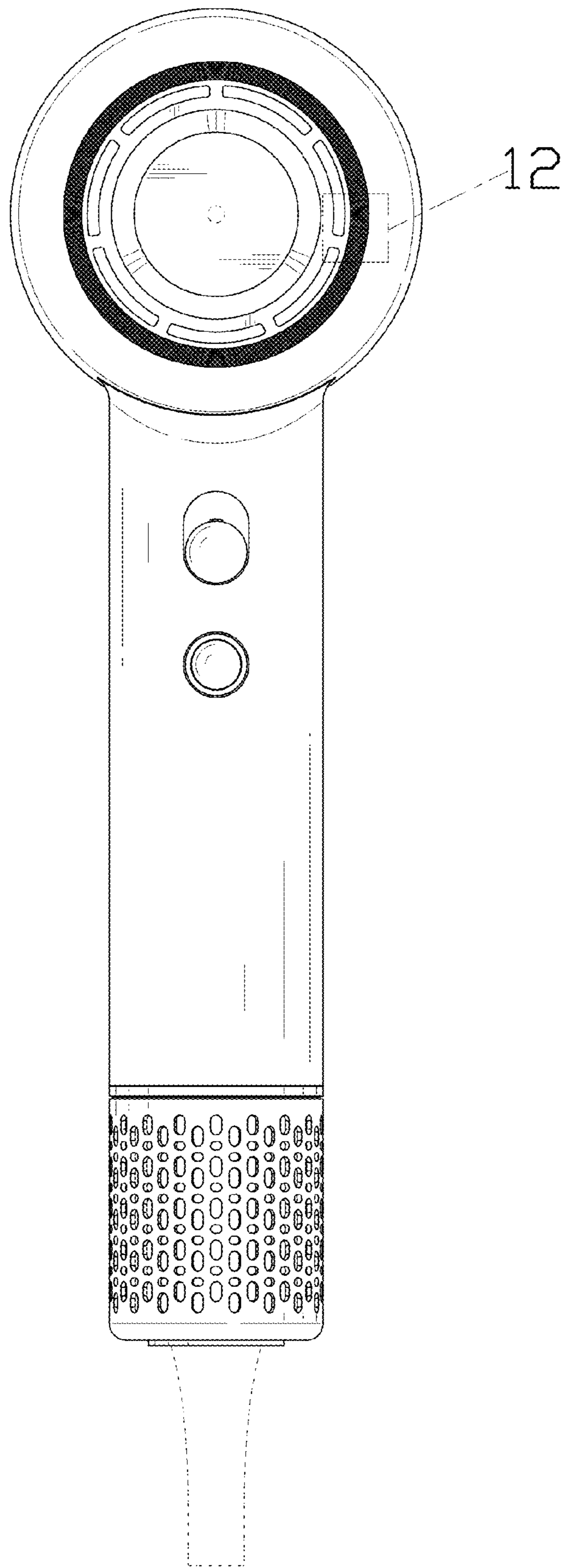


FIG. 5

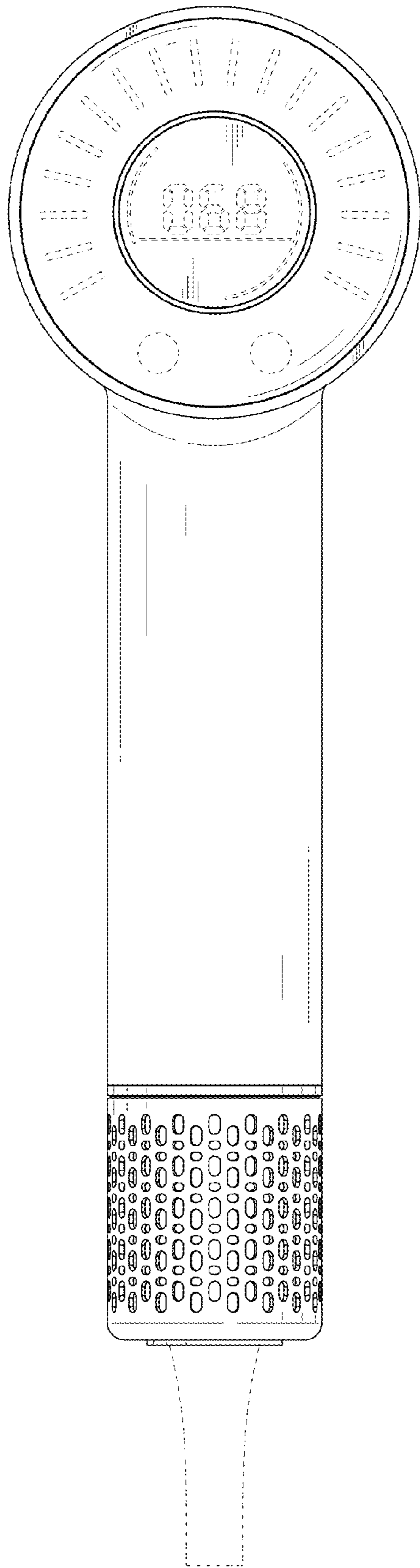


FIG. 6

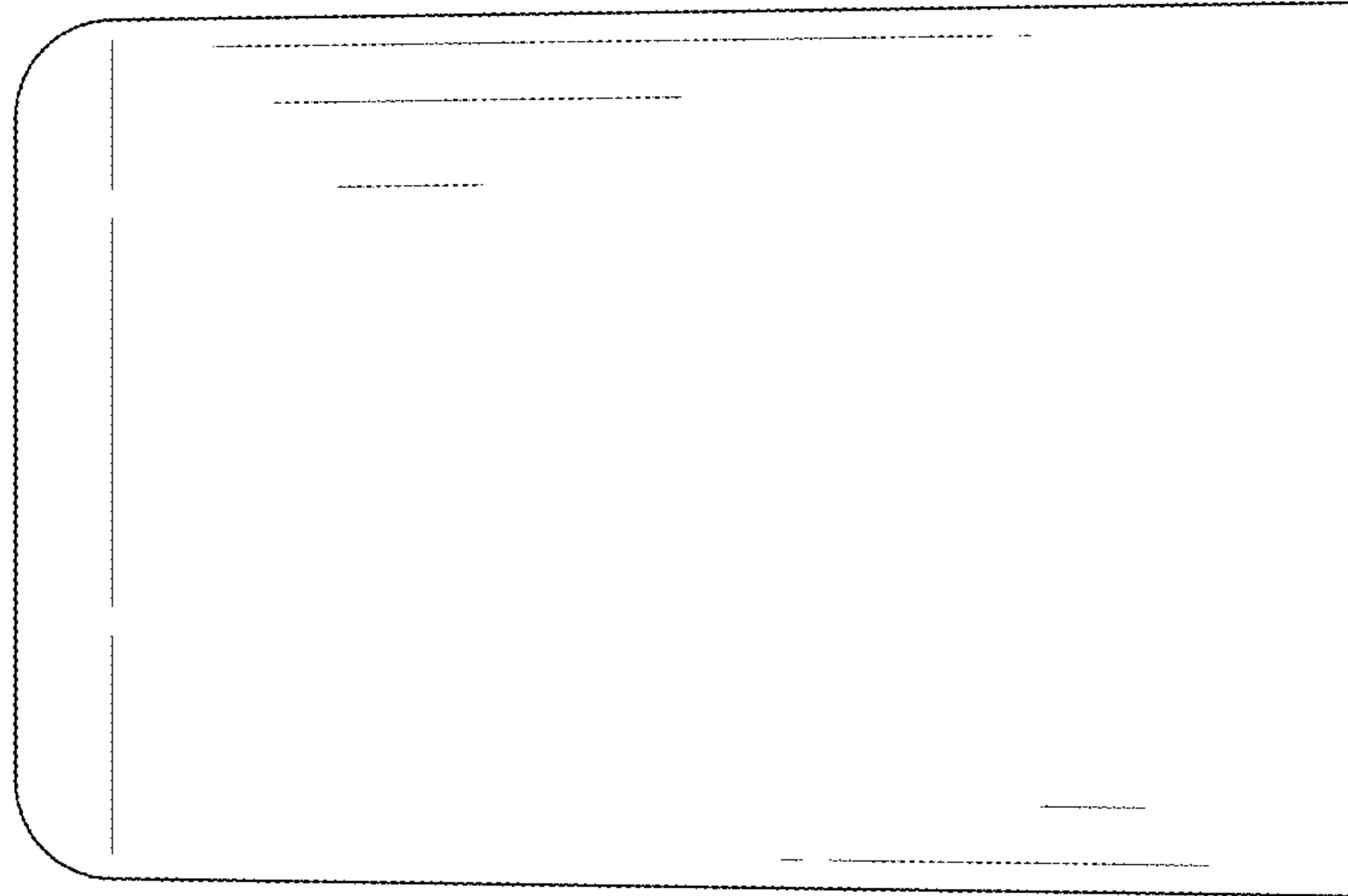


FIG. 7



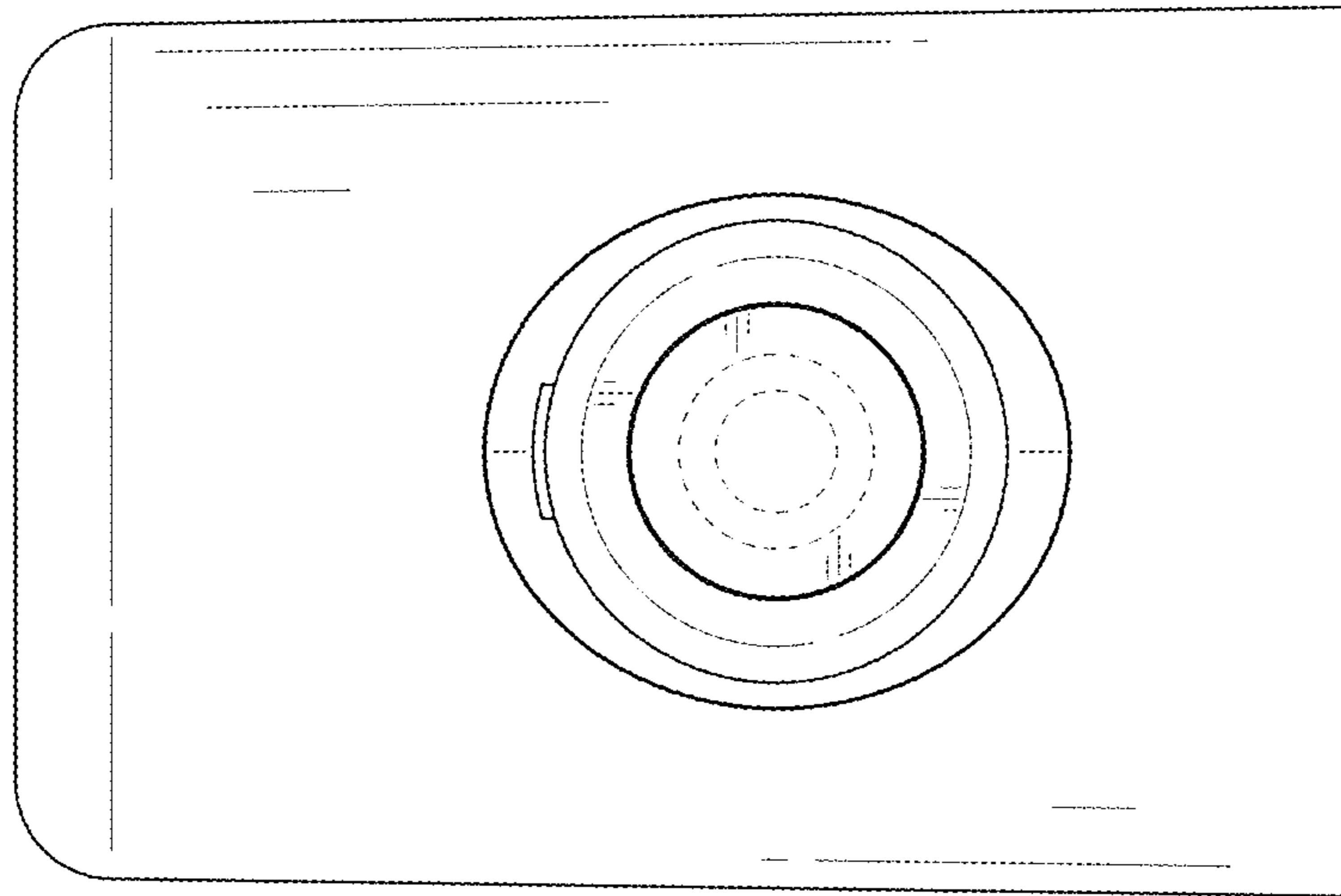


FIG. 8

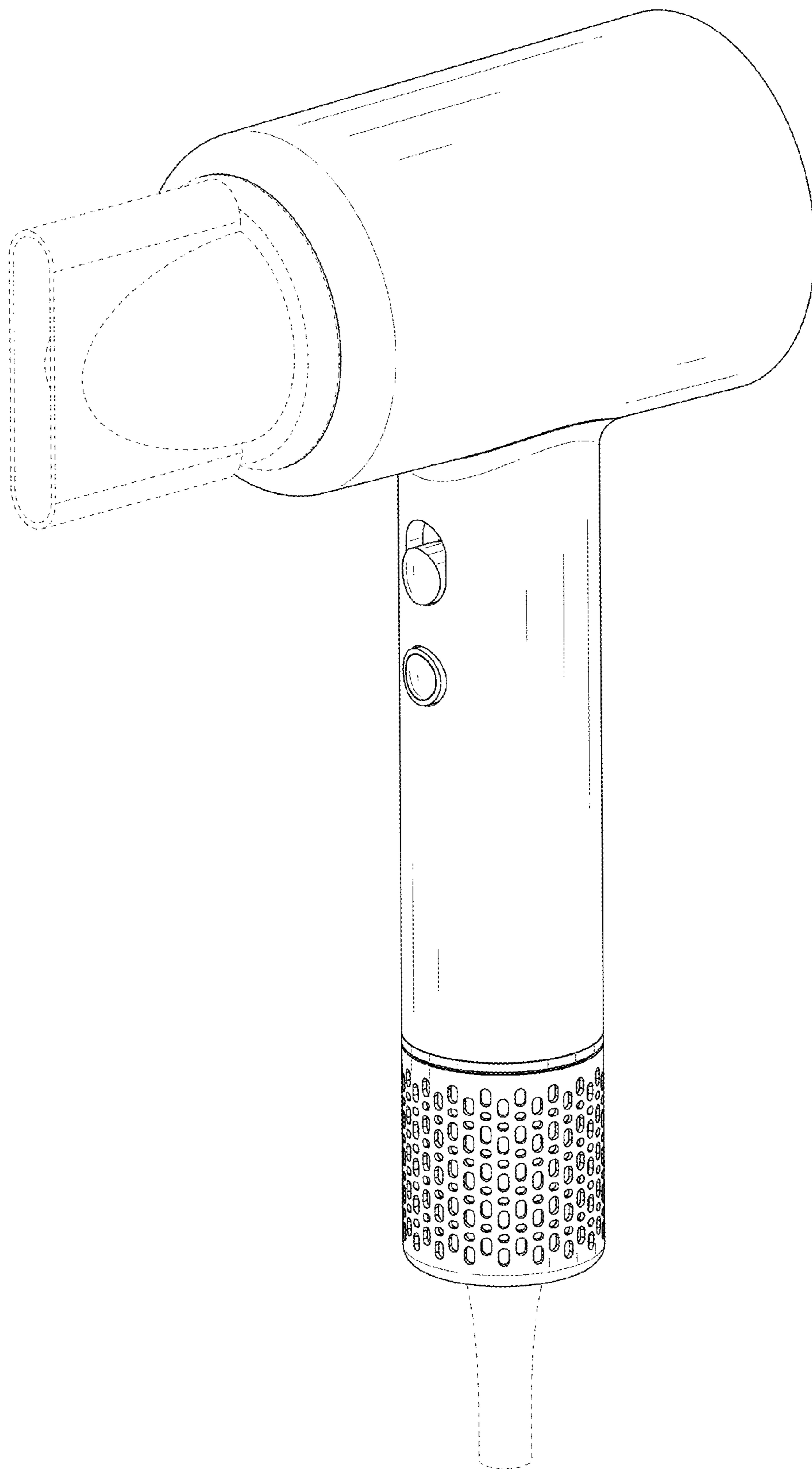


FIG. 9

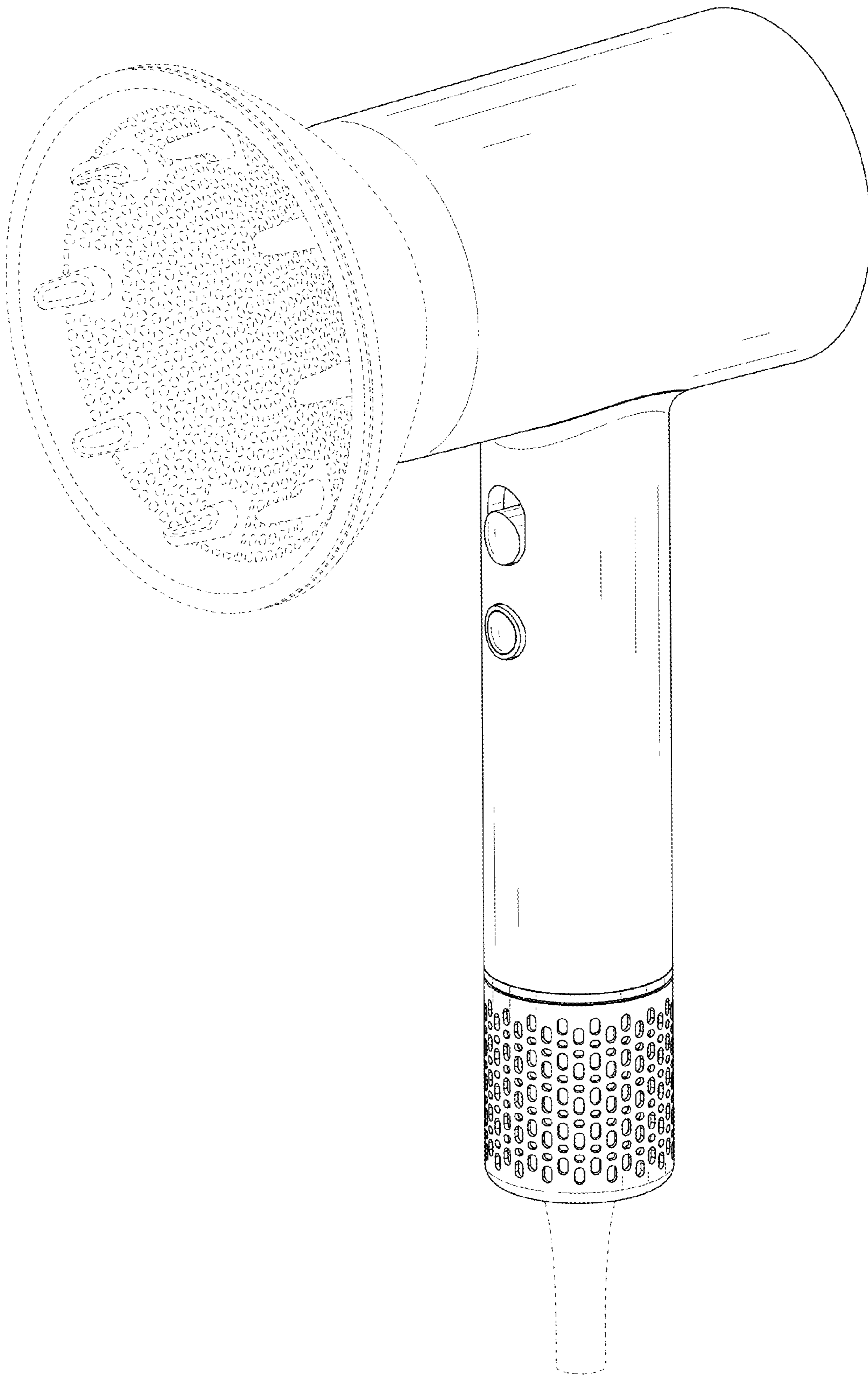


FIG. 10

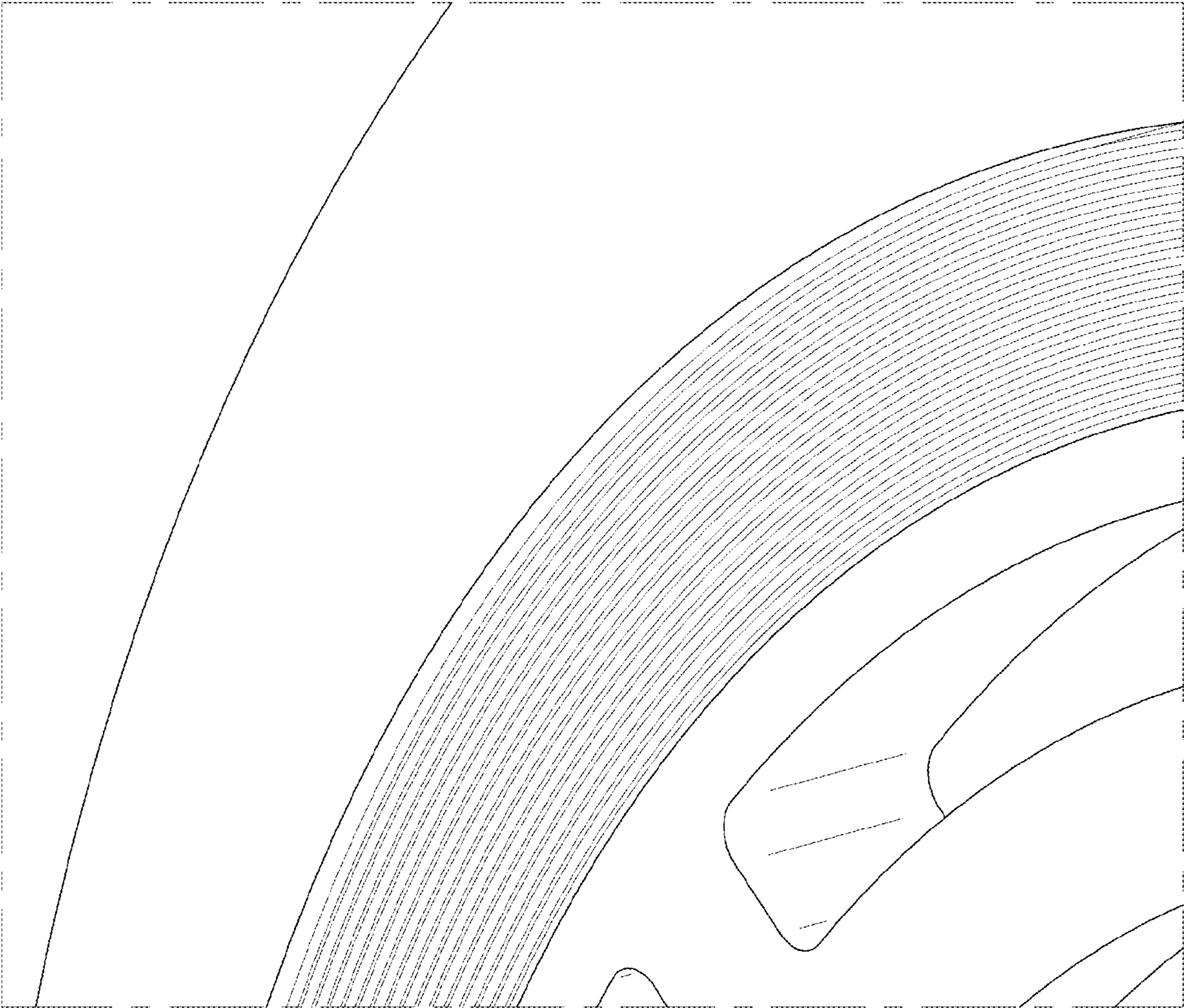


FIG. 11

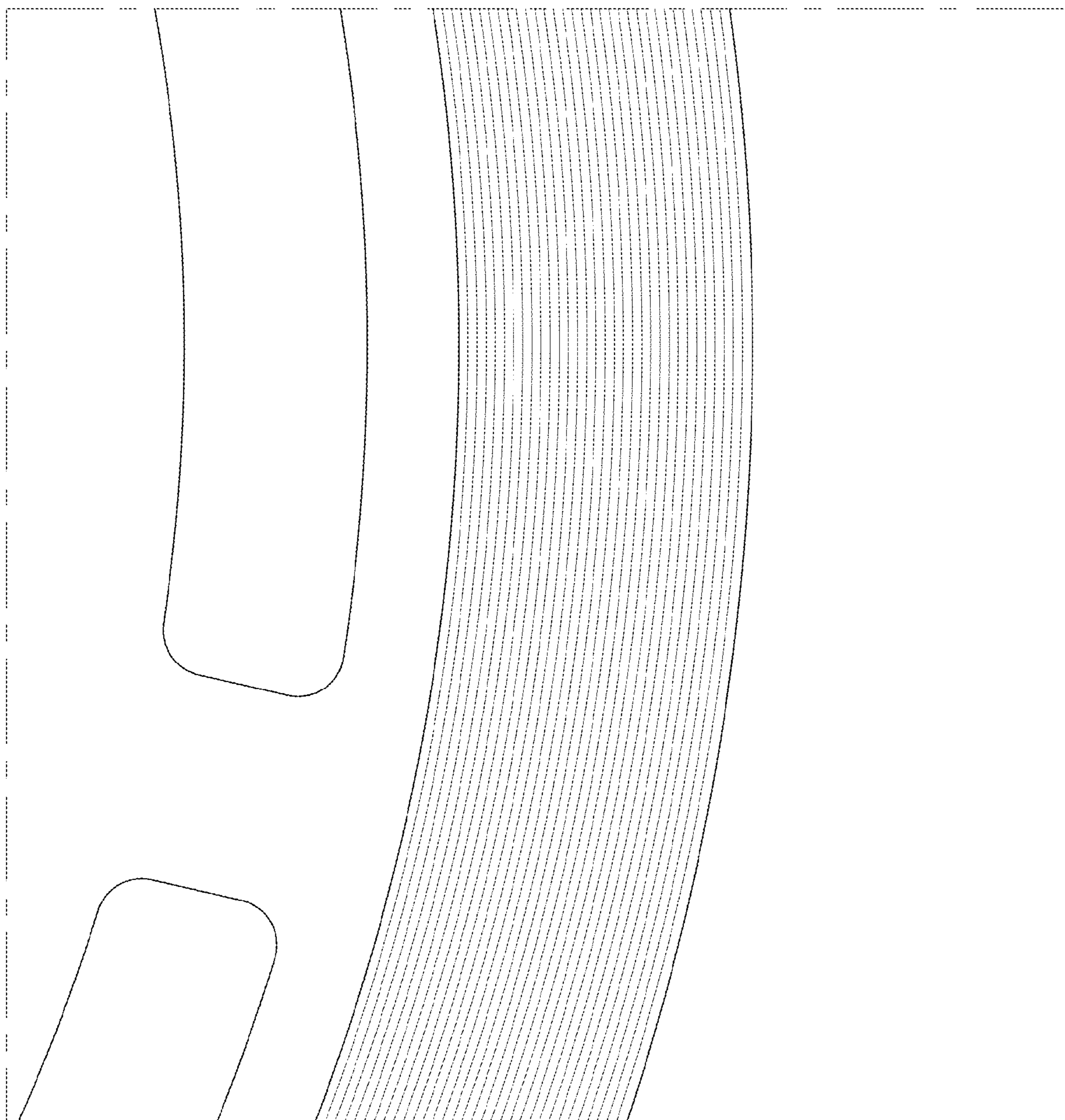


FIG. 12