



US00D934492S

(12) **United States Design Patent** (10) **Patent No.:** **US D934,492 S**
Kennedy Zdanow (45) **Date of Patent:** **** Oct. 26, 2021**

(54) **COSMETIC SET**

(71) Applicant: **Beauty Magnet LLC**, Los Angeles, CA (US)

(72) Inventor: **Elizabeth Kennedy Zdanow**, Los Angeles, CA (US)

(73) Assignee: **Beauty Magnet LLC**, Los Angeles, CA (US)

(**) Term: **15 Years**

(21) Appl. No.: **29/692,058**

(22) Filed: **May 22, 2019**

(51) **LOC (13) Cl.** **28-02**

(52) **U.S. Cl.**
USPC **D28/4**

(58) **Field of Classification Search**
USPC D28/4, 7, 9, 44, 44.1, 55, 56, 57, 73, 76, D28/99; D24/133, 143, 146, 147, 149, D24/151, 200, 211, 214, 215; D7/697; D4/122; D8/14
CPC A45D 40/18; A45D 2200/25; A45D 40/28; A45D 26/0066; A61H 15/00; A61H 2015/0028; A61H 2015/0035; A61H 2015/0064; A61B 17/320708; A61B 17/50

See application file for complete search history.

(56) **References Cited**

U.S. PATENT DOCUMENTS

D212,868 S	*	12/1968	Olson et al.	D24/147
D279,405 S	*	6/1985	Lentz	D24/133
4,836,596 A	*	6/1989	Owen	A61B 17/30 294/99.2
D385,060 S	*	10/1997	Burrell	D28/7
D436,689 S	*	1/2001	Ortiz	D28/9
D439,338 S	*	3/2001	Huttner	D24/147
D490,523 S	*	5/2004	Samborski	D24/119
D549,834 S	*	8/2007	Huang	D24/211

D717,997 S	*	11/2014	Charroy	D28/55
D721,174 S	*	1/2015	Albers	D24/147
D766,454 S	*	9/2016	Higgins	D24/214
D780,997 S	*	3/2017	Leventhal	D28/58
D794,197 S	*	8/2017	Powell	D24/147
D829,919 S	*	10/2018	Davis	D24/211

(Continued)

FOREIGN PATENT DOCUMENTS

GB	6093831	*	7/2020
KR	300817909.0000	*	12/2014

OTHER PUBLICATIONS

Stainless Steel Face Roller [online], [site visited May 19, 2021]. Available from internet, URL: <<https://www.amazon.com/dp/B08KFWQTRY/>> (Year: 2021).*

(Continued)

Primary Examiner — Cynthia Ramirez

Assistant Examiner — Xavier Marti-Santos

(74) *Attorney, Agent, or Firm* — Ziegler IP Law Group, LLC

(57) **CLAIM**

The ornamental design for a cosmetic set, as shown and described.

DESCRIPTION

FIG. 1 is a left side view of a cosmetic set showing the new design;

FIG. 2 is a right side view thereof;

FIG. 3 is a front view thereof;

FIG. 4 is a back view thereof;

FIG. 5 is a top view thereof;

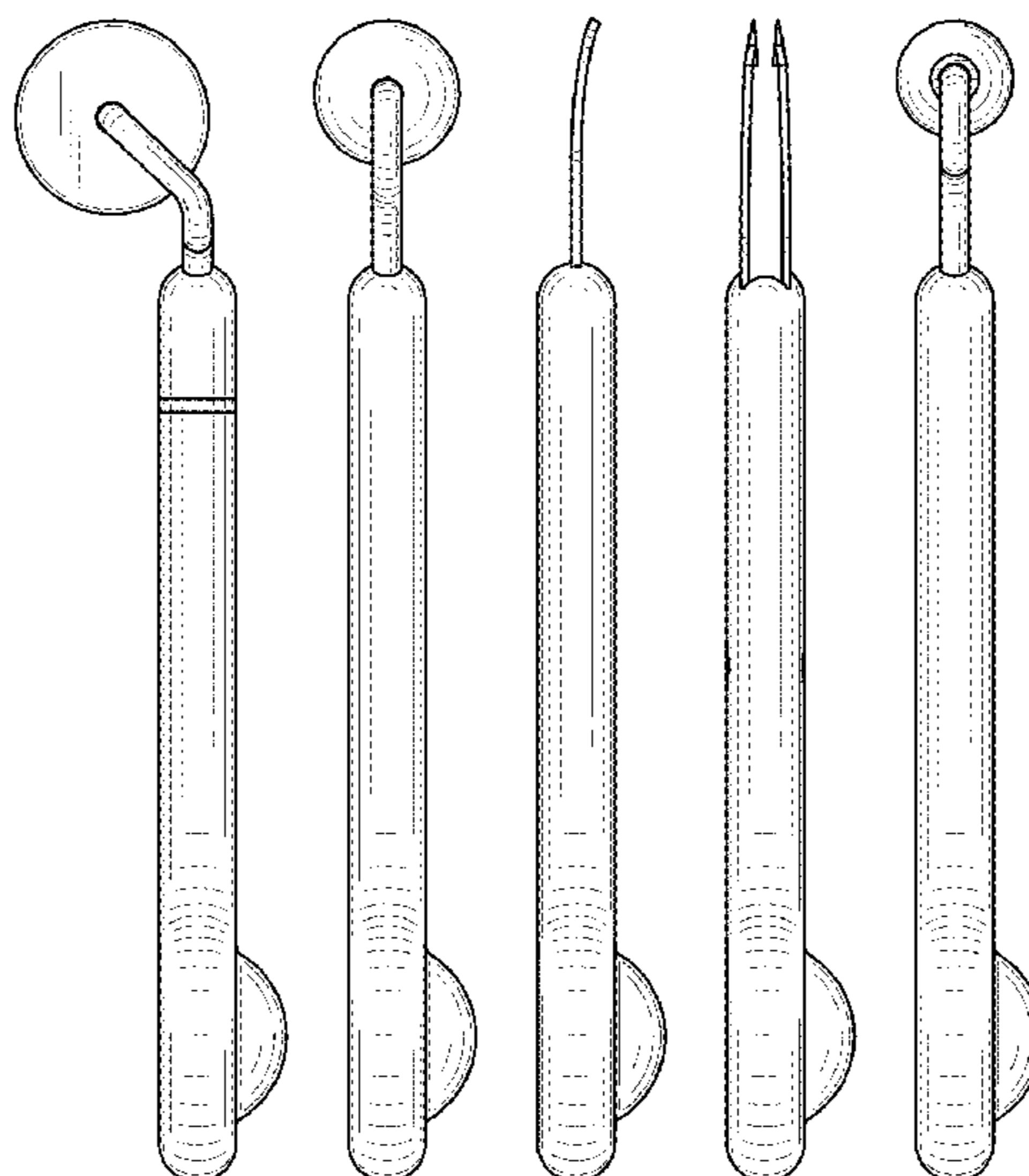
FIG. 6 is a bottom view thereof;

FIG. 7 is a perspective side view thereof;

FIG. 8 is a perspective exploded view of the cosmetic set; and,

FIG. 9 is a left side view of a cosmetic set in a coupled state.

1 Claim, 8 Drawing Sheets



(56)

References Cited

U.S. PATENT DOCUMENTS

D848,088 S * 5/2019 Cunniff D30/199
D895,823 S * 9/2020 Khubani D24/211
D897,599 S * 9/2020 Ishida D28/44
2013/0048011 A1 * 2/2013 Bickford A45D 40/28
132/320
2020/0154854 A1 * 5/2020 Kennedy Zdanow
A45D 26/0066

OTHER PUBLICATIONS

BESTOPE Blackhead Remover Pimple Popper [online], [site visited May 19, 2021]. Available from internet, URL: <<https://www.amazon.com/BESTOPE-Blackhead-Remover-Comedone-Extractor/dp/B019SVHLEY>> (Year: 2016).*

Micro 540 Needles Derma Roller [online], [site visited May 19, 2021]. Available from internet, URL: <<https://www.amazon.com/Micro-Needles-Derma-Roller-0-25mm/dp/B075XGFHML>> (Year: 2017).*

Ofanyia Eye Cream Massager Wand [online], [site visited May 19, 2021]. Available from internet, URL: <<https://www.amazon.com/Ofanyia-Cream-Massager-Roller-Massage/dp/B07QW7N7QD>> (Year: 2019).*

* cited by examiner

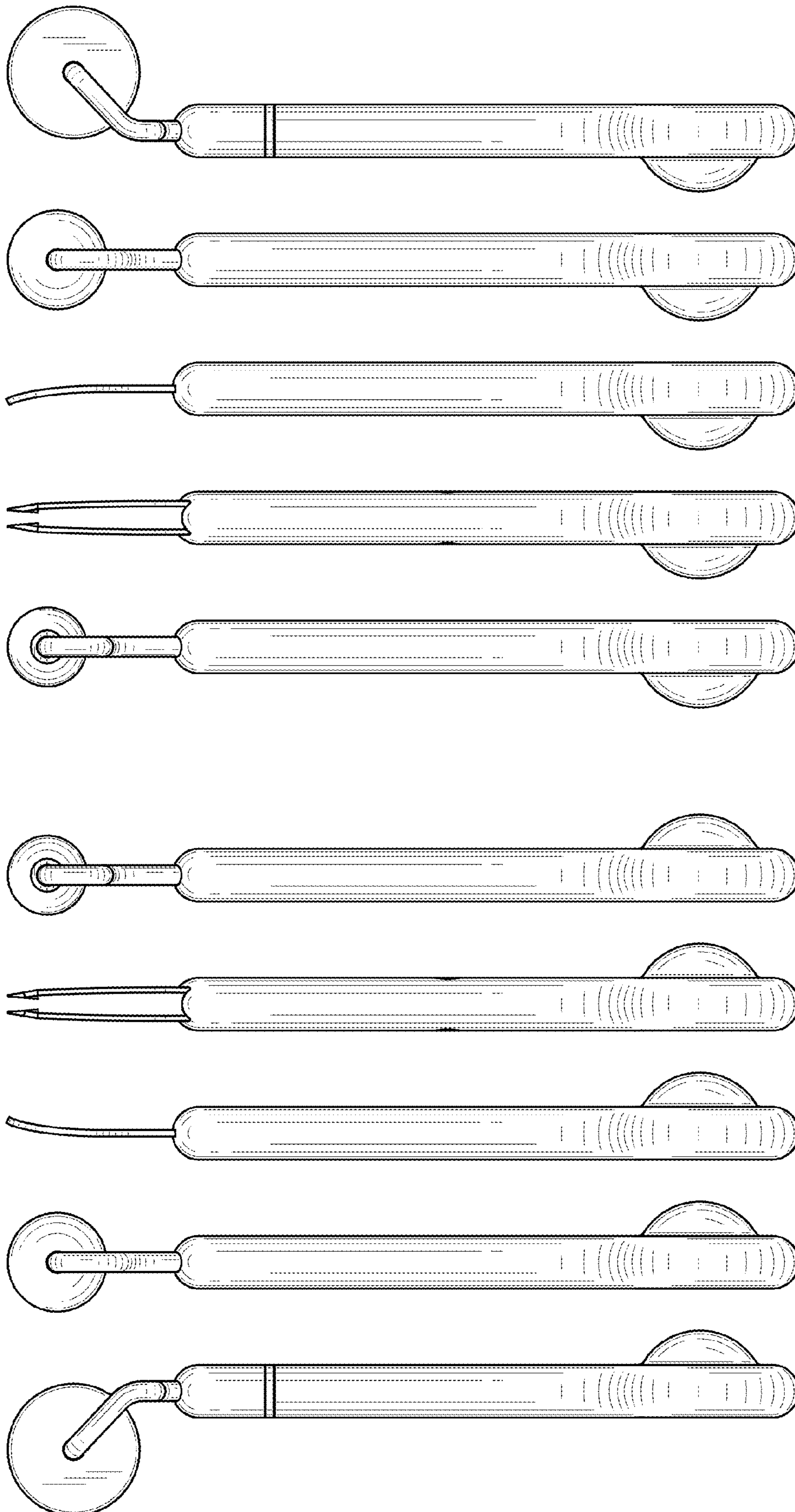


FIG. 2

FIG. 1

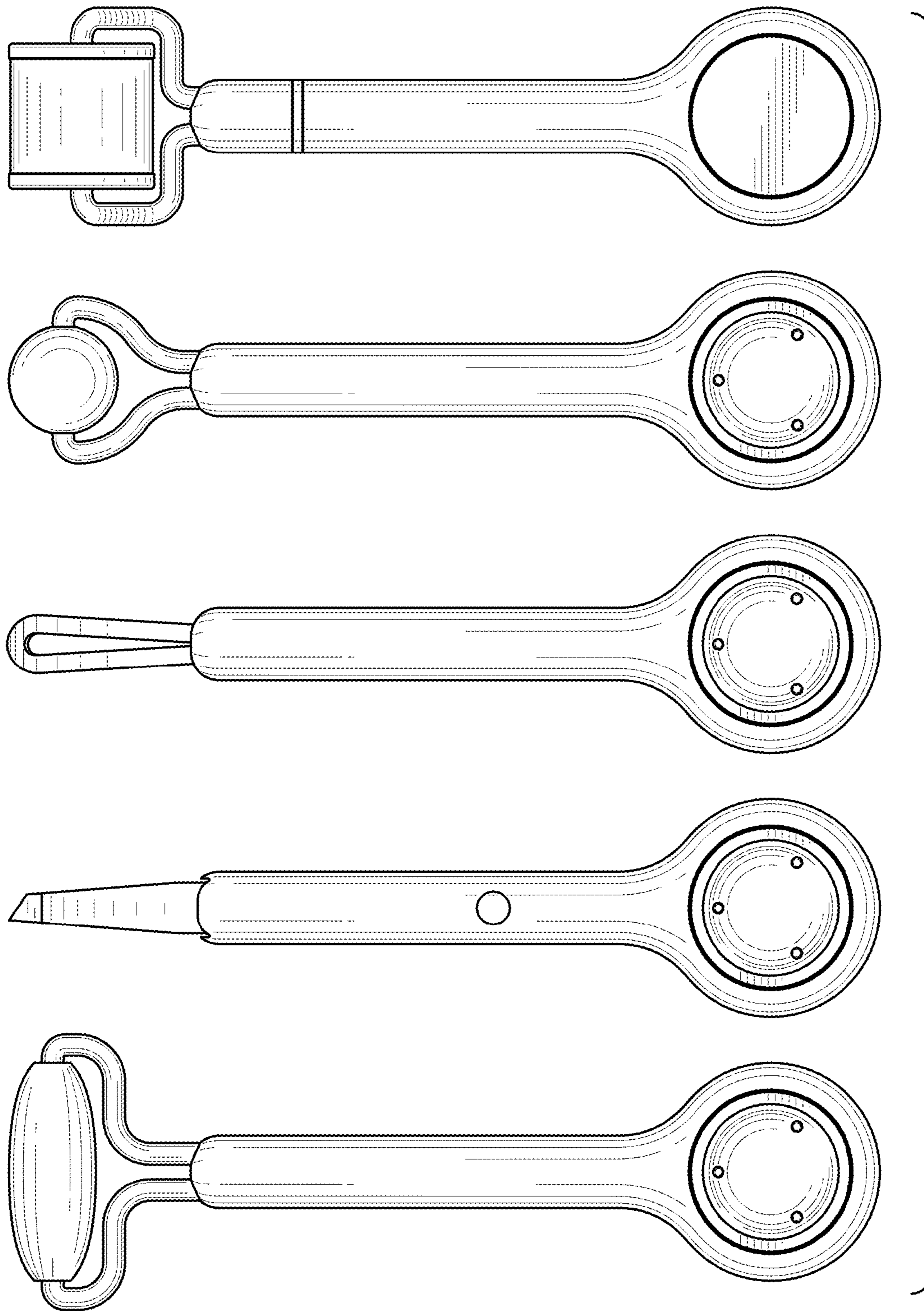


FIG. 3

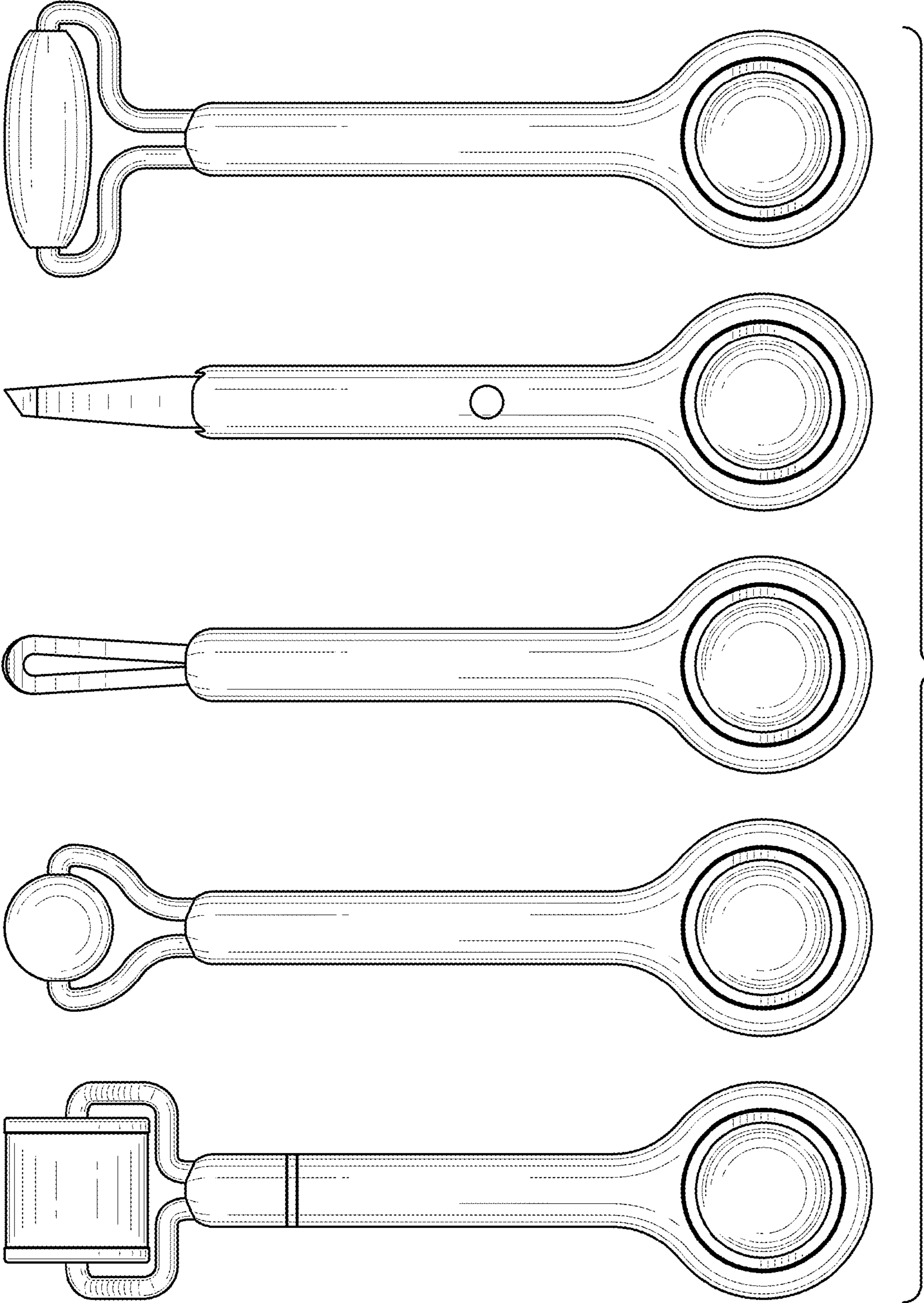


FIG. 4

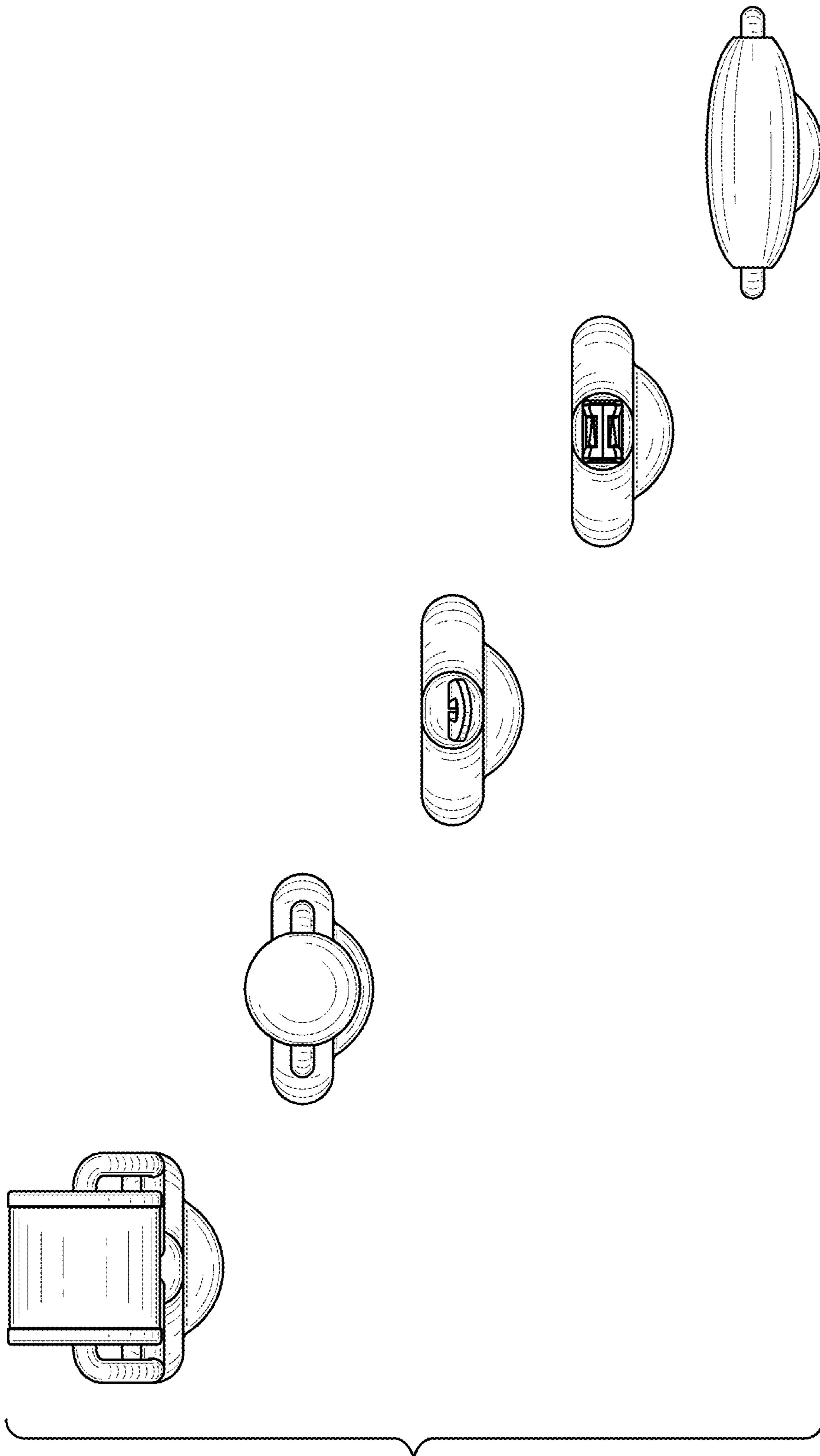


FIG. 5

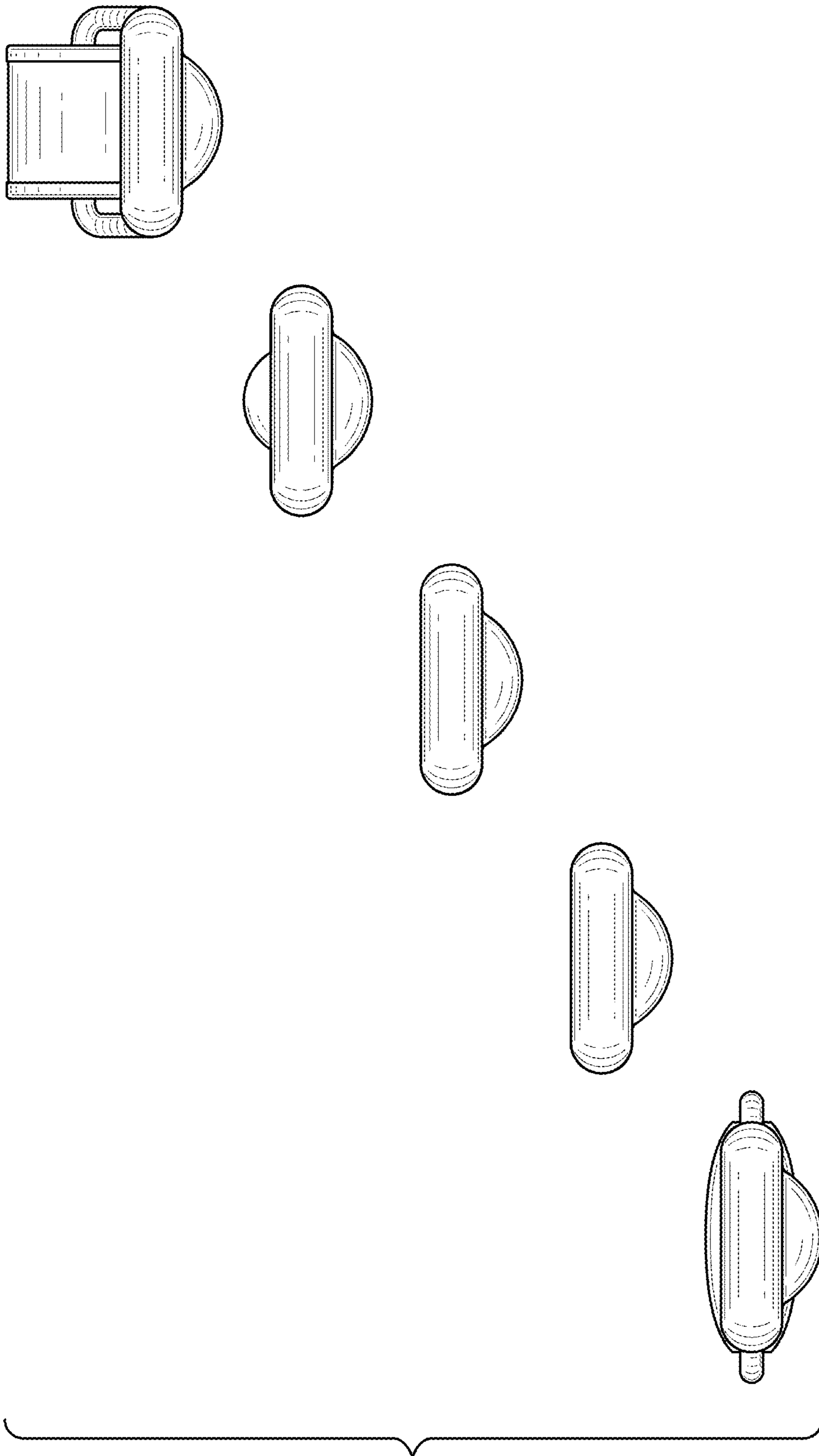


FIG. 6

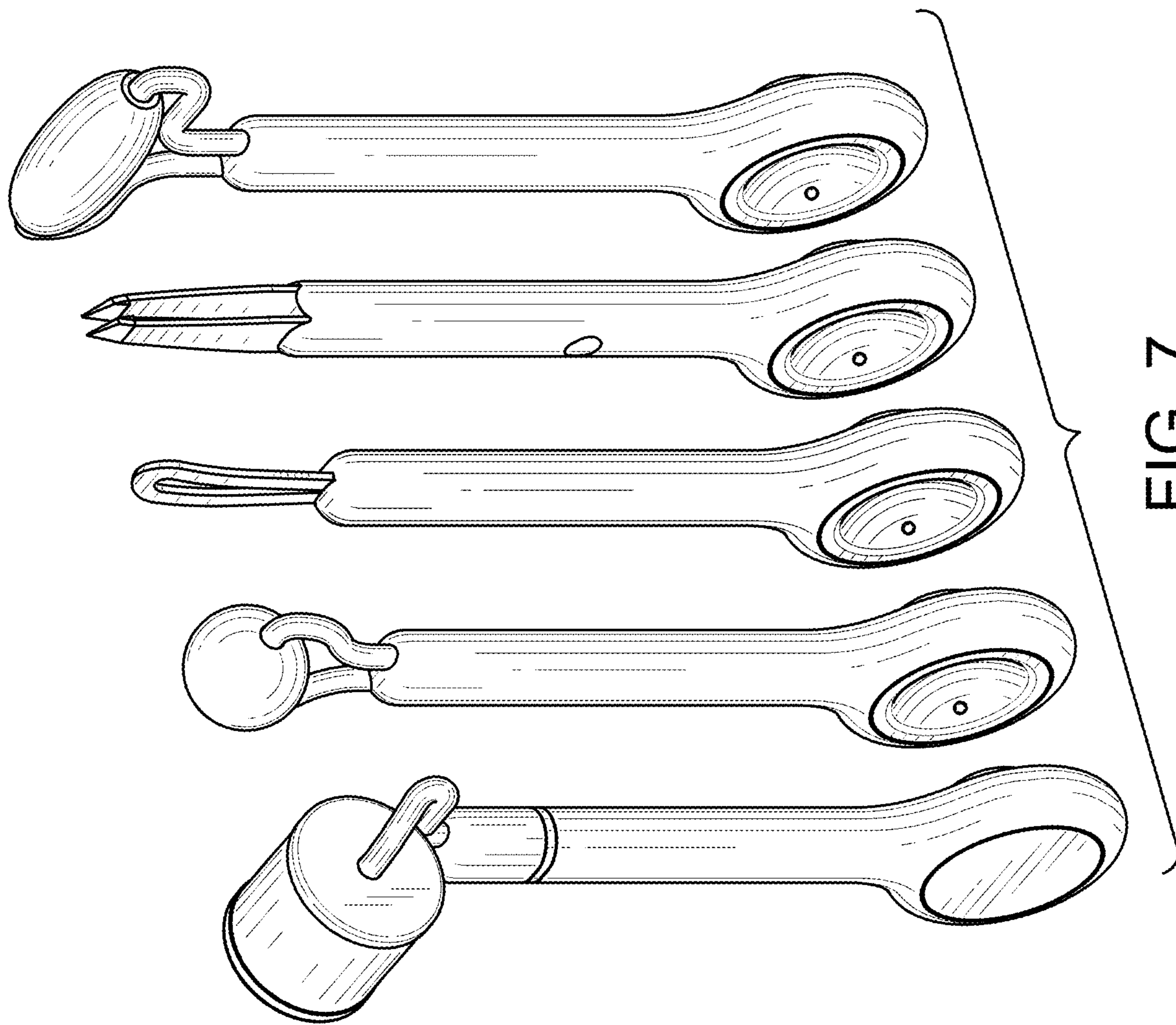


FIG. 7

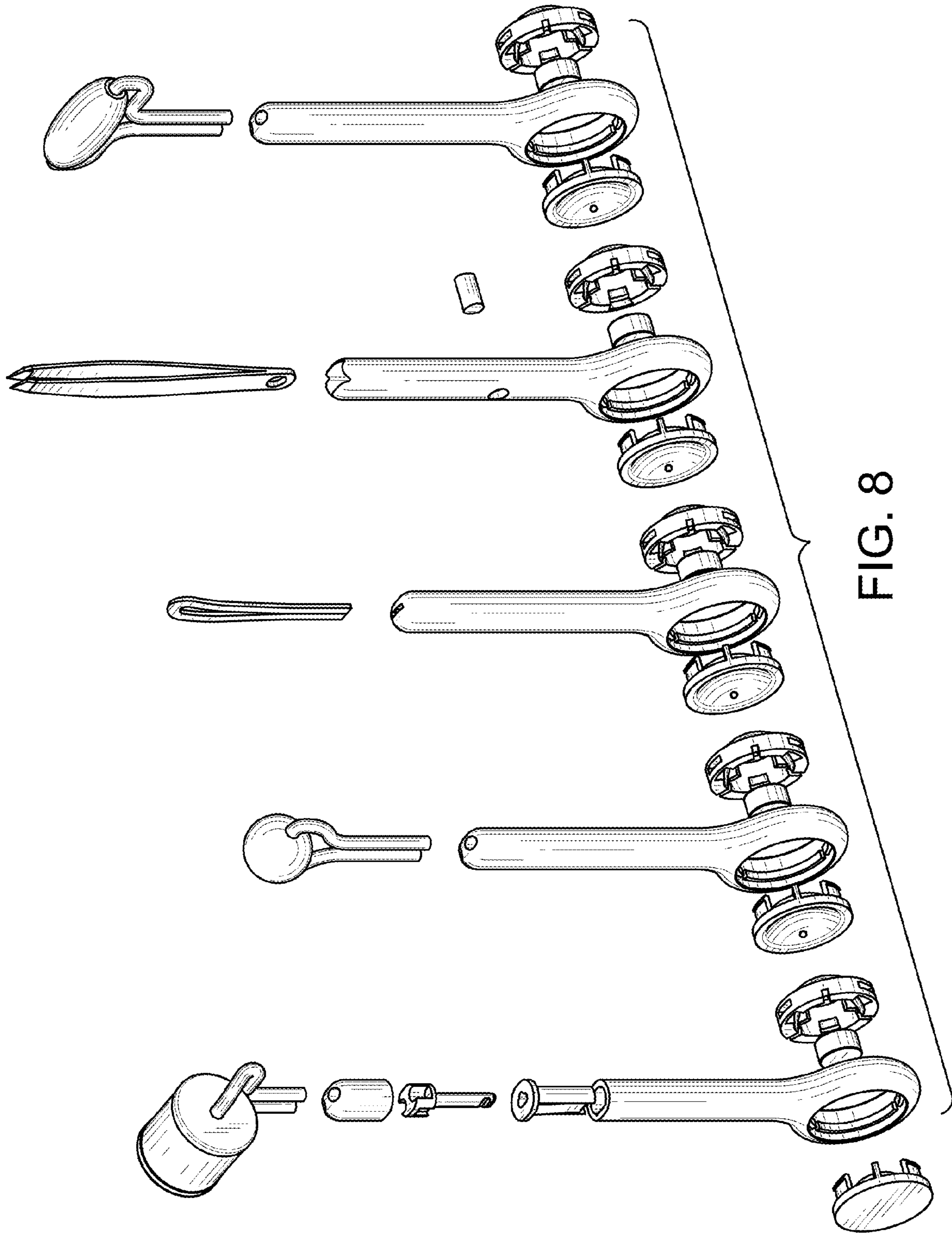


FIG. 8

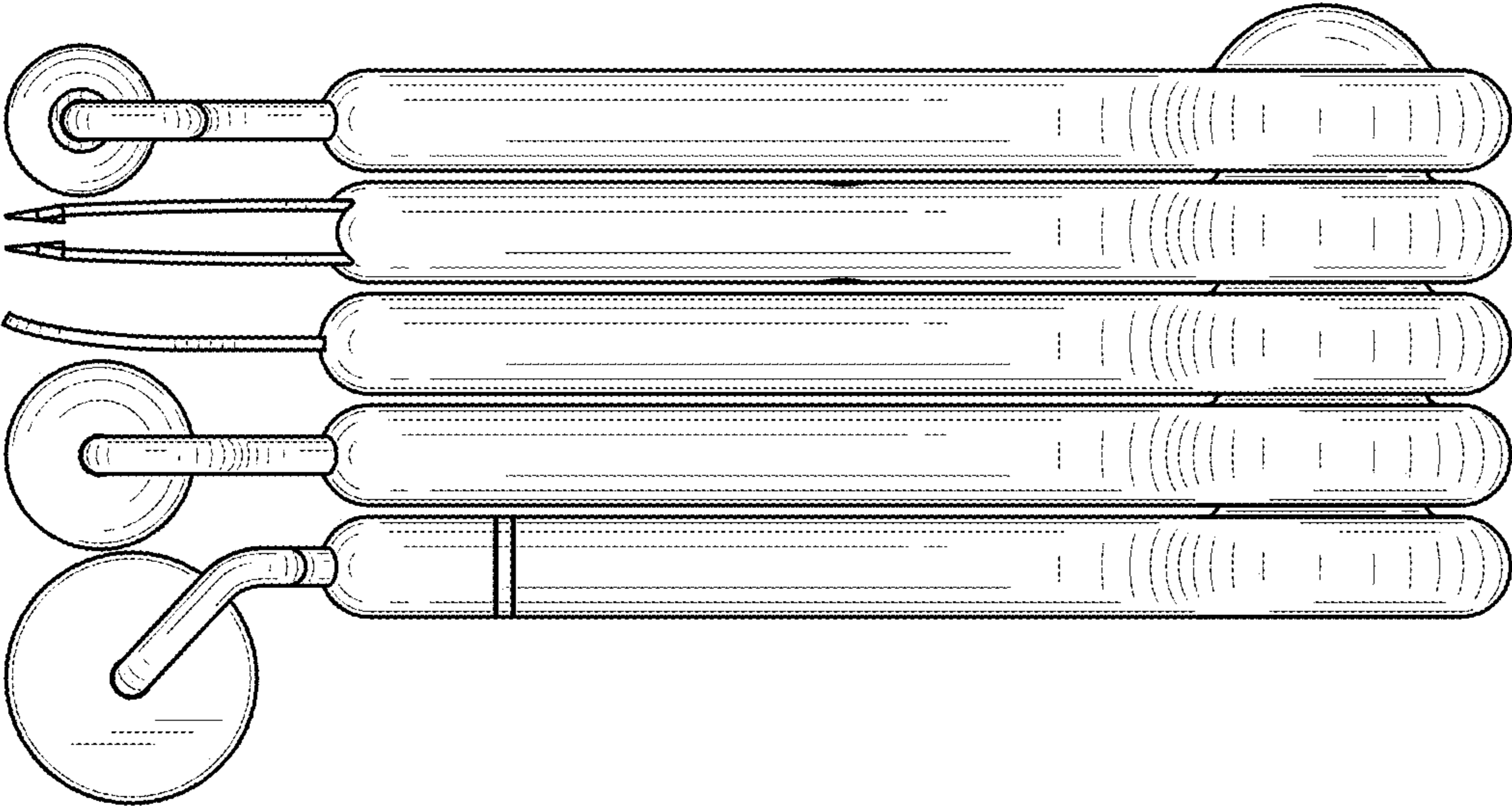


FIG. 9