



US00D934490S

(12) **United States Design Patent** (10) **Patent No.:** **US D934,490 S**
Shi et al. (45) **Date of Patent:** **** Oct. 26, 2021**

(54) **ATOMIZER**
(71) Applicant: **Shenzhen Smoore Technology Limited**, Guandong (CN)
(72) Inventors: **You Shi**, Shenzhen (CN); **Yu Liu**, Shenzhen (CN)
(73) Assignee: **SHENZHEN SMOORE TECHNOLOGY LIMITED**, Shenzhen (CN)
(**) Term: **15 Years**
(21) Appl. No.: **29/708,680**
(22) Filed: **Oct. 9, 2019**
(30) **Foreign Application Priority Data**

Apr. 28, 2019 (CN) 201930202328.5
(51) **LOC (13) Cl.** **27-02**
(52) **U.S. Cl.**
USPC **D27/162**
(58) **Field of Classification Search**
USPC D27/100, 101, 137, 162, 163, 164, 165,
D27/166, 167, 168, 169, 170, 171, 172,
(Continued)

(56) **References Cited**
U.S. PATENT DOCUMENTS
D771,307 S * 11/2016 Wu D27/101
D792,022 S * 7/2017 Li D27/167
(Continued)

FOREIGN PATENT DOCUMENTS
CN 201630543304 * 3/2017
CN 201730062141 * 12/2017
(Continued)

OTHER PUBLICATIONS
Aspire Nautilus 2—Best Tank. By DashVapes. Dated Mar. 13, 2017.
Found online [Jan. 4, 2020]. <https://www.youtube.com/watch?v=cg1ICd4C8oo> (Year: 2017).*
(Continued)

Primary Examiner — Marissa J Cash
Assistant Examiner — William B Melliar

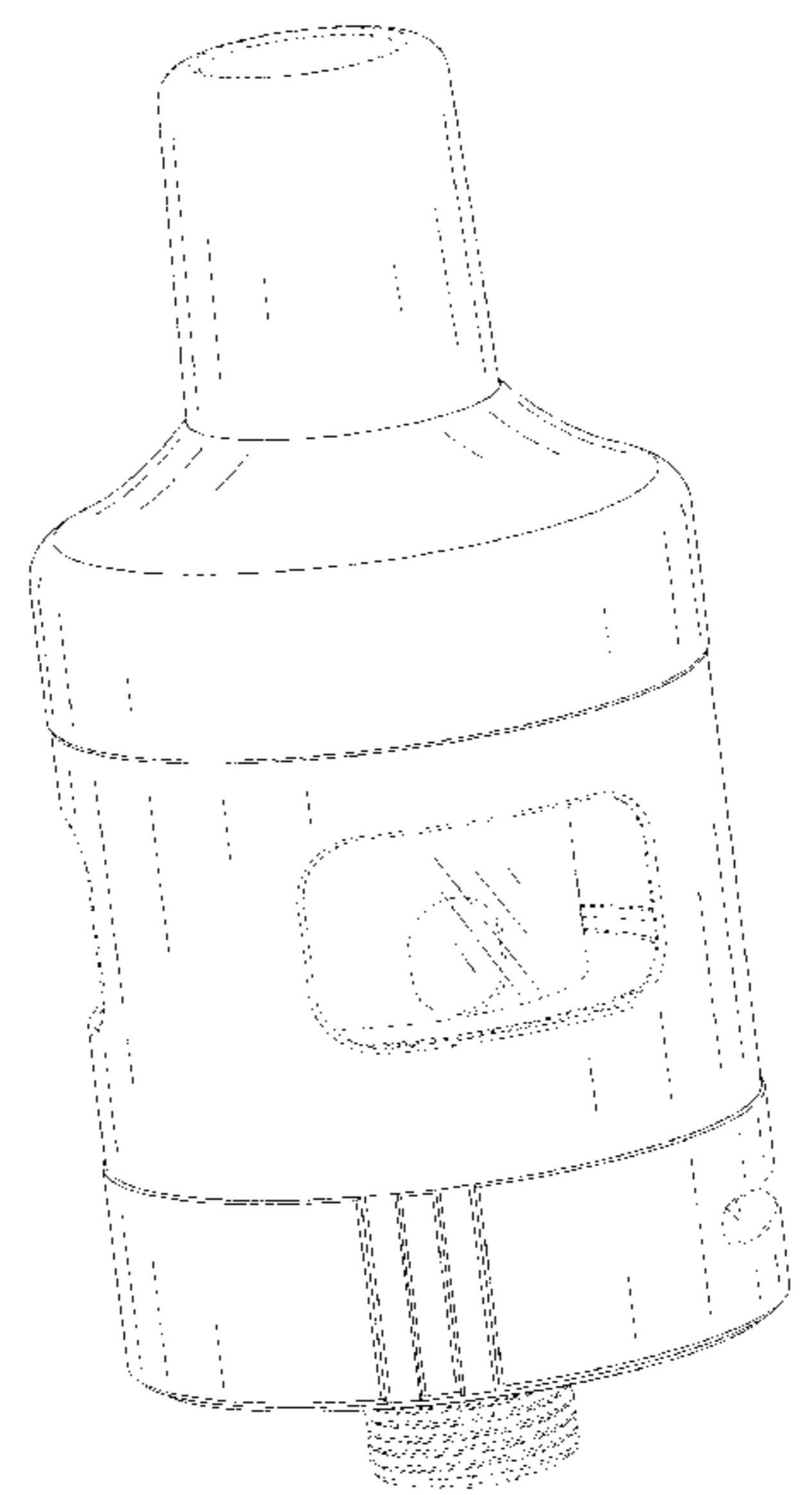
(57) **CLAIM**

The ornamental design for an atomizer, as shown and described.

DESCRIPTION

FIG. 1 is a perspective view of an atomizer according to a first embodiment of the design;
FIG. 2 is another perspective view thereof;
FIG. 3 is a front elevational view thereof;
FIG. 4 is a rear elevational view thereof;
FIG. 5 is a left side elevational view thereof;
FIG. 6 is a right side elevational view thereof;
FIG. 7 is an enlarged top plan view thereof;
FIG. 8 is an enlarged bottom plan view thereof;
FIG. 9 is a perspective view of an atomizer according to a second embodiment of the design;
FIG. 10 is another perspective view thereof;
FIG. 11 is a front elevational view thereof;
FIG. 12 is a rear elevational view thereof;
FIG. 13 is a left side elevational view thereof;
FIG. 14 is a right side elevational view thereof;
FIG. 15 is an enlarged top plan view thereof;
FIG. 16 is an enlarged bottom plan view thereof;
FIG. 17 is an enlarged view of area 17 circumscribed in FIG. 2; and,
FIG. 18 is an enlarged view of area 18 circumscribed in FIG. 10.
The dash-dash broken lines in the drawings depict portions of the atomizer that form no part of the claimed design. The long dash-short dash broken lines in the drawings depict the boundaries of the enlarged views and form no part of the claimed design. The oblique shade lines in the figures show transparency.

1 Claim, 18 Drawing Sheets



(58) **Field of Classification Search**

USPC D27/173, 174, 175, 176, 177, 178, 179,
 D27/180, 181, 182, 183, 184, 185, 186,
 D27/187, 188, 189, 190, 191, 192, 193,
 D27/194, 196; D24/110, 110.4, 110.5,
 D24/110.6, 113; D28/91.1; D23/360,
 D23/362
 CPC A24F 47/008; A24F 40/10; A24F 40/40;
 A24F 40/46; A24F 40/42; A24F 40/44;
 A24F 47/00; A24F 40/485; A24F 40/48;
 A24F 40/70; A24F 40/05; A24F 7/00;
 A24F 40/465; A24F 40/49; A24F 40/50;
 A24F 47/002; A24F 1/00; A24F 1/02;
 A24F 1/32; A24F 40/51; A24F 40/57;
 A24F 47/004; A24F 7/02; A24F 9/16;
 A24F 40/60; A24F 40/20; A24F 40/65;
 A24F 40/53; A24F 40/30; A24F 40/90;
 A24F 40/95; A24F 13/00; A24F 15/12;
 A24F 15/14; A24F 15/18; A24F 2700/03;
 A24F 40/85; A24F 42/20; A24F 42/60;
 A24F 7/04; A24F 15/00; A24F 15/015;
 A24F 40/00

See application file for complete search history.

(56) **References Cited**

U.S. PATENT DOCUMENTS

D799,114 S * 10/2017 Li D27/167
 9,795,169 B1 * 10/2017 Zhu A24F 47/008
 D811,652 S * 2/2018 Liu D27/167
 D861,978 S * 10/2019 Lai D27/167
 D869,752 S * 12/2019 Dong D27/162

D877,975 S * 3/2020 Crowe D27/162
 D883,567 S * 5/2020 Liu D27/162
 D900,387 S * 10/2020 Liu D27/162
 D920,572 S * 5/2021 Liu D27/167
 D921,285 S * 6/2021 Liu D27/167
 2017/0202268 A1 * 7/2017 Li A24F 40/485
 2017/0280770 A1 * 10/2017 Wang H05B 1/0227

FOREIGN PATENT DOCUMENTS

CN 201730431798 * 4/2018
 CN 201730475211 * 8/2018
 CN 201730675352 * 9/2018
 CN 201830335685 * 11/2018
 CN 202030398115.7 * 12/2020

OTHER PUBLICATIONS

New LYCHE subohm Tank by Eleaf. By MyFreedomSmokes. Dated May 27, 2016. Found online [Jan. 4, 2020]. <https://www.youtube.com/watch?v=VUKZ-8A5KdU> (Year: 2016).*

Aspire Cleito Pro Tank. By Aspire. Dated Jul. 19, 2018. Found online [Jan. 4, 2020]. <https://www.aspirecig.com/aspire-tanks/cleito/cleito529.html> (Year: 2019).*

Vapresso VM Tank. By Sourcemore. Dated May 24, 2019. Found online [Jan. 4, 2020]. https://twitter.com/Sourcemore_Ecig/status/1131783632908095488/photo/1 (Year: 2019).*

RDTA 5 by iJoy Review. By Matt from SMM. Dated May 11, 2017. Found online [Jan. 4, 2020]. <https://www.youtube.com/watch?v=466ZpyK6KrE> (Year: 2017).*

Lost Vape Ultra Boost X Sub-Ohm Tank. By Lost Vape. Dated Jul. 30, 2020. Found online [Jan. 4, 2020]. <https://www.elementvape.com/lost-vape-ultra-boost-x-tank> (Year: 2020).*

* cited by examiner



FIG. 1

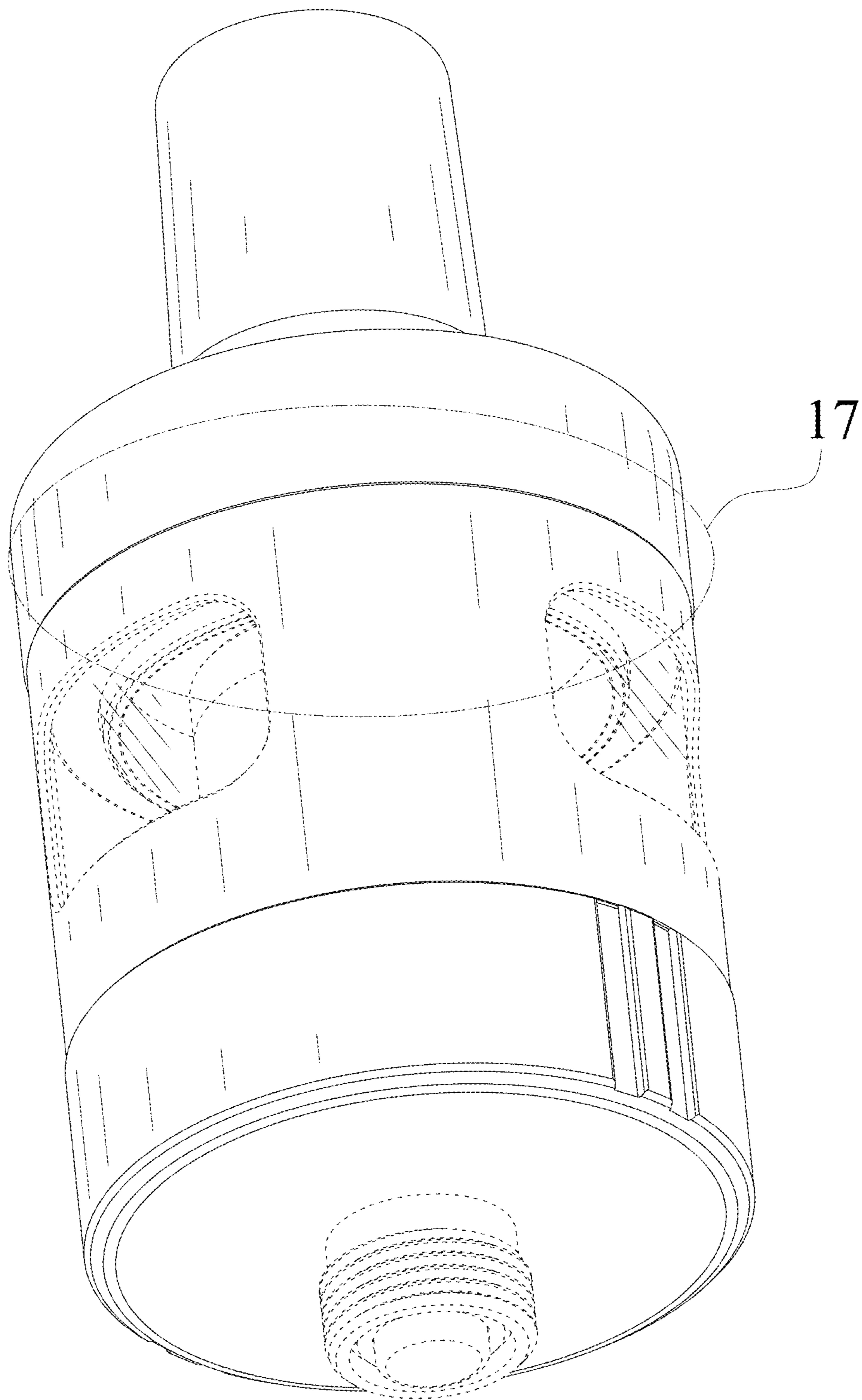


FIG. 2

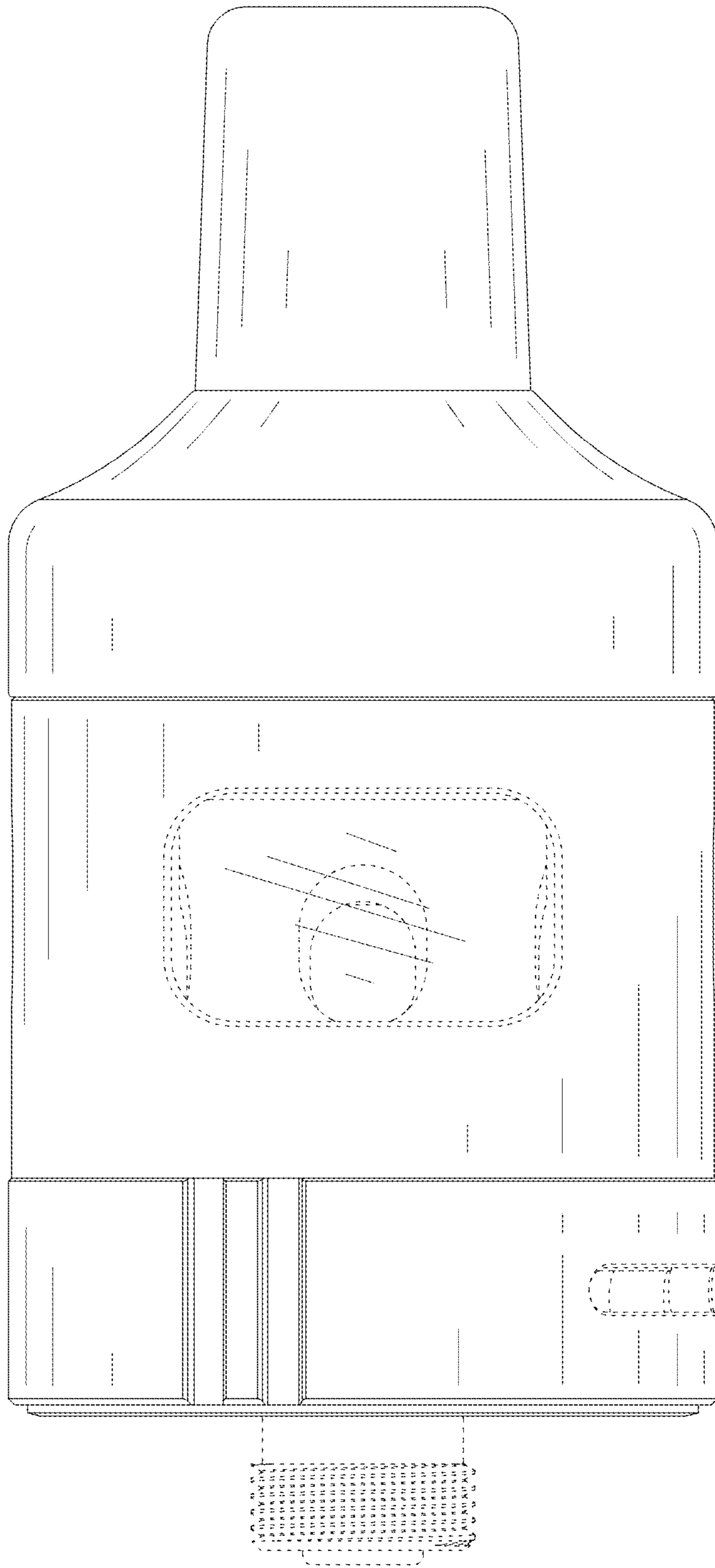


FIG. 3

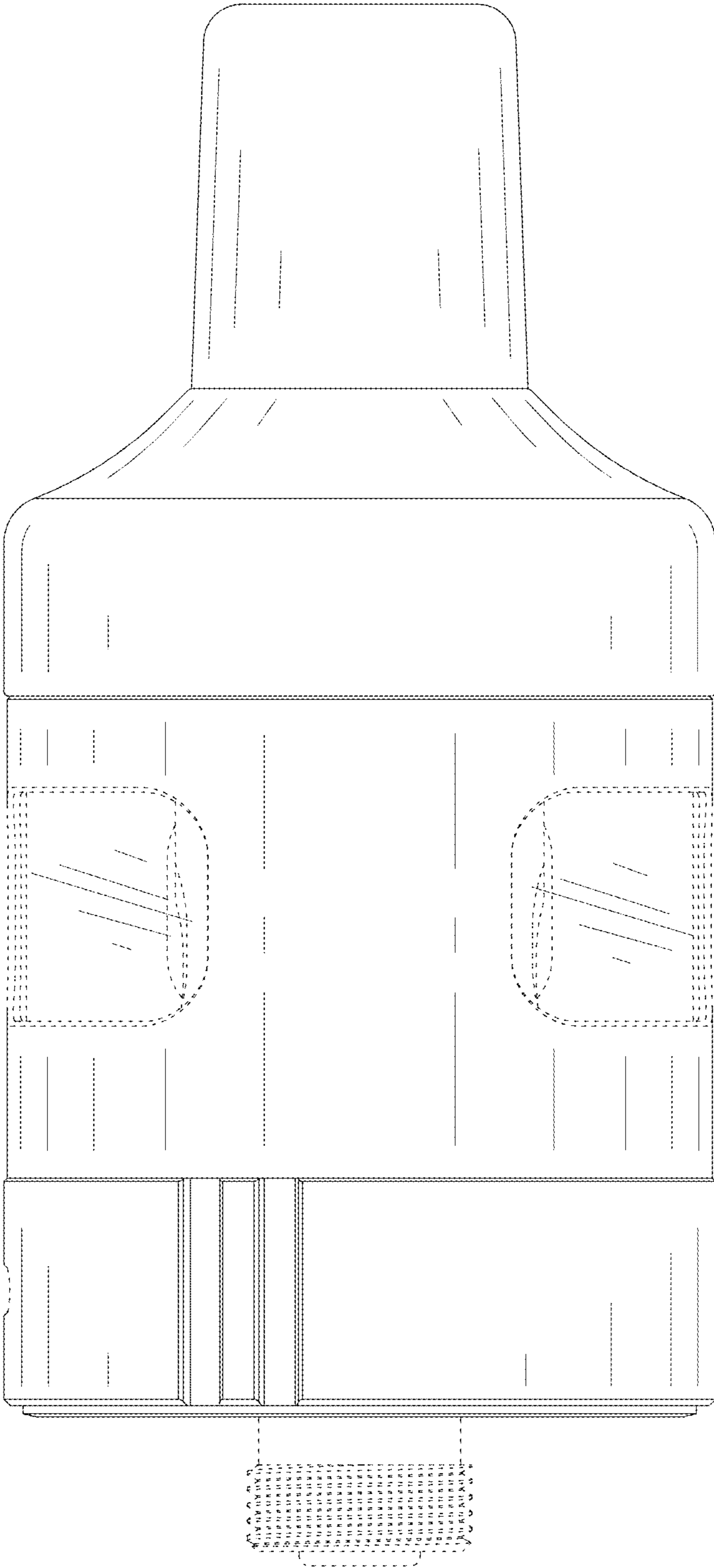


FIG. 4

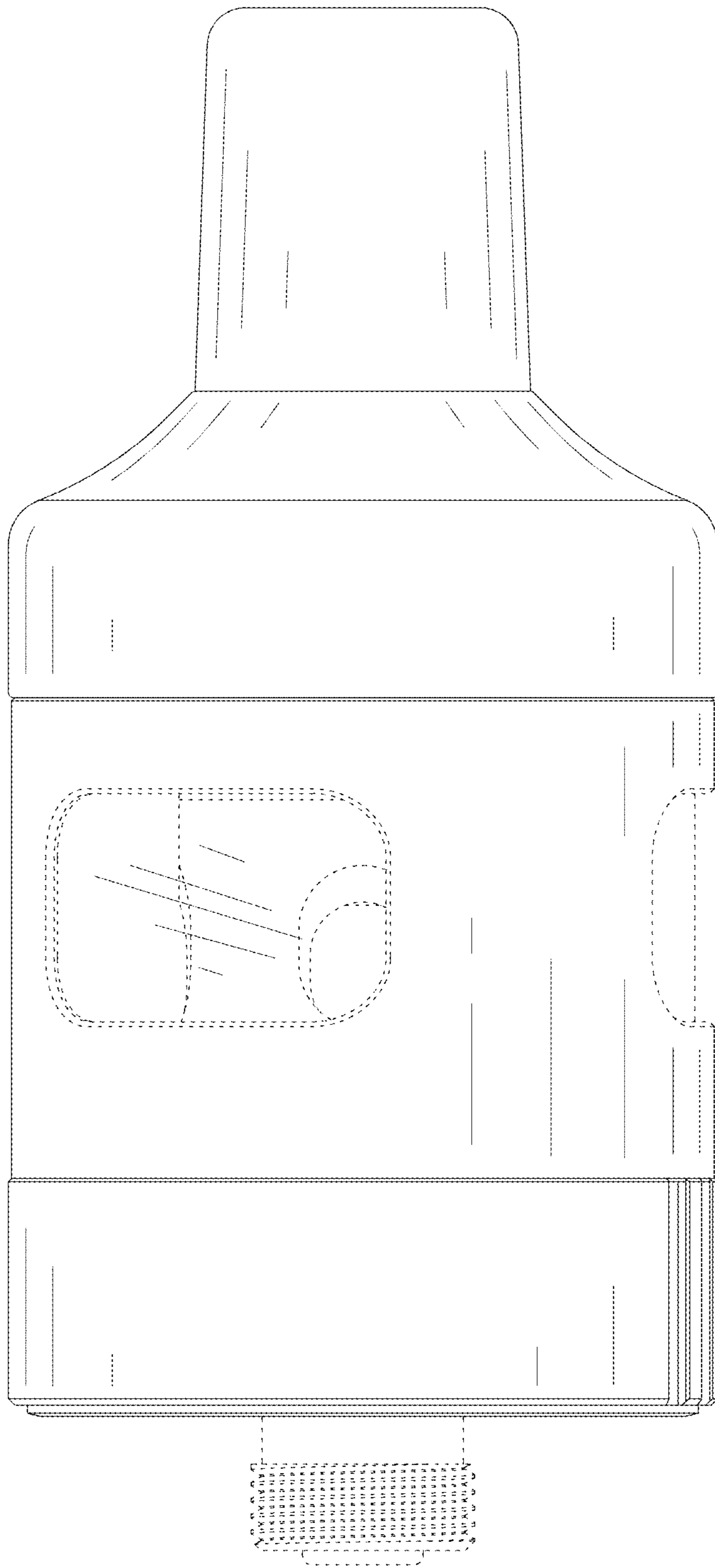


FIG. 5

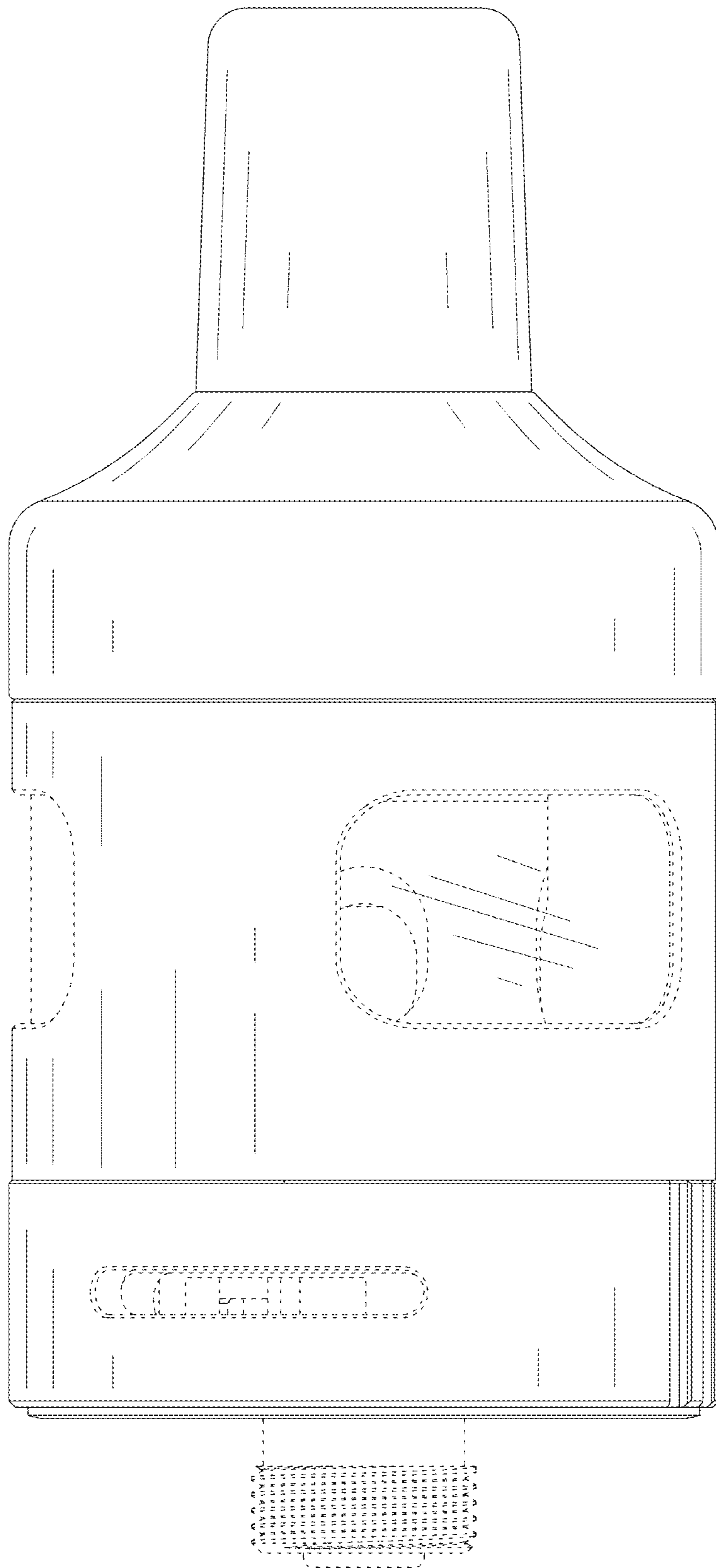


FIG. 6

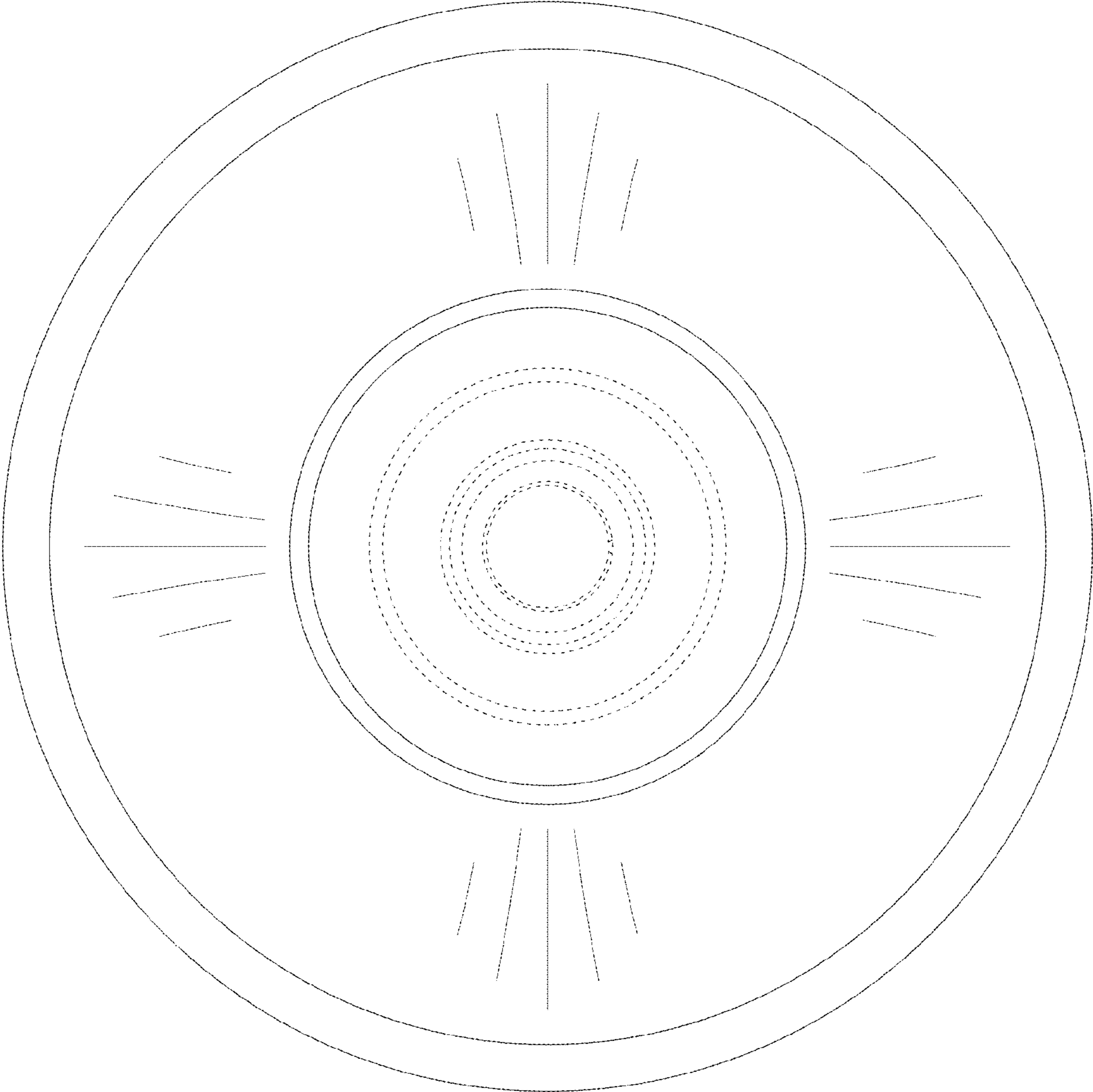


FIG. 7



FIG. 8

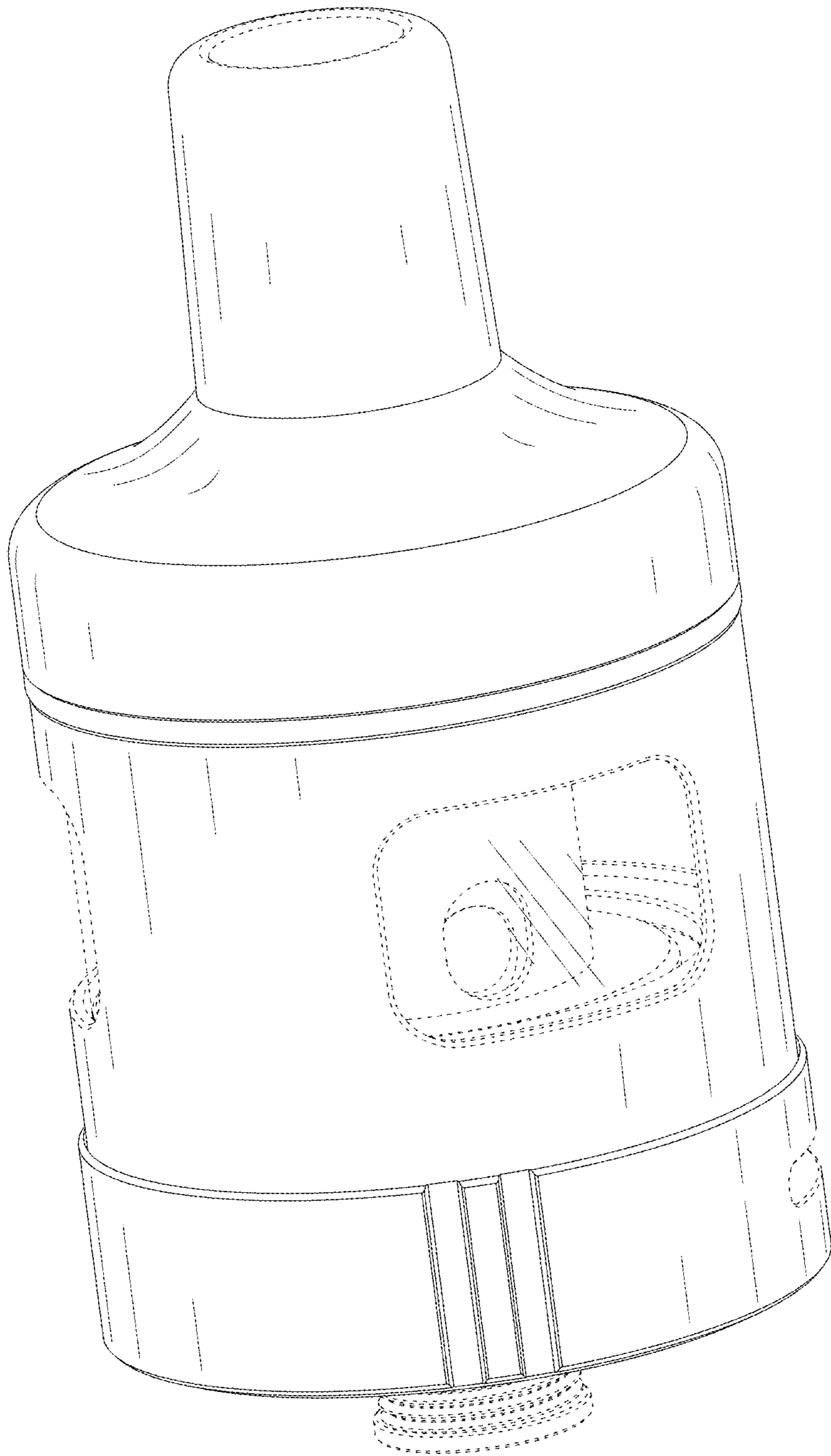


FIG. 9

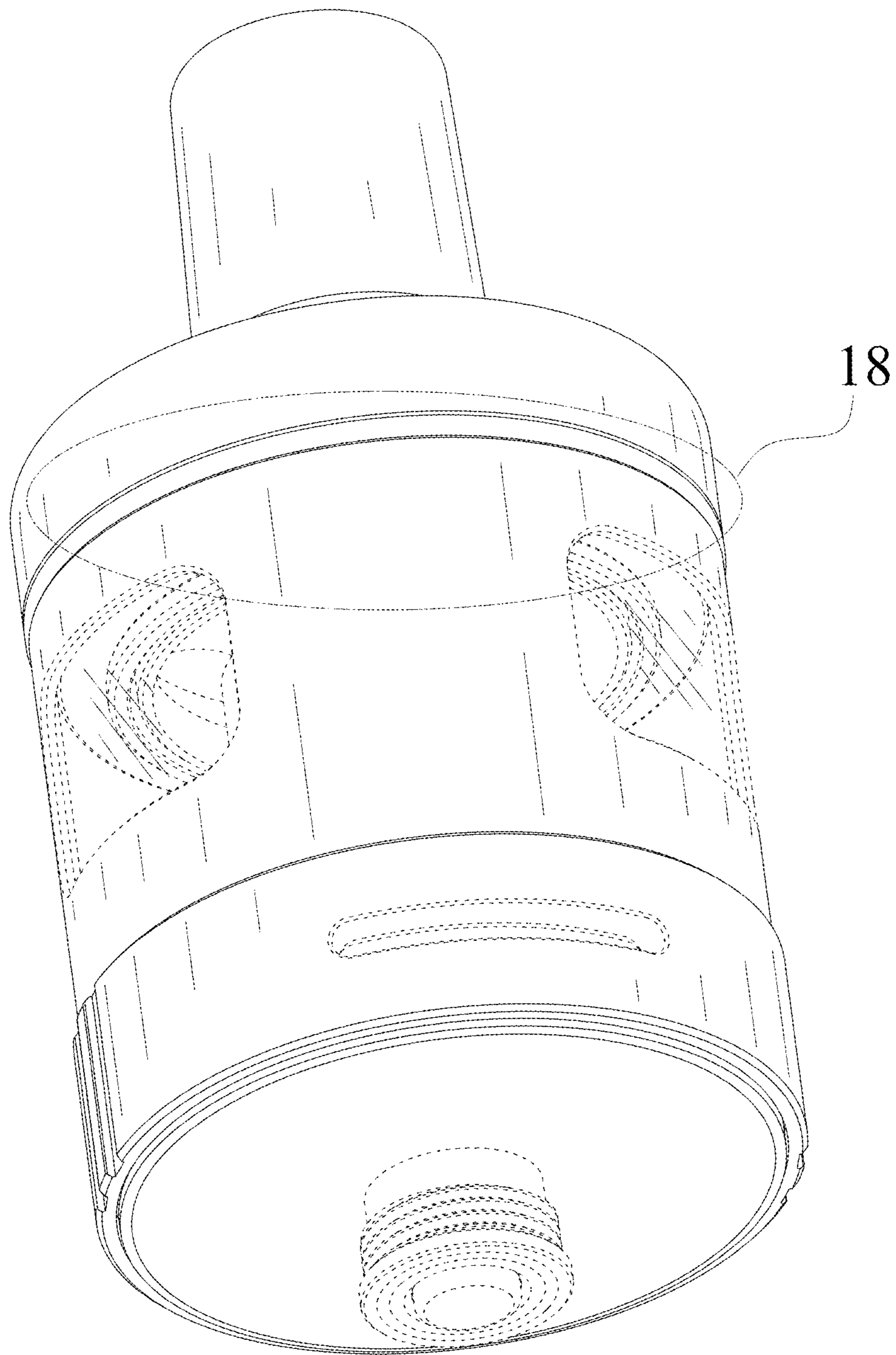


FIG. 10

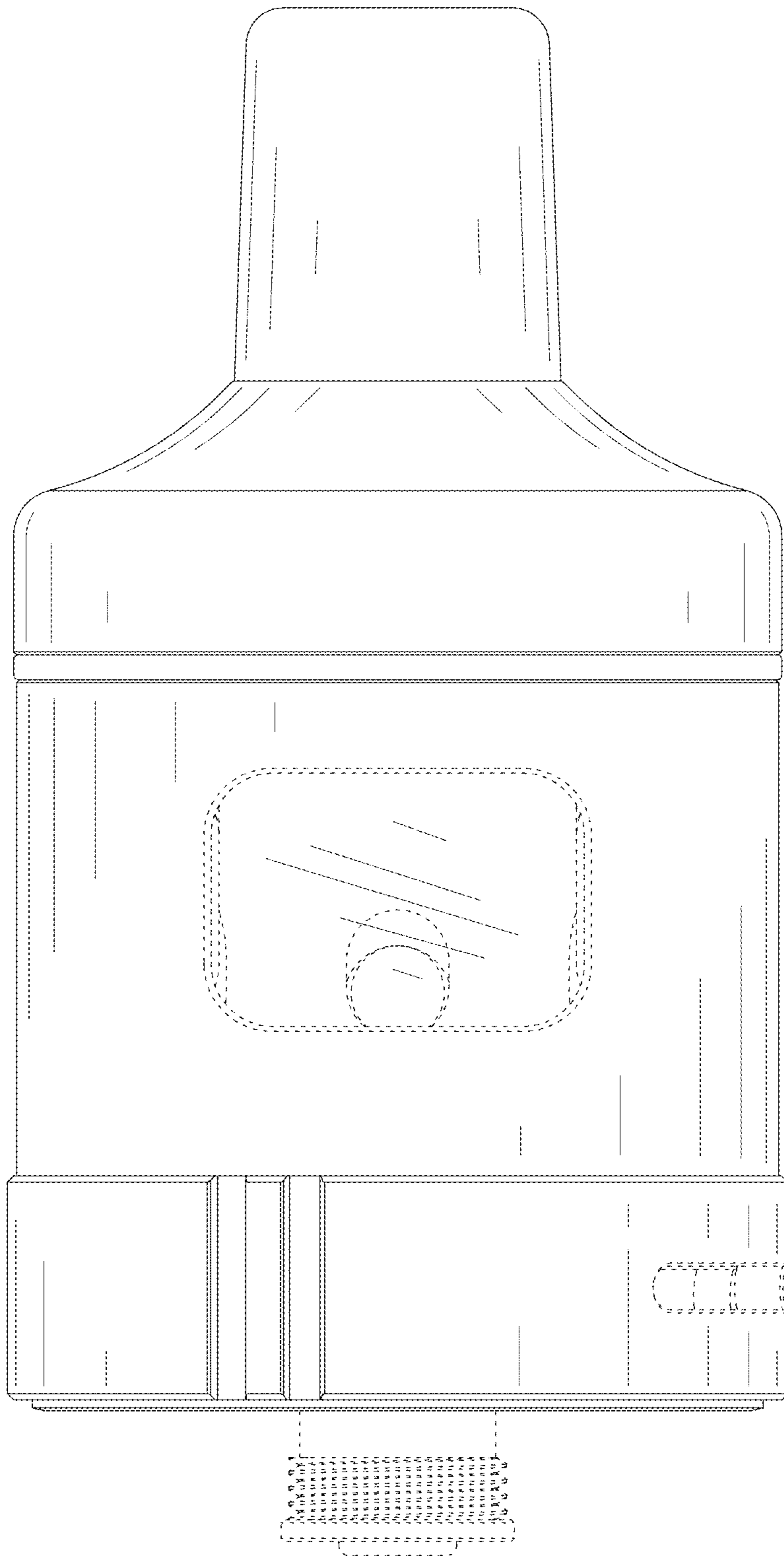


FIG. 11

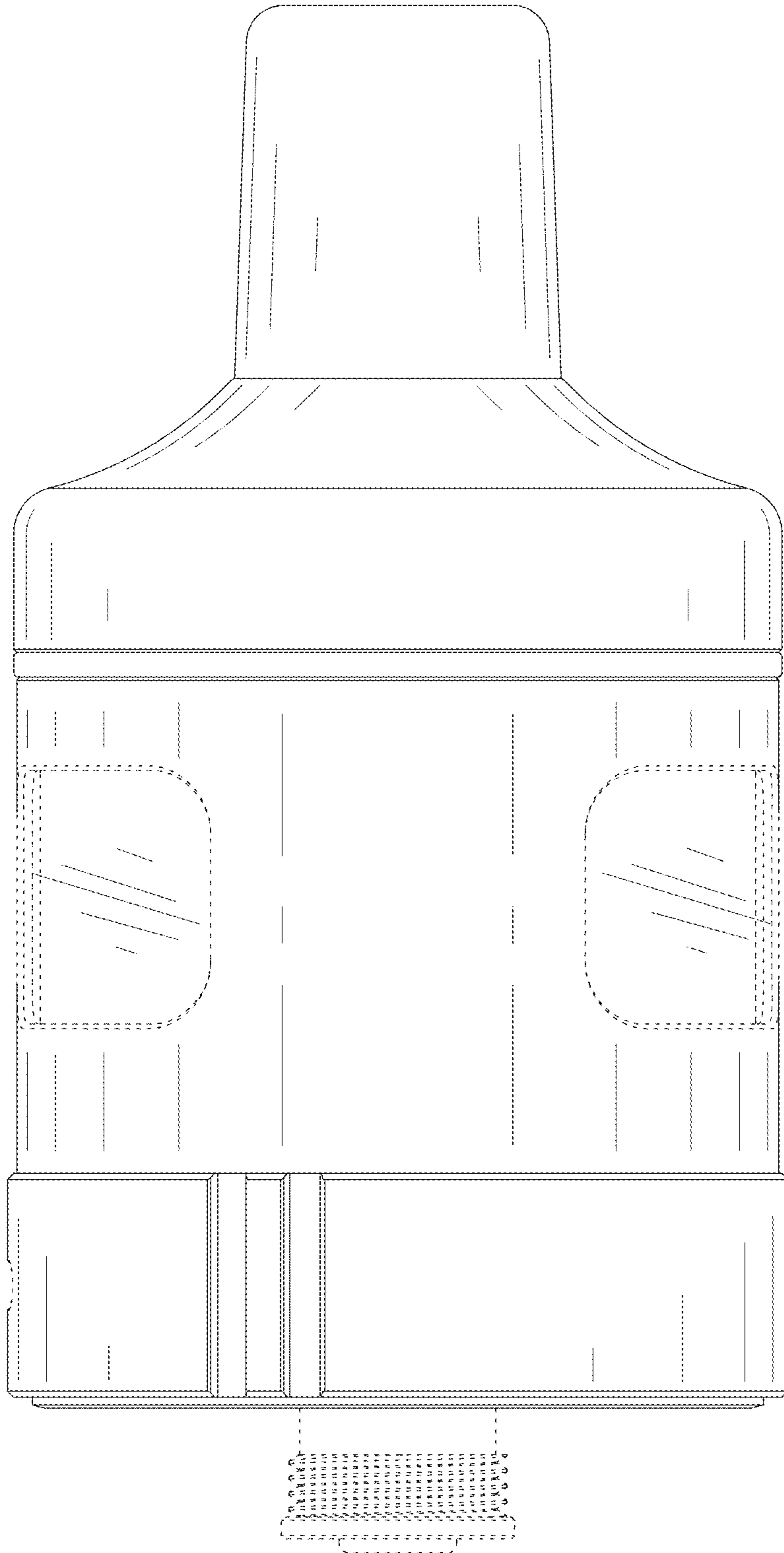


FIG. 12

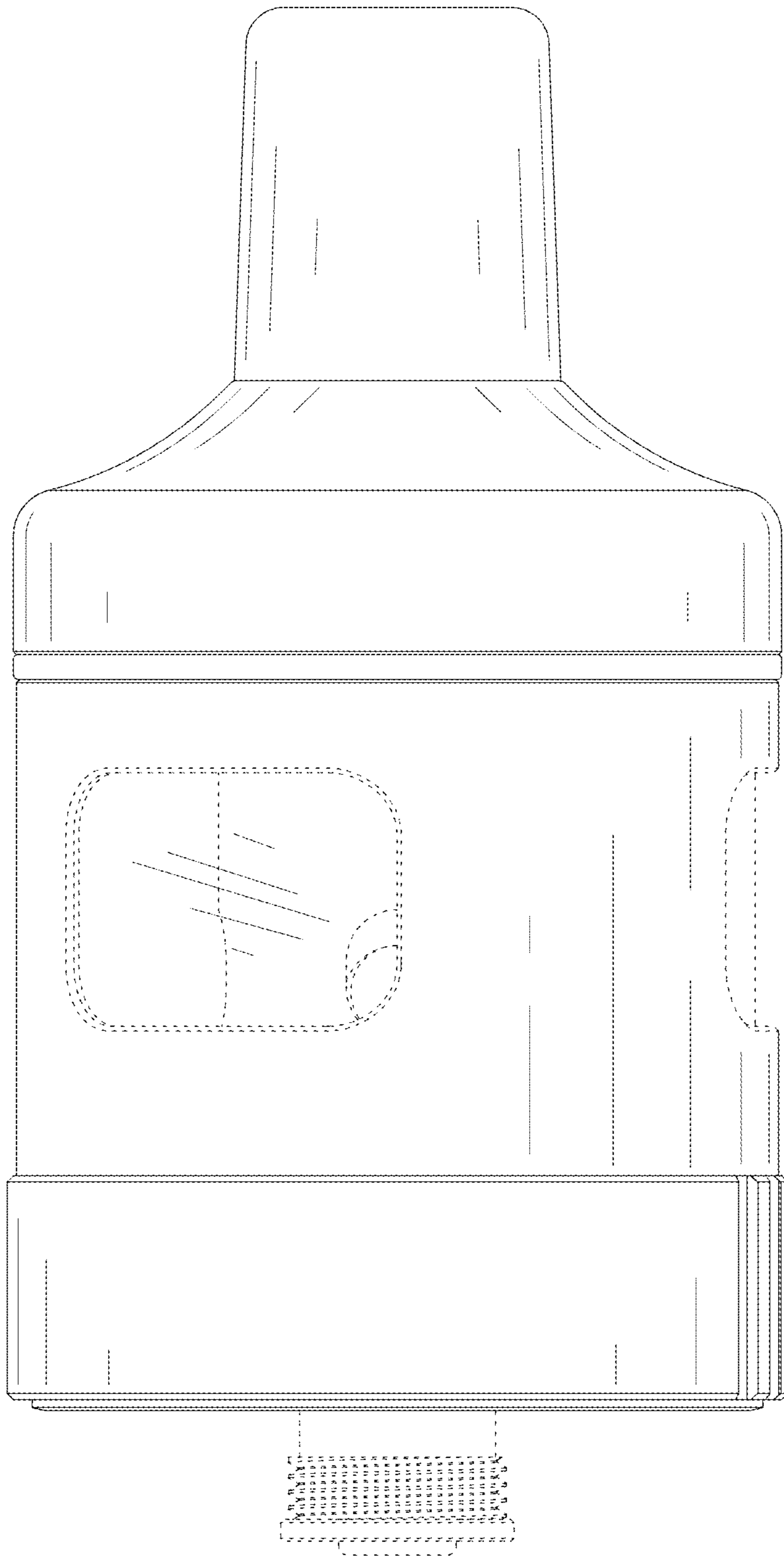


FIG. 13

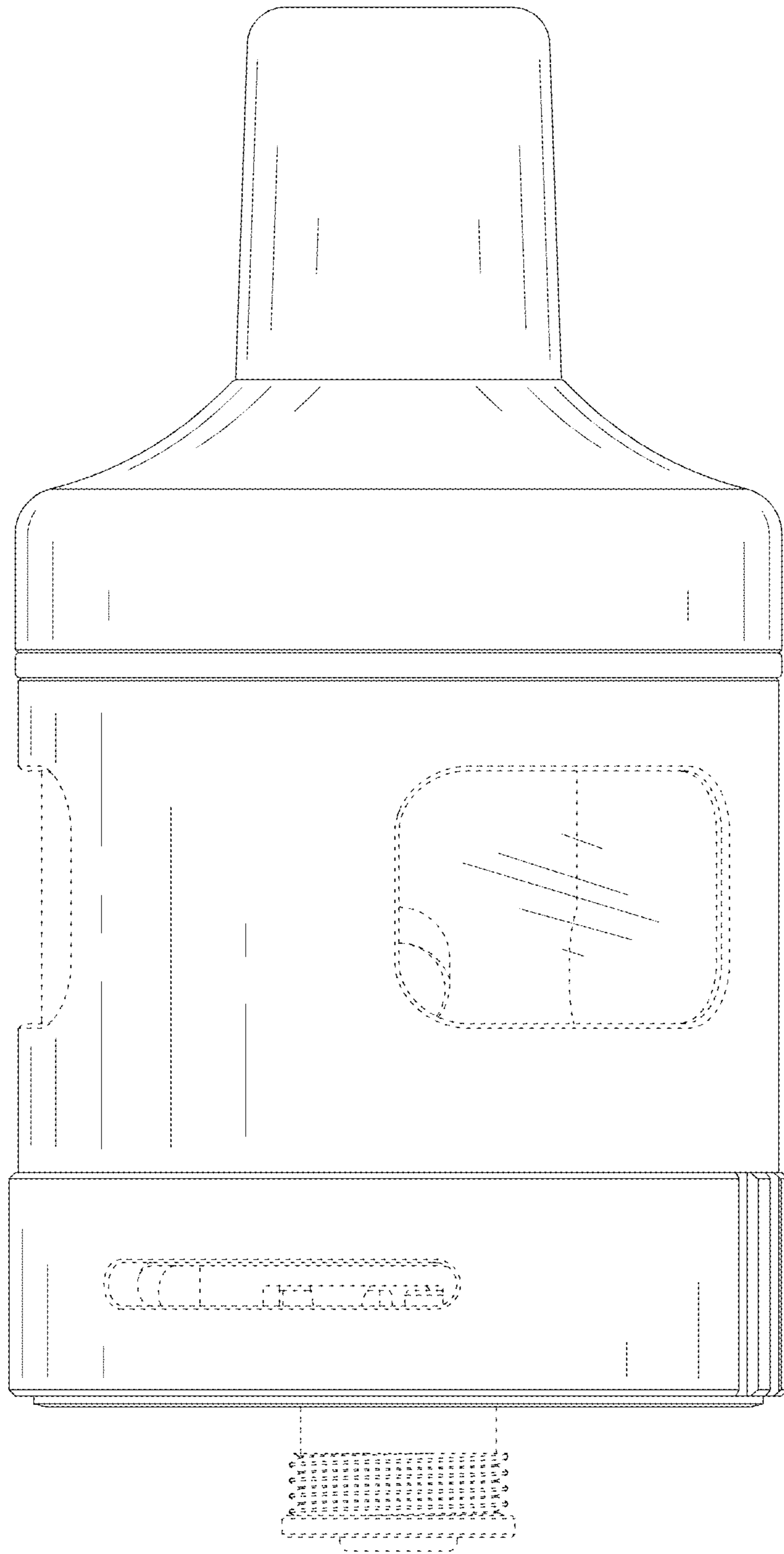


FIG. 14

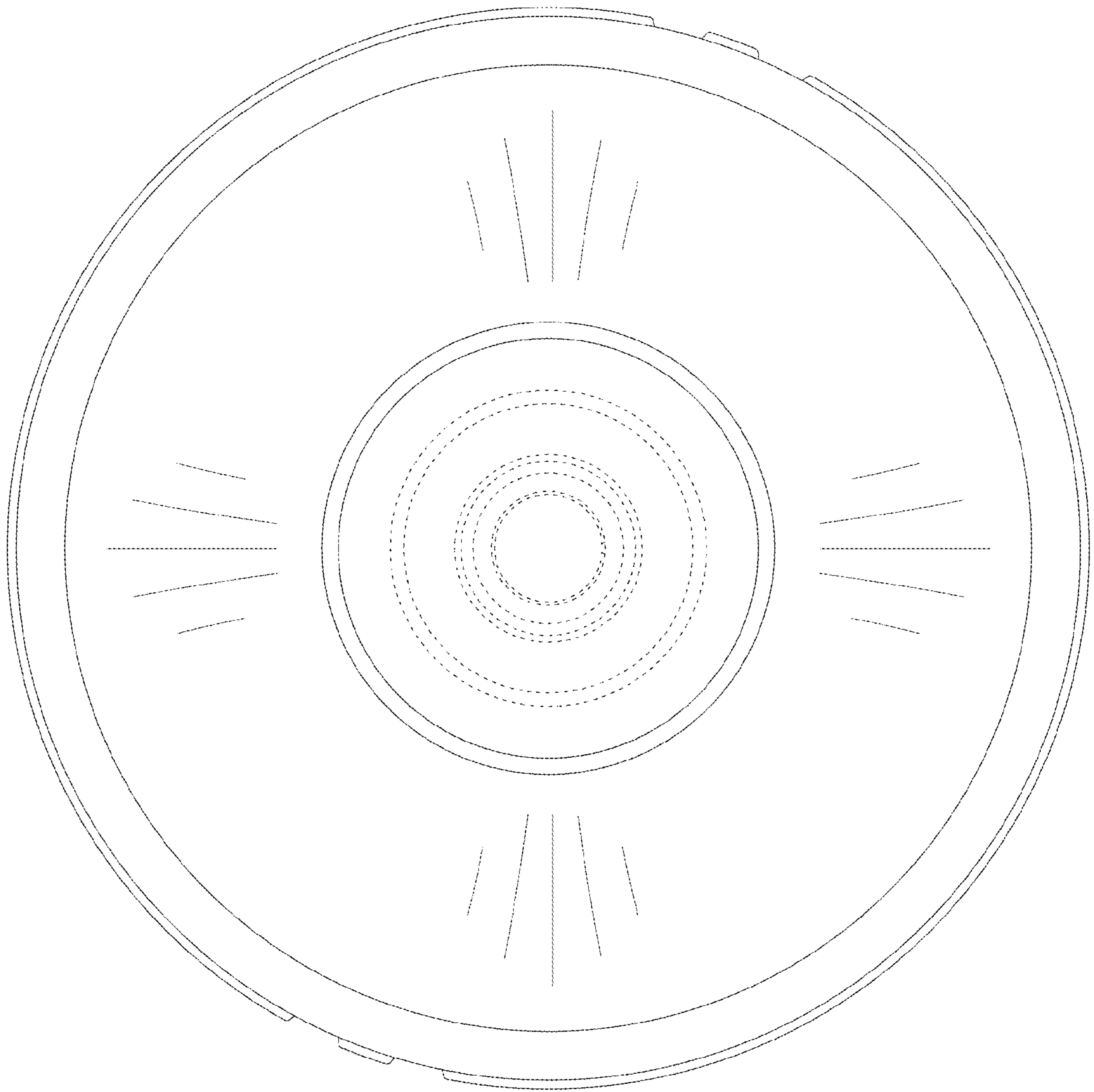


FIG. 15

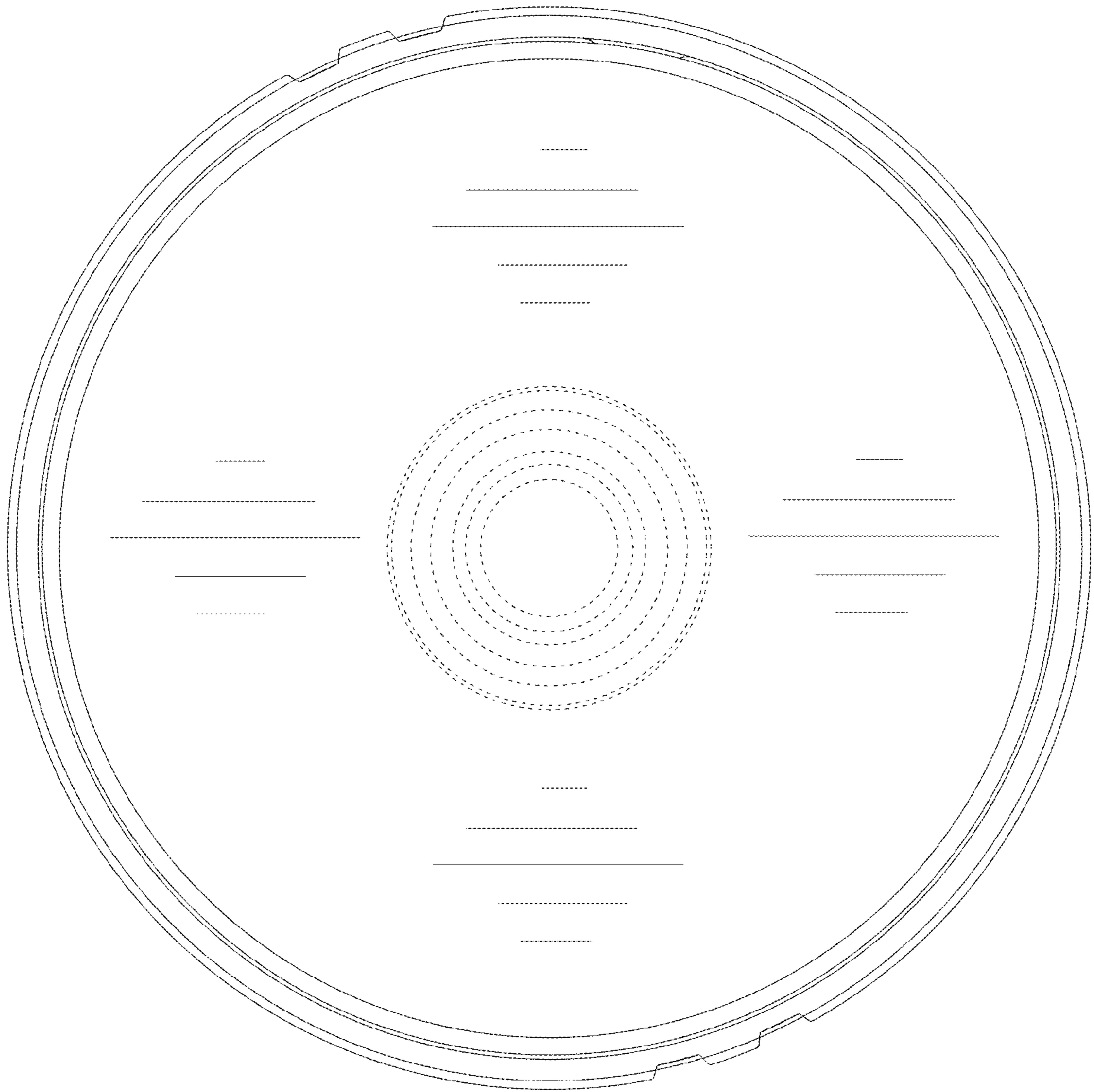


FIG. 16

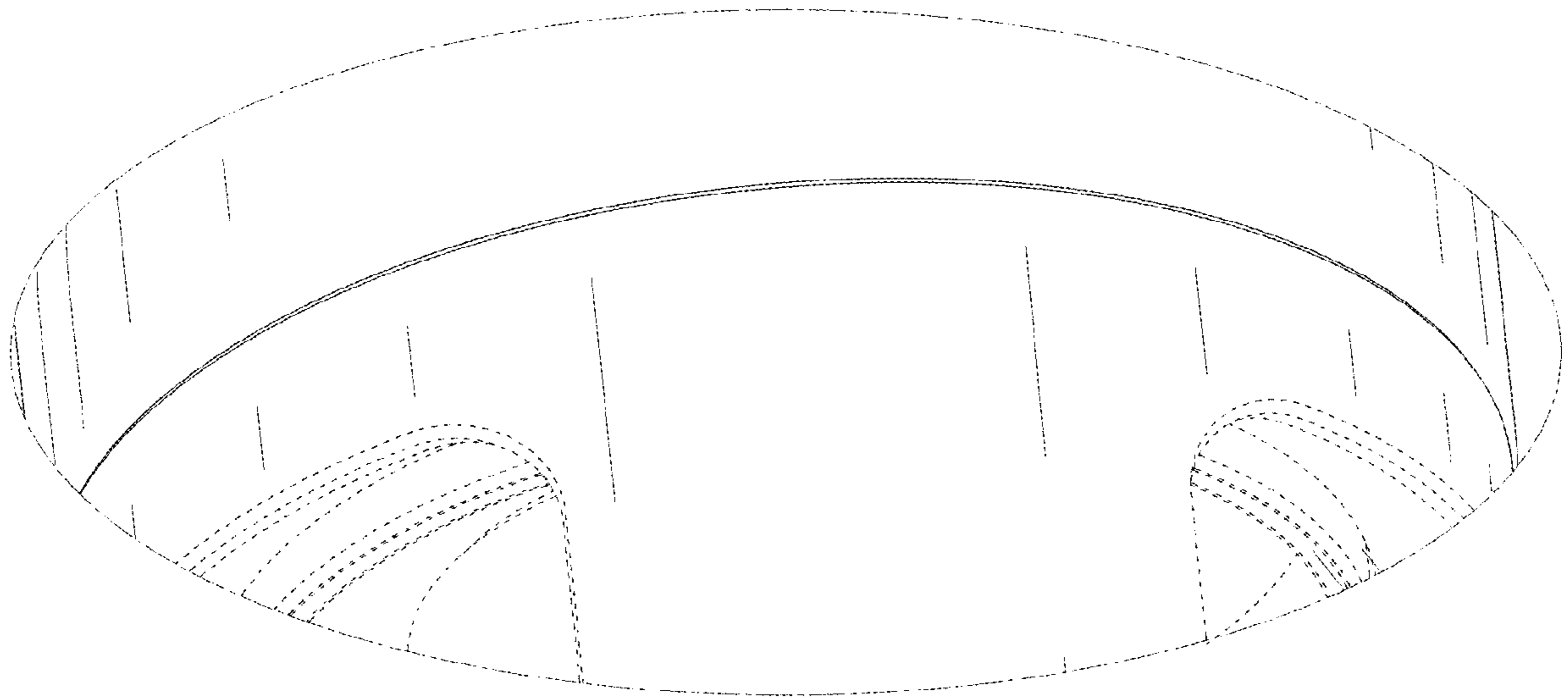


FIG. 17

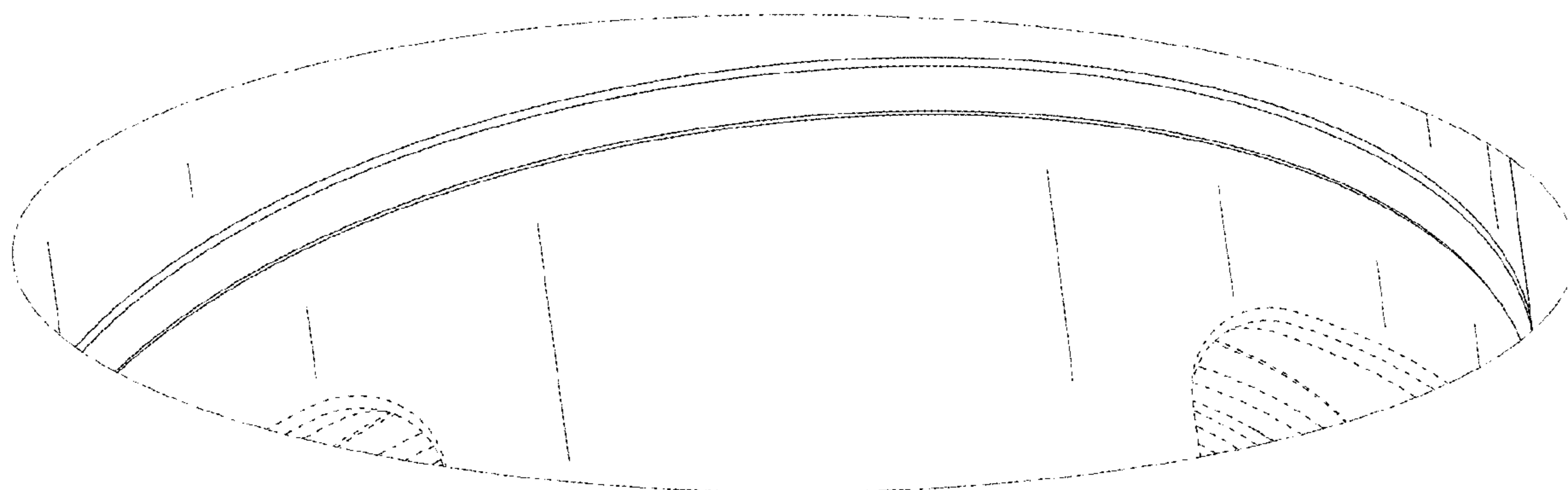


FIG. 18