

US00D934489S

(12) **United States Design Patent**
Trzesniowski

(10) **Patent No.:** **US D934,489 S**

(45) **Date of Patent:** **** Oct. 26, 2021**

(54) **EXTRUSION FOR LED-BASED LIGHTING APPARATUS**

(71) Applicant: **LEDsON Sp. ZOO, Sp.K.**, Blizne Laszczynskiego (PL)

(72) Inventor: **Slawomir Trzesniowski**, Warsaw (PL)

(**) Term: **15 Years**

(21) Appl. No.: **29/720,885**

(22) Filed: **Jan. 16, 2020**

(51) **LOC (13) Cl.** **26-05**

(52) **U.S. Cl.**
USPC **D26/141**

(58) **Field of Classification Search**
USPC D26/76, 78, 79, 80, 81, 82, 83, 85, 86, D26/88, 90, 113, 118, 119, 120, 121, 122, D26/138, 139, 140, 141, 142
CPC F21S 2/00; F21S 4/00; F21S 4/003; F21S 4/005; F21S 4/006; F21S 4/007; F21S 4/008; F21S 6/00; F21S 8/00; F21S 8/024; F21S 8/026; F21S 8/031; F21S 8/033; F21S 8/035-037; F21S 8/04; F21S 8/043; F21S 8/063

See application file for complete search history.

(56) **References Cited**

U.S. PATENT DOCUMENTS

D47,729 S	8/1915	Heulings, Jr.
D110,622 S	7/1938	Lowry
D141,049 S	5/1945	Ketchum, Jr.
D185,549 S	6/1959	Hallock
D191,162 S	8/1961	Miller
D191,906 S	12/1961	Jaffa
D199,024 S	9/1964	Huret
D201,986 S	8/1965	Wince
3,302,350 A	2/1967	Lee et al.
3,605,137 A	9/1971	Stollenwerk
D228,453 S	9/1973	Greer
D231,326 S	4/1974	Miki

D232,910 S	9/1974	Duperrex
D238,510 S	1/1976	Tabler
D243,675 S	3/1977	Dallaire
D243,685 S	3/1977	Dallaire
D245,273 S	8/1977	Pettersson
D245,756 S	9/1977	McKee
D249,366 S	9/1978	Jury
D251,444 S	3/1979	Bancroft et al.

(Continued)

FOREIGN PATENT DOCUMENTS

EM	001908617-0001	8/2011
EM	001950759-0001	11/2011

(Continued)

Primary Examiner — Michael C Stout
Assistant Examiner — Benjamin M Weeks
(74) *Attorney, Agent, or Firm* — Zane Coleman

(57) **CLAIM**

The ornamental design for an extrusion for LED-based lighting apparatus, as shown and described.

DESCRIPTION

FIG. 1 is a front-right side perspective view of an extrusion for LED-based lighting apparatus showing my new and original design;

FIG. 2 is a back-right side perspective view thereof;

FIG. 3 is a right side elevation view thereof, the left side elevation view is a mirror image of the right side;

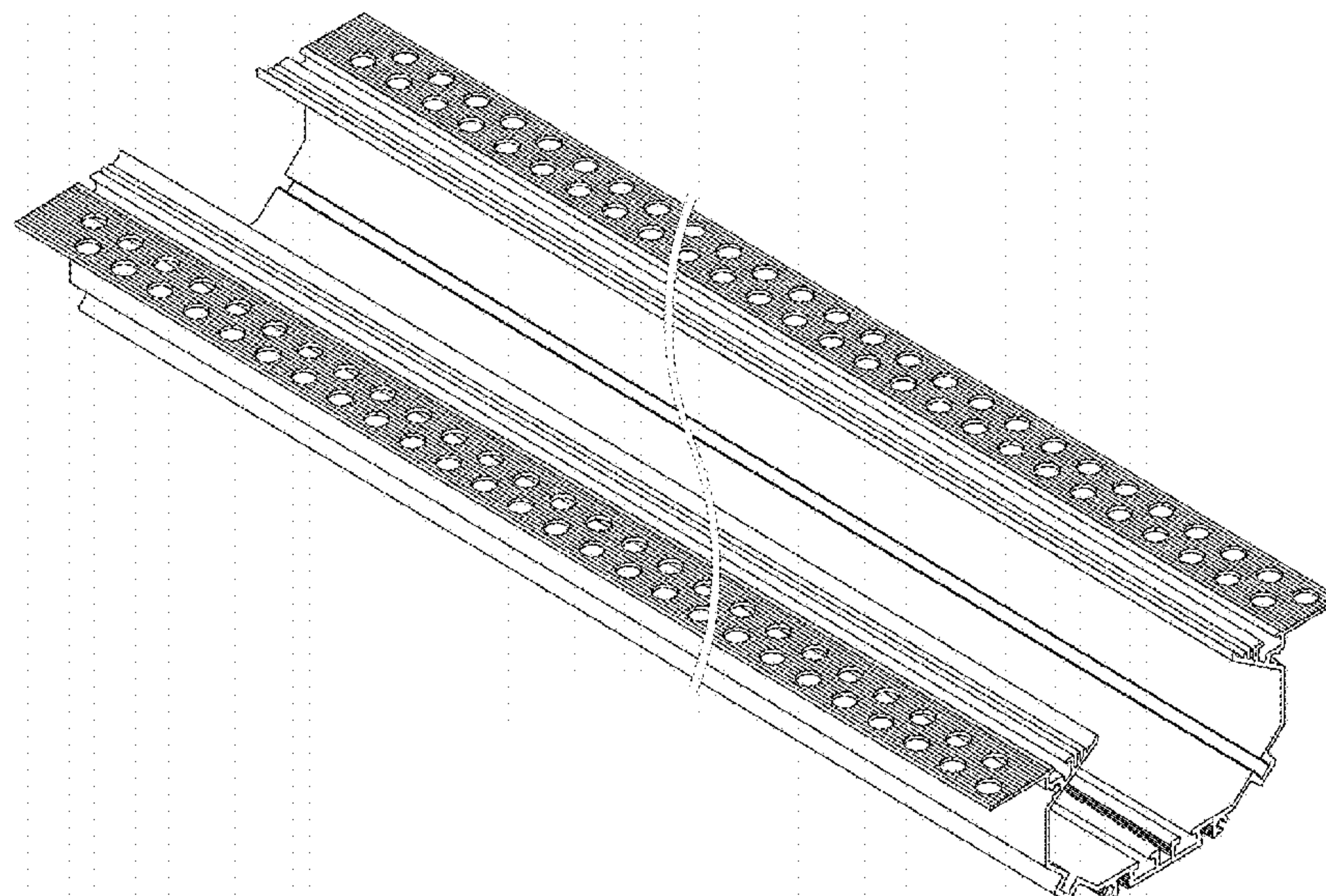
FIG. 4 is a front side elevation view thereof, the back side elevation view is a mirror image of the front side;

FIG. 5 is a top plan view thereof; and,

FIG. 6 is a bottom plan view thereof.

The broken break lines and brackets in the drawings form no part of the claimed design and indicate that the appearance of any portion of the extrusion for LED-based lighting apparatus between the break lines forms no part of the claimed design.

1 Claim, 5 Drawing Sheets



(56)

References Cited

U.S. PATENT DOCUMENTS

D251,445 S	3/1979	Bancroft et al.	D503,485 S	3/2005	Willman et al.
D251,446 S	3/1979	Bancroft et al.	D509,594 S	9/2005	Curtas et al.
D251,451 S	3/1979	Toder	7,034,227 B2	4/2006	Fox
D252,471 S	7/1979	Broadbent	D522,297 S	6/2006	Miller et al.
4,166,195 A	8/1979	Schwab	D534,790 S	1/2007	Garda
D258,538 S	3/1981	Cribben et al.	D541,953 S	5/2007	Deleu
D258,619 S	3/1981	Dallaire	D546,104 S	7/2007	Miller et al.
D265,035 S	6/1982	Fether et al.	D551,774 S	9/2007	Mcginness
D269,910 S	7/1983	Johansson	D552,259 S	10/2007	Allsopp
D283,446 S	4/1986	Burkinshaw	D554,422 S	11/2007	Lin
D286,194 S	10/1986	Bancroft	D557,429 S	12/2007	Bullock, Jr.
D290,404 S	6/1987	Stoler	D557,825 S	12/2007	Willman
D291,009 S	7/1987	Weilow	7,303,310 B2	12/2007	You et al.
D294,867 S	3/1988	Meshulam	D560,822 S	1/2008	Flehsig
D296,135 S *	6/1988	Dreiling D25/136	7,331,689 B2	2/2008	Chen
D299,273 S	1/1989	Pittman, Jr.	7,347,606 B1	3/2008	Patten
D301,304 S	5/1989	Will	D574,509 S	8/2008	Koch
D310,775 S	9/1990	Ruonala	D577,857 S	9/2008	Tress
D315,832 S	4/1991	Rocheleau et al.	D578,248 S	10/2008	Lee et al.
D317,513 S	6/1991	Miller et al.	D578,705 S	10/2008	Aberg et al.
5,040,347 A	8/1991	Valvis	D582,602 S	12/2008	Maxik
D320,902 S	10/1991	Leist	D587,731 S	3/2009	Niedermeyer
D325,095 S	3/1992	Dallaire et al.	D595,078 S	6/2009	Kollman et al.
D326,140 S	5/1992	Dekel	D595,984 S	7/2009	Kollman et al.
D326,724 S	6/1992	Boer	D598,574 S	8/2009	Bergmann
D328,139 S	7/1992	Boer	D599,387 S	9/2009	Chuo et al.
D329,707 S	9/1992	Embree et al.	D600,401 S	9/2009	Varrin
D335,353 S	5/1993	Baker	D600,484 S	9/2009	Anderson et al.
D337,257 S	7/1993	Danieli	D602,346 S	10/2009	Allsopp
D338,449 S	8/1993	Sahyoun	D606,793 S	12/2009	Allsopp
D342,579 S	12/1993	Mason	7,654,703 B2	2/2010	Kan et al.
D344,595 S	2/1994	Ehmke et al.	D611,169 S	3/2010	Harder
D345,268 S	3/1994	Pate	D616,035 S	5/2010	Kosir et al.
D348,940 S	7/1994	Clark et al.	D616,567 S	5/2010	Desrosiers et al.
D353,467 S	12/1994	Raynes	D616,946 S	6/2010	Garfinkle et al.
D356,645 S	3/1995	Boer	D621,090 S	8/2010	Klus
5,430,627 A	7/1995	Nagano	D621,091 S	8/2010	Klus
5,499,170 A	3/1996	Gagne	D621,961 S	8/2010	Gardner
D373,963 S	9/1996	Nagai et al.	7,766,505 B2	8/2010	Tseng et al.
D375,324 S	11/1996	Grass	D623,342 S	9/2010	Klus
D378,432 S	3/1997	Raynes	D623,343 S	9/2010	Klus
D379,237 S	5/1997	Leonelli	D625,463 S	10/2010	Klus
D379,524 S	5/1997	Leonelli	D625,588 S	10/2010	Norris et al.
D379,535 S	5/1997	Dallaire et al.	D626,839 S	11/2010	Gross et al.
D381,088 S	7/1997	DiGiorgio	7,857,482 B2	12/2010	Reo et al.
D384,471 S	9/1997	Kubsik et al.	D631,171 S	1/2011	Konrad
D389,460 S	1/1998	Wei-Hong	D634,063 S	3/2011	Peifer
D393,083 S	3/1998	Caltrider	D634,876 S	3/2011	Mcgrath
5,724,909 A	3/1998	Pitman et al.	D639,098 S	6/2011	Bosgoed
D397,231 S	8/1998	Saxer	D639,144 S	6/2011	Schaefer et al.
D417,607 S	12/1999	Vining	D641,101 S	7/2011	Radchenko et al.
D424,213 S	5/2000	Chaney et al.	D641,923 S	7/2011	Radchenko et al.
6,074,074 A	6/2000	Marcus	D649,680 S	11/2011	Trzesniowski
6,107,576 A	8/2000	Morton et al.	D649,681 S	11/2011	Trzesniowski
D432,672 S	10/2000	Grosfillex	D649,682 S	11/2011	Trzesniowski
D437,944 S	2/2001	Neuhofer, Jr.	D649,683 S	11/2011	Trzesniowski
D441,879 S	5/2001	Habeck et al.	D649,684 S	11/2011	Trzesniowski
D443,198 S	6/2001	Snyder	D649,685 S	11/2011	Trzesniowski
D445,211 S	7/2001	Baker	D649,686 S	11/2011	Trzesniowski
6,276,634 B1	8/2001	Bodle	D649,687 S	11/2011	Trzesniowski
6,302,560 B1	10/2001	Lai	D649,688 S	11/2011	Trzesniowski
D450,234 S	11/2001	Bosgoed	D649,689 S	11/2011	Trzesniowski
D453,971 S	2/2002	Baker	D649,690 S	11/2011	Trzesniowski
6,361,186 B1	3/2002	Slayden	D649,691 S	11/2011	Trzesniowski
D455,634 S	4/2002	Hummel et al.	D649,692 S	11/2011	Trzesniowski
6,385,047 B1	5/2002	Mccullough et al.	D649,693 S	11/2011	Trzesniowski
D471,994 S	3/2003	Chaney et al.	D651,739 S	1/2012	Trzesniowski
6,554,446 B1	4/2003	Walsh et al.	D652,568 S	1/2012	Trzesniowski
D482,405 S	11/2003	Mcilvaine	D652,569 S	1/2012	Trzesniowski
D483,443 S	12/2003	Forsberg	D652,985 S	1/2012	Trzesniowski
6,659,623 B2	12/2003	Friend	D652,986 S	1/2012	Trzesniowski
D486,340 S	2/2004	Sudano	D662,256 S	6/2012	Klus
D489,463 S	5/2004	Barnett	D662,653 S	6/2012	Hochman
D489,830 S	5/2004	Barnett	D666,328 S	8/2012	Morton
D497,758 S	11/2004	Goldberg	D666,329 S	8/2012	Morton
			D693,052 S	11/2013	Klus
			D695,955 S	12/2013	Klus
			D698,075 S	1/2014	Klus
			D698,076 S	1/2014	Klus

(56)

References Cited

U.S. PATENT DOCUMENTS

D702,875 S 4/2014 Klus
 D705,982 S 5/2014 Klus
 D705,983 S 5/2014 Klus
 D715,994 S 10/2014 Klus
 D724,256 S 3/2015 Klus
 D724,259 S 3/2015 Klus
 D724,260 S 3/2015 Klus
 D729,423 S * 5/2015 Noh D26/24
 D731,704 S 6/2015 Klus
 D733,353 S 6/2015 Klus
 D733,354 S 6/2015 Klus
 D733,355 S 6/2015 Klus
 D757,993 S 5/2016 Klus
 D775,409 S 12/2016 Klus
 D775,410 S 12/2016 Klus
 D780,371 S * 2/2017 Nanni D26/142
 D782,104 S 3/2017 Klus
 D782,105 S 3/2017 Klus
 D782,107 S 3/2017 Klus
 D785,229 S * 4/2017 Noh D26/76
 D793,617 S * 8/2017 Trzcielinski D26/118
 D796,110 S * 8/2017 Klus D26/138
 D796,111 S * 8/2017 Trzcielinski D26/142
 D798,471 S 9/2017 Tremaine et al.
 D799,065 S * 10/2017 Tremaine D25/119
 D799,066 S 10/2017 Tremaine et al.
 D799,720 S 10/2017 Tress et al.
 D806,937 S 1/2018 Klus
 D806,939 S 1/2018 Klus
 D807,570 S 1/2018 Klus
 D807,572 S 1/2018 Klus
 D808,577 S 1/2018 Klus
 D808,579 S 1/2018 Klus
 D809,675 S 2/2018 Singh
 D809,704 S 2/2018 Klus
 D817,534 S * 5/2018 Noh D26/76
 D818,186 S 5/2018 Trzesniowski
 D818,187 S 5/2018 Trzesniowski
 D818,188 S 5/2018 Trzesniowski
 D818,189 S 5/2018 Trzesniowski
 D818,190 S 5/2018 Trzesniowski
 D818,191 S 5/2018 Trzesniowski
 D818,193 S 5/2018 Trzesniowski

D818,194 S 5/2018 Trzesniowski
 D847,394 S * 4/2019 Reynolds D26/76
 D850,707 S * 6/2019 Tremaine D26/138
 D869,081 S * 12/2019 Trzcielinski D26/138
 D872,931 S * 1/2020 Tremaine D26/138
 D877,399 S * 3/2020 Patti D26/118
 D891,688 S * 7/2020 Tremaine D26/138
 D891,689 S * 7/2020 Trzcielinski D26/138
 D901,066 S * 11/2020 Trzcielinski D26/138
 D916,359 S * 4/2021 Roys D26/138
 2003/0163967 A1 9/2003 Sims
 2004/0076004 A1 4/2004 Smith, Jr.
 2006/0191101 A1 8/2006 Elmer
 2008/0030981 A1 2/2008 Mrakovich et al.
 2009/0207602 A1 8/2009 Reed et al.
 2009/0219713 A1 9/2009 Siemiet et al.
 2012/0092875 A1 * 4/2012 Cho F21S 2/005
 362/311.01

FOREIGN PATENT DOCUMENTS

EM 002014126-0001 3/2012
 EM 002014126-0002 3/2012
 EM 002049700-0001 5/2012
 EM 002049700-0002 5/2012
 EM 002049700-0003 5/2012
 EM 002049700-0004 5/2012
 EM 002049700-0005 5/2012
 EM 002049700-0006 5/2012
 EM 002502724-0001 7/2014
 EM 002502724-0002 7/2014
 EM 002502724-0003 7/2014
 EM 002502724-0004 7/2014
 EM 002502724-0005 7/2014
 EM 002502724-0006 7/2014
 EM 002579565-0001 11/2014
 EM 002579565-0002 11/2014
 EM 002579565-0003 11/2014
 EM 002802140-0001 9/2015
 EM 002802140-0002 9/2015
 EM 002802140-0003 9/2015
 EM 002802140-0004 9/2015
 EM 002802140-0005 9/2015
 EM 002802140-0006 9/2015

* cited by examiner

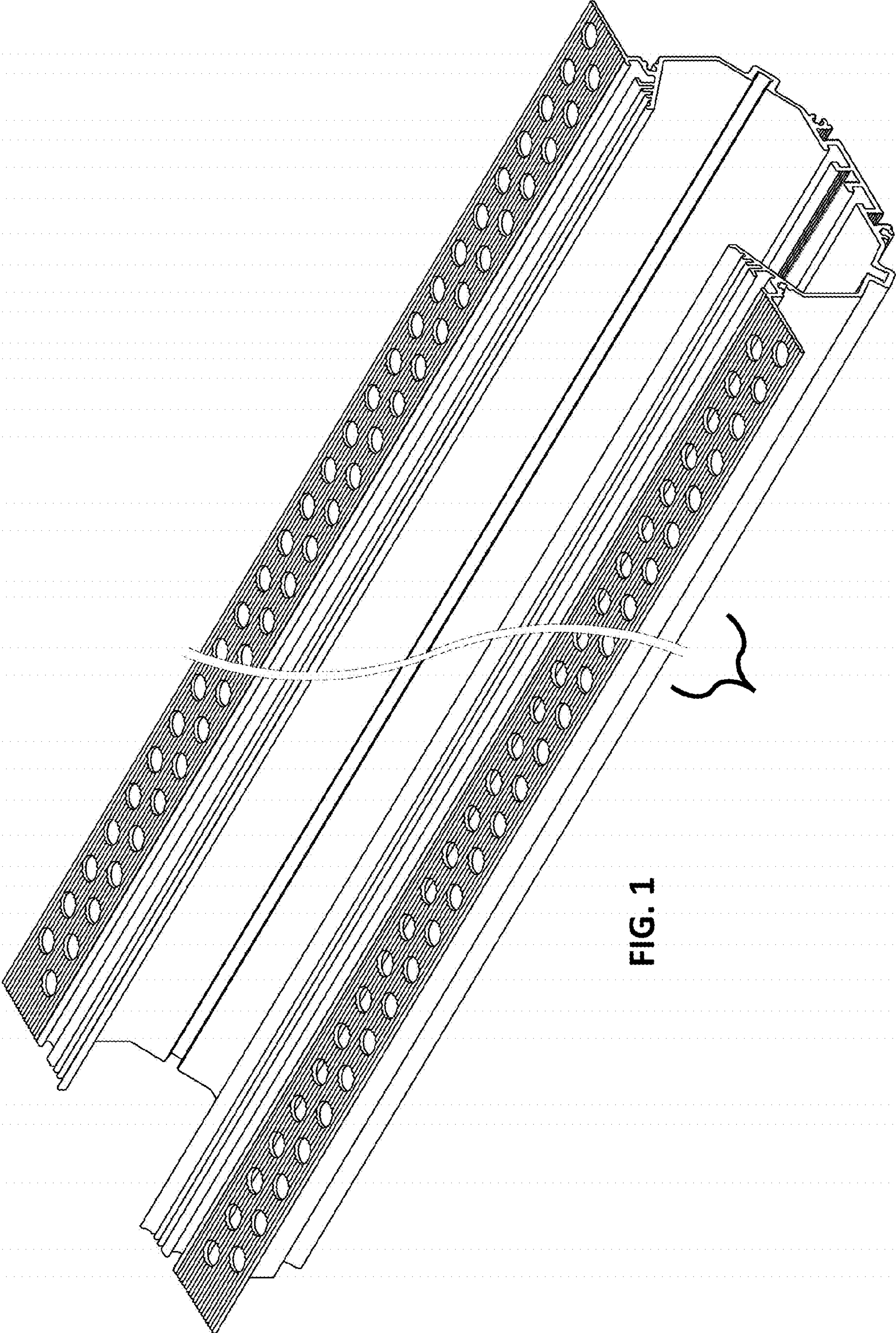


FIG. 1

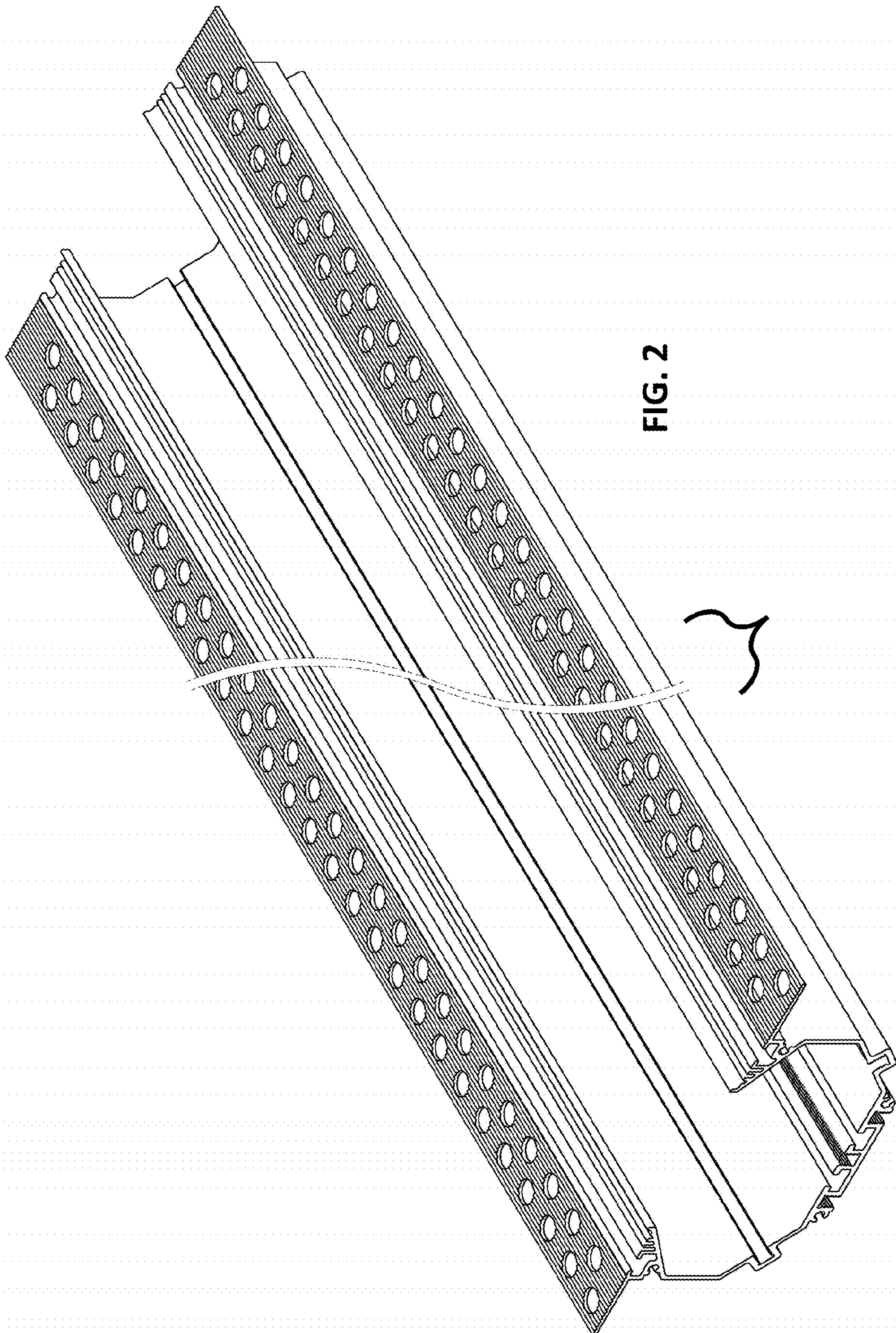


FIG. 2

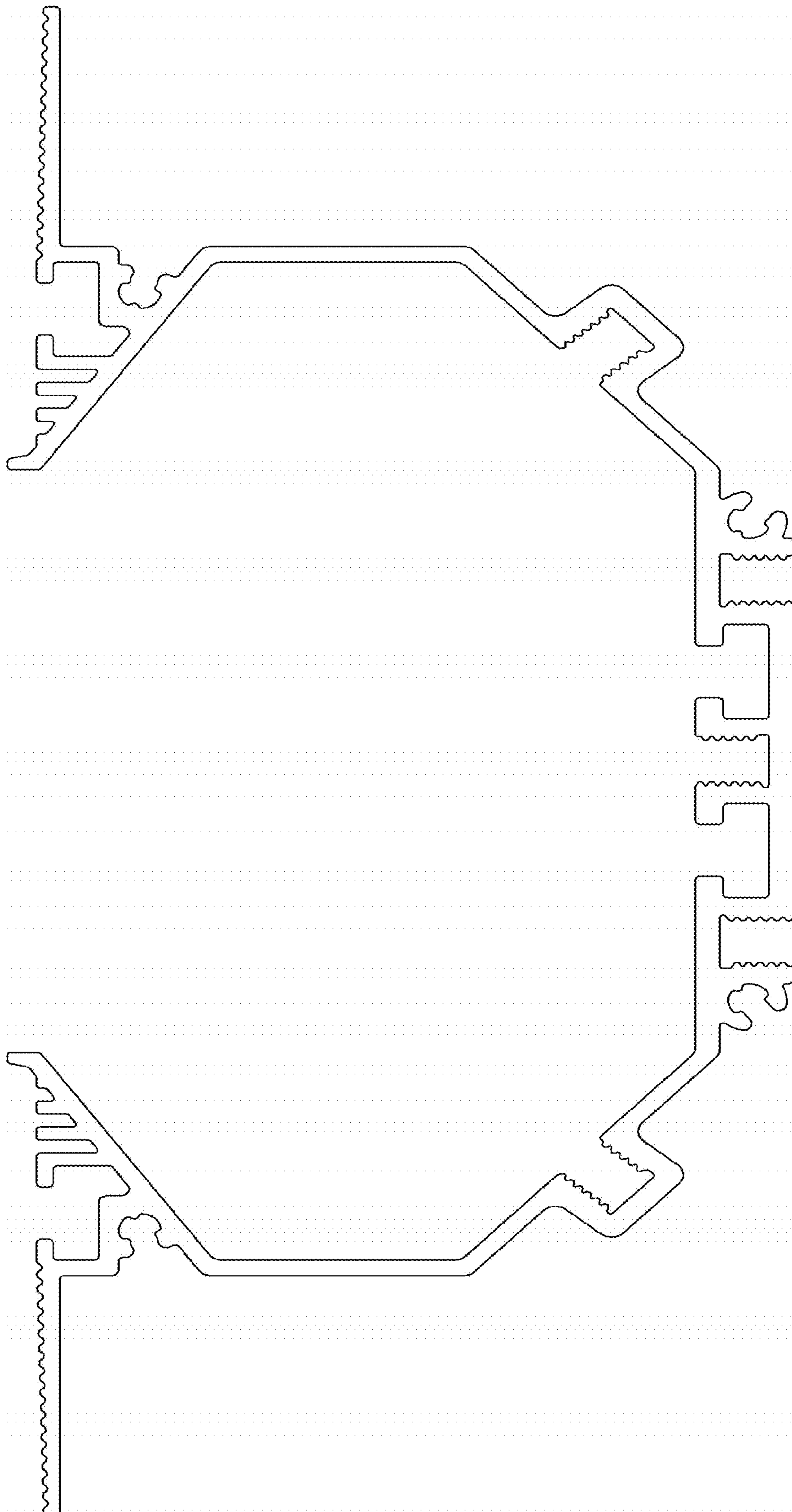


FIG. 3

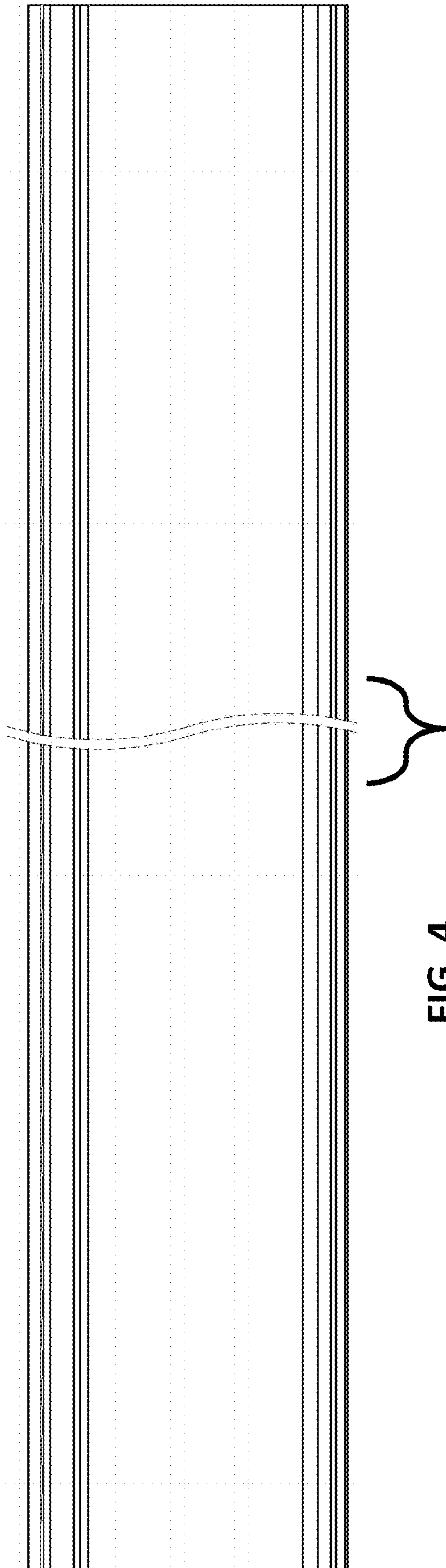


FIG. 4

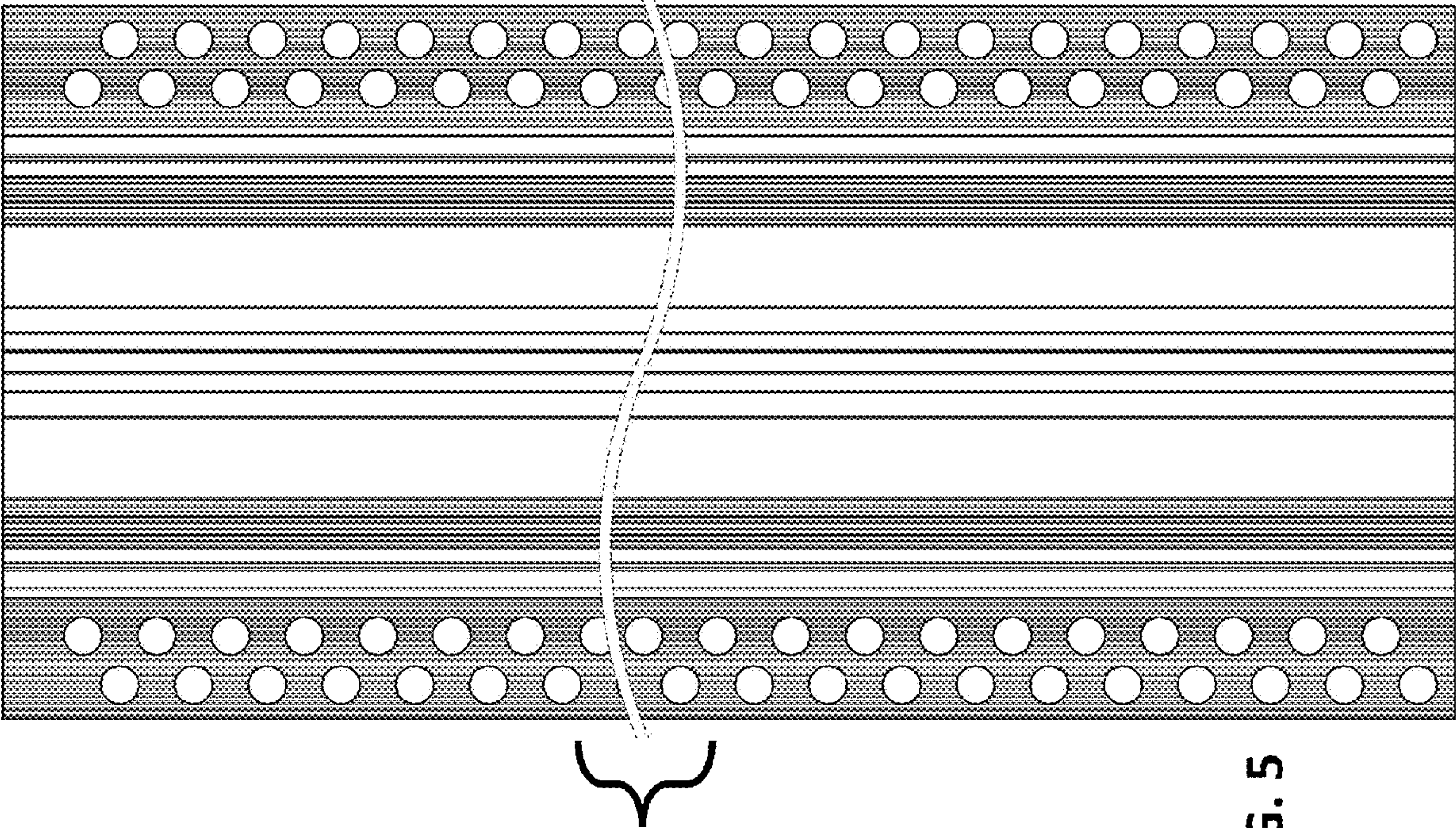
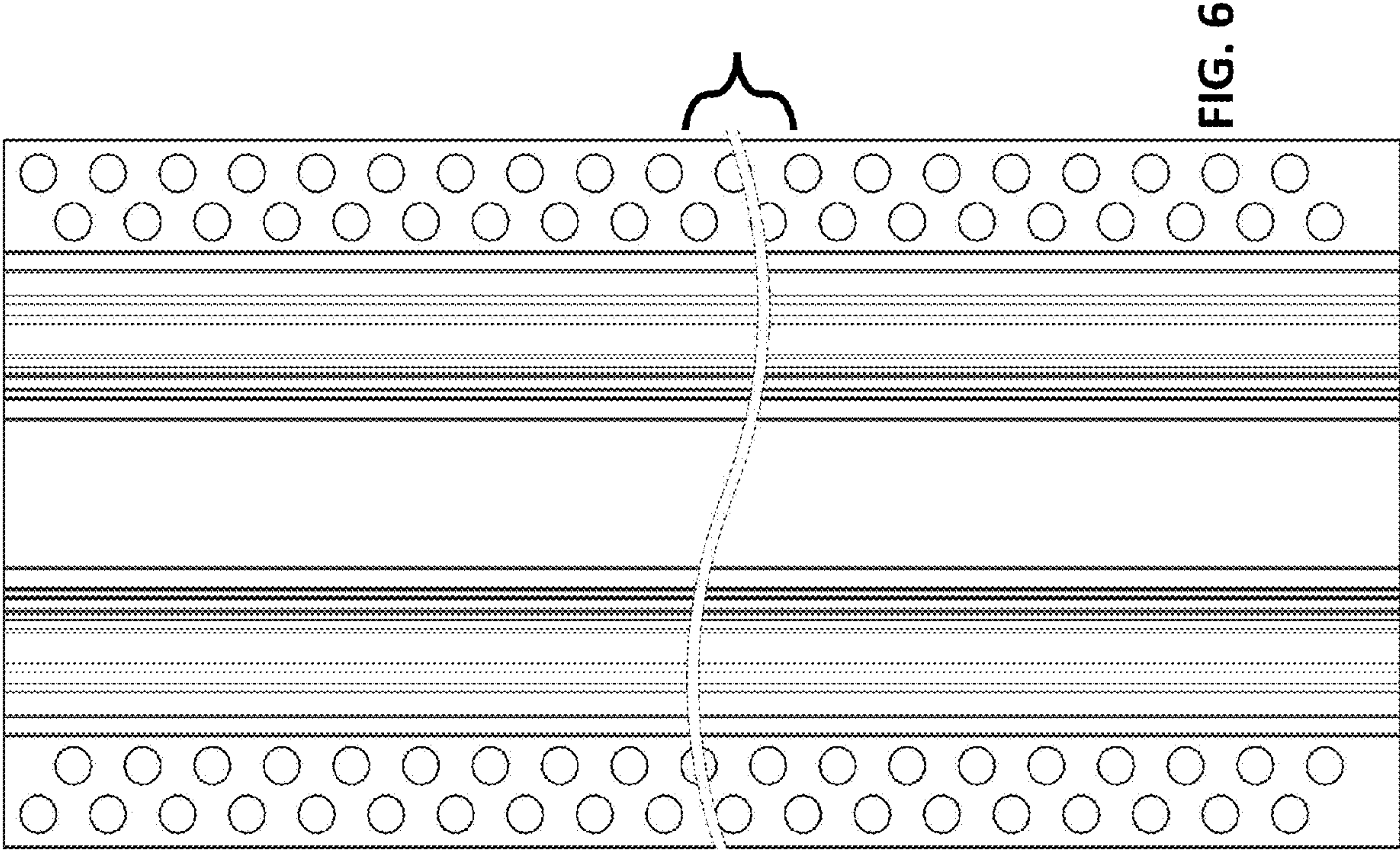


FIG. 6

FIG. 5