



US00D934488S

(12) **United States Design Patent** (10) **Patent No.:** **US D934,488 S**
Wang-Munson et al. (45) **Date of Patent:** **** Oct. 26, 2021**

(54) **MULTI-PANEL EDGELIT LUMINAIRE**

(71) Applicant: **RAB Lighting Inc.**, Northvale, NJ (US)

(72) Inventors: **Dan Wang-Munson**, Bergenfield, NJ (US); **Wengang Gao**, Ningbo (CN); **Cecil Thomas**, Demarest, NJ (US); **Mario A. Turchi**, Tenafly, NJ (US); **Steven Madsen**, New York, NY (US)

(73) Assignee: **RAB Lighting Inc.**, Northvale, NJ (US)

(**) Term: **15 Years**

(21) Appl. No.: **29/725,822**

(22) Filed: **Feb. 27, 2020**

(51) **LOC (13) Cl.** **26-05**

(52) **U.S. Cl.**
USPC **D26/118**

(58) **Field of Classification Search**
USPC D26/24, 72, 76, 81, 83, 88, 109, 118,
D26/119, 120, 136

(Continued)

(56) **References Cited**

U.S. PATENT DOCUMENTS

D544,992 S * 6/2007 Mayfield, III D26/118
D545,992 S * 7/2007 Mayfield, III D26/118

(Continued)

OTHER PUBLICATIONS

Samjin LED Lighting; LED Retrofit Kit Installation Guide; Jun. 14, 2019.

(Continued)

Primary Examiner — Wan Laymon
Assistant Examiner — Clint A Samuel

(74) *Attorney, Agent, or Firm* — Frost Brown Todd LLC;
Dennis S. Schell; Kevin C. Oschman

(57) **CLAIM**

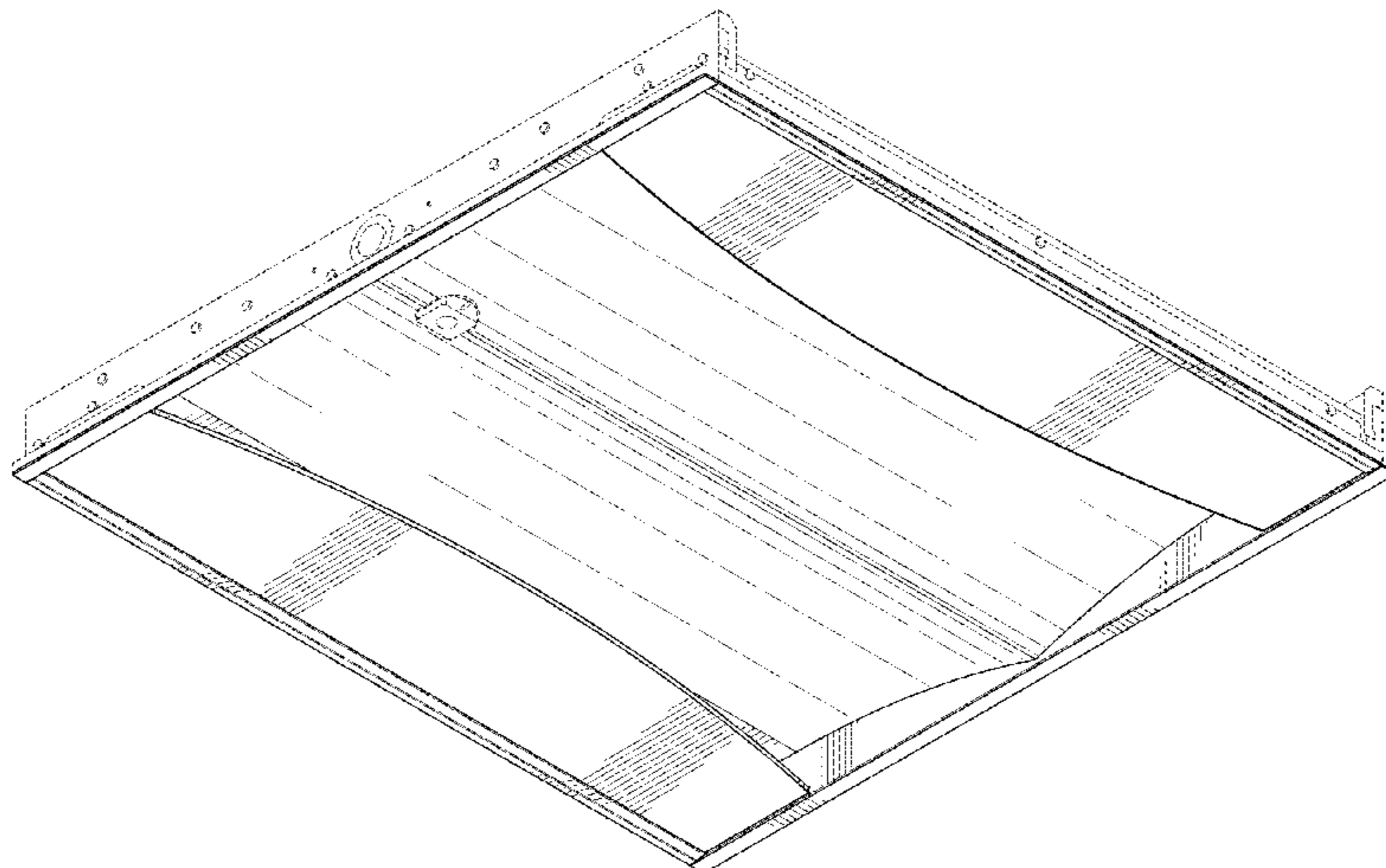
The ornamental design for a multi-panel edgelit luminaire, as shown and described.

DESCRIPTION

FIG. 1 is a lower perspective view of the front-left side of a first embodiment of the multi-panel edgelit luminaire; FIG. 2 is a lower perspective view of the rear-right side of the first embodiment thereof; FIG. 3 is an upper perspective view of the front-left side of the first embodiment thereof; FIG. 4 is a bottom plan view of the first embodiment thereof; FIG. 5 is a top plan view of the first embodiment thereof; FIG. 6 is a front elevational view of the first embodiment thereof; FIG. 7 is a right-side elevational view of the first embodiment thereof; FIG. 8 is a lower perspective view of the front-left side of a second embodiment of the multi-panel edgelit luminaire; FIG. 9 is a lower perspective view of the rear-right side of the second embodiment thereof; FIG. 10 is an upper perspective view of the front-left side of the second embodiment thereof; FIG. 11 is a bottom plan view of the second embodiment thereof; FIG. 12 is a top plan view of the second embodiment thereof; FIG. 13 is a front elevational view of the second embodiment thereof; and, FIG. 14 is a right-side elevational view of the second embodiment thereof.

The broken lines shown in the drawings are for the purposes of illustrating portions of the article that form no part of the claimed design. The rear elevational view of the first embodiment of the multi-panel edgelit luminaire is a mirror image of the front elevational view of the first embodiment thereof, and the left-side elevational view of the first embodiment thereof is a mirror image of the right-side elevational view of the first embodiment thereof. Additionally, the rear elevational view of the second embodiment of the Multi-Panel Edgelit Luminaire is a mirror image of the front elevational view of the second embodiment thereof, and the left-side elevational view of the second embodiment

(Continued)



thereof is a mirror image of the right-side elevational view of the second embodiment thereof.

1 Claim, 12 Drawing Sheets

(58) Field of Classification Search

CPC F21S 8/00; F21S 8/04; F21S 8/06; F21S 8/036; F21S 8/043; F21S 8/046; F21V 21/00; F21V 21/02; F21V 21/005; F21V 21/116; F21Y 2115/10; F21Y 2105/00; F21Y 2105/16

See application file for complete search history.

(56) References Cited

U.S. PATENT DOCUMENTS

D545,993 S * 7/2007 Mayfield, III D26/118
 D572,858 S * 7/2008 Santoro D26/120
 D608,490 S * 1/2010 Chung D26/118
 D608,932 S * 1/2010 Castelli D26/76
 D617,487 S * 6/2010 Fowler, Jr. D26/76
 D633,243 S * 2/2011 Call D26/72
 D653,376 S * 1/2012 Kong D26/76
 D672,912 S * 12/2012 Mayfield, III D26/120
 D678,597 S * 3/2013 Lehman D26/120
 D699,386 S * 2/2014 Park D26/118
 D716,995 S * 11/2014 Zhu D26/122
 9,039,251 B2 * 5/2015 Howe F21V 17/101
 362/329
 D739,593 S * 9/2015 Mayfield, III D26/118
 D739,977 S * 9/2015 Boyer D26/74
 D743,618 S * 11/2015 Martins D26/118
 D752,803 S * 3/2016 Reyes D26/118
 9,518,722 B1 12/2016 Lehman et al.
 D786,477 S * 5/2017 Lauderdale D26/76
 D810,998 S * 2/2018 DiFelice D26/118
 D819,861 S * 6/2018 Scribante D26/76
 D819,875 S * 6/2018 Yorio D26/118
 D820,498 S * 6/2018 Agro D26/76
 10,036,514 B2 7/2018 Scribante et al.
 D825,827 S * 8/2018 Stanley D26/118
 D825,828 S * 8/2018 Reynolds D26/118

D836,826 S * 12/2018 Parker D26/118
 D838,406 S * 1/2019 Parker D26/118
 D842,533 S * 3/2019 DiFelice D26/118
 D857,285 S * 8/2019 Reynolds D26/118
 D862,787 S * 10/2019 Rashidi Doust D26/120
 D863,657 S * 10/2019 Zaderej D26/118
 D865,271 S * 10/2019 Parker D26/118
 D865,272 S * 10/2019 DiFelice D26/118
 D869,047 S * 12/2019 Bao D26/76
 D877,964 S * 3/2020 Antony D26/118
 10,578,295 B2 * 3/2020 Scribante F21K 9/278
 D881,445 S * 4/2020 Reynolds D26/118
 D884,257 S * 5/2020 DiFelice D26/118
 D890,408 S * 7/2020 Deng D26/118
 D893,076 S * 8/2020 Liu D26/76
 D893,077 S * 8/2020 Liu D26/76
 D893,078 S * 8/2020 Liu D26/76
 D897,028 S * 9/2020 Reynolds D26/118
 D898,977 S * 10/2020 Camillo D26/76
 D908,271 S * 1/2021 Hawthorne D26/120
 D910,222 S * 2/2021 Zhang D26/72
 D912,876 S * 3/2021 Ho D26/76
 D917,762 S * 4/2021 Zhou D26/76
 2005/0135115 A1 6/2005 Lamb et al.
 2011/0043132 A1 * 2/2011 Kim F21V 7/005
 315/294
 2012/0300471 A1 11/2012 Howe
 2014/0003028 A1 * 1/2014 Kim F21S 8/04
 362/84
 2014/0146542 A1 5/2014 Seward et al.
 2014/0313776 A1 10/2014 Grigore
 2016/0369951 A1 12/2016 Liu et al.
 2016/0377238 A1 12/2016 Scribante et al.
 2021/0041088 A1 * 2/2021 Amin F21V 23/008
 2021/0131627 A1 * 5/2021 Luo H05B 45/52

OTHER PUBLICATIONS

RAB Lighting Inc.; Rail 400W High Bay; Product Data Sheet; Jul. 23, 2015.
 RAB Lighting Inc.; SWISH LED Center Basket; Product Data Sheet; May 17, 2016.
 Orgatech; Prisma 3100 Indoor LED Product Data Sheet; Nov. 2018.

* cited by examiner

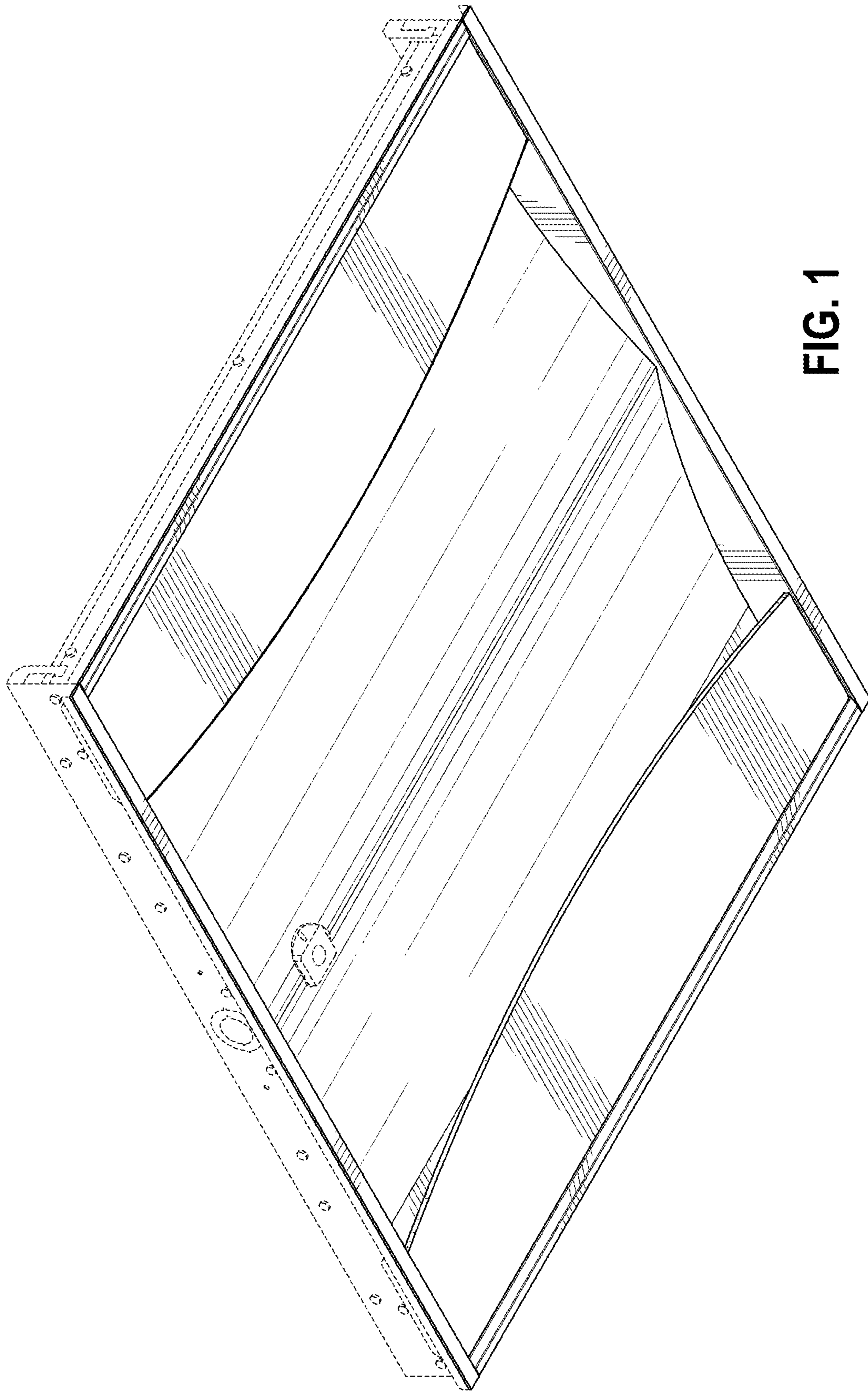


FIG. 1

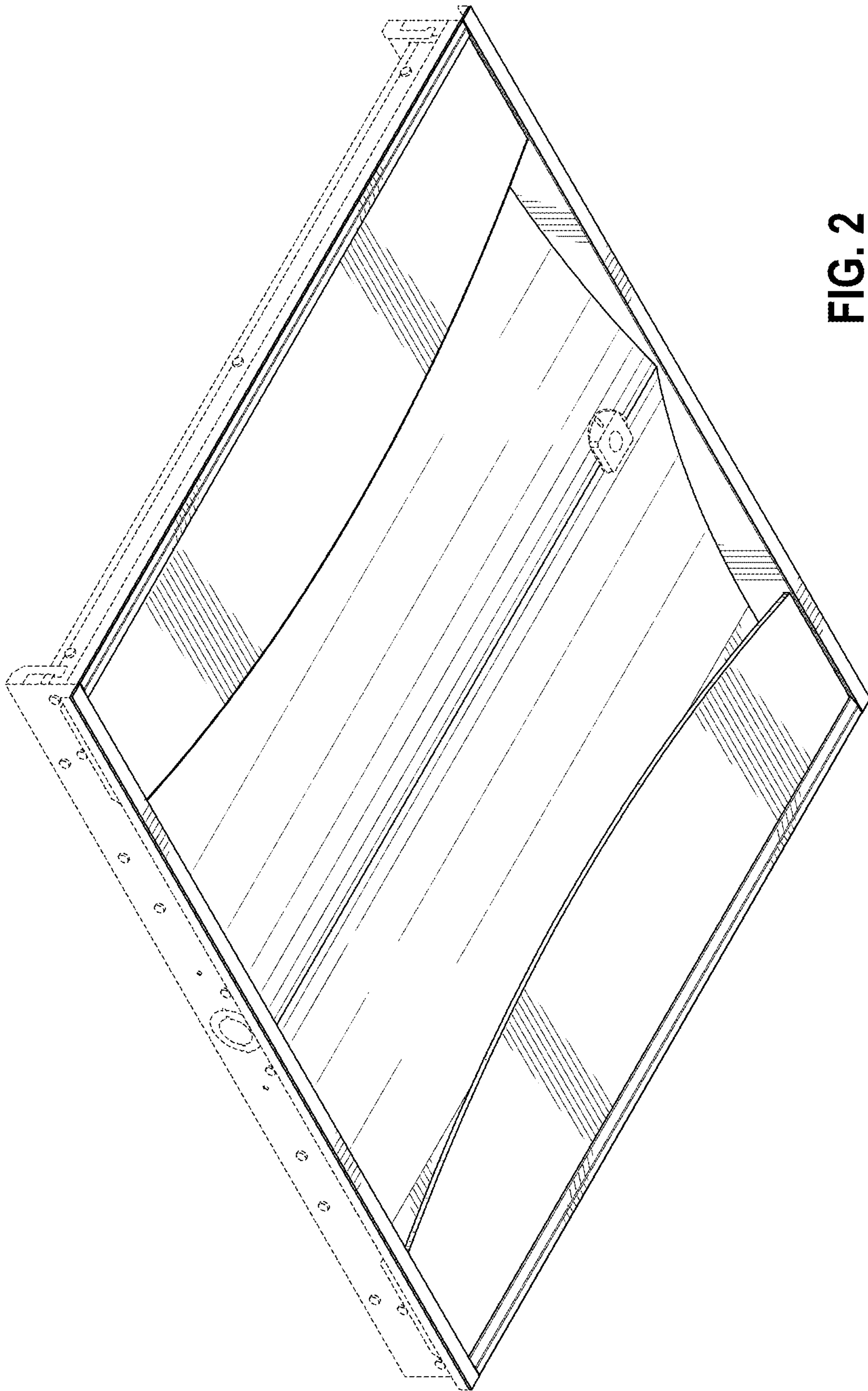


FIG. 2

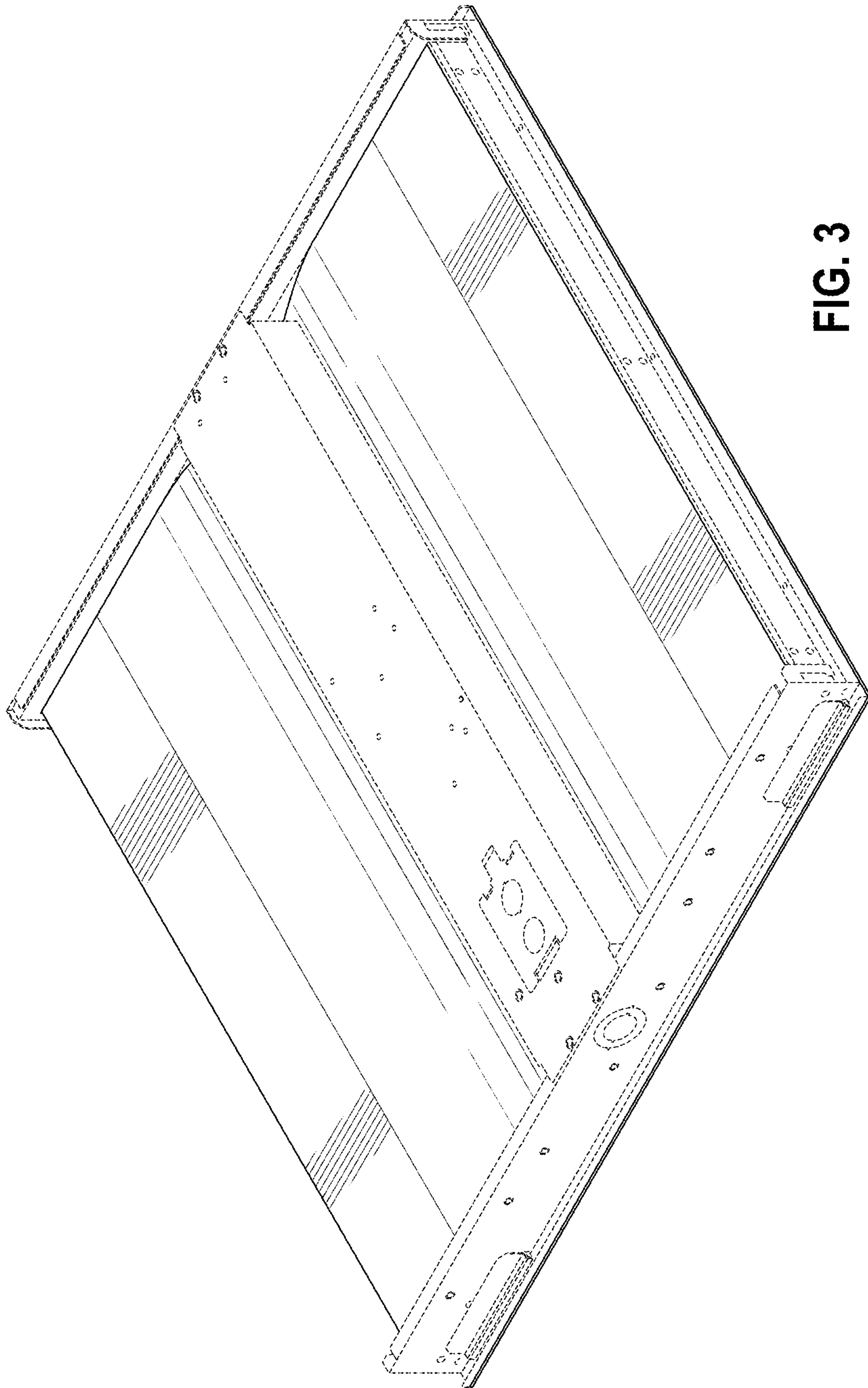


FIG. 3

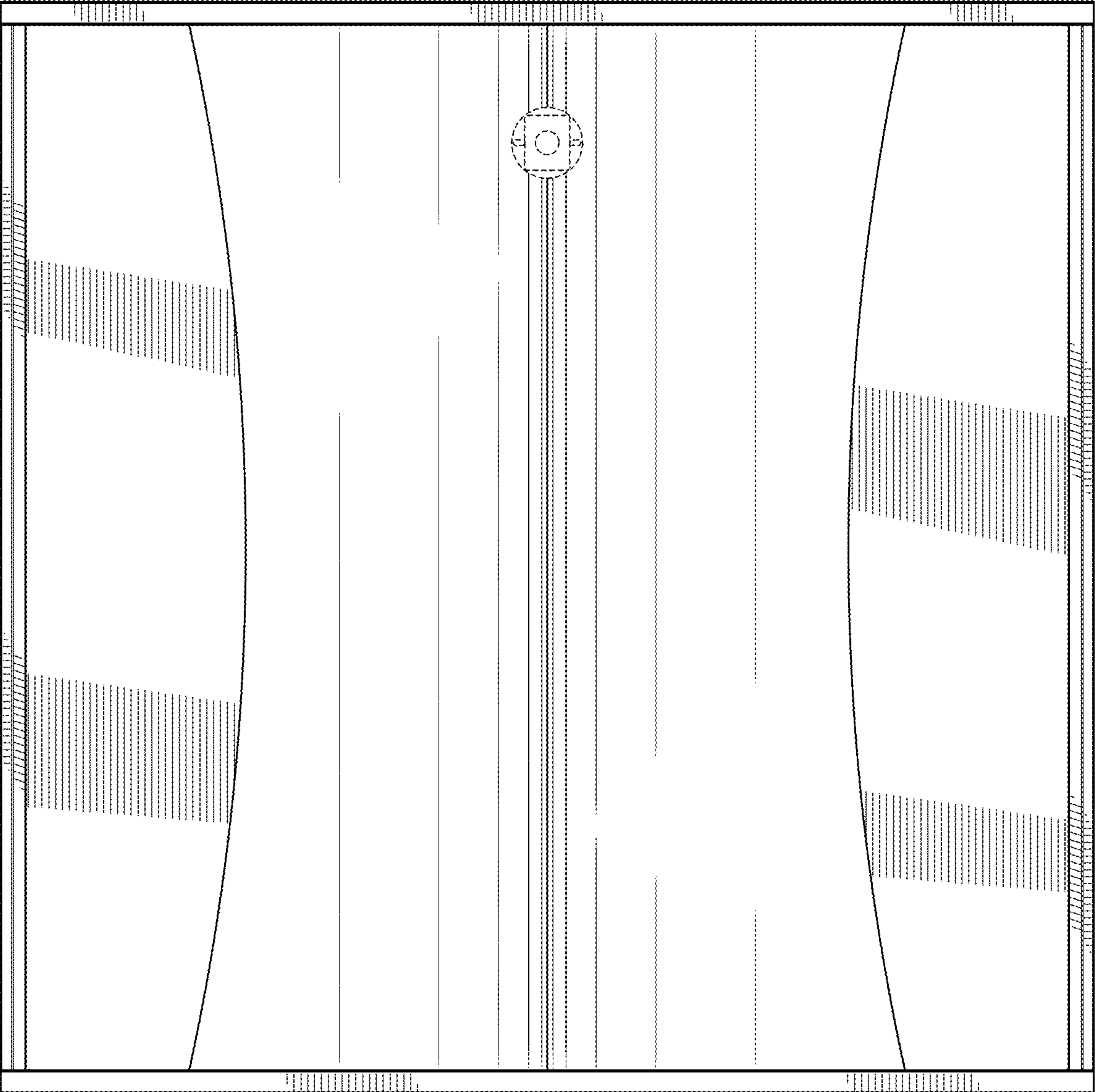


FIG. 4

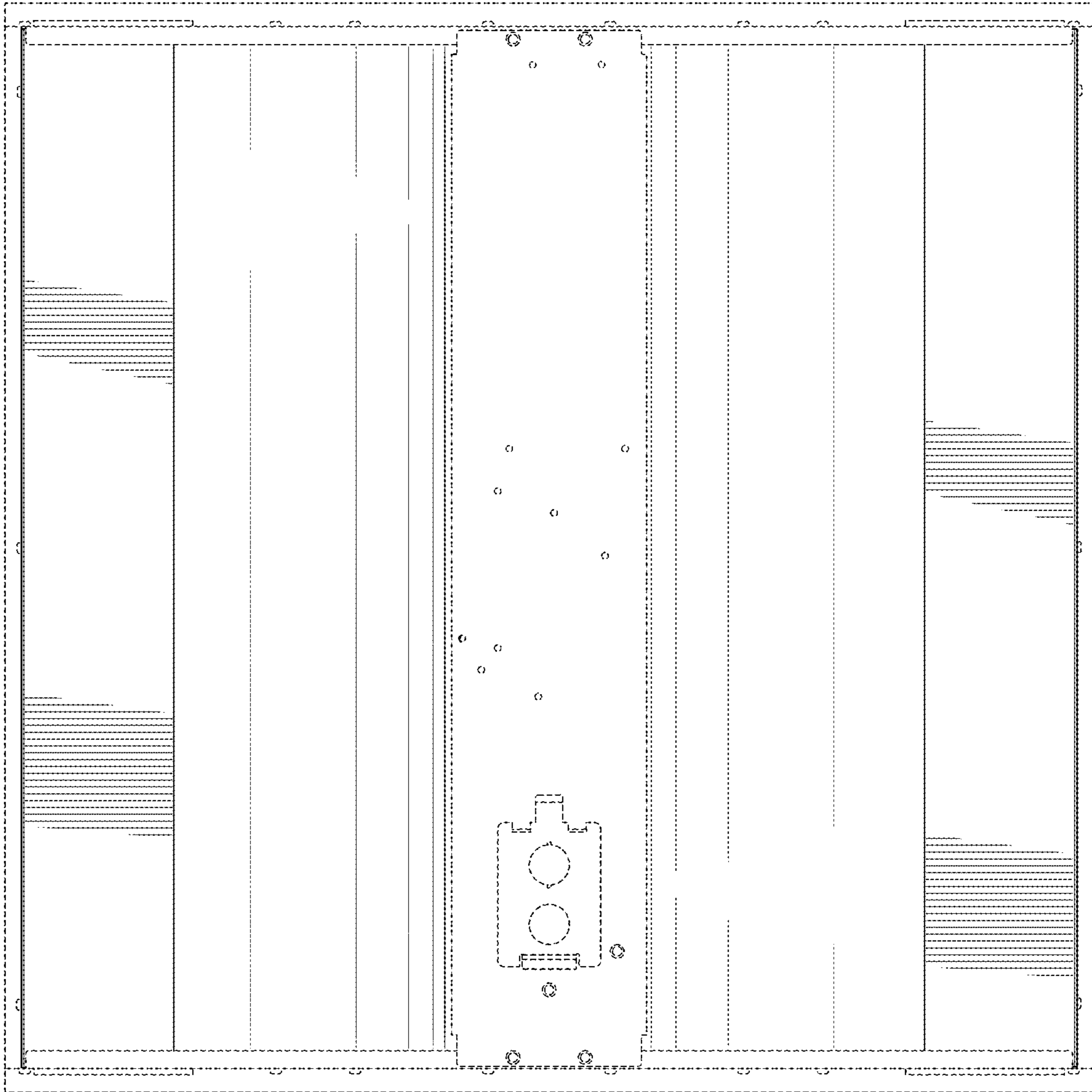


FIG. 5

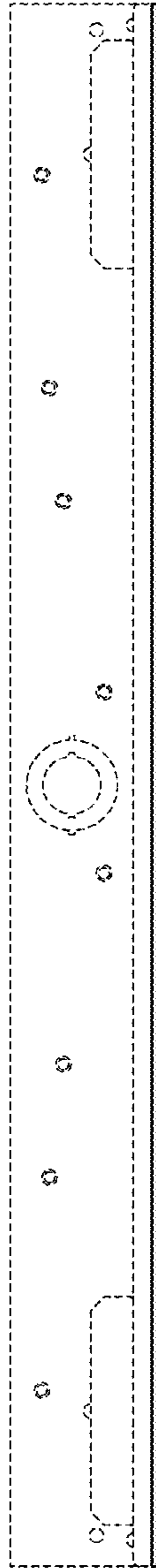


FIG. 6

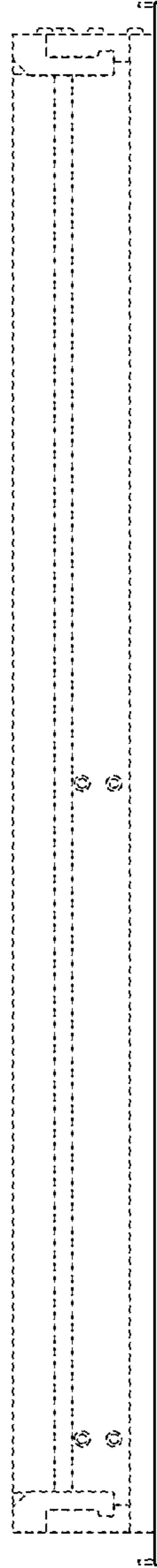


FIG. 7

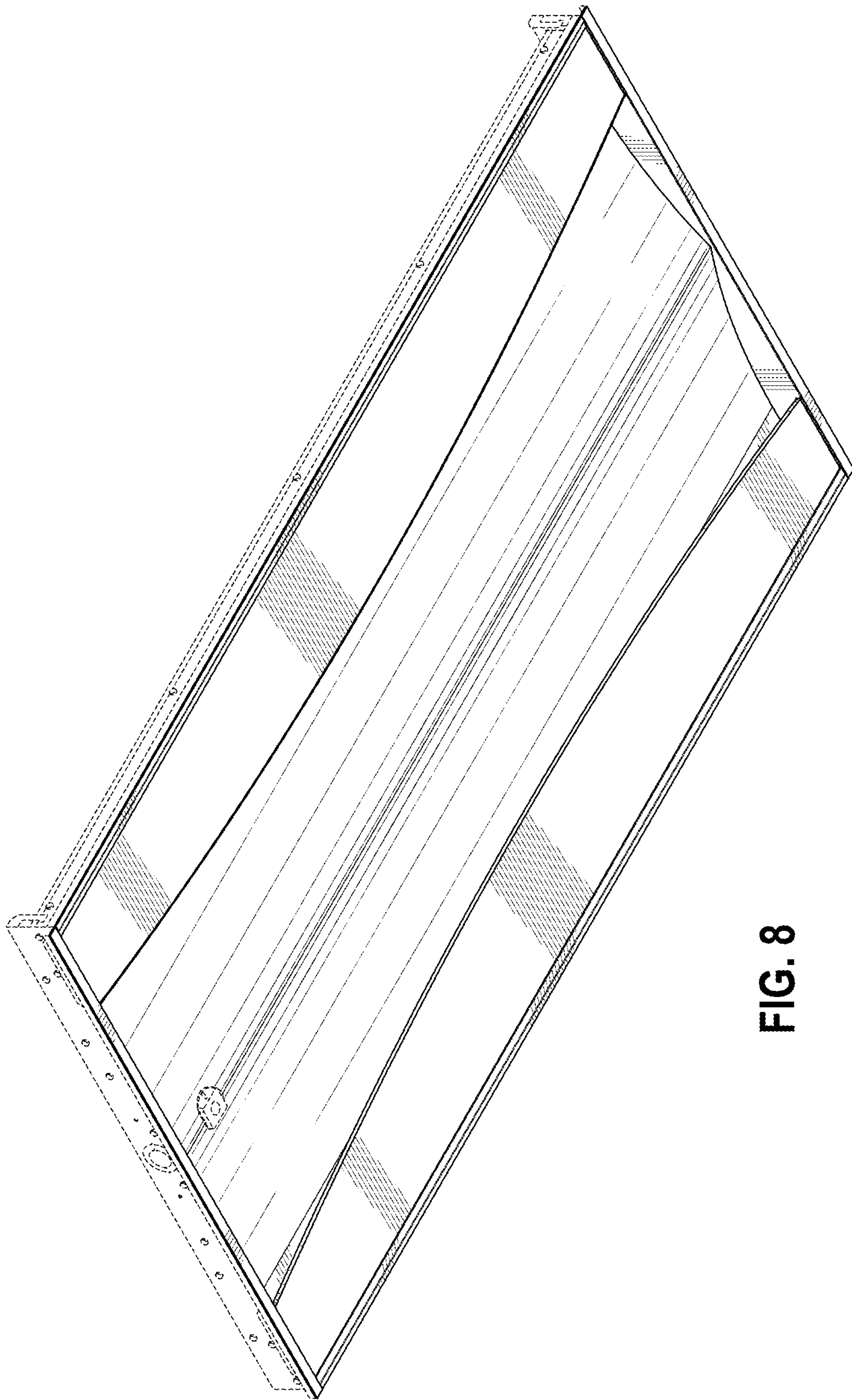


FIG. 8

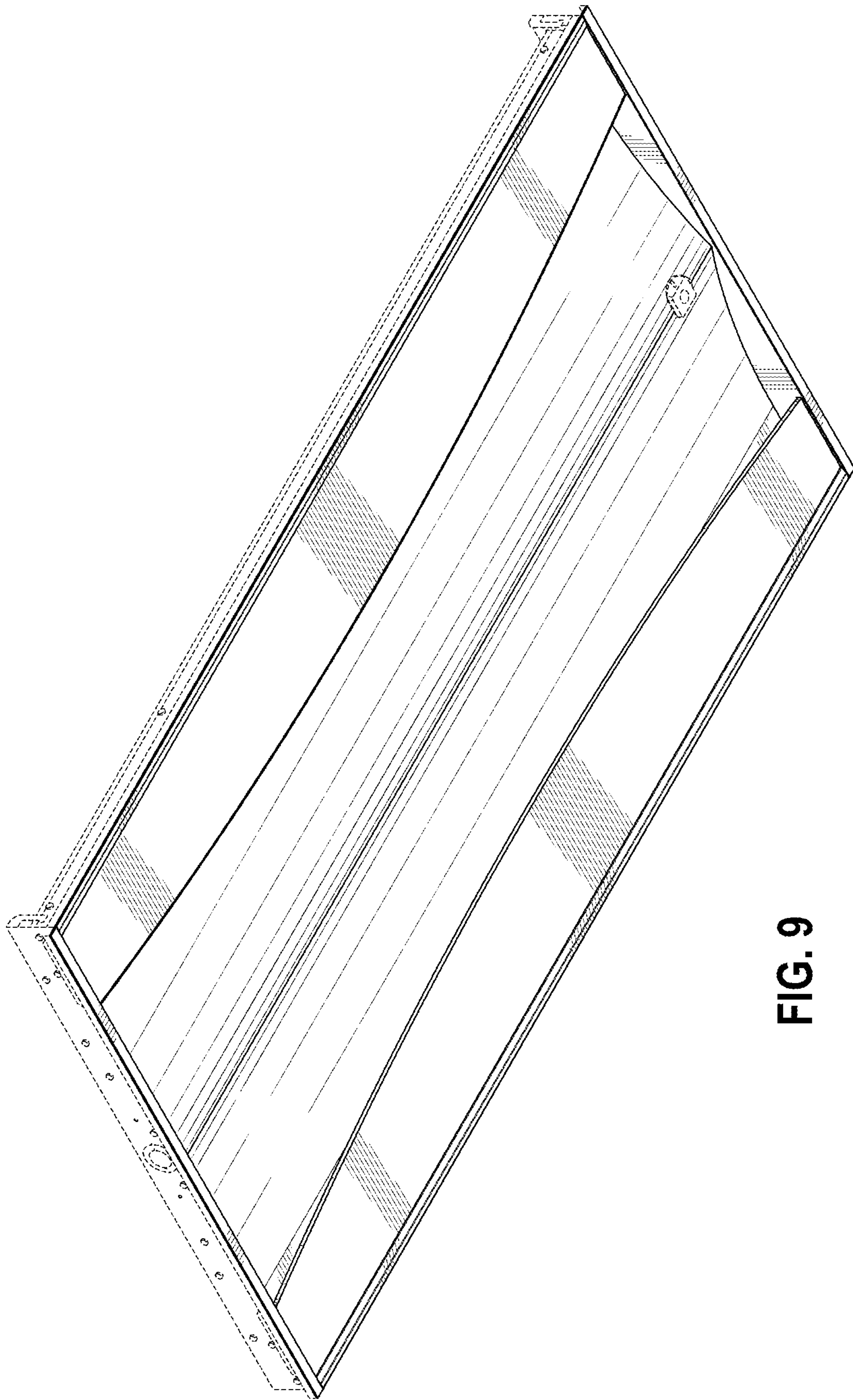


FIG. 9

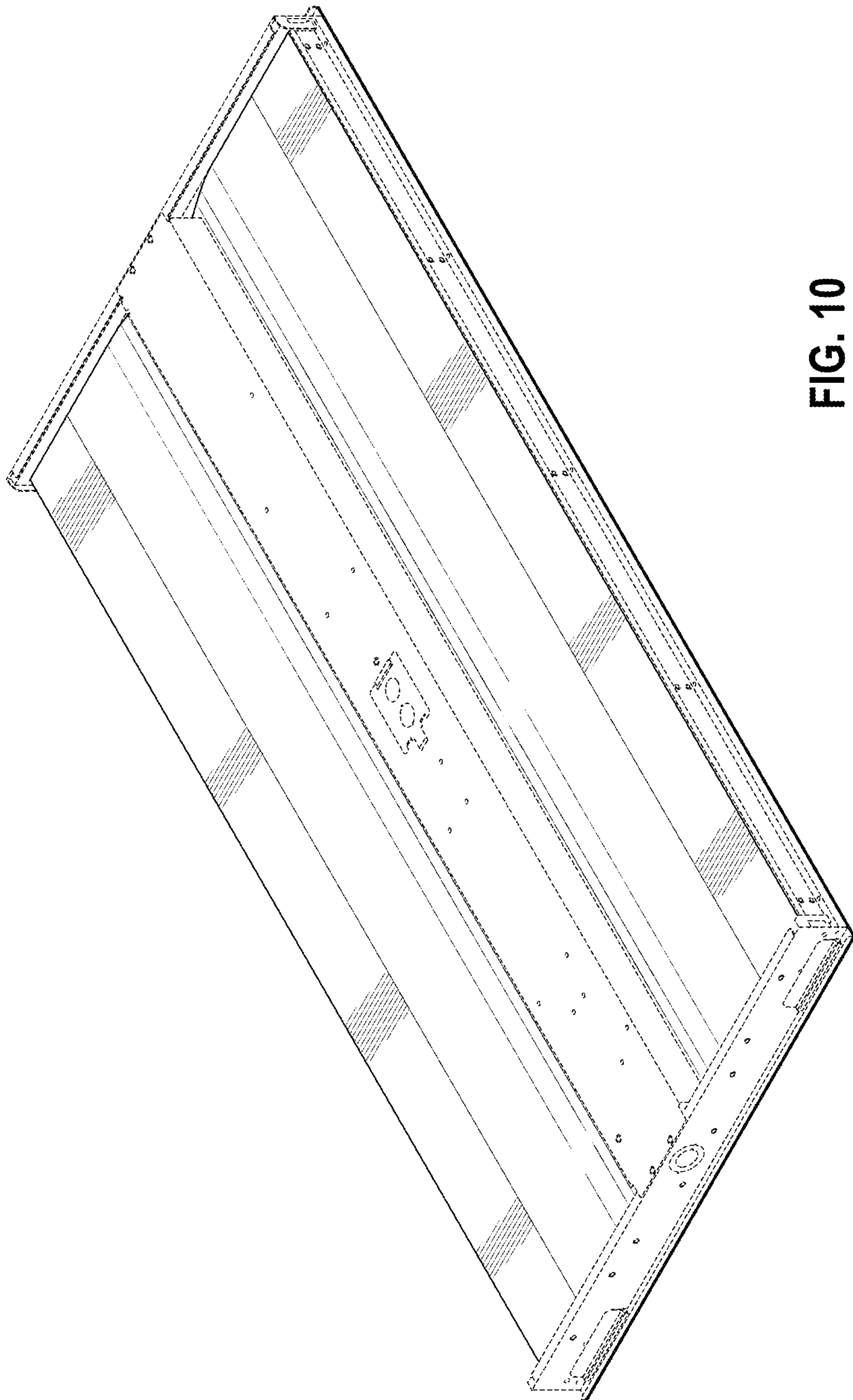


FIG. 10

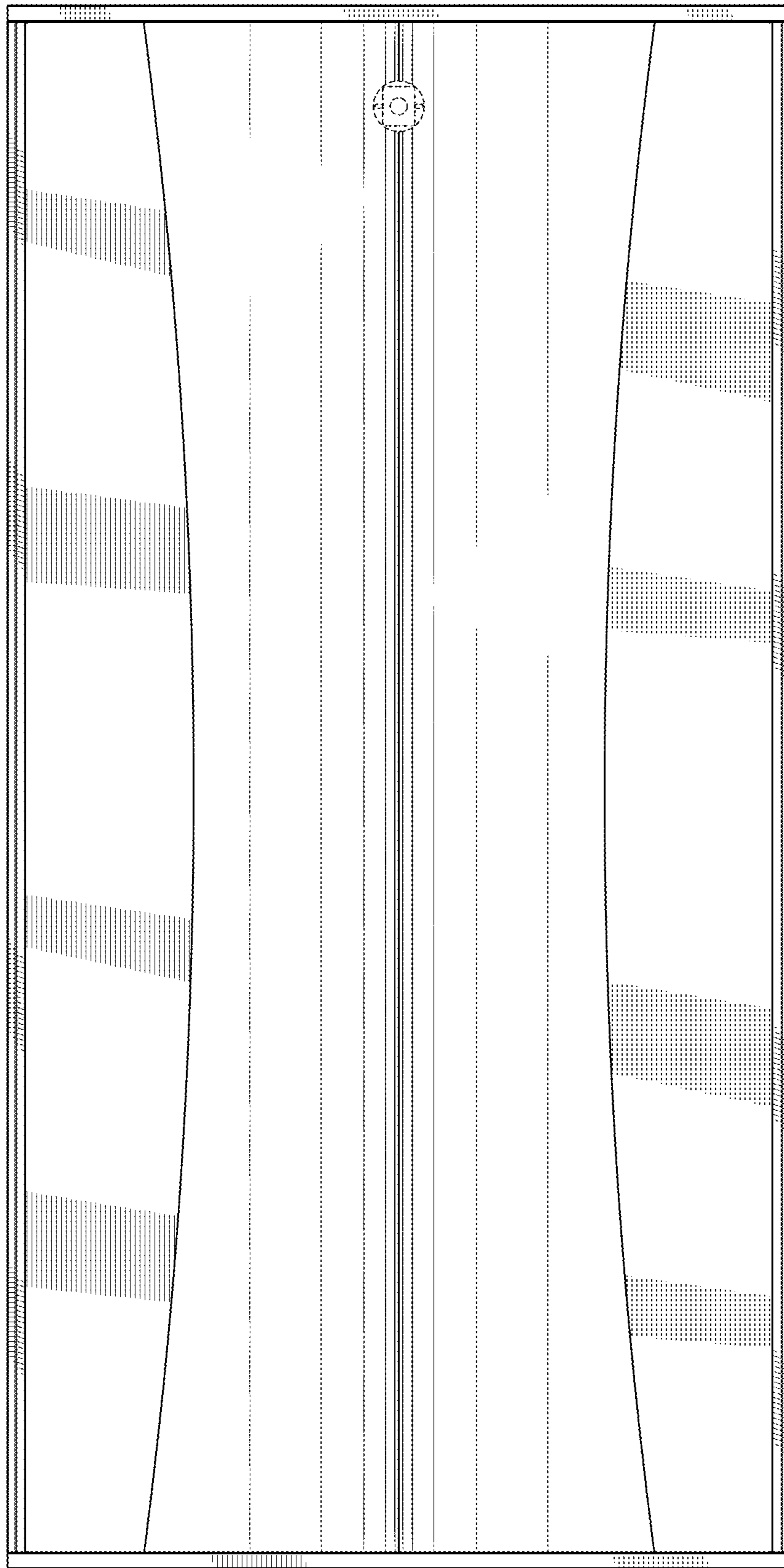


FIG. 11

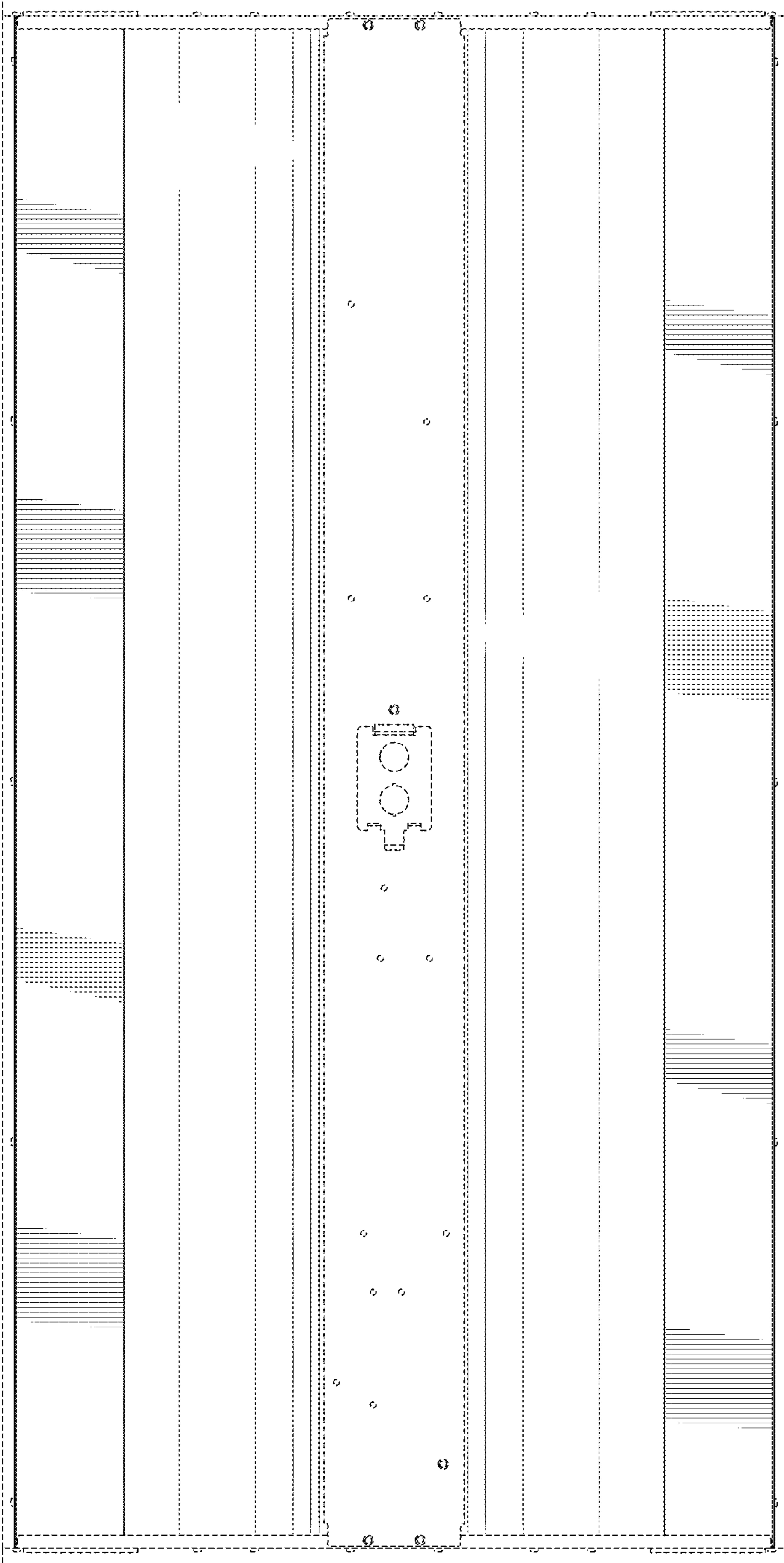


FIG. 12



FIG. 13



FIG. 14