



US00D934486S

(12) **United States Design Patent** (10) **Patent No.:** **US D934,486 S**
Ou (45) **Date of Patent:** **** Oct. 26, 2021**

(54) **LAMP**

(71) Applicant: **Mingxuan Ou**, Zhongshan (CN)

(72) Inventor: **Mingxuan Ou**, Zhongshan (CN)

(**) Term: **15 Years**

(21) Appl. No.: **29/766,988**

(22) Filed: **Jan. 20, 2021**

(51) **LOC (13) Cl.** **26-03**

(52) **U.S. Cl.**
USPC **D26/80; D26/87**

(58) **Field of Classification Search**
USPC D26/72, 80, 85-87, 92
CPC F21S 8/03; F21S 8/035; F21S 8/036; F21S
8/046

See application file for complete search history.

(56) **References Cited**

U.S. PATENT DOCUMENTS

D487,528 S *	3/2004	Christensen	D26/79
D575,437 S	8/2008	Bickler et al.		
D642,727 S *	8/2011	van den Akker	D26/85
D666,764 S *	9/2012	Gilad	D26/87
D711,033 S *	8/2014	Choi	D26/71
D758,635 S *	6/2016	Fioravanti	D26/85
10,030,842 B1 *	7/2018	Sonneman	F21S 8/06
D848,669 S *	5/2019	Sperling	D26/152
D862,770 S *	10/2019	Coombes	D26/85
D895,882 S	9/2020	Li		
D897,024 S	9/2020	Gong		
D907,275 S *	1/2021	Chen	D26/86
D908,945 S *	1/2021	Zheng	D26/86
D910,226 S *	2/2021	Zheng	D26/107
D915,657 S *	4/2021	Zheng	D26/86
D926,349 S *	7/2021	Lin	D26/86

OTHER PUBLICATIONS

Oros Wall Light By Kuzco Lighting MFR ID: VL94826-AS / Item #: KZC781105, available at lightology.com, visited Aug. 24, 2021. (Year: 2021).*

Oowolf 17 Inch Modern Wall Vanity Light Fixture, ASIN: B08DKPKP51, available at amazon.com Jul. 24, 2020. (Year: 2020).*

Joosnwell 3-Light Bathroom Lighting Fixture, ASIN: B07QPWH9T4, available at amazon.com Mar. 11, 2019. (Year: 2019).*

Pazala LED Vanity Light, ASIN: B095WGWVQD, available at amazon.com May 26, 2021. (Year: 2021).*

* cited by examiner

Primary Examiner — Clare E Heflin

(57) **CLAIM**

The ornamental design for a lamp, as shown and described.

DESCRIPTION

FIG. 1 is a first perspective view of a lamp showing my new design;

FIG. 2 is a second perspective view thereof;

FIG. 3 is a top view thereof;

FIG. 4 is a bottom view thereof;

FIG. 5 is a left side view thereof;

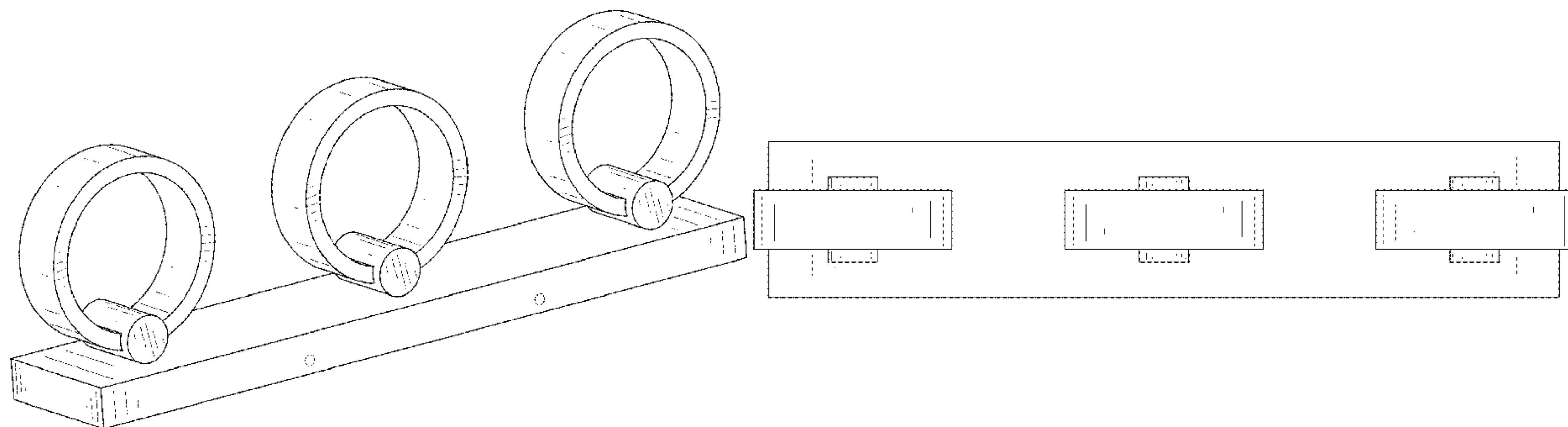
FIG. 6 is a right side view thereof;

FIG. 7 is a front side view thereof; and,

FIG. 8 is a rear view thereof.

The broken lines shown in the drawings depict portions of the lamp in which the design is embodied that form no part of the claimed design.

1 Claim, 8 Drawing Sheets



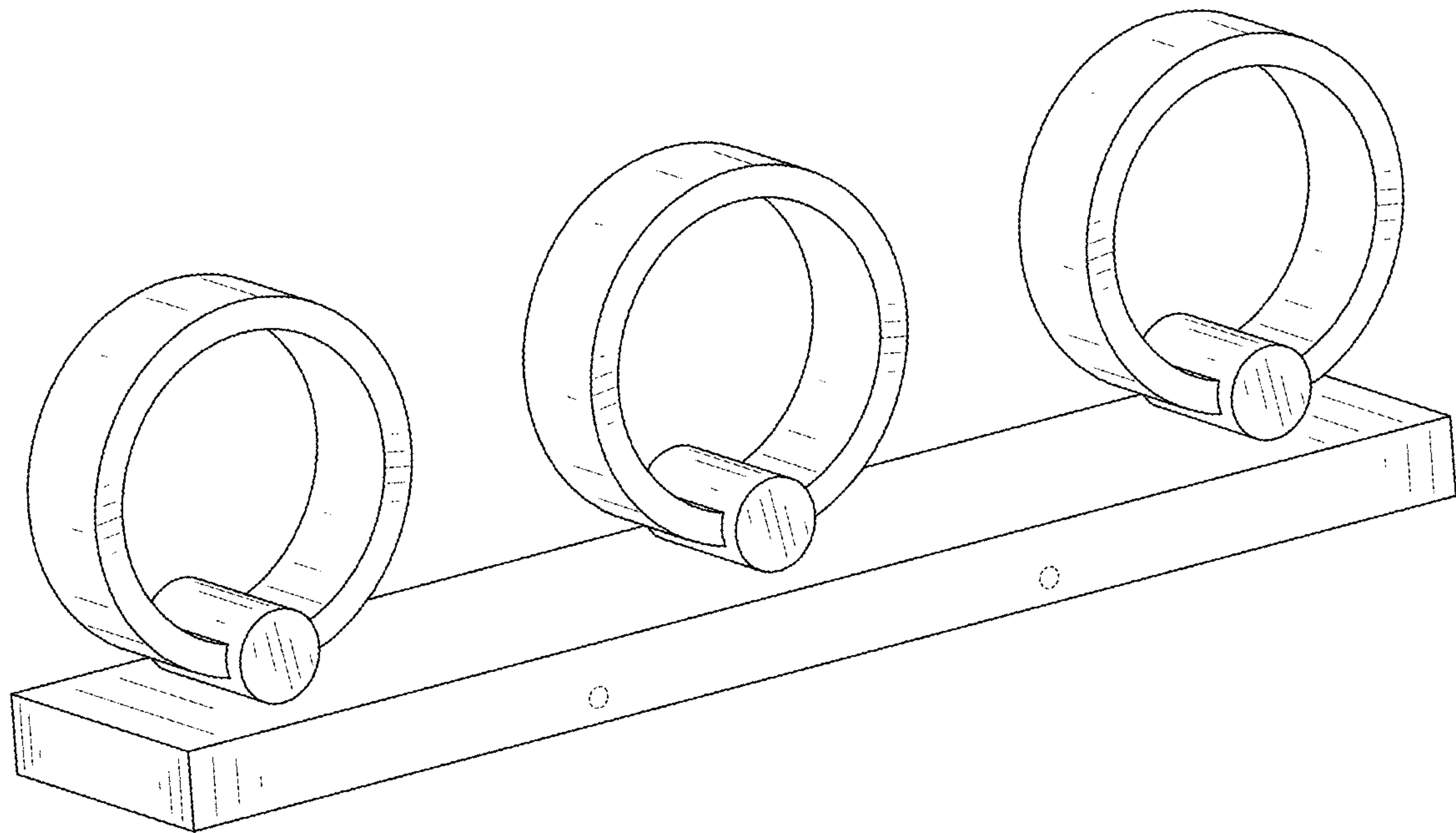


FIG. 1

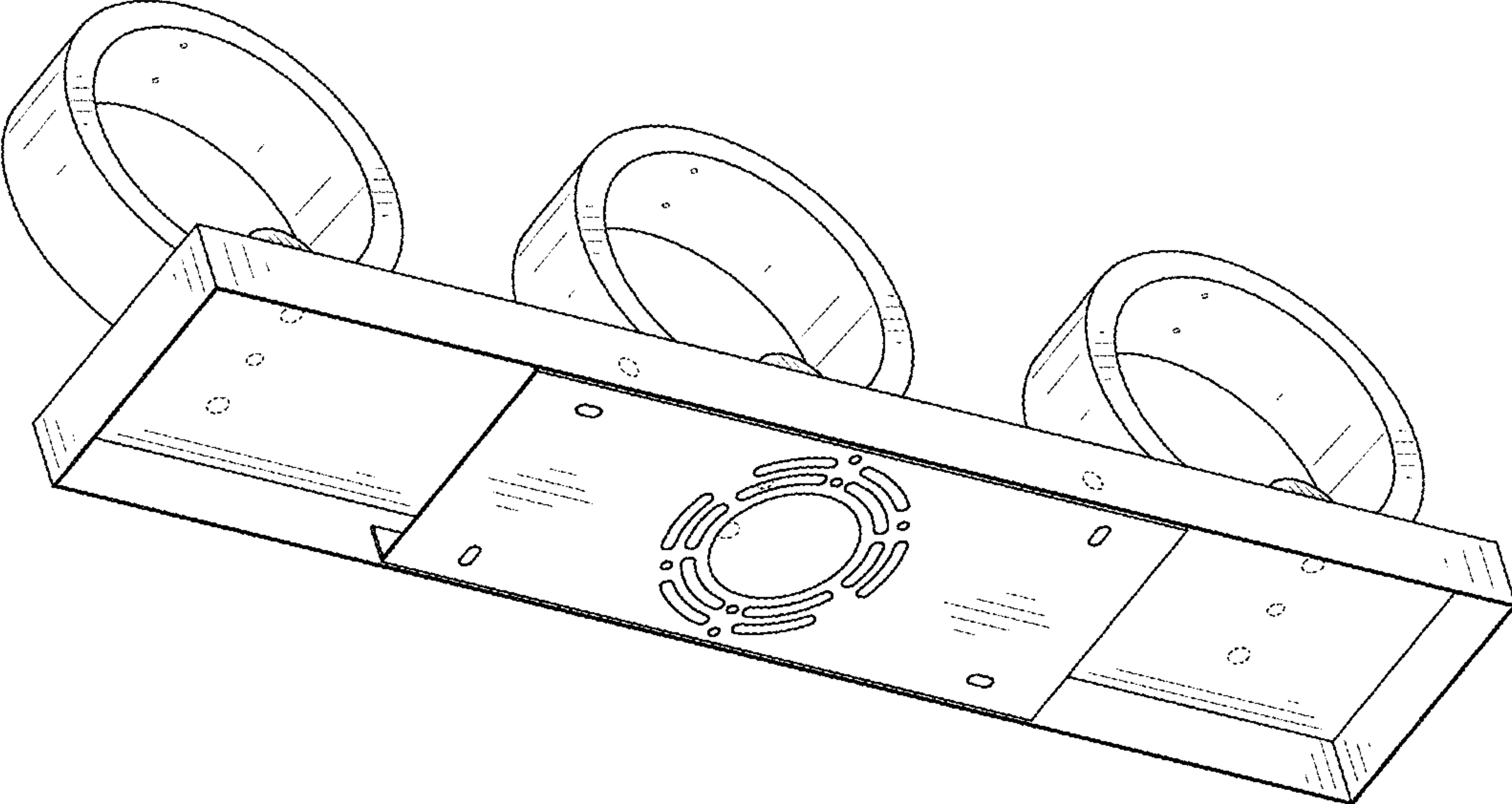


FIG. 2

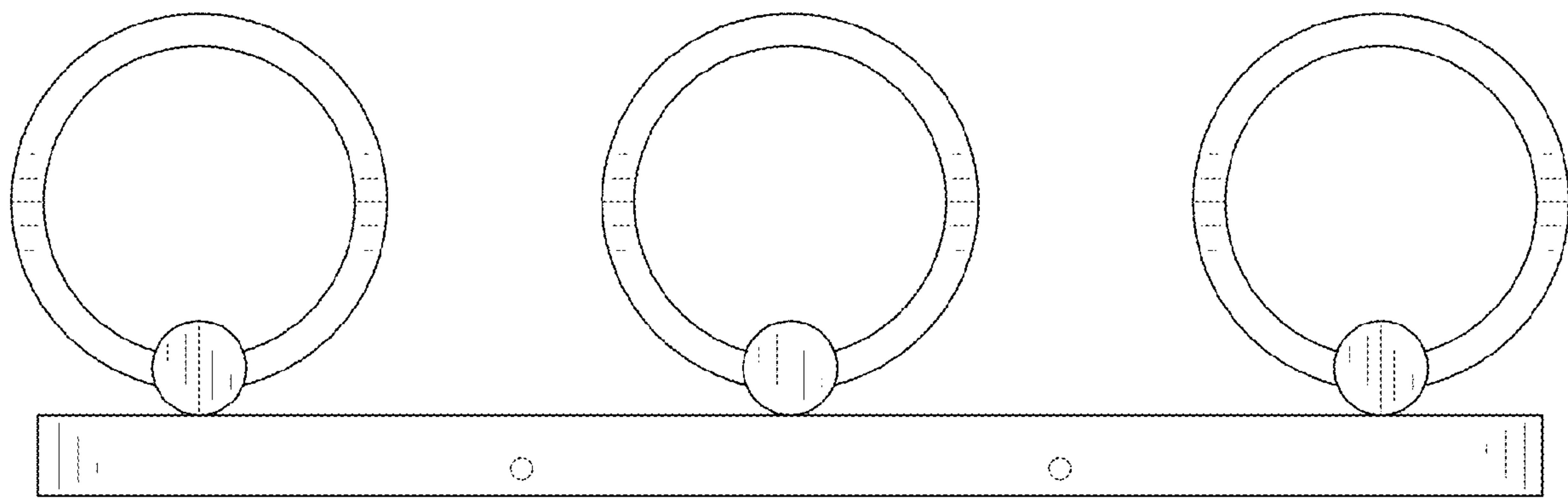


FIG. 3

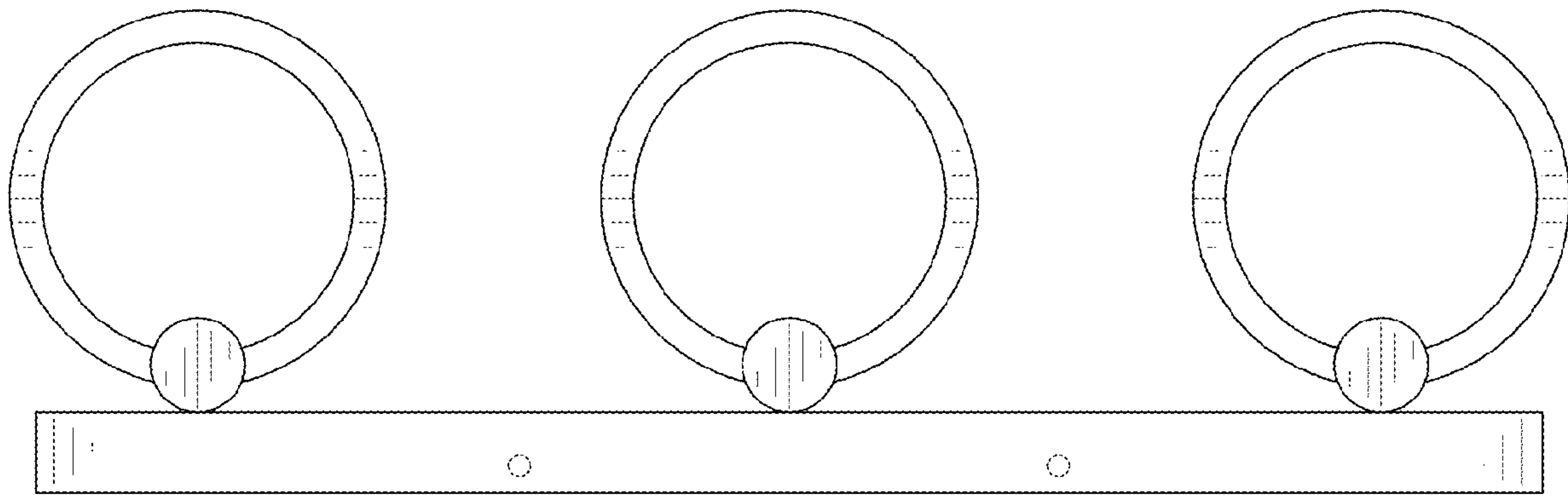


FIG. 4

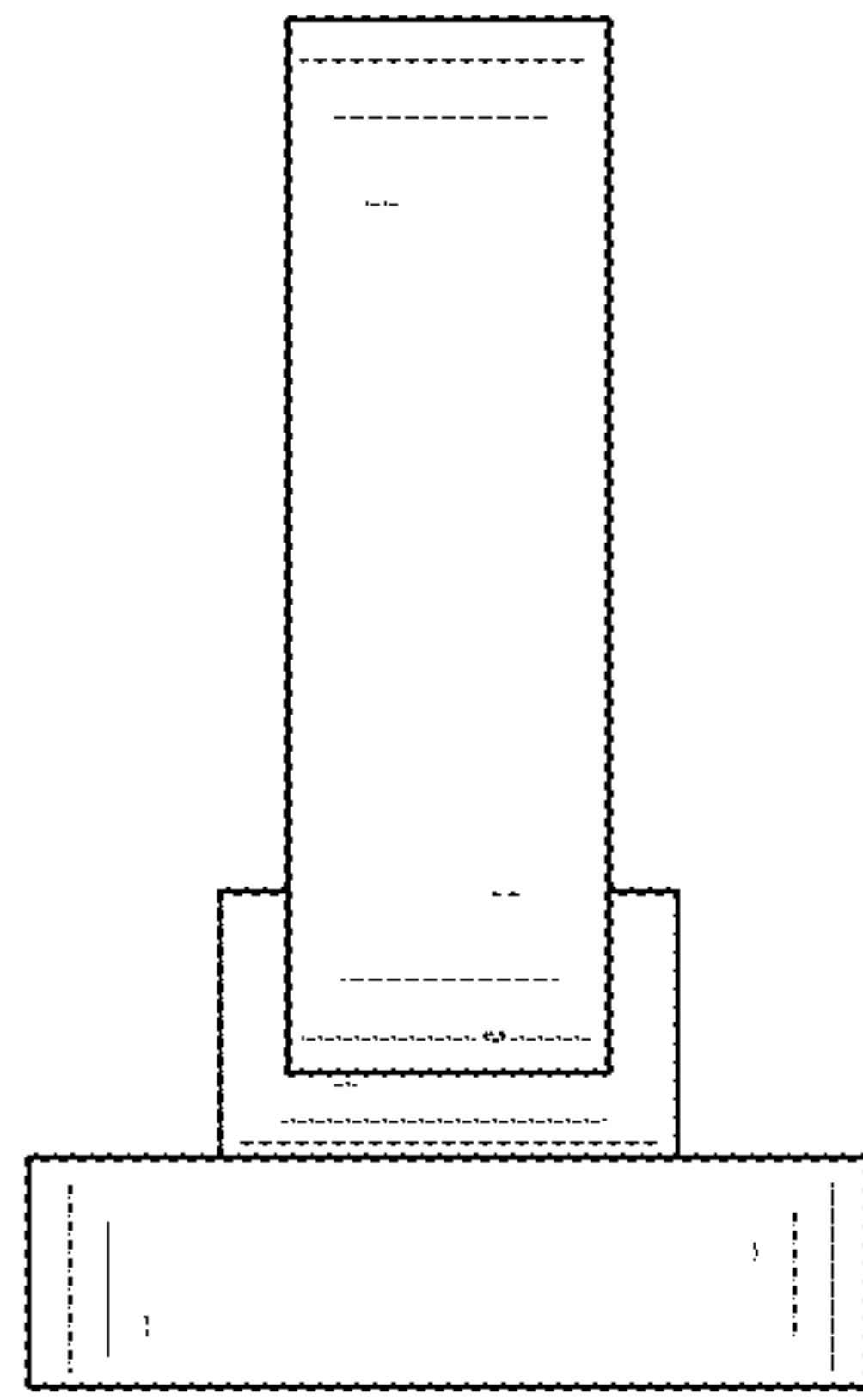


FIG. 5

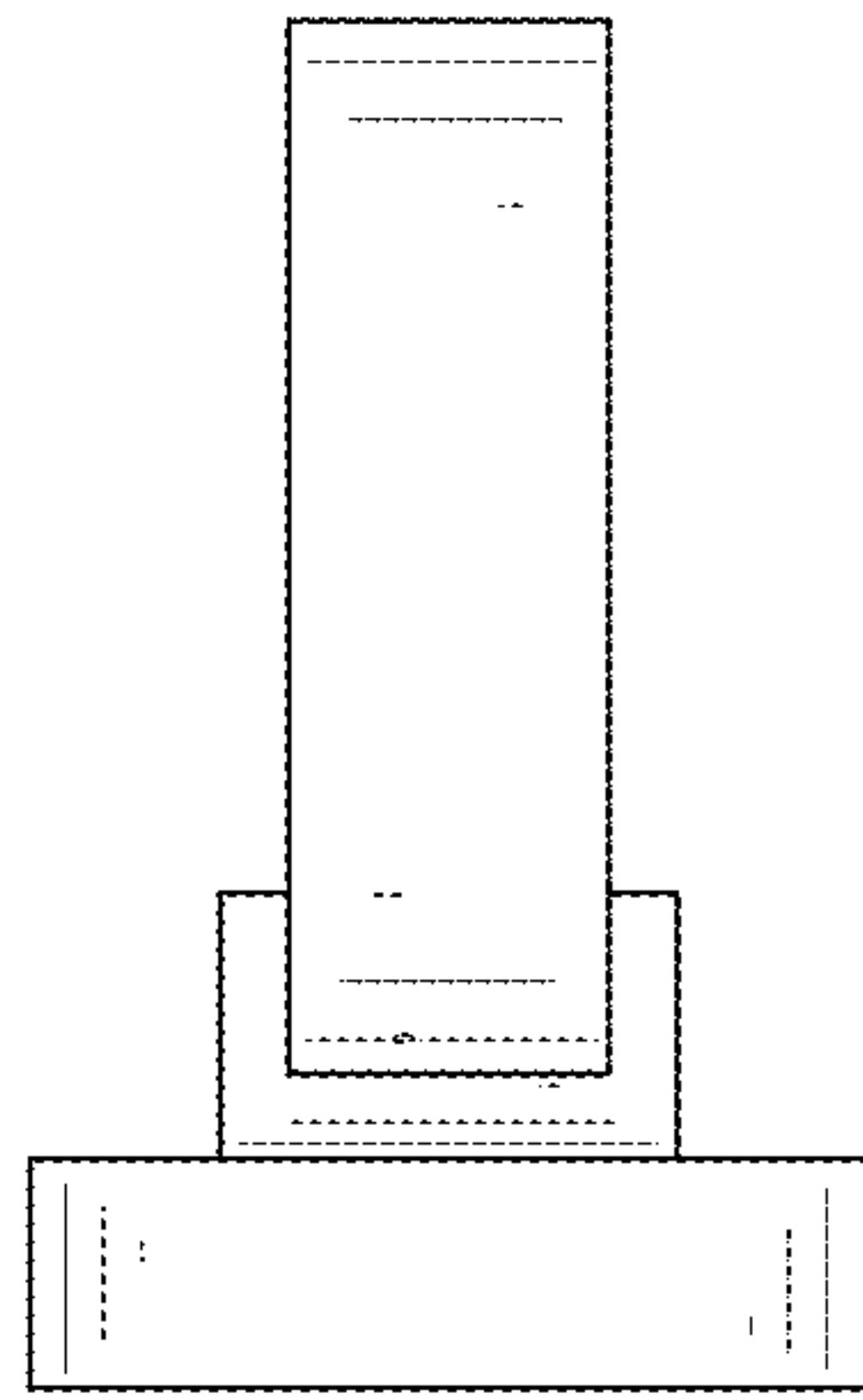


FIG. 6

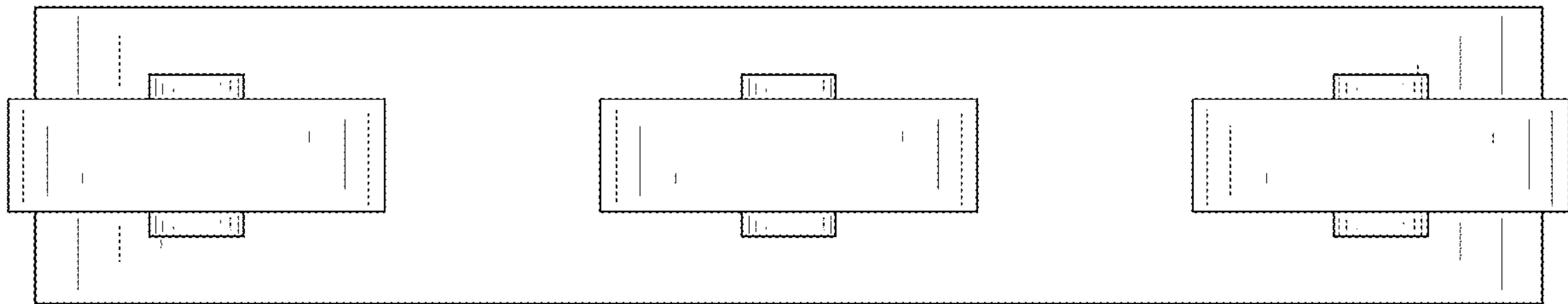


FIG. 7

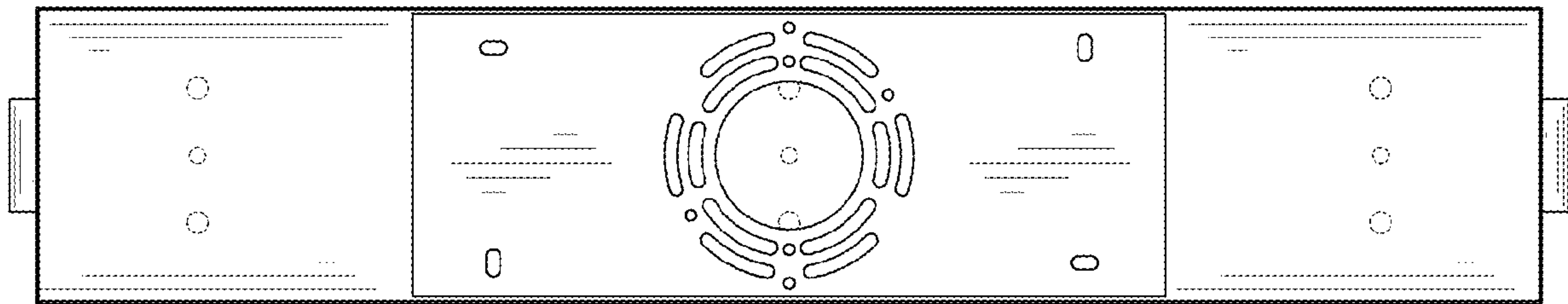


FIG. 8