



US00D934485S

(12) **United States Design Patent** (10) **Patent No.:** **US D934,485 S**  
**Ou** (45) **Date of Patent:** **\*\* Oct. 26, 2021**

(54) **LAMP**  
(71) Applicant: **Mingxuan Ou**, Zhongshan (CN)  
(72) Inventor: **Mingxuan Ou**, Zhongshan (CN)

D893,081 S \* 8/2020 Hui ..... D26/85  
D895,882 S 9/2020 Li  
D897,024 S 9/2020 Gong  
D907,275 S \* 1/2021 Chen ..... D26/86  
D911,584 S \* 2/2021 Zheng ..... D26/86

(\*\*) Term: **15 Years**  
(21) Appl. No.: **29/766,669**

**OTHER PUBLICATIONS**

CTO Lighting HOXTON Wall Sconce, Item No. CTO-97240 available from rousehome.com, visited Aug. 24, 2021. (Year: 2021).\*  
YITAHOME Modern Crystal Bathroom Vanity Light, ASIN: B08NF3GDCC available at amazon.com Nov. 13, 2020. (Year: 2020).\*

(22) Filed: **Jan. 18, 2021**  
(51) **LOC (13) Cl.** ..... **26-03**  
(52) **U.S. Cl.**  
USPC ..... **D26/80; D26/87**  
(58) **Field of Classification Search**  
USPC ..... D26/72, 80, 85-87, 92  
CPC .... F21S 8/03; F21S 8/035; F21S 8/036; F21S 8/046  
See application file for complete search history.

\* cited by examiner

*Primary Examiner* — Clare E Heflin

(57) **CLAIM**

The ornamental design for a lamp, as shown and described.

**DESCRIPTION**

(56) **References Cited**

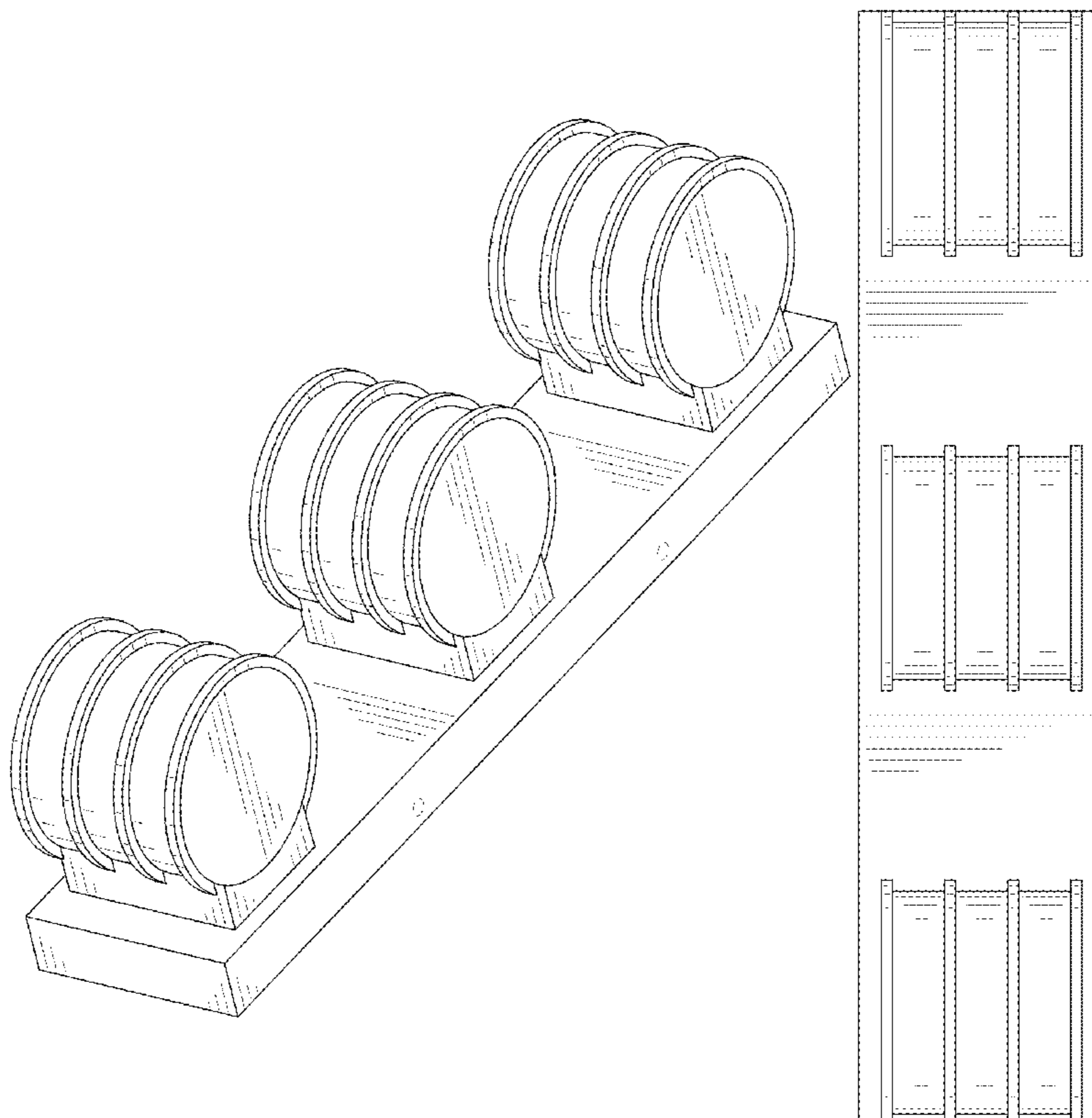
FIG. 1 is a first perspective view of a lamp showing my new design;  
FIG. 2 is a second perspective view thereof;  
FIG. 3 is a front view thereof;  
FIG. 4 is a back view thereof;  
FIG. 5 is a top view thereof;  
FIG. 6 is a bottom view thereof;  
FIG. 7 is a left side view thereof; and,  
FIG. 8 is a right side view thereof.

**U.S. PATENT DOCUMENTS**

D83,295 S \* 2/1931 Von Nessen ..... D26/128  
D118,308 S \* 12/1939 McKay ..... D26/71  
D564,693 S \* 3/2008 Ziliani ..... D26/85  
D575,437 S 8/2008 Bickler et al.  
D580,085 S \* 11/2008 Svensson ..... D26/71  
D626,680 S \* 11/2010 Verelst ..... D26/85  
D764,696 S \* 8/2016 Compton ..... D26/85  
D764,697 S \* 8/2016 Compton ..... D26/85  
D783,882 S \* 4/2017 Dolan ..... D26/87  
D802,200 S \* 11/2017 Sonneman ..... D26/87  
D881,441 S \* 4/2020 Van Den Akker ..... D26/87

The broken lines shown in the drawings depict portions of the lamp in which the design is embodied that form no part of the claimed design.

**1 Claim, 8 Drawing Sheets**



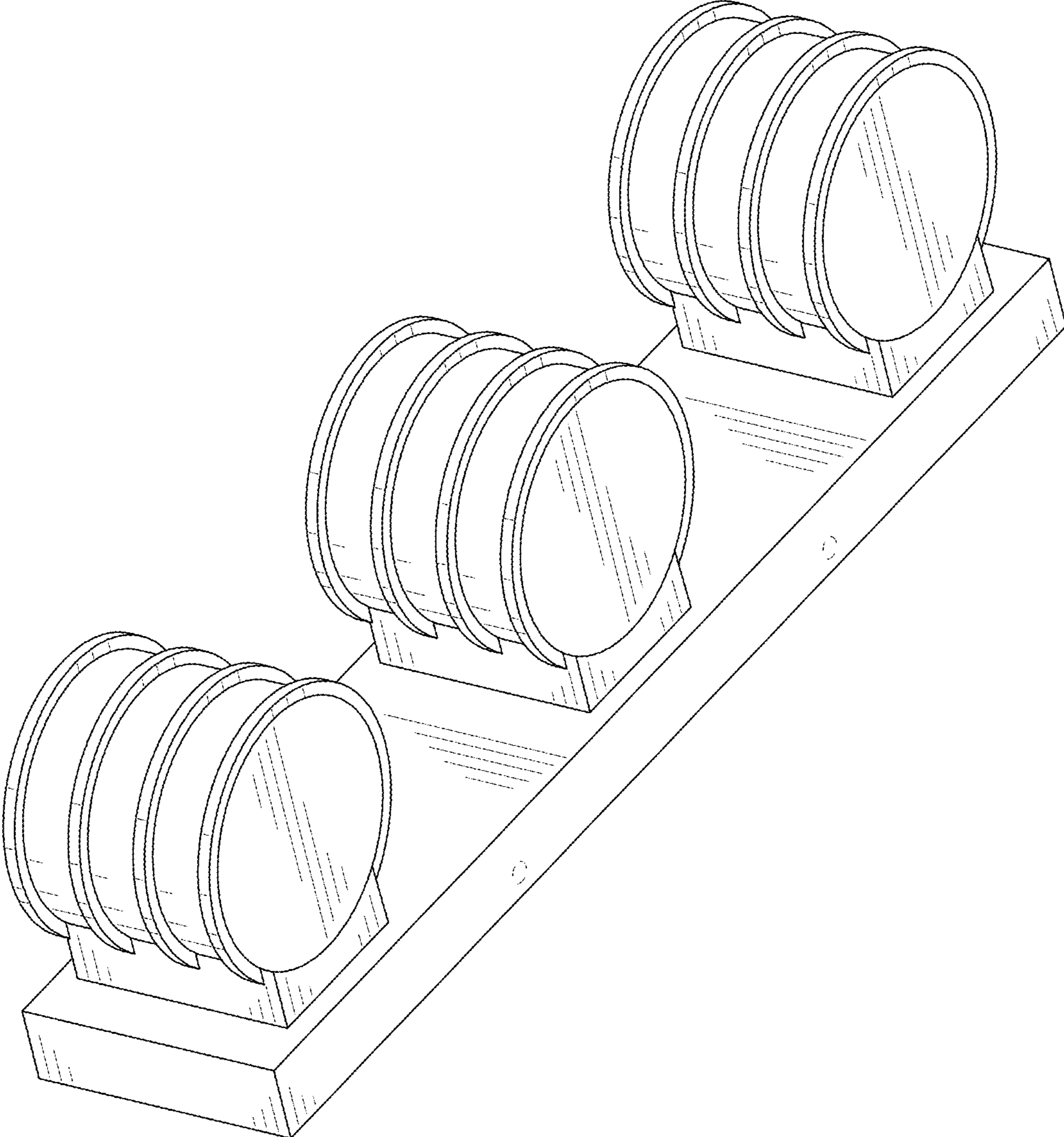


FIG. 1

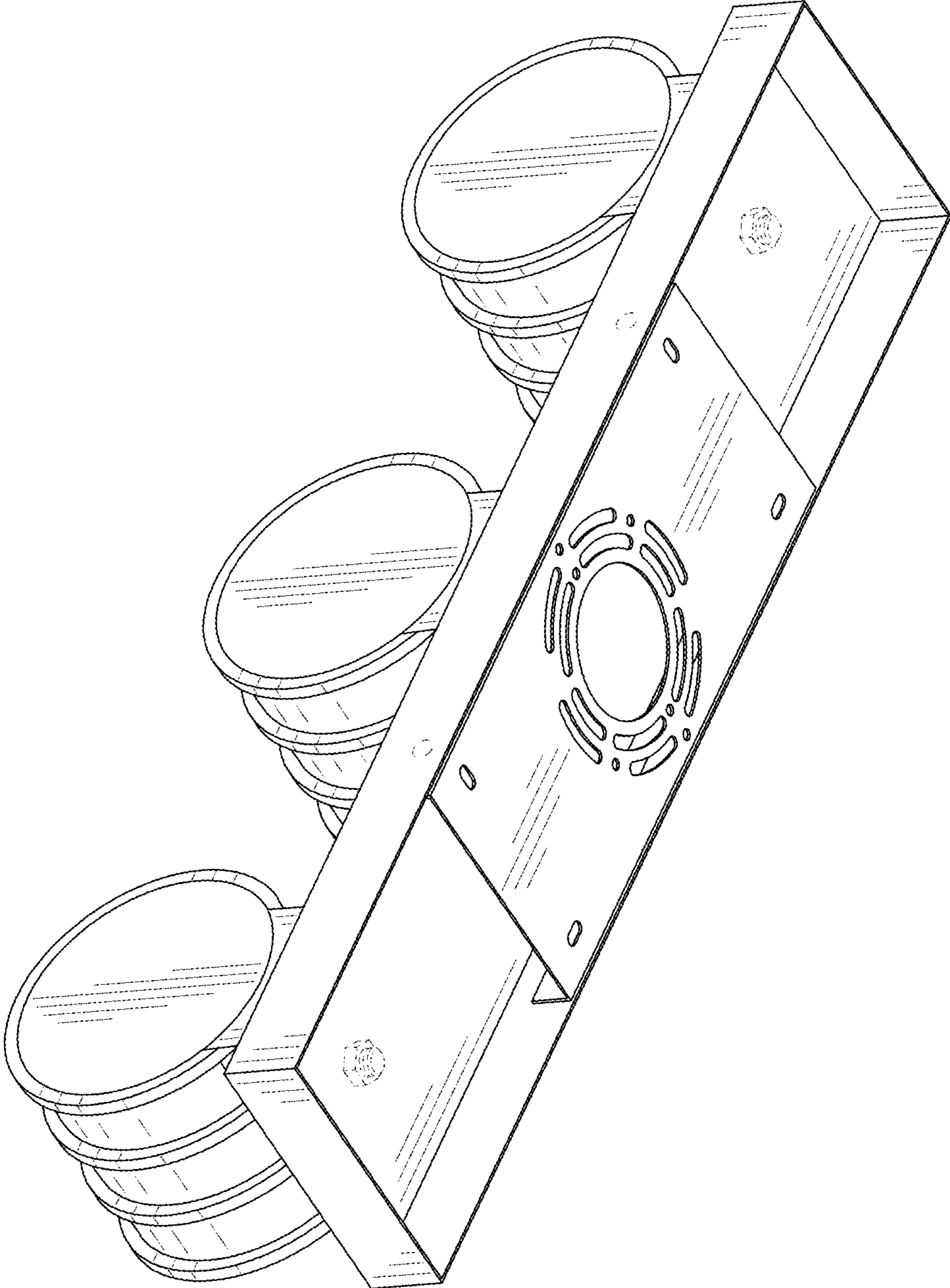


FIG. 2

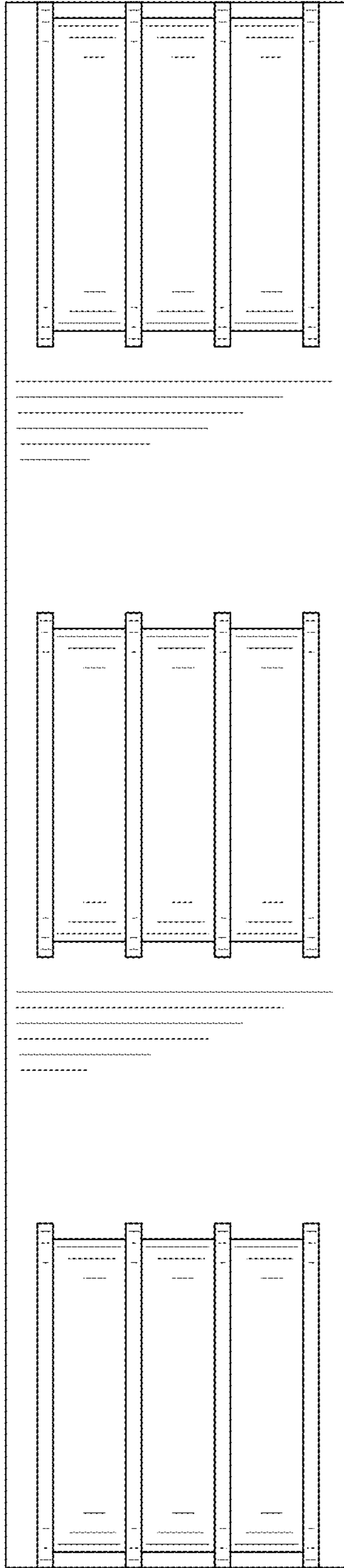


FIG. 3

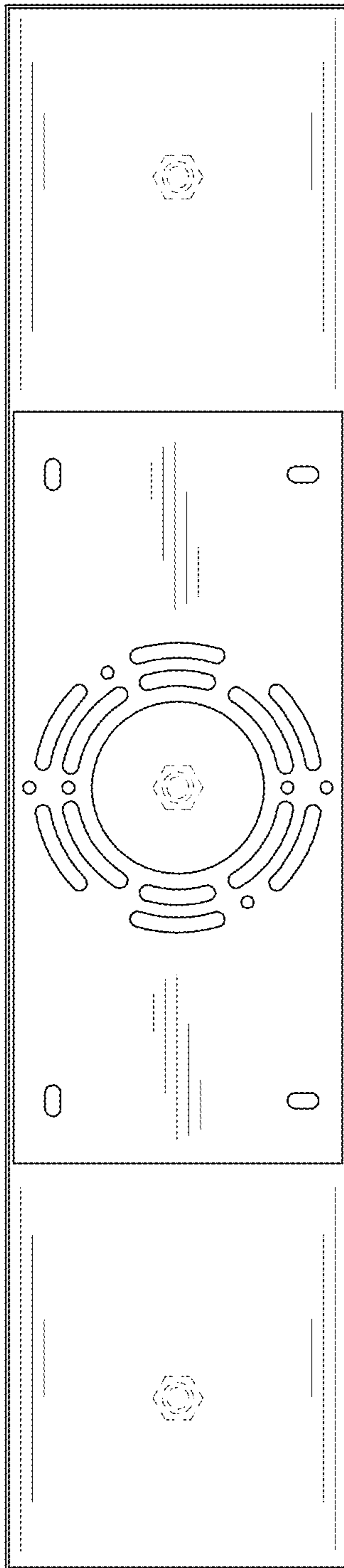


FIG. 4

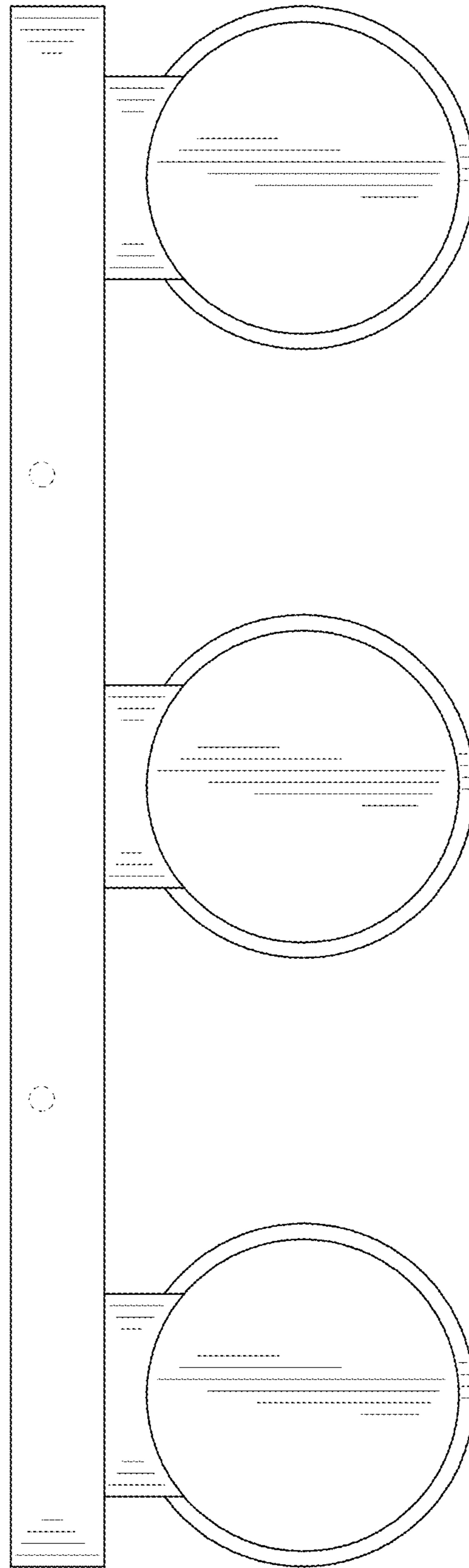


FIG. 5

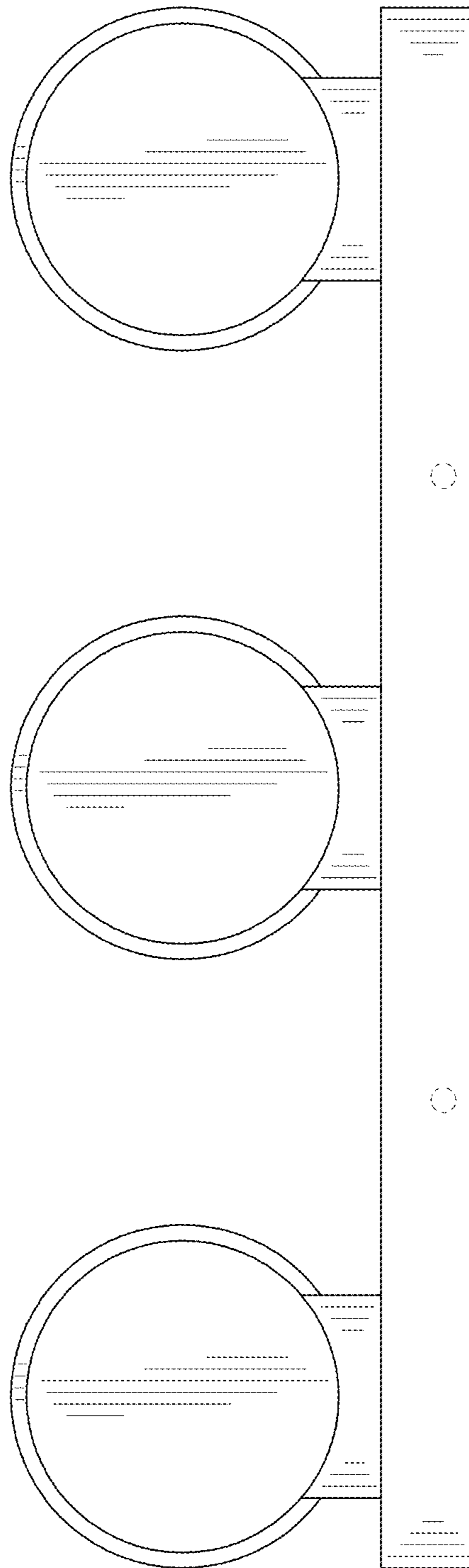


FIG. 6

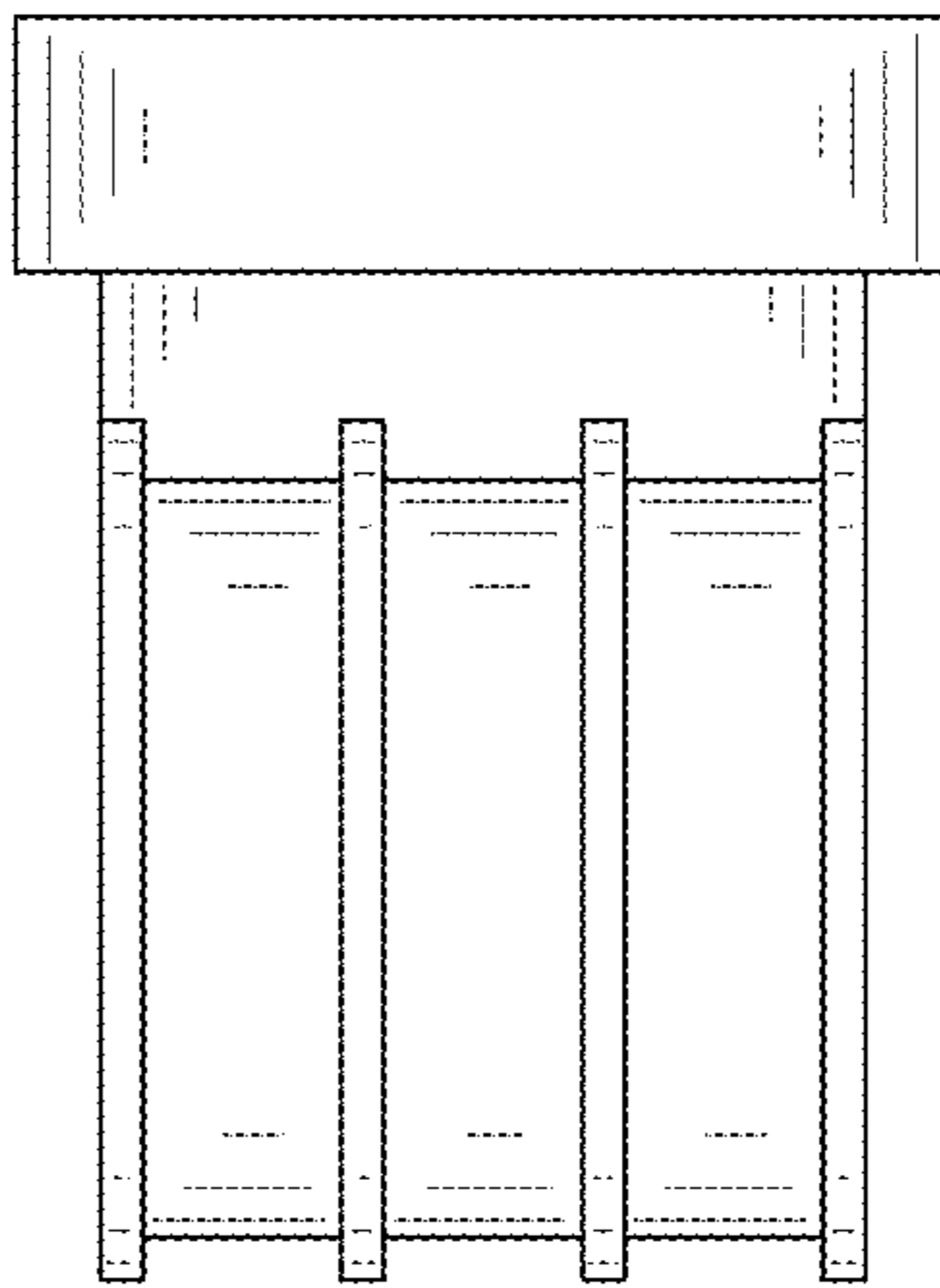


FIG. 7



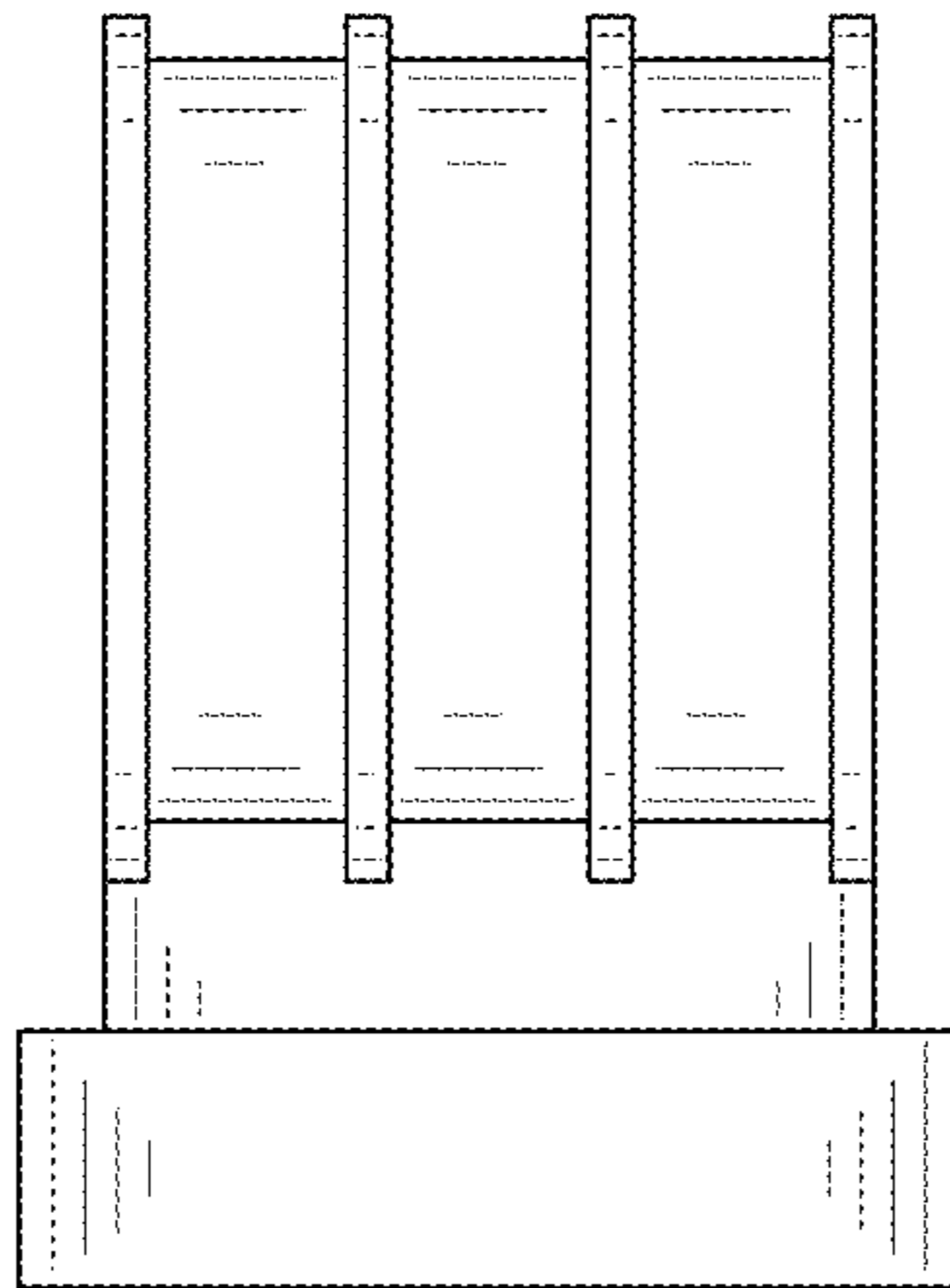


FIG. 8