



US00D934484S

(12) **United States Design Patent** (10) **Patent No.:** **US D934,484 S**
Ou (45) **Date of Patent:** **** Oct. 26, 2021**

(54) **LAMP**

(71) Applicant: **Mingxuan Ou**, Zhongshan (CN)

(72) Inventor: **Mingxuan Ou**, Zhongshan (CN)

(**) Term: **15 Years**

(21) Appl. No.: **29/766,668**

(22) Filed: **Jan. 18, 2021**

(51) **LOC (13) Cl.** **D26-03**

(52) **U.S. Cl.**

USPC **D26/80**; D26/87

(58) **Field of Classification Search**

USPC D26/72, 80, 85-87, 92

CPC F21S 8/03; F21S 8/035; F21S 8/036; F21S
8/046

See application file for complete search history.

(56) **References Cited**

U.S. PATENT DOCUMENTS

| | | | | |
|--------------|---------|----------------|-------|--------|
| D233,166 S * | 10/1974 | Gore et al. | | D26/87 |
| D261,559 S * | 10/1981 | Palka | | D26/87 |
| D575,437 S | 8/2008 | Bickler et al. | | |
| D697,249 S * | 1/2014 | Pyle | | D26/85 |
| D879,354 S * | 3/2020 | Lin | | D26/87 |
| D882,149 S * | 4/2020 | Lin | | D26/87 |
| D887,617 S * | 6/2020 | Wang | | D26/87 |
| D895,882 S | 9/2020 | Li | | |
| D897,024 S | 9/2020 | Gong | | |
| D921,275 S * | 6/2021 | Liu | | D26/87 |
| D922,657 S * | 6/2021 | Zheng | | D26/86 |
| D923,235 S * | 6/2021 | Hu | | D26/86 |

OTHER PUBLICATIONS

Portland 31.5 in. 3-Light Brass Vanity Light with Matte Opal White Glass Shades by Globe Electric, Model #51479 available from homedepot.com as early as Jul. 27, 2021. (Year: 2021).*

Pasoar Bathroom Light 19.6 Inch Wall Light Fixtures for Bathroom, ASIN: B0814CTZ8Z available from amazon.com Nov. 27, 2019. (Year: 2019).*

Ice Cream Wall Sconce.—Translucent porcelain wall lamp, from the Ice Cream collection. SKU: 01024132, Technical Data Sheet dated Aug. 1, 2021. (Year: 2021).*

* cited by examiner

Primary Examiner — Clare E Heflin

(57) **CLAIM**

The ornamental design for a lamp, as shown and described.

DESCRIPTION

FIG. 1 is a first perspective view of a lamp showing my new design;

FIG. 2 is a second perspective view thereof;

FIG. 3 is a front view thereof;

FIG. 4 is a back view thereof;

FIG. 5 is a right side view thereof;

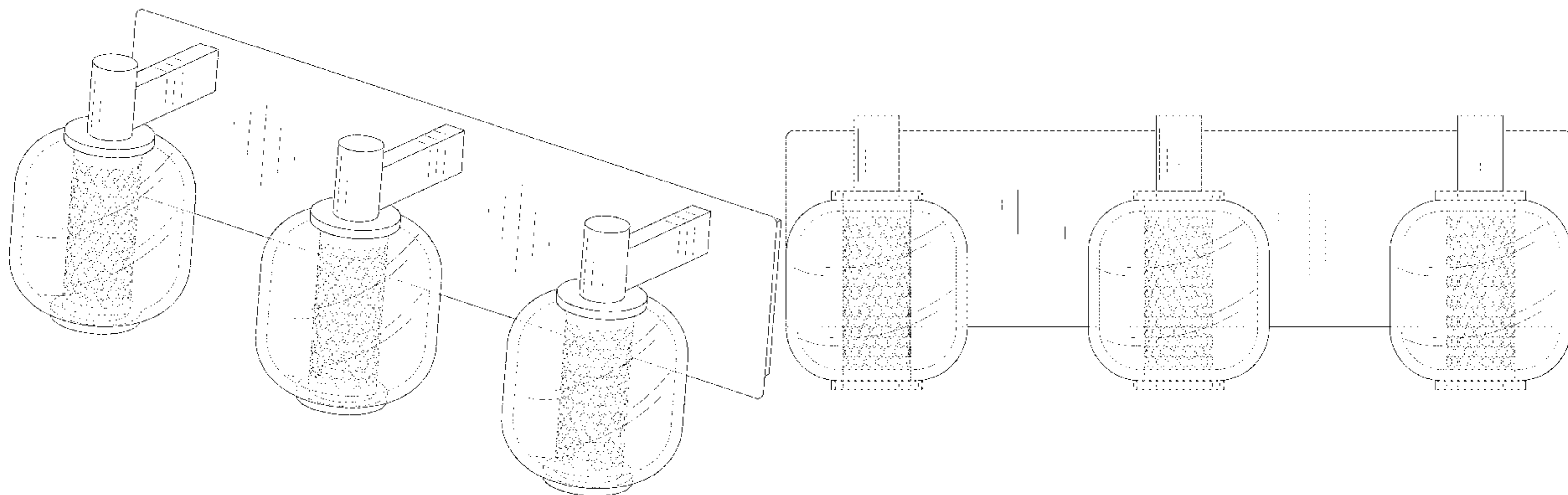
FIG. 6 is a left side view thereof.

FIG. 7 is a top view thereof; and,

FIG. 8 is a bottom view thereof.

The broken lines shown in the drawings depict portions of the lamp in which the design is embodied that form no part of the claimed design.

1 Claim, 8 Drawing Sheets



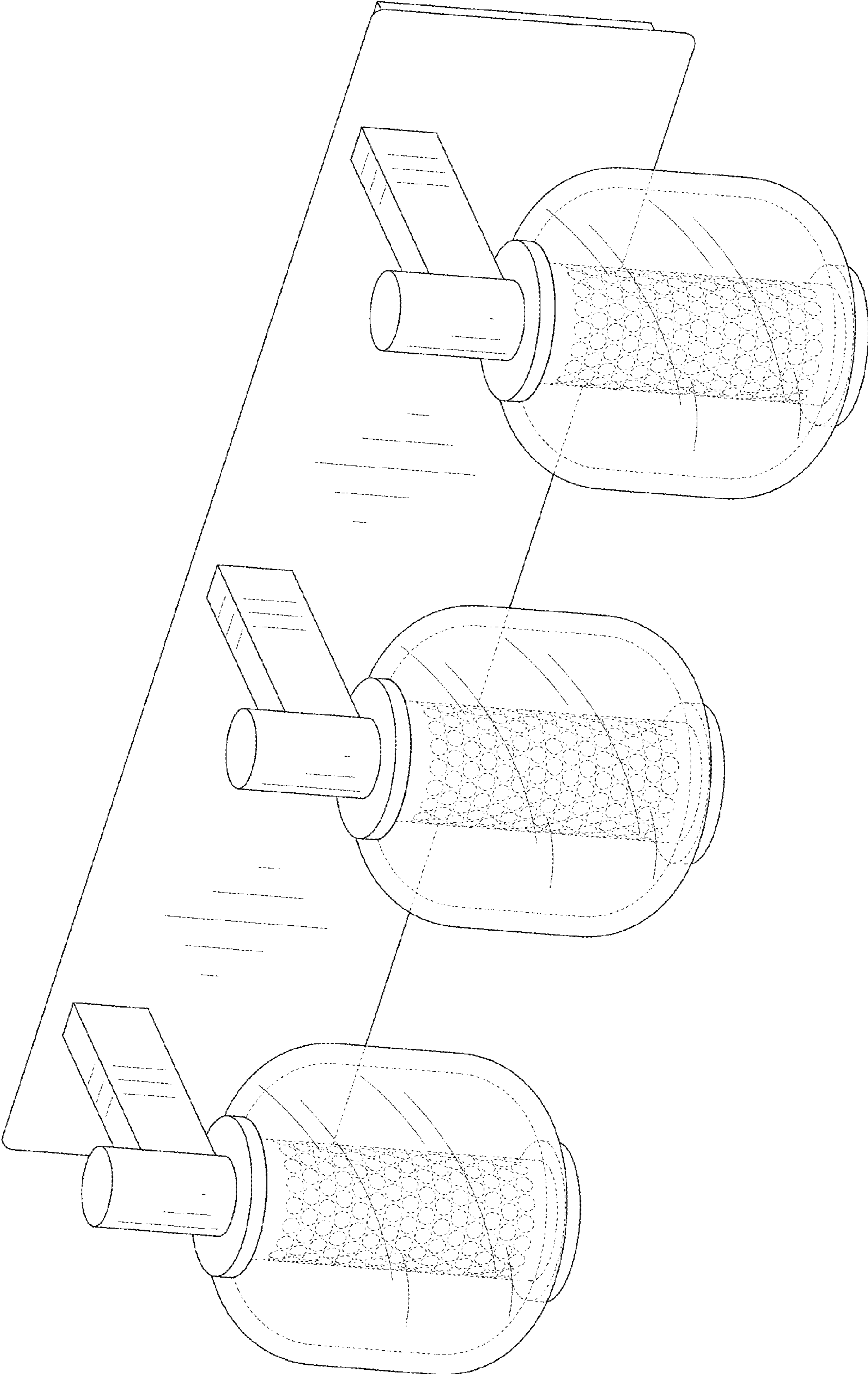


FIG. 1

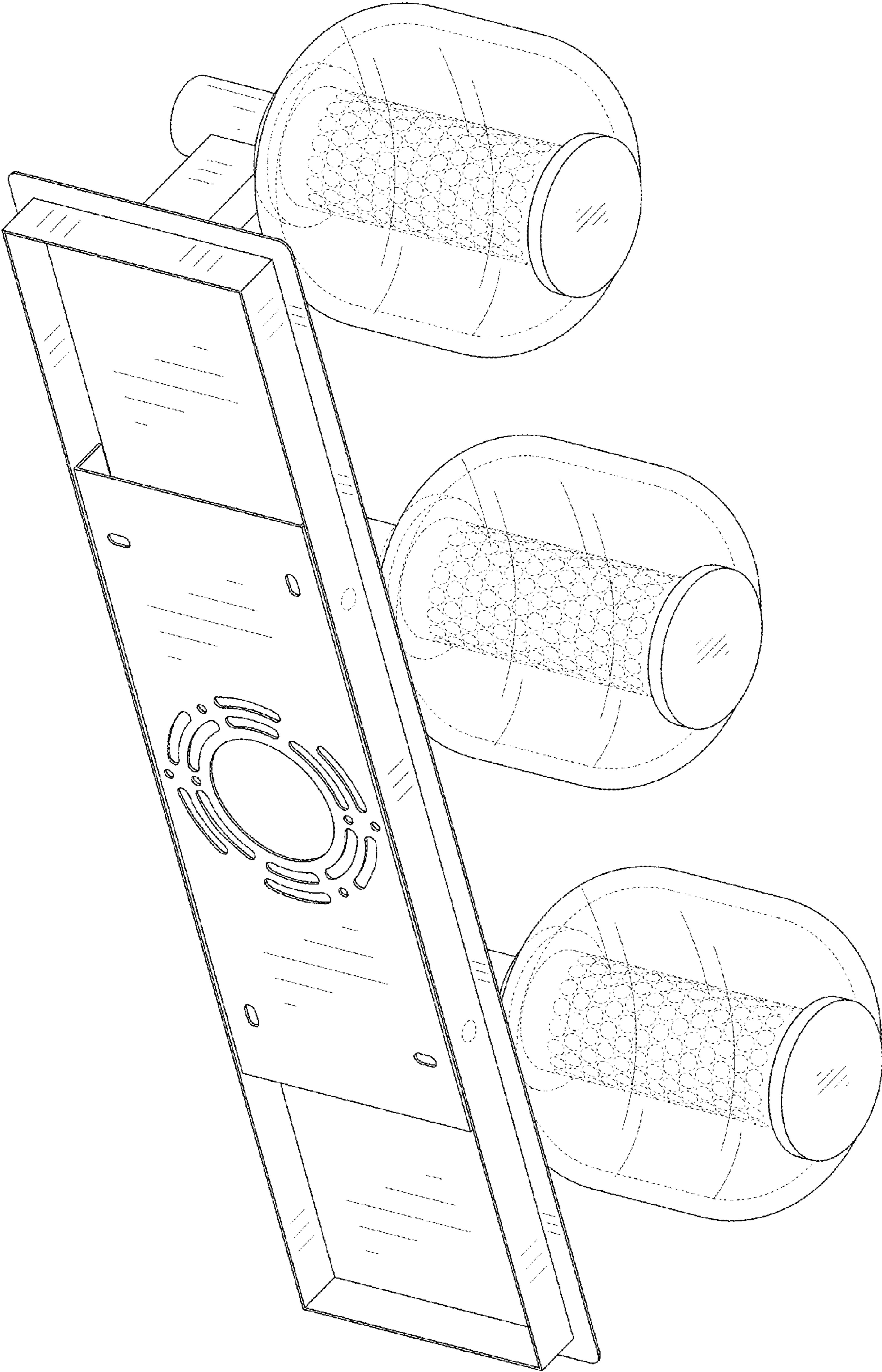


FIG. 2

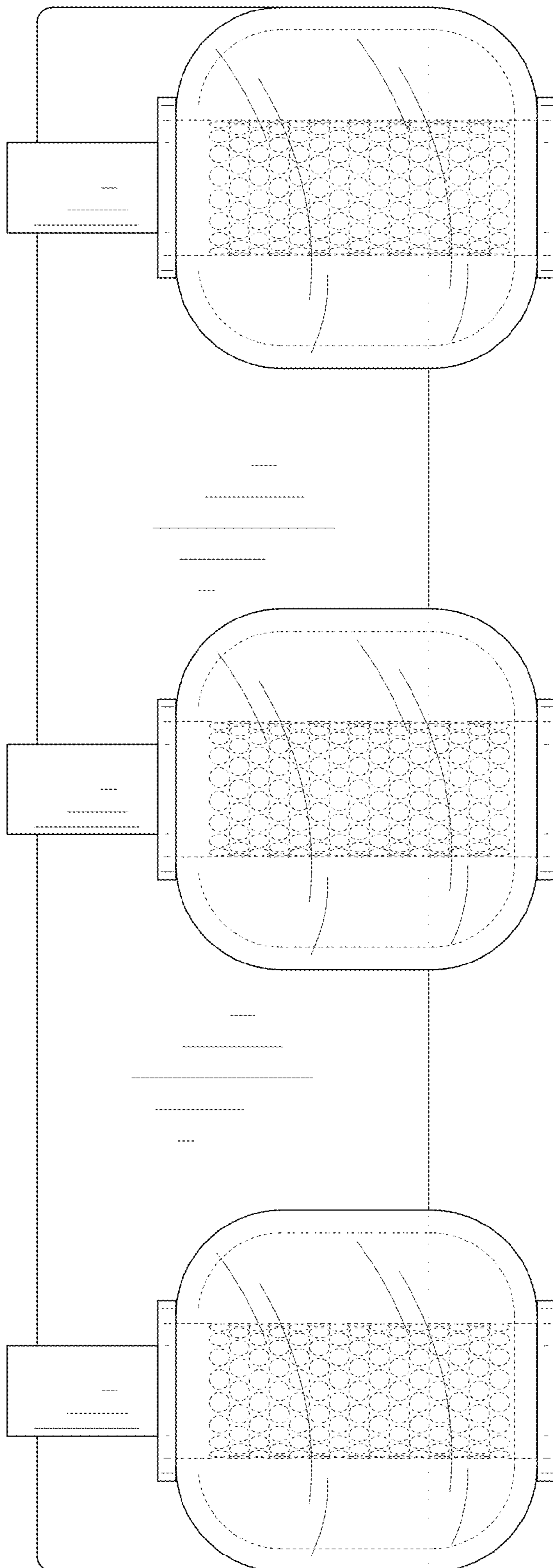


FIG. 3

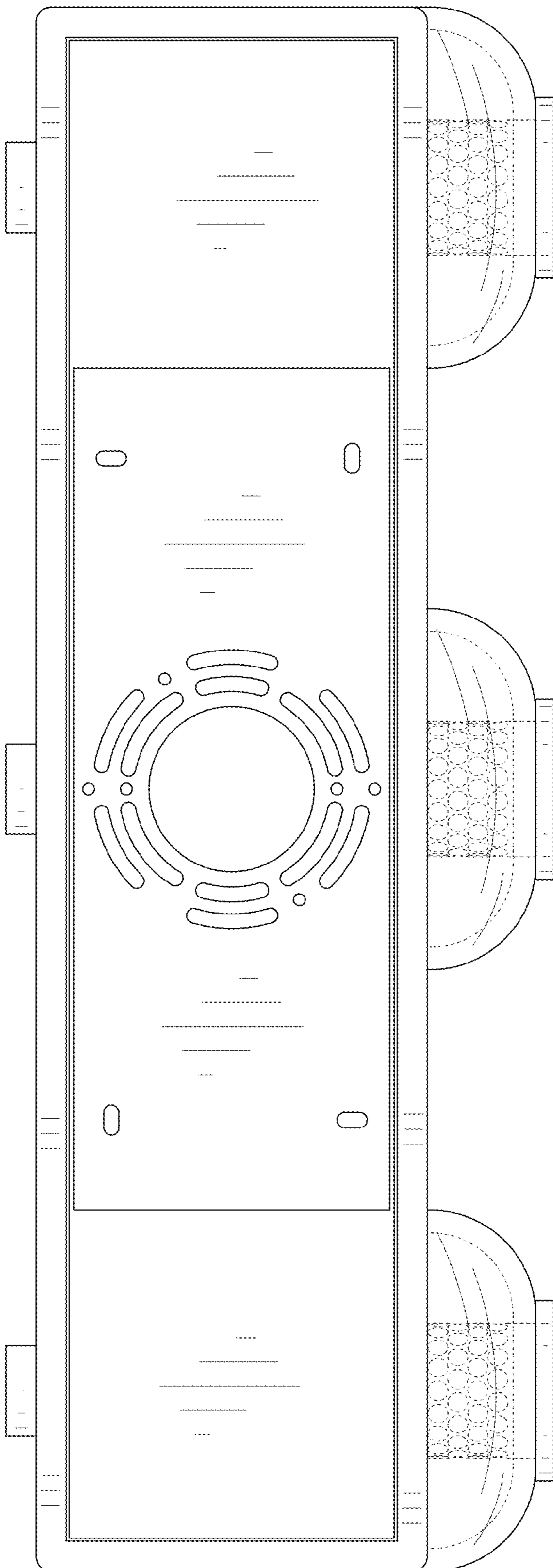


FIG. 4

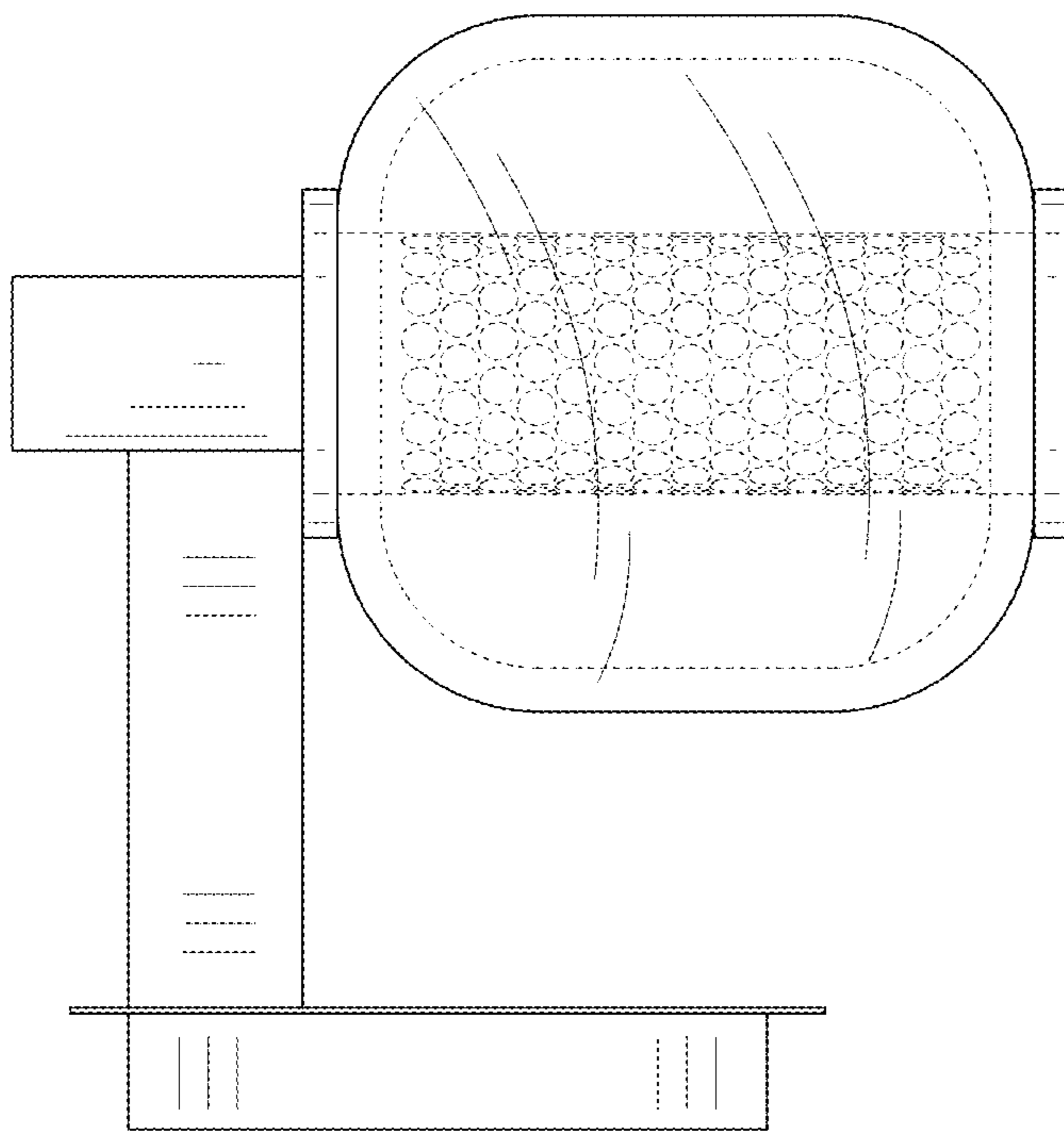


FIG. 5

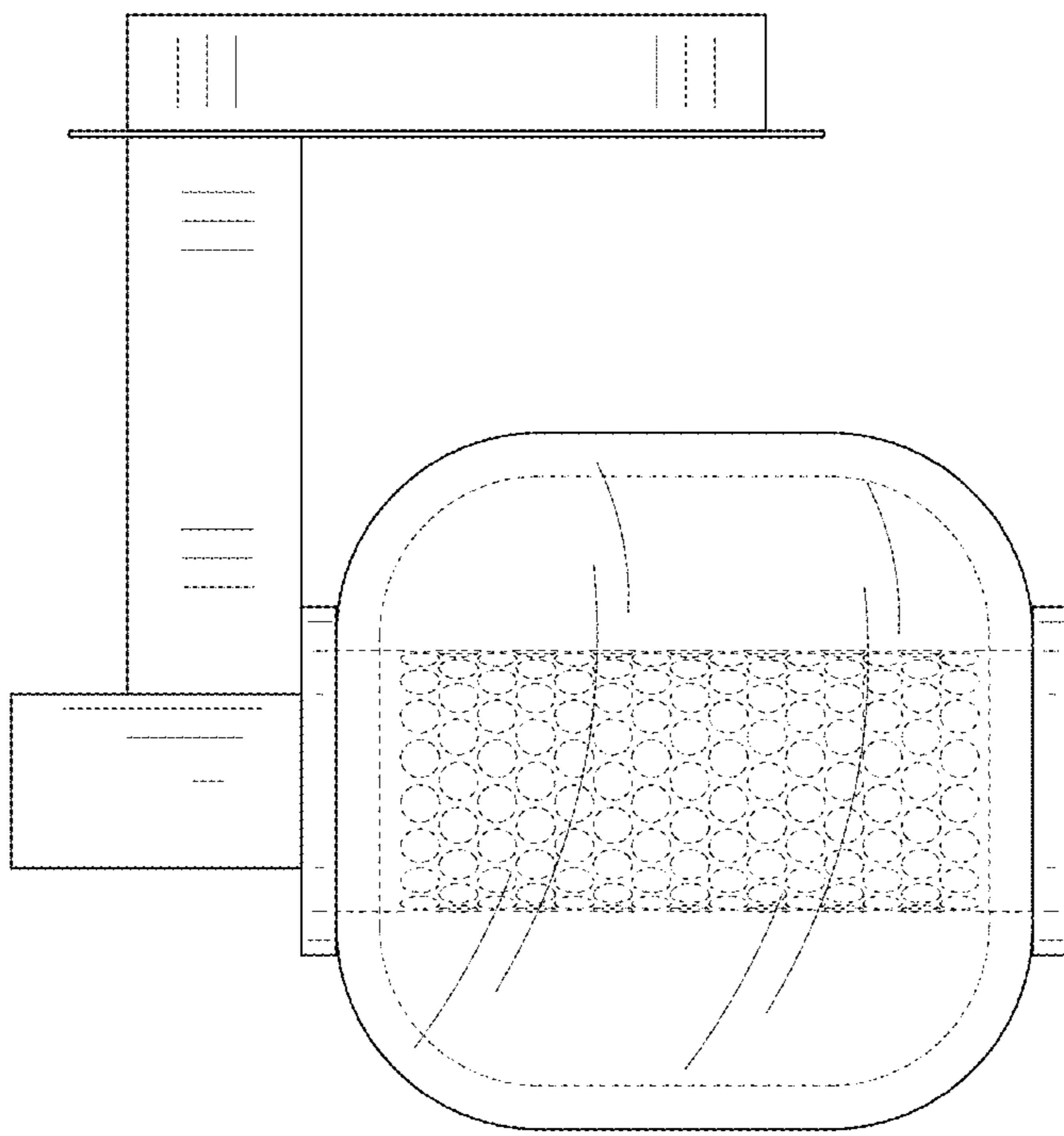


FIG. 6

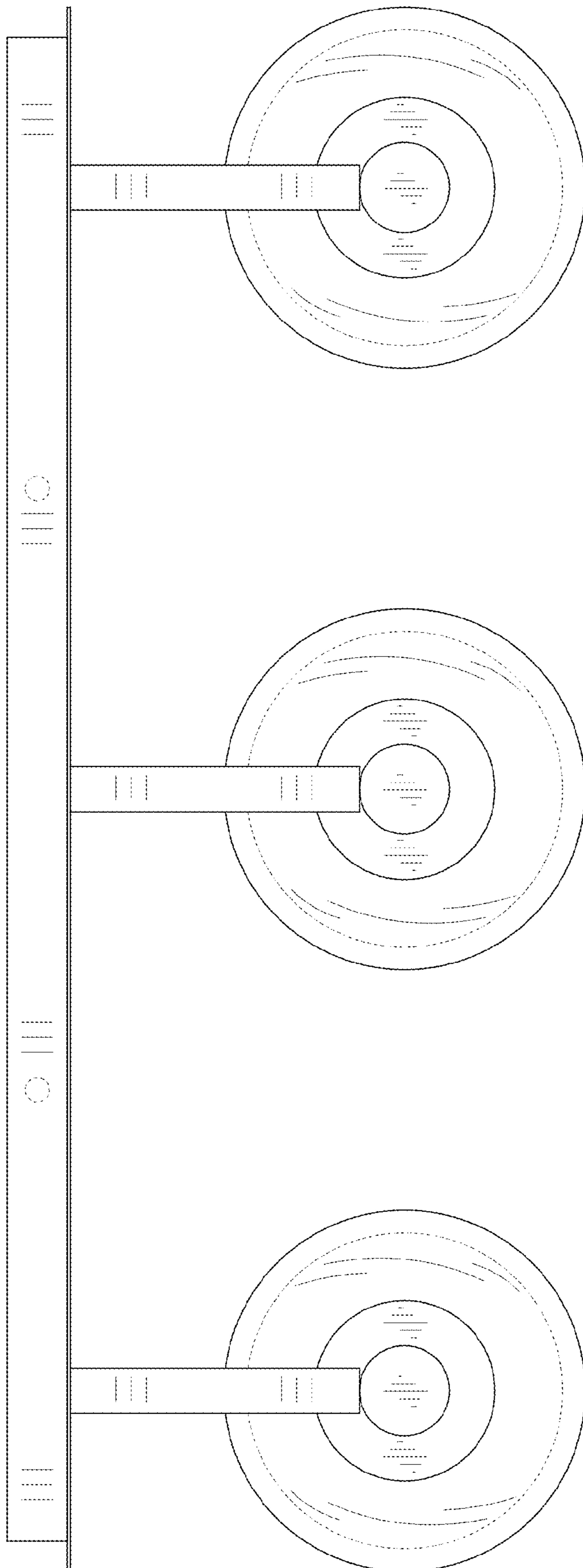


FIG. 7

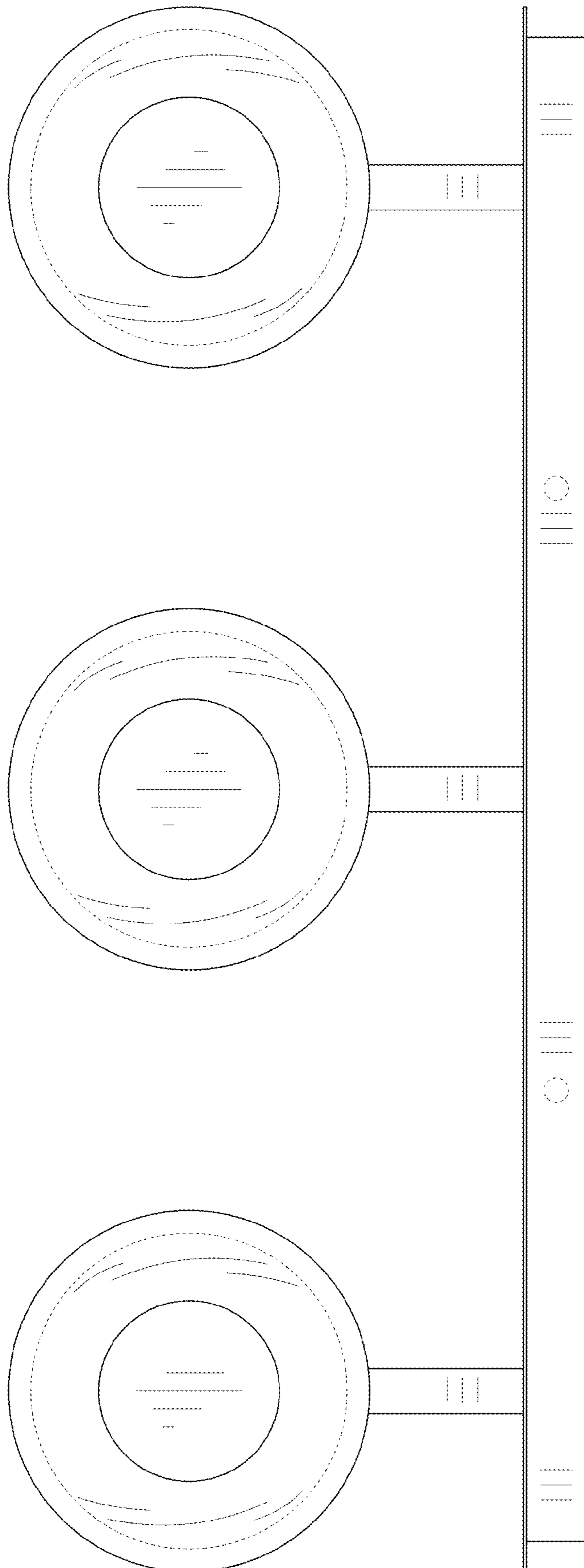


FIG. 8