



US00D934479S

(12) **United States Design Patent**
Liu

(10) **Patent No.:** **US D934,479 S**
(45) **Date of Patent:** **** Oct. 26, 2021**

(54) **SOLAR INDUCTION LAMP**

(71) Applicant: **Heyan Liu**, Dazhou (CN)

(72) Inventor: **Heyan Liu**, Dazhou (CN)

(**) Term: **15 Years**

(21) Appl. No.: **29/758,667**

(22) Filed: **Nov. 17, 2020**

(30) **Foreign Application Priority Data**

Aug. 11, 2020 (CN) 202030452449.8

(51) **LOC (13) Cl.** **26-05**

(52) **U.S. Cl.**
USPC **D26/63**

(58) **Field of Classification Search**
USPC D26/61, 63, 65, 72; D10/106.6, 106.8
CPC F21S 8/03; F21S 8/033; F21S 8/036; F21S
9/037; F21V 21/14; F21V 21/26; F21V
21/30; F21V 17/104; F21V 17/107;
F21W 2131/10; F21W 2131/107
See application file for complete search history.

(56) **References Cited**

U.S. PATENT DOCUMENTS

D774,231 S	*	12/2016	Recker	D26/63
D836,816 S		12/2018	Liu		
D883,547 S	*	5/2020	Li	D26/63
D892,380 S	*	8/2020	Yan	D26/65
D894,461 S	*	8/2020	Recker	D26/63
D894,462 S	*	8/2020	Recker	D26/63
D911,571 S	*	2/2021	Liu	D26/63
D914,261 S	*	3/2021	Ouyang	D26/65
D922,645 S	*	6/2021	Gowing	D26/63

2017/0184293	A1*	6/2017	Chen	F21V 23/0471
2018/0156427	A1*	6/2018	Bailey	F21V 21/02
2019/0212003	A1*	7/2019	Lazear	F21V 21/30

OTHER PUBLICATIONS

Cshidworld Store solar outdoor light ASIN: B088H66GFH sold by Shenzhen Cshidworld Technology Co., Ltd. at amazon.com May 12, 2020. (Year: 2020).*
Uooser Solar Light Outdoor, ASIN: B0932SZT3G at amazon.com Apr. 22, 2021. (Year: 2021).*

* cited by examiner

Primary Examiner — Clare E Heflin

(74) *Attorney, Agent, or Firm* — ScienBiziP, P.C.

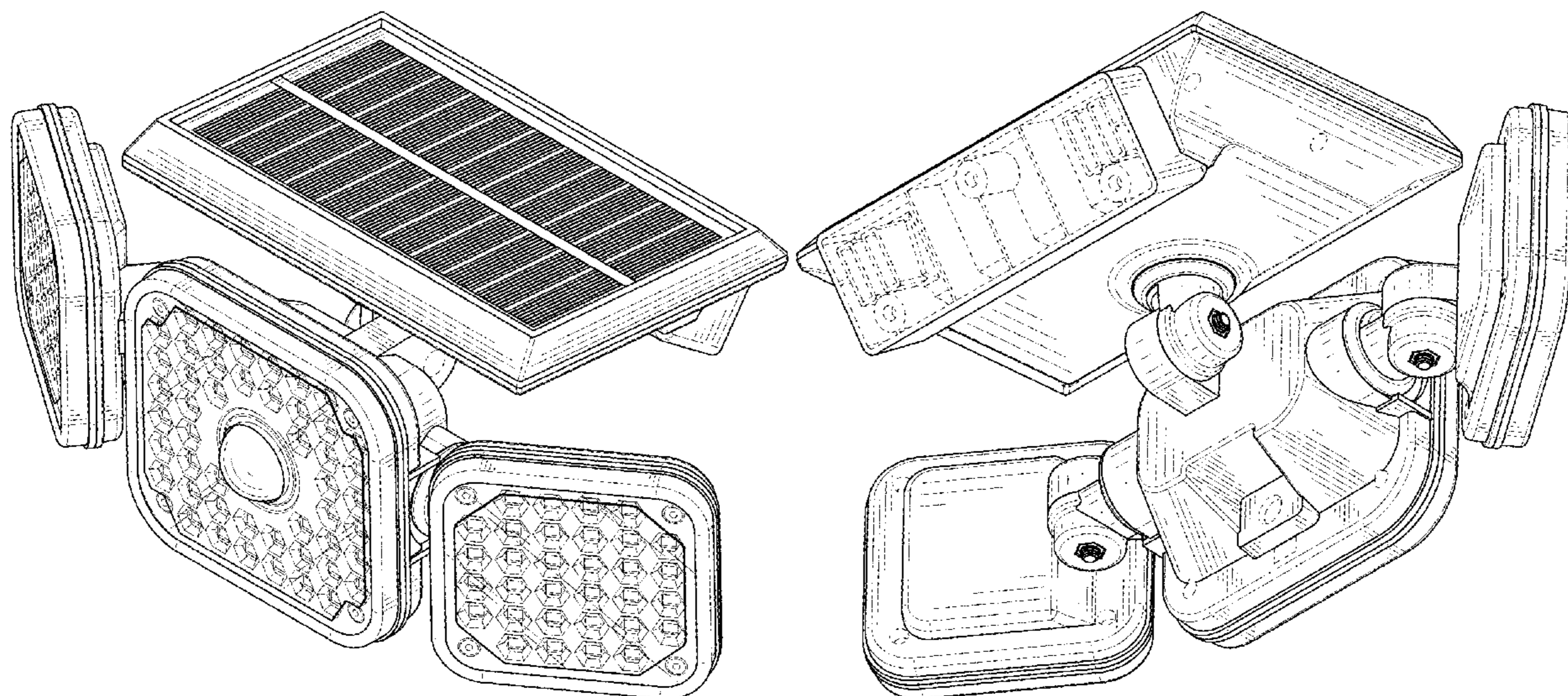
(57) **CLAIM**

The ornamental design for a solar induction lamp, as shown and described.

DESCRIPTION

FIG. 1 is a front and top perspective view of a solar induction lamp, showing my design.
FIG. 2 is a rear and bottom perspective view thereof.
FIG. 3 is a front elevation view thereof.
FIG. 4 is a rear elevation view thereof.
FIG. 5 is a left side elevation thereof.
FIG. 6 is a right side elevation thereof.
FIG. 7 is a top plan view thereof; and,
FIG. 8 is a bottom plan view thereof.
The broken lines illustrate portions of the solar induction lamp that form no part of the claimed design.

1 Claim, 8 Drawing Sheets



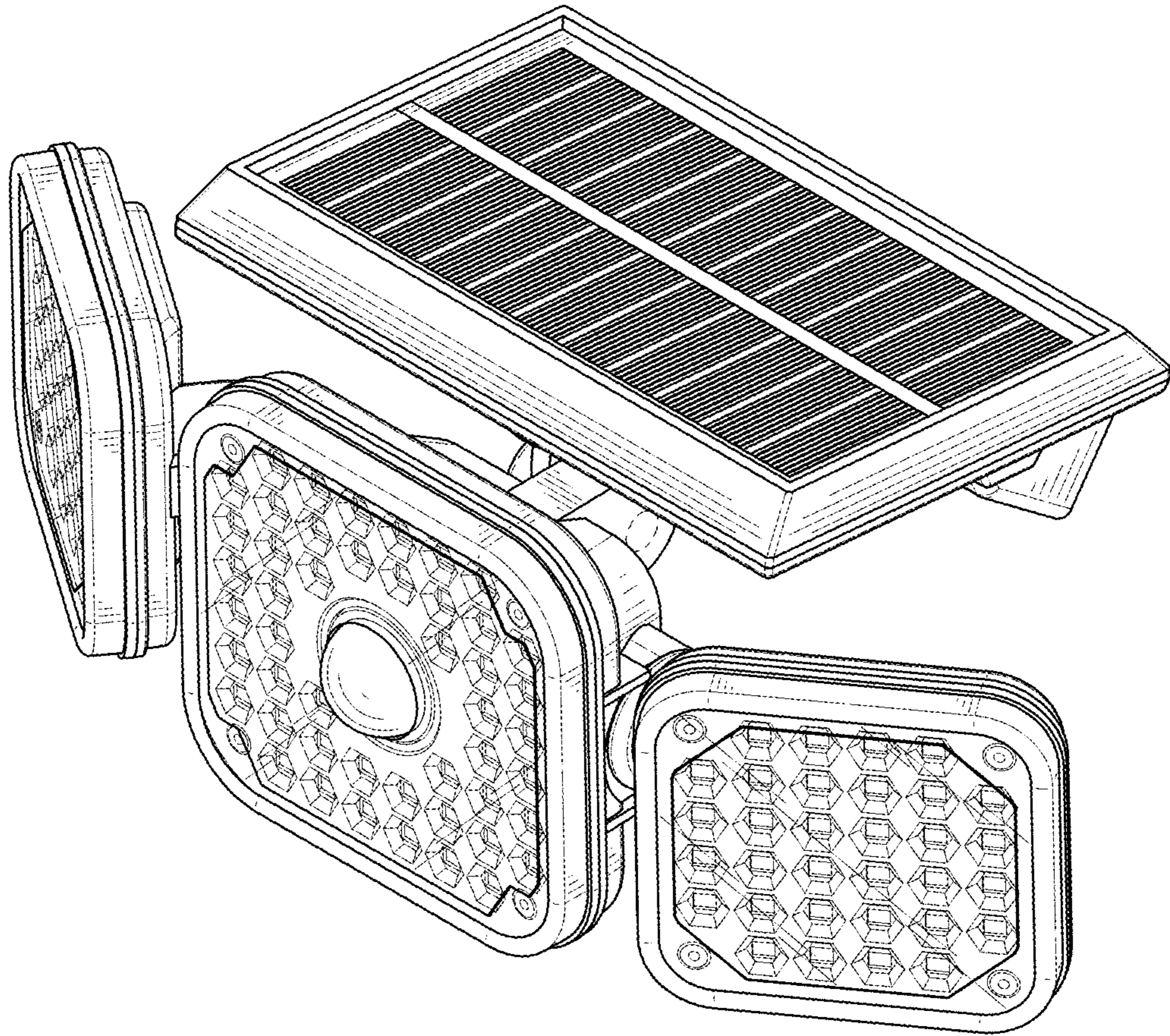


FIG. 1

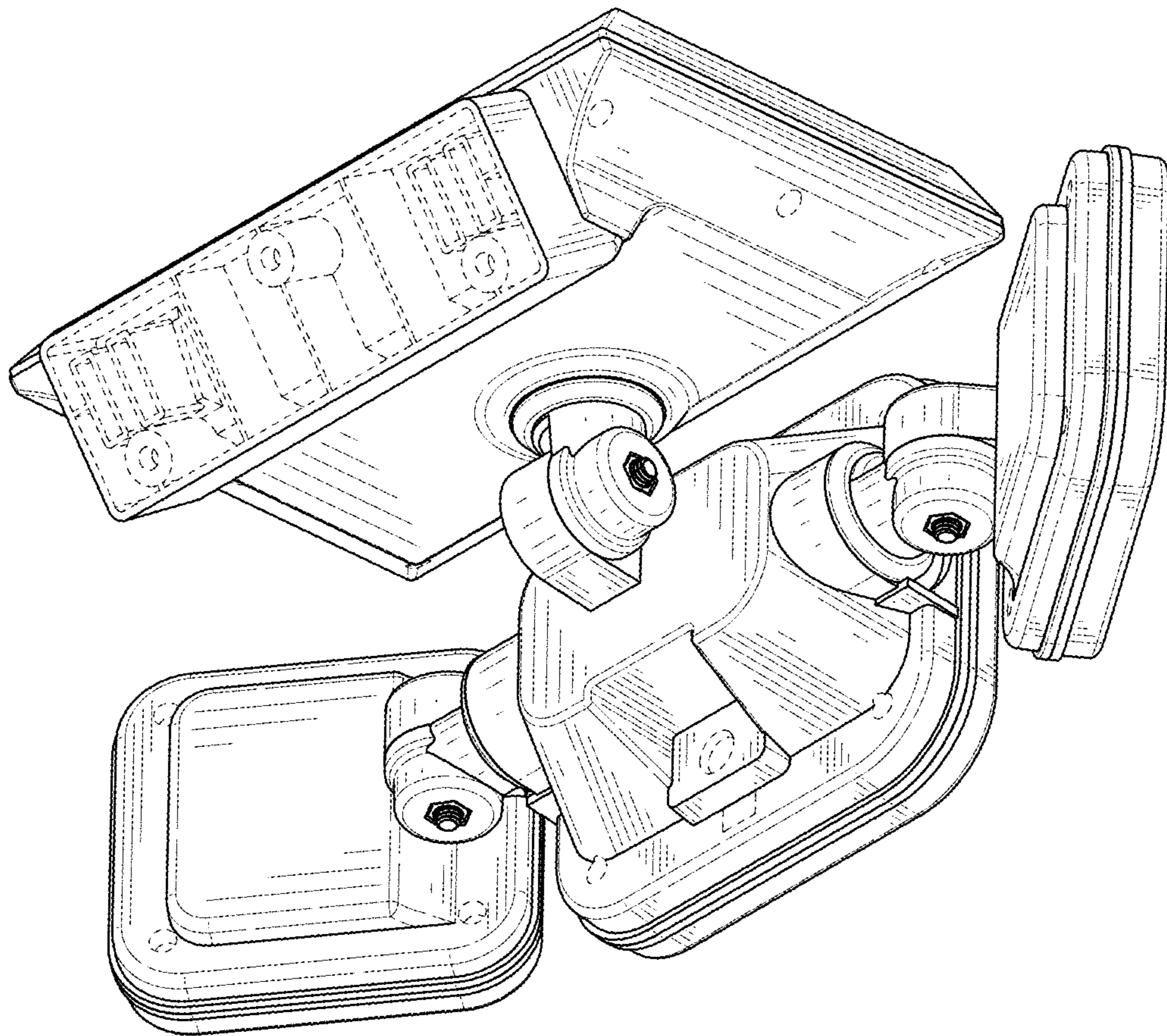


FIG. 2

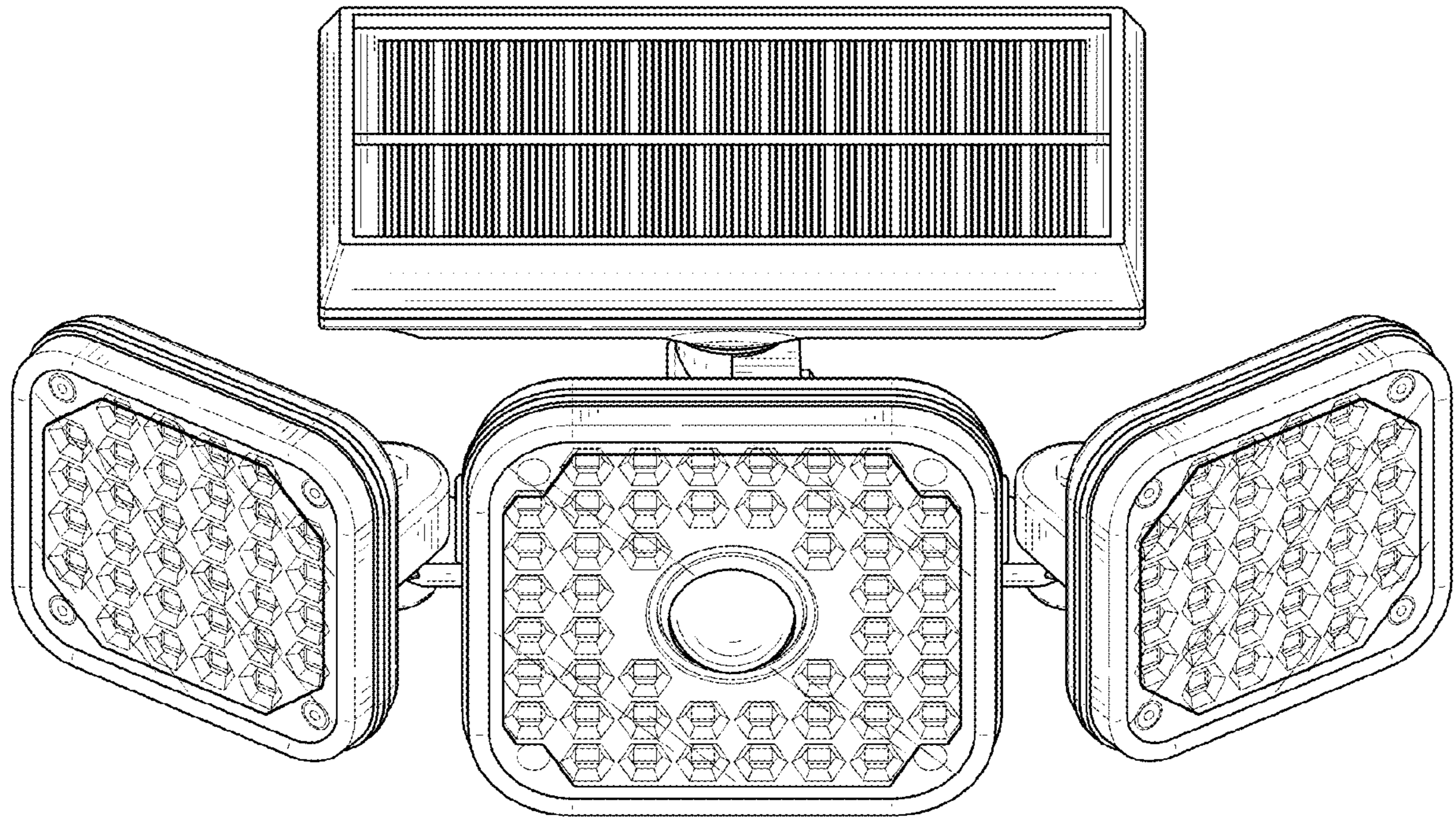


FIG. 3

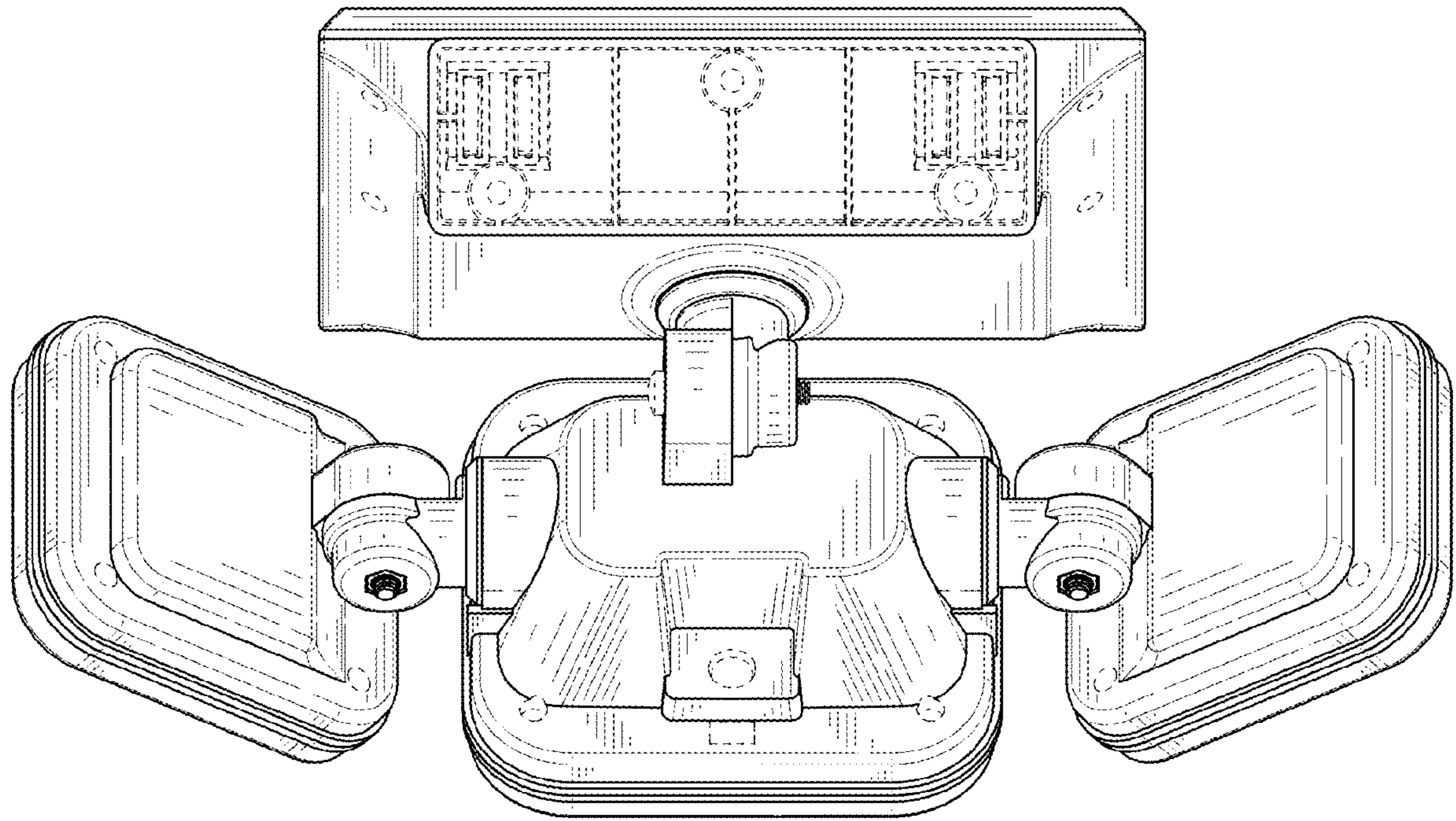


FIG. 4

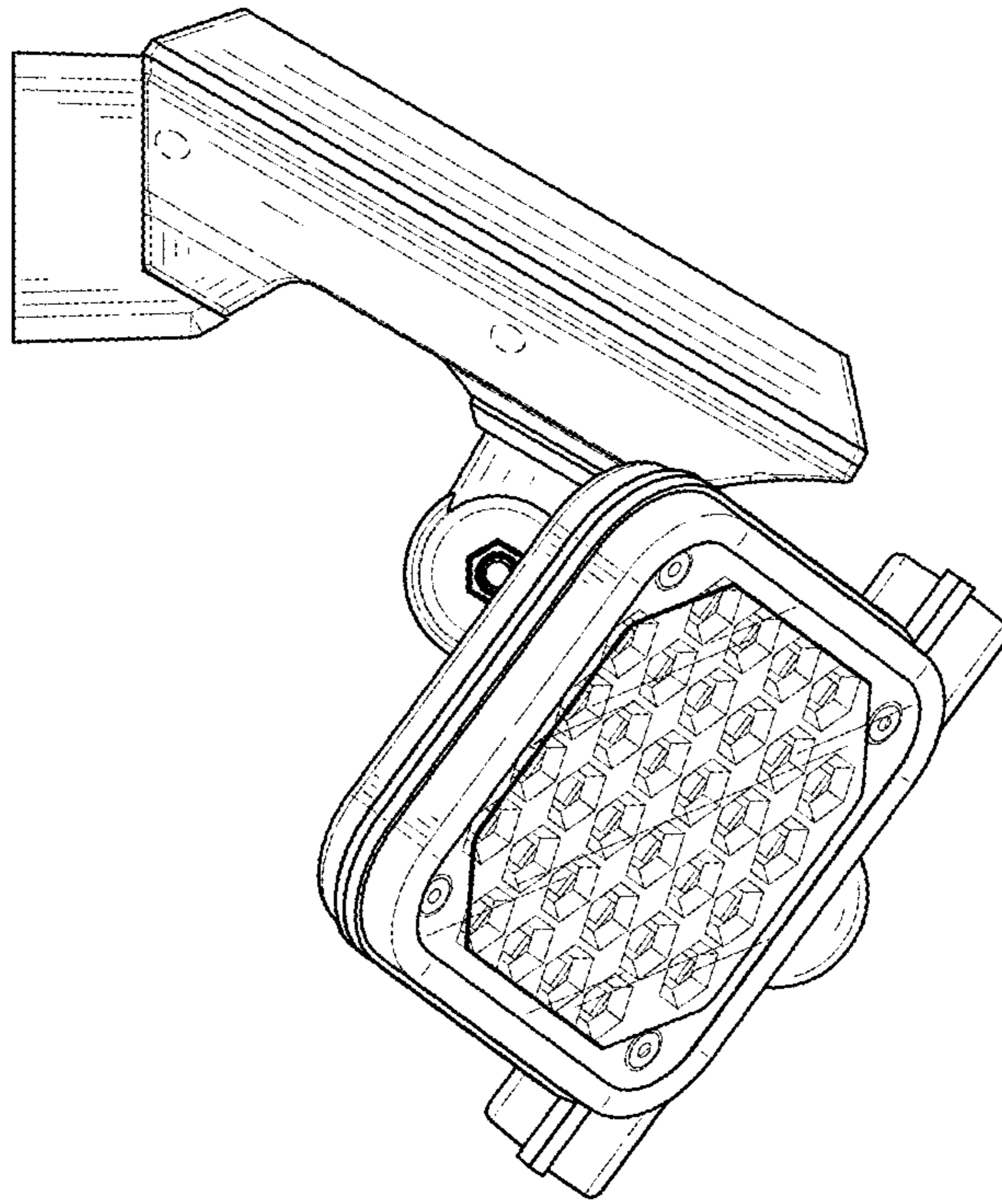


FIG. 5

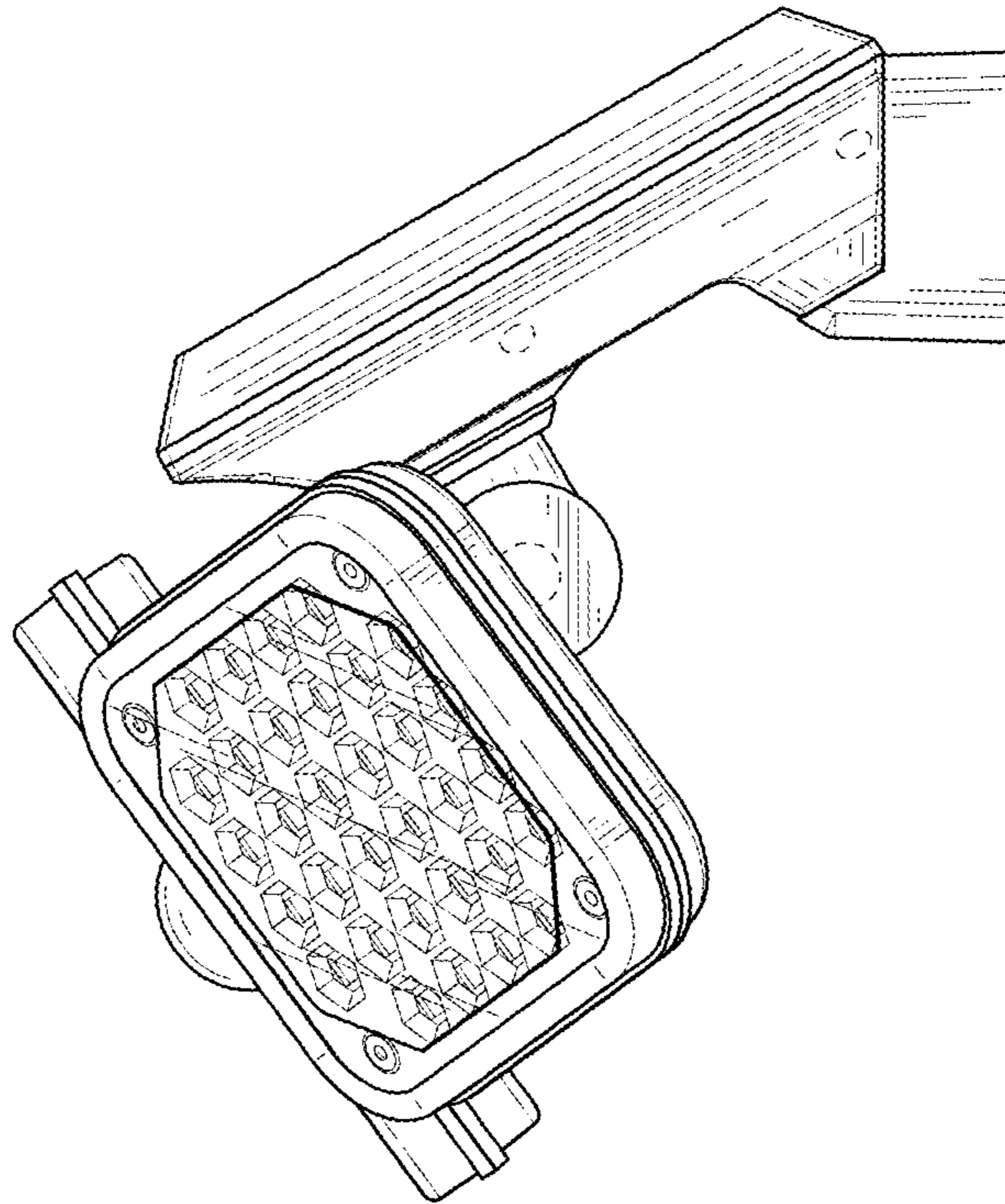


FIG. 6

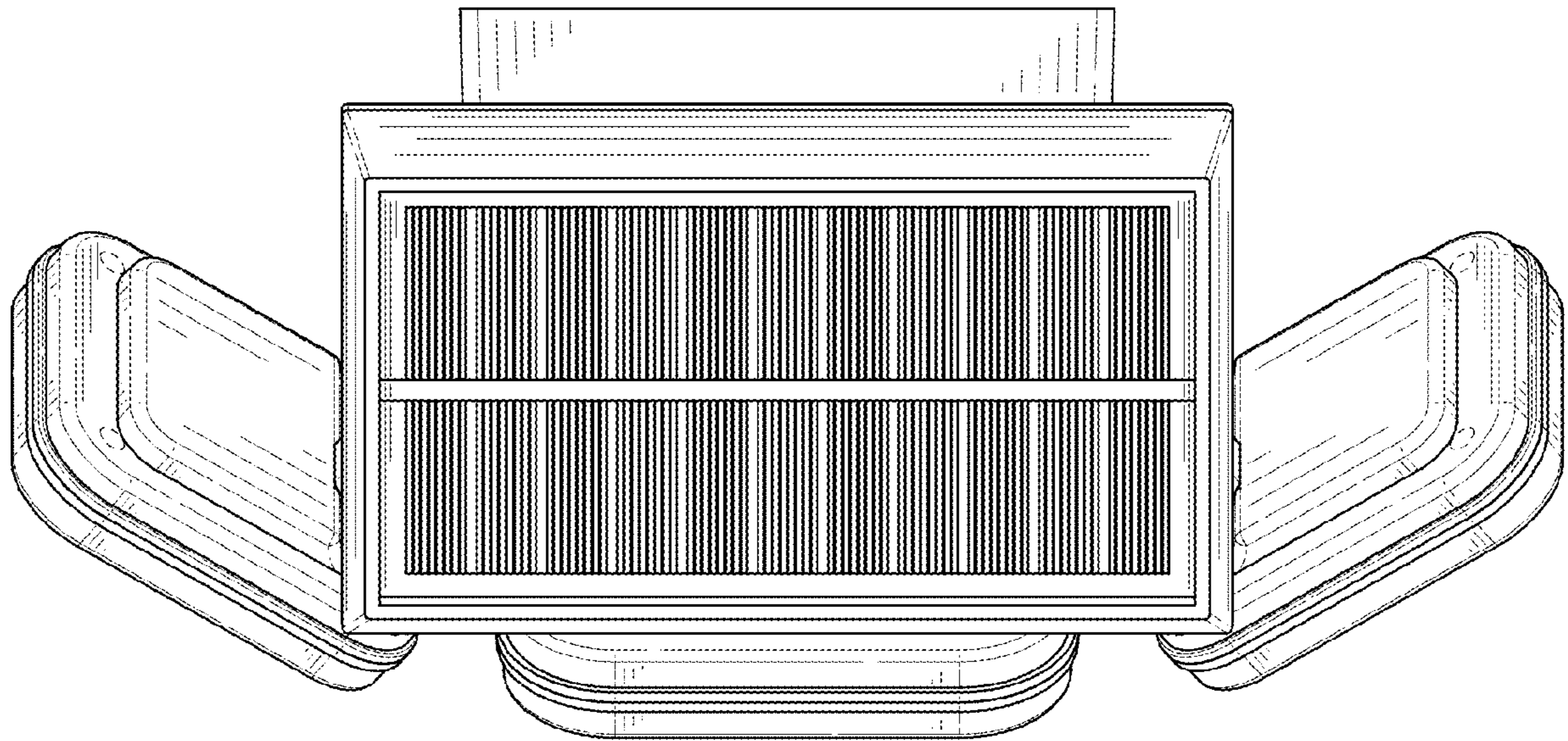


FIG. 7

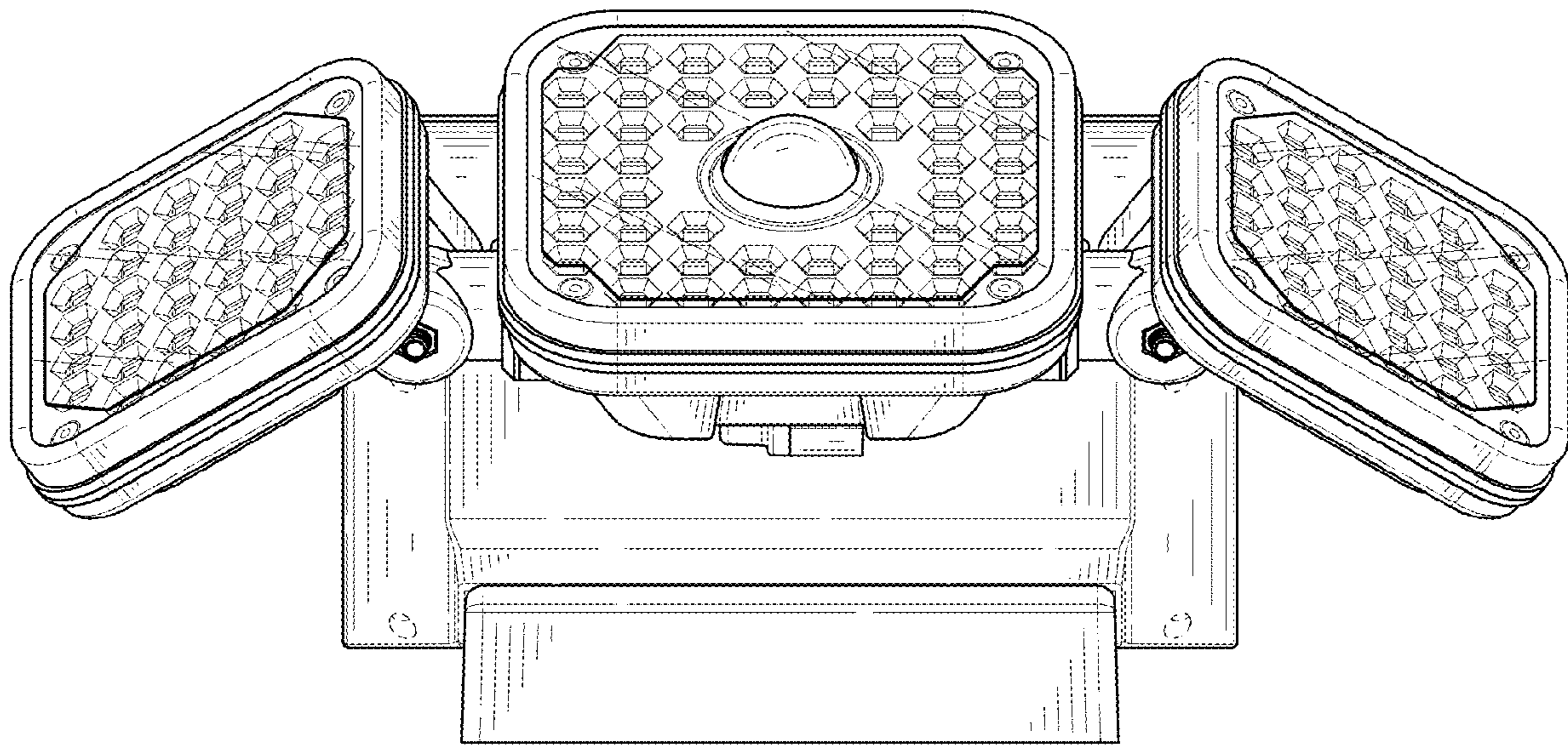


FIG. 8