



US00D934478S

(12) **United States Design Patent** (10) **Patent No.:** **US D934,478 S**
Hu (45) **Date of Patent:** **** Oct. 26, 2021**

(54) **SOLAR SPOTLIGHT**

(56) **References Cited**

(71) Applicant: **Ningbo Exquisite Electrical Appliance Co., Ltd., Ningbo (CN)**

U.S. PATENT DOCUMENTS

(72) Inventor: **Jianke Hu, Ningbo (CN)**

D866,637 S	*	11/2019	Xie	D16/203
D903,921 S	*	12/2020	Zhuo	D26/63
D905,312 S	*	12/2020	Zhuo	D26/63
D921,261 S	*	6/2021	Qiu	D26/67
D922,646 S	*	6/2021	Huang	D26/63

(73) Assignee: **NINGBO EXQUISITE ELECTRICAL APPLIANCE CO., LTD., Ningbo (CN)**

* cited by examiner

(**) Term: **15 Years**

Primary Examiner — George D. Kirschbaum

Assistant Examiner — Joseph J Kukella

(21) Appl. No.: **29/714,022**

(74) *Attorney, Agent, or Firm* — Muncy, Geissler, Olds & Lowe, P.C.

(22) Filed: **Nov. 20, 2019**

(57) **CLAIM**

The ornamental design for a solar spotlight, as shown and described.

(30) **Foreign Application Priority Data**

DESCRIPTION

May 21, 2019 (CN) 201930249675.3

(51) **LOC (13) Cl.** **26-05**

FIG. 1 is a front elevational view a solar spotlight showing my new design;

(52) **U.S. Cl.**
USPC **D26/63**

FIG. 2 is a rear elevational view thereof;

(58) **Field of Classification Search**
USPC D10/106.6, 106.7, 106.8; D26/61–66
CPC F21S 8/03; F21S 8/032; F21S 8/033; F21S 9/03; F21S 9/032; F21S 9/035; F21S 9/037; F21V 21/30

FIG. 3 is a left side view thereof;

FIG. 4 is a right side view thereof;

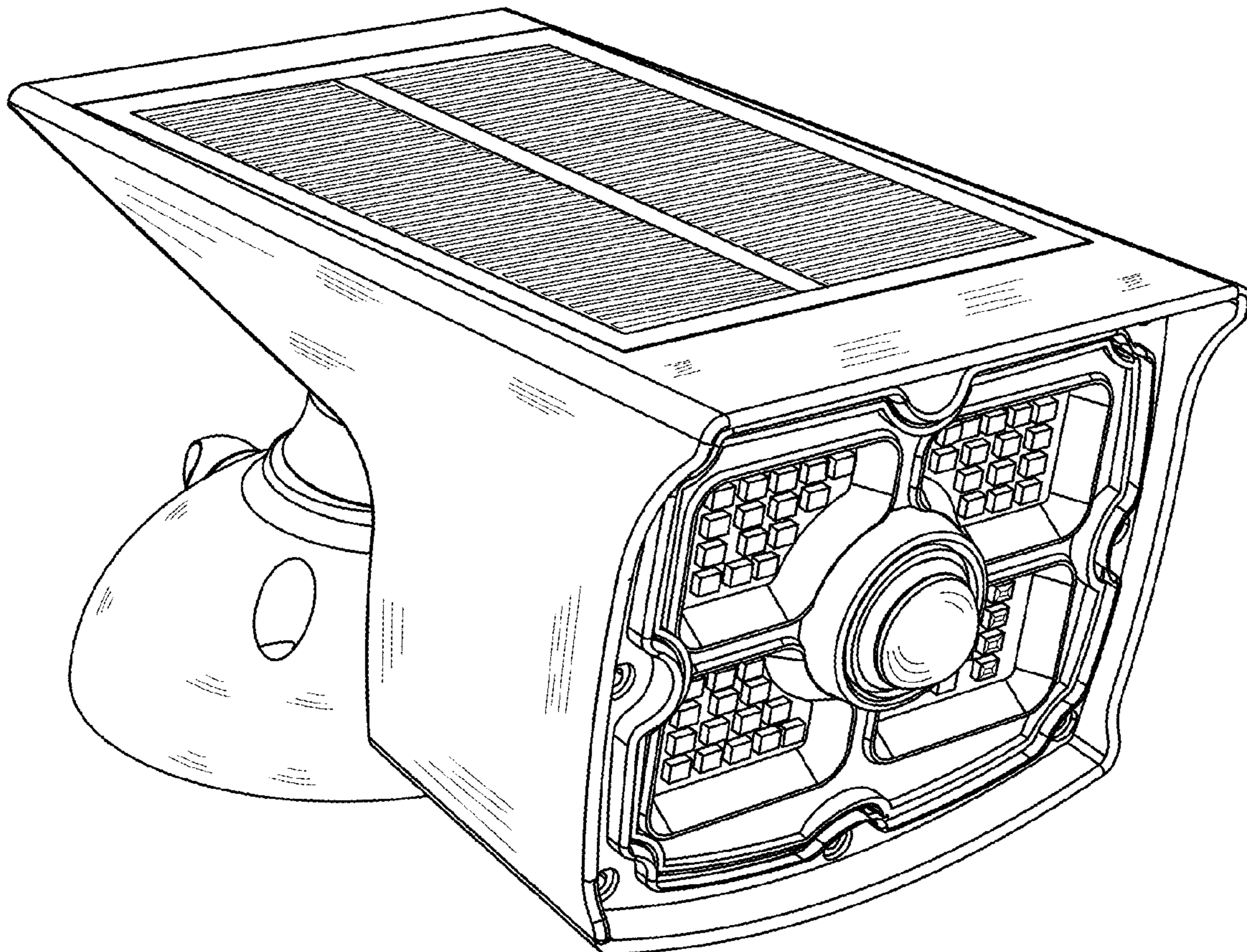
FIG. 5 is a top plan view thereof;

FIG. 6 is a bottom plan view thereof; and,

FIG. 7 is perspective view thereof.

See application file for complete search history.

1 Claim, 7 Drawing Sheets



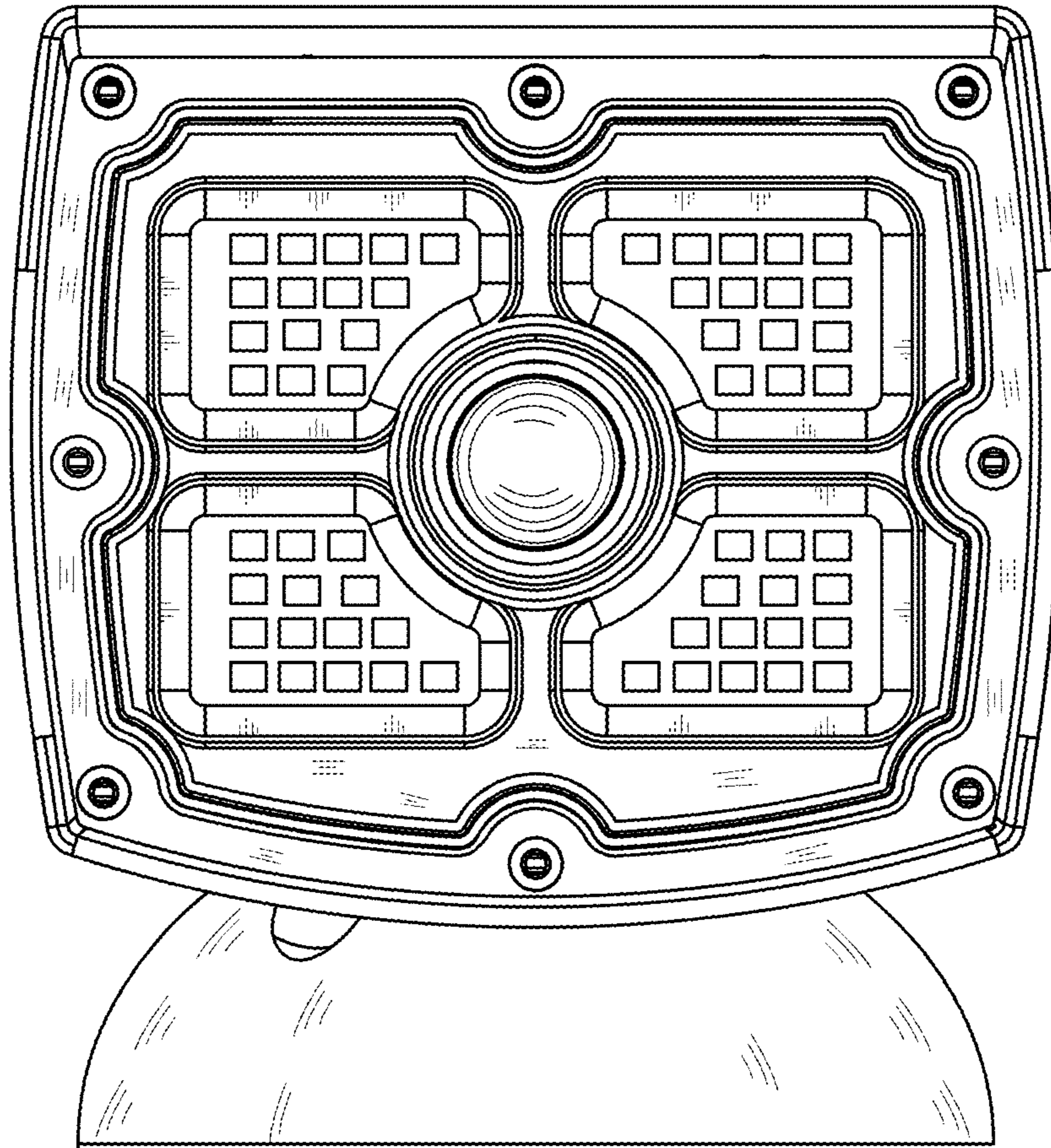


FIG. 1

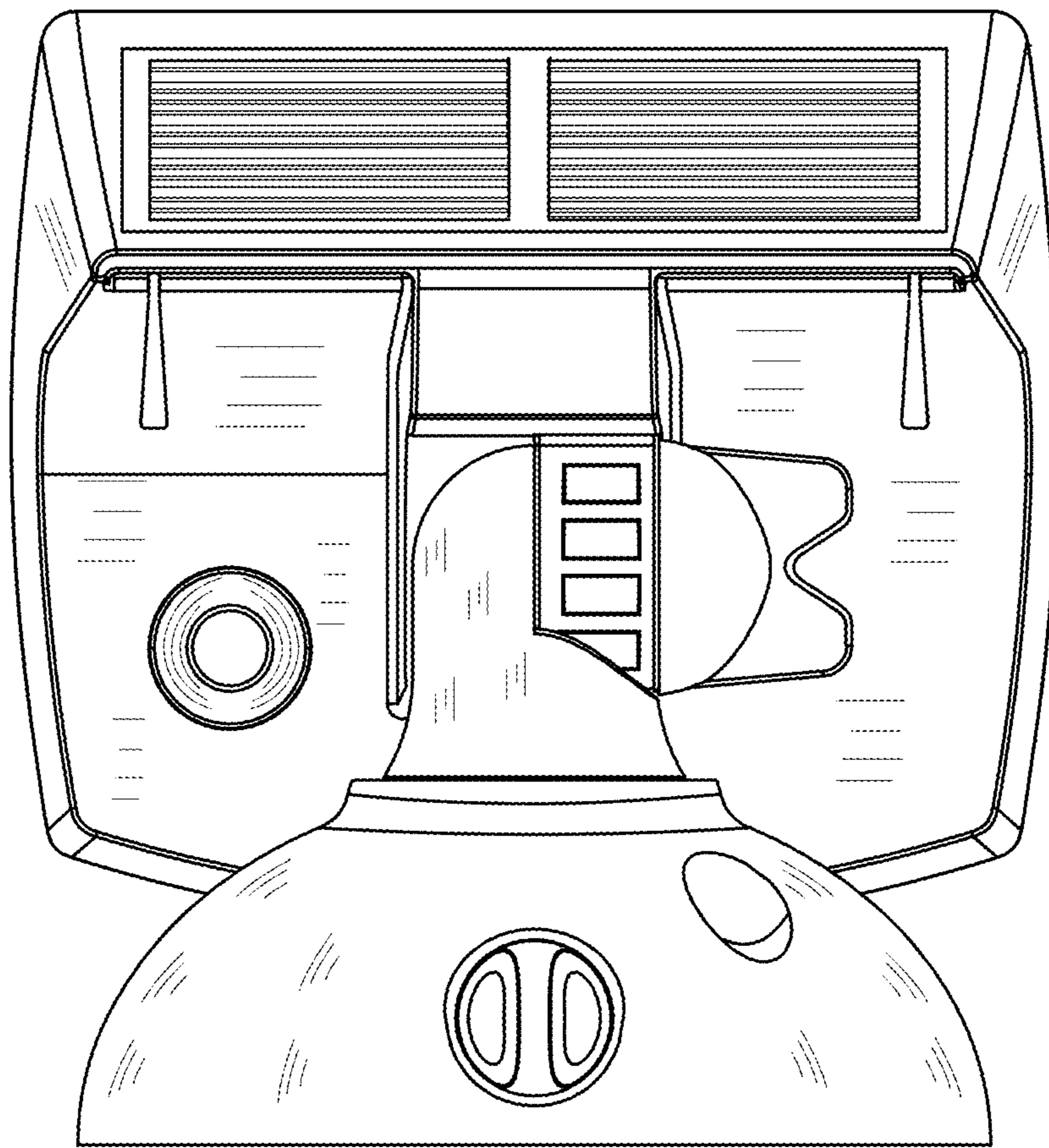


FIG. 2

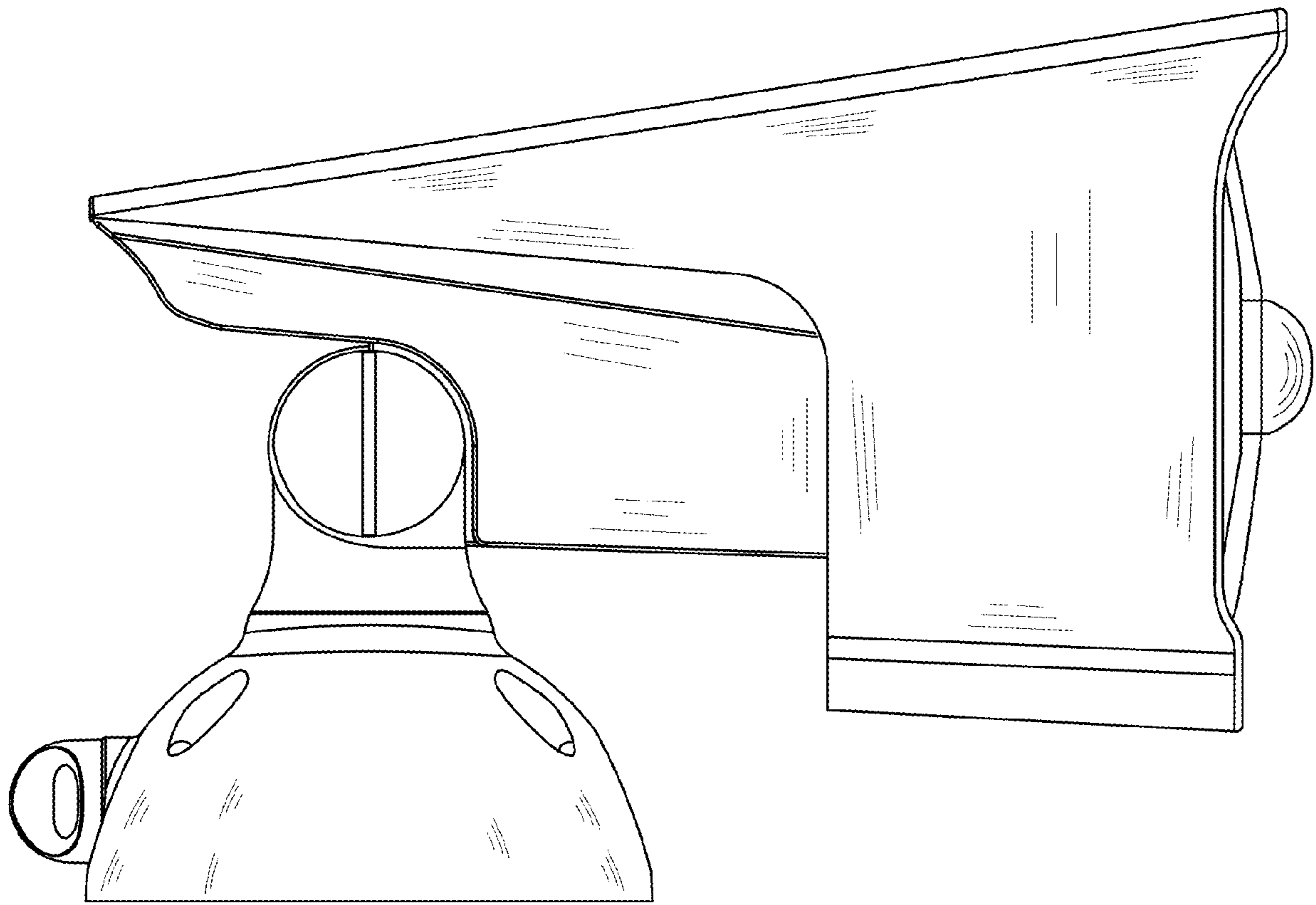


FIG. 3

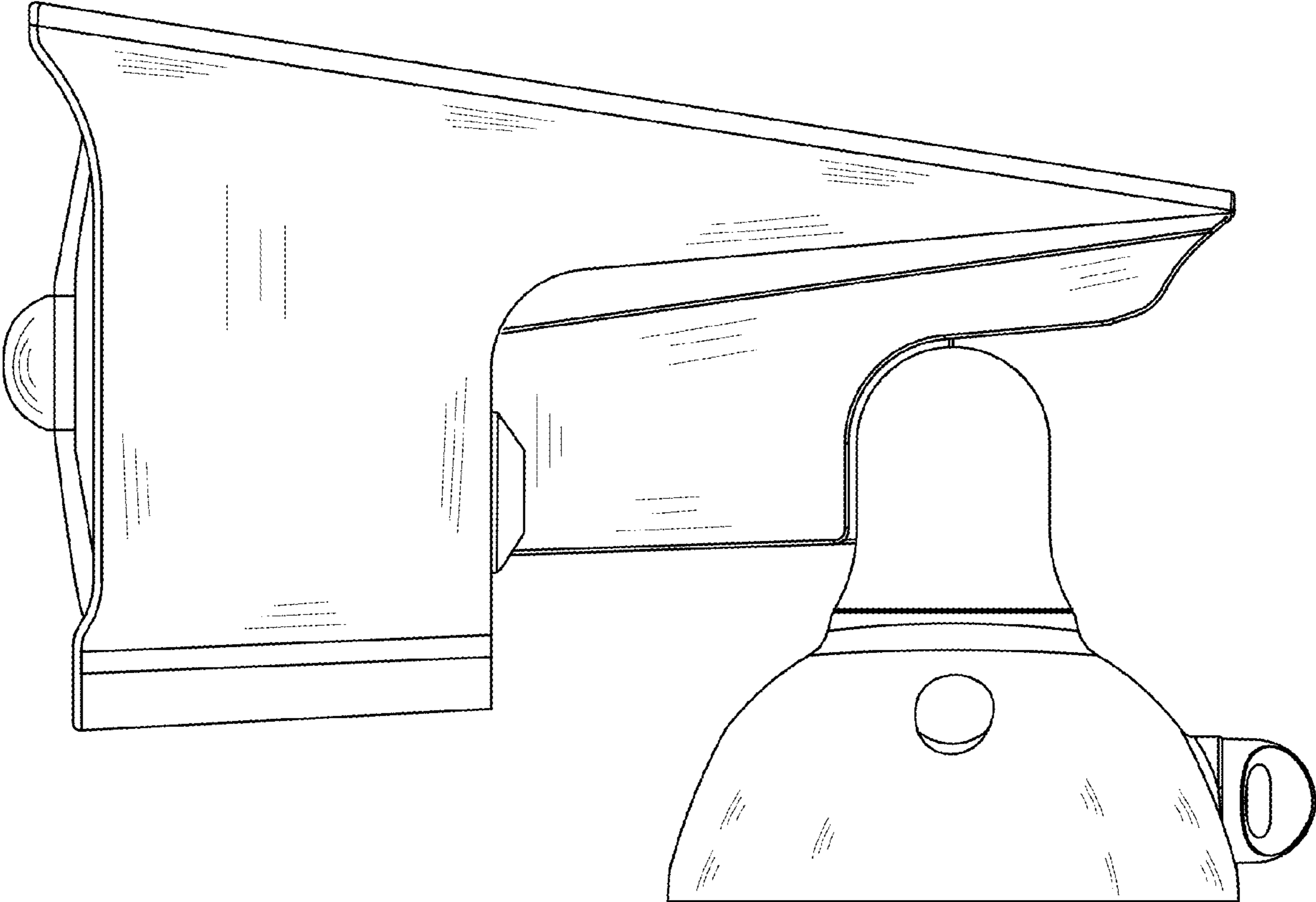


FIG. 4

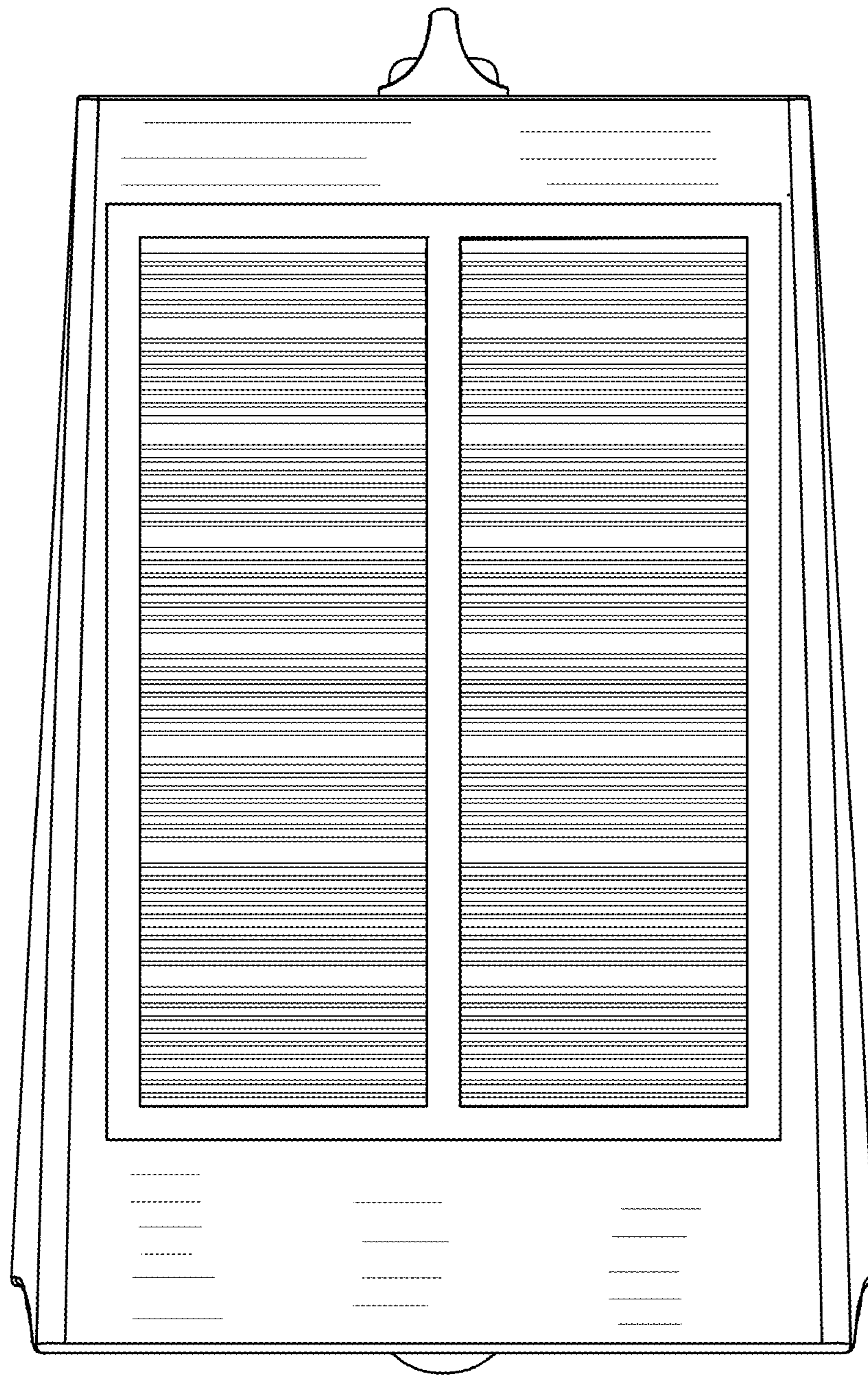


FIG. 5

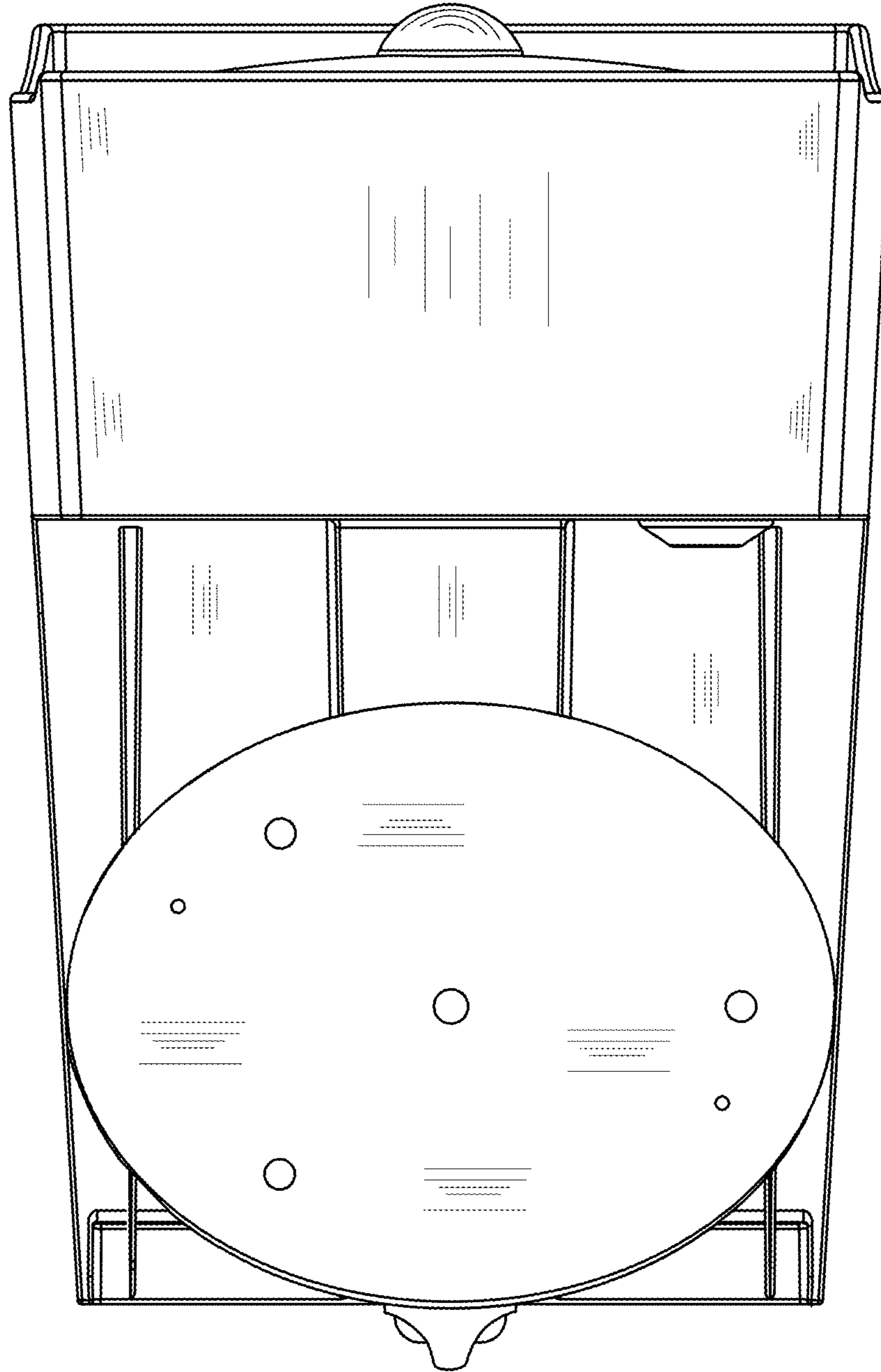


FIG. 6

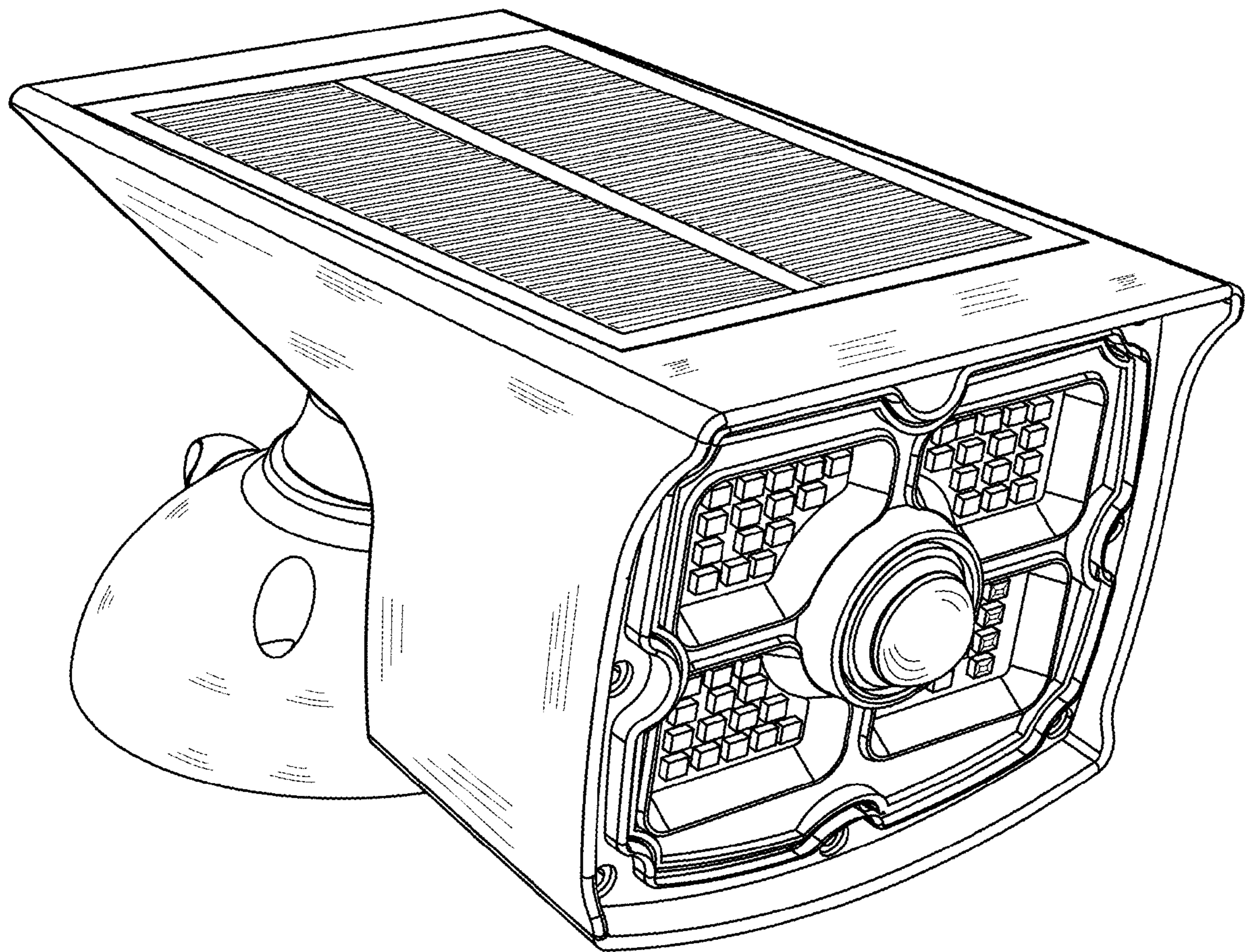


FIG. 7