



US00D934475S

(12) **United States Design Patent** (10) **Patent No.:** **US D934,475 S**
Umeda et al. (45) **Date of Patent:** **** Oct. 26, 2021**

(54) **CUP HOLDER LIGHT LENS**
(71) Applicant: **TOYODA GOSEI CO., LTD.**, Kiyosu (JP)
(72) Inventors: **Yukihiko Umeda**, Kiyosu (JP); **Shinichi Ogawa**, Nagoya (JP)
(73) Assignee: **TOYODA GOSEI CO., LTD.**, Aichi-pref. (JP)
(**) Term: **15 Years**
(21) Appl. No.: **29/626,191**
(22) Filed: **Nov. 15, 2017**

(30) **Foreign Application Priority Data**
Jun. 1, 2017 (JP) 2017-011901
(51) **LOC (13) Cl.** **26-05**
(52) **U.S. Cl.**
USPC **D26/51**; D12/419; D7/620
(58) **Field of Classification Search**
USPC D26/37, 38, 51, 113, 24, 39-50, D26/118-119; D12/419, 424; D7/620
CPC F21L 2003/00; F21L 4/00; F21L 4/005; F21L 4/02; F21L 4/025; F21L 4/027; F21L 4/04; F21L 4/08; F21L 2005/00; F21L 7/00; F21L 11/00; F21L 13/00; F21L 13/04; F21L 13/08; F21L 14/02; F21L 17/00; F21L 19/00; F21L 25/00
See application file for complete search history.

(56) **References Cited**
U.S. PATENT DOCUMENTS
D322,864 S * 12/1991 Jones D26/113
D374,203 S * 10/1996 Martinez D12/177
D429,618 S * 8/2000 Tieu D8/331
D433,522 S * 11/2000 Kim D26/38
D478,860 S * 8/2003 Young D12/419

D489,074 S * 4/2004 Nishioka D14/448
D519,441 S * 4/2006 Lee D12/419
D524,974 S * 7/2006 Zernov D26/37
D564,387 S * 3/2008 Rubin D10/104.1
D595,887 S * 7/2009 Blom D26/51
D651,328 S * 12/2011 Wahl D26/24

(Continued)

Primary Examiner — Marissa J Cash
Assistant Examiner — William B Melliar
(74) *Attorney, Agent, or Firm* — Posz Law Group, PLC

(57) **CLAIM**

The ornamental design for a cup holder light lens, as shown and described.

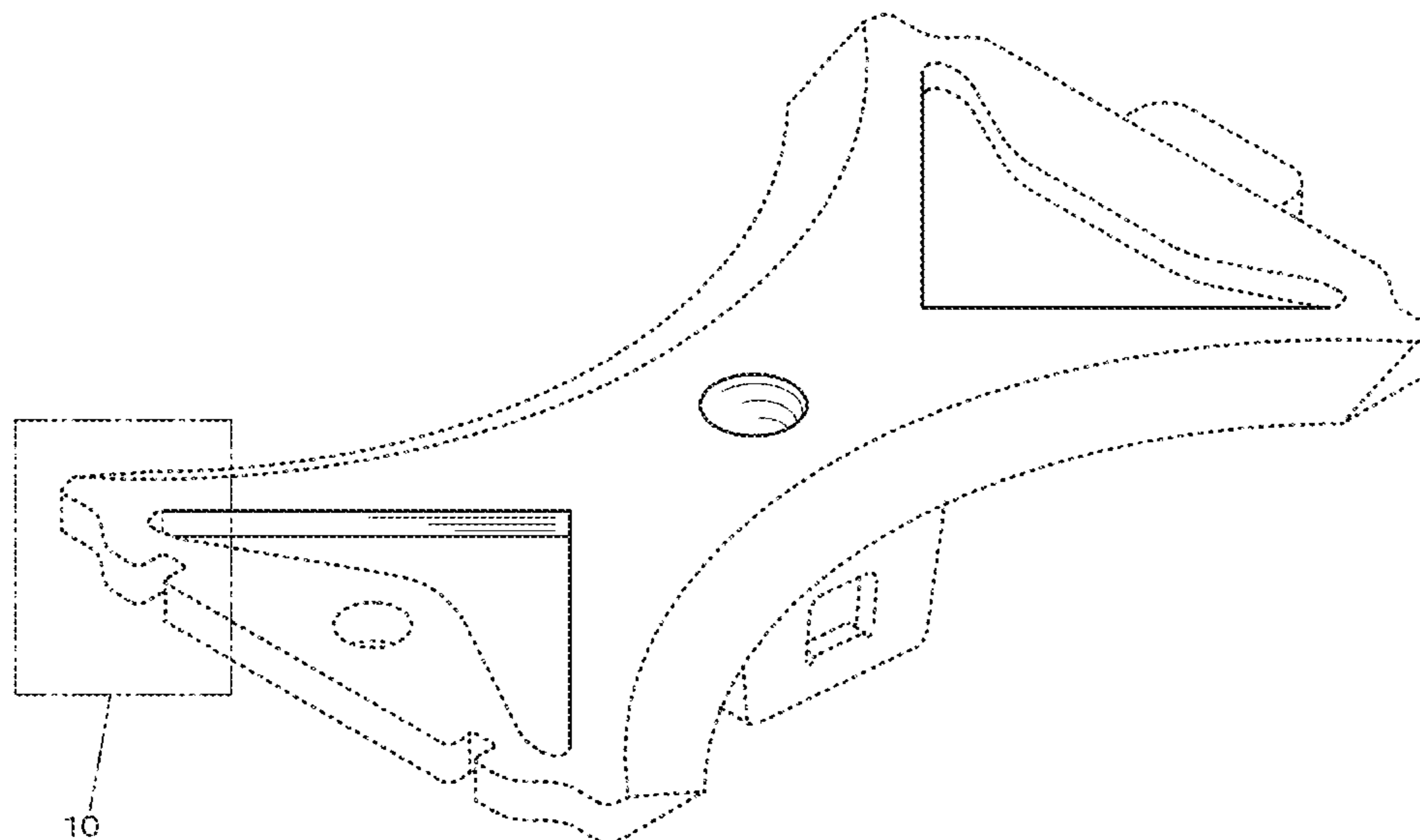
DESCRIPTION

FIG. 1 is a top plan perspective view of a cup holder light lens;
FIG. 2 is a bottom perspective view thereof;
FIG. 3 is a front view thereof;
FIG. 4 is a rear view thereof;
FIG. 5 is a right side view thereof; the left side being a mirror image;
FIG. 6 is a top plan view thereof;
FIG. 7 is a bottom view thereof;
FIG. 8 is an end view taken along line 8-8 in FIG. 6;
FIG. 9 is an end view taken along line 9-9 in FIG. 6;
FIG. 10 is an enlarged view of portion 10-10 in FIG. 1; and,
FIG. 11 is a reference view showing a state of the present article.

The broken lines in the drawings depict portions of the cup holder light lens that form no part of the claimed design; the dot-dash-dot lines in FIGS. 1 and 10 depict the boundary of the claim and form no part thereof; the dash-dot-dot-dash lines in FIGS. 1 and 10 are for annotative purposes only and form no part thereof; the dash-dot-dot-dash lines in FIG. 11 depict environment and form no part thereof.

This article is transparent entirely.

1 Claim, 11 Drawing Sheets



(56)

References Cited

U.S. PATENT DOCUMENTS

| | | | | |
|--------------|------|---------|-----------------|-----------------------|
| D652,156 | S * | 1/2012 | Li | D26/2 |
| D703,368 | S * | 4/2014 | Oldani | D26/113 |
| D718,699 | S * | 12/2014 | Nirenberg | D12/419 |
| 9,061,427 | B2 * | 6/2015 | Rubin | B26B 11/00 |
| D739,059 | S * | 9/2015 | Trauterer | D26/37 |
| D745,587 | S * | 12/2015 | Leung | D16/203 |
| D755,436 | S * | 5/2016 | Jackson | D26/113 |
| D765,905 | S * | 9/2016 | Oldani | D26/113 |
| D795,022 | S * | 8/2017 | Freeder | D7/620 |
| D860,483 | S * | 9/2019 | Li | D26/2 |
| D875,480 | S * | 2/2020 | Haines | D7/619.1 |
| D892,566 | S * | 8/2020 | Snir | D7/620 |
| D892,567 | S * | 8/2020 | Snir | D7/620 |
| D900,556 | S * | 11/2020 | LaPierre | D7/620 |
| D900,557 | S * | 11/2020 | LaPierre | D7/620 |
| D919,128 | S * | 5/2021 | Schrama | D26/24 |
| D919,129 | S * | 5/2021 | Schrama | D26/24 |
| D919,130 | S * | 5/2021 | Schrama | D26/24 |
| D922,305 | S * | 6/2021 | Yuhasz | D12/419 |
| 2003/0137850 | A1 * | 7/2003 | Liaw | A42B 3/044 362/474 |

* cited by examiner

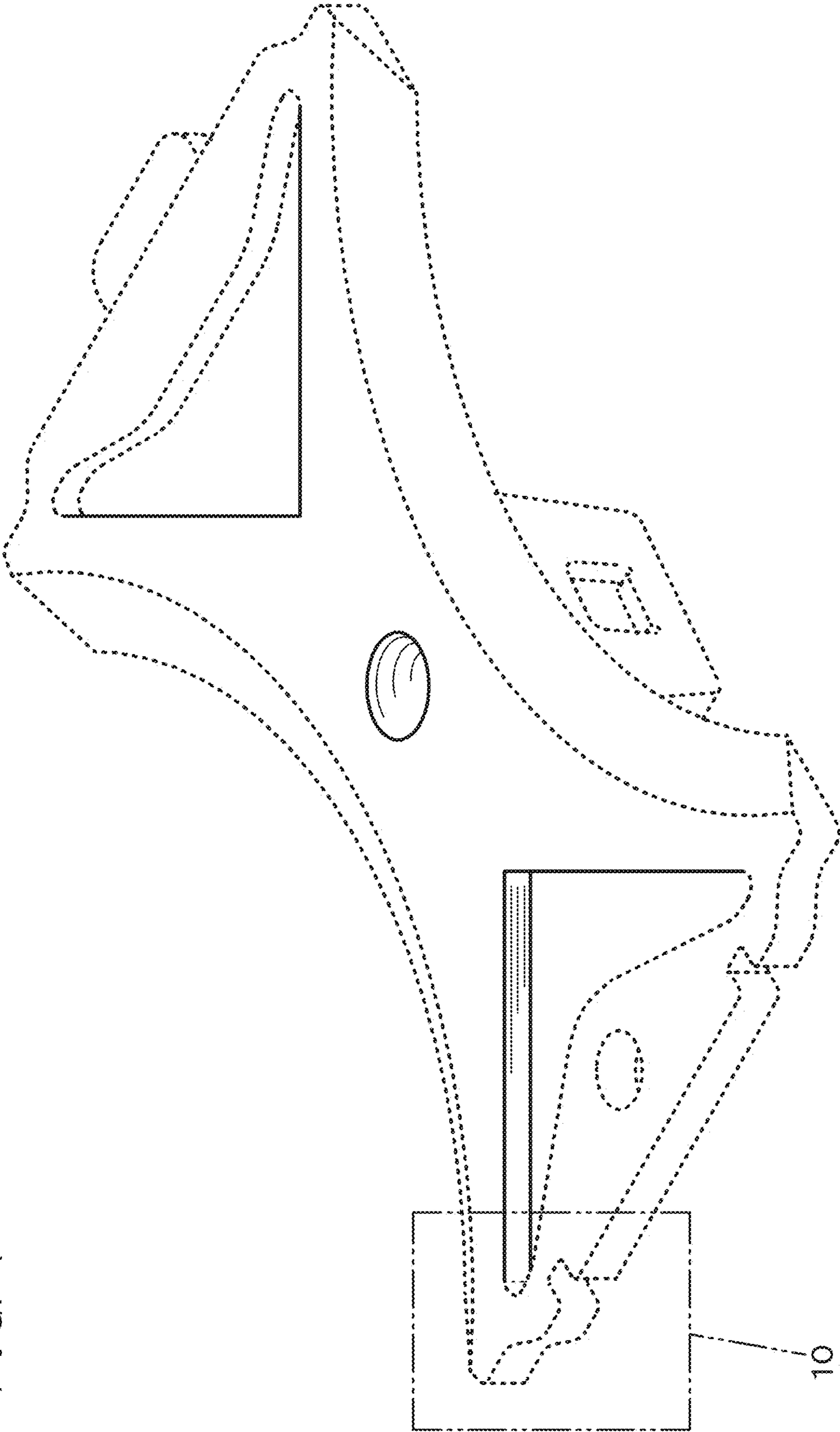


FIG. 1

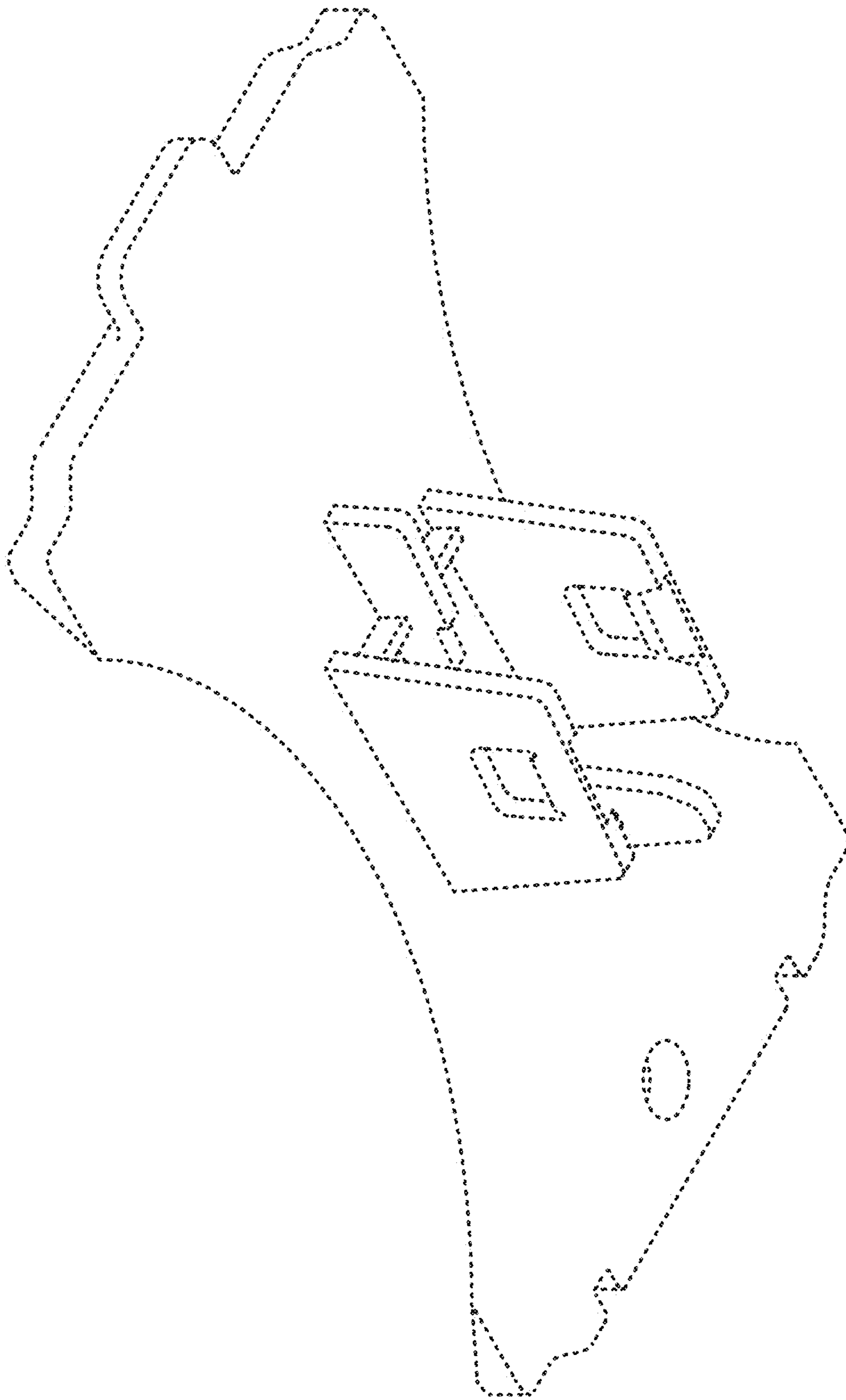


FIG. 2

FIG. 3

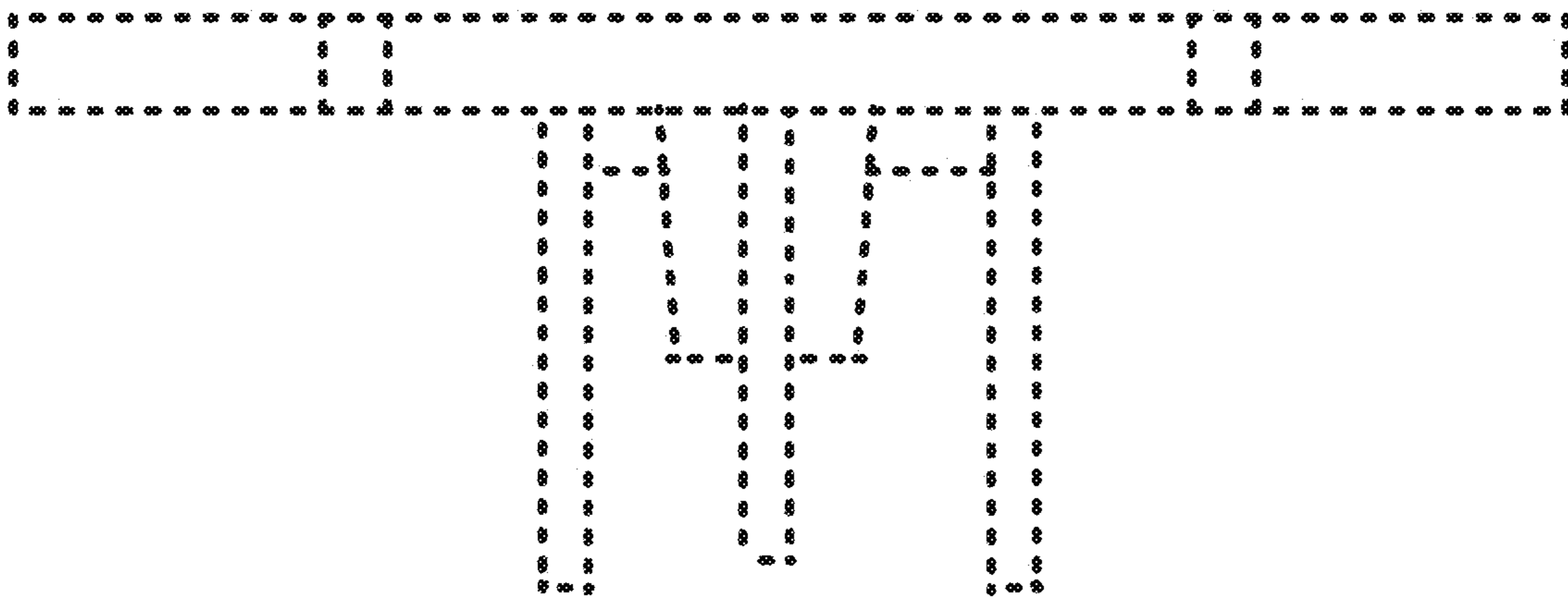


FIG. 4

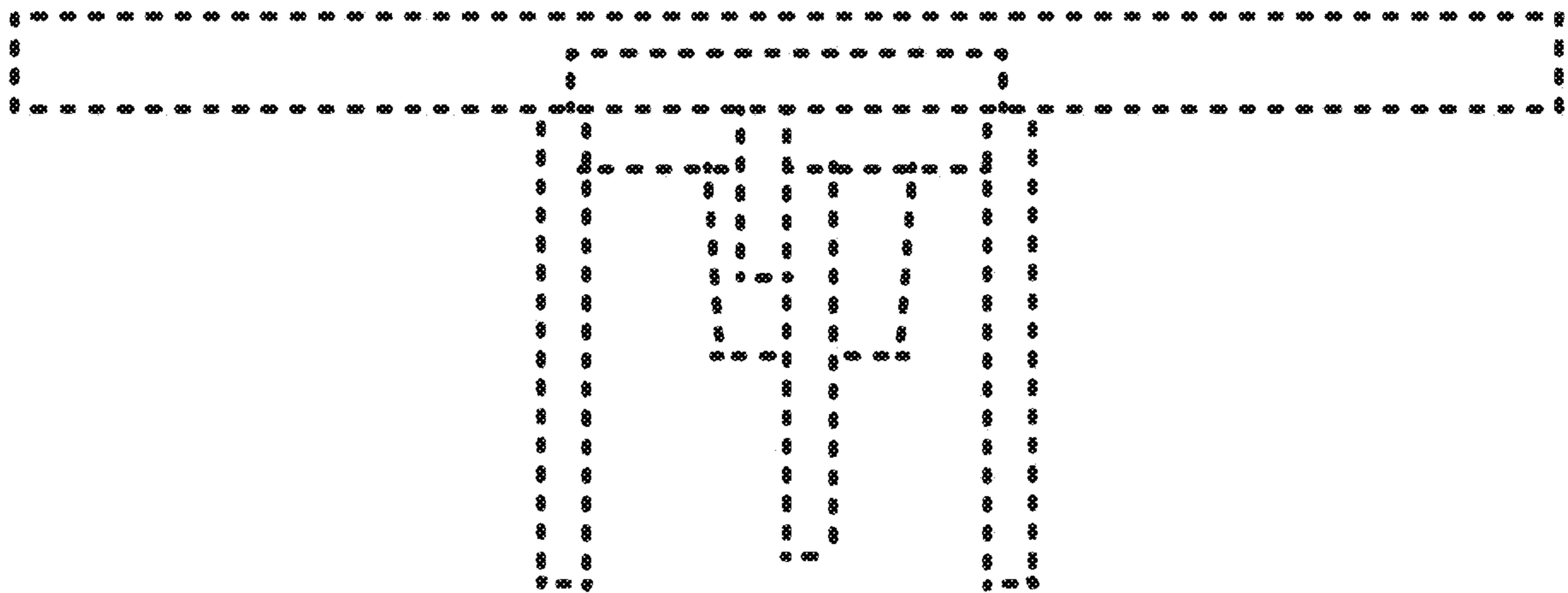


FIG. 5

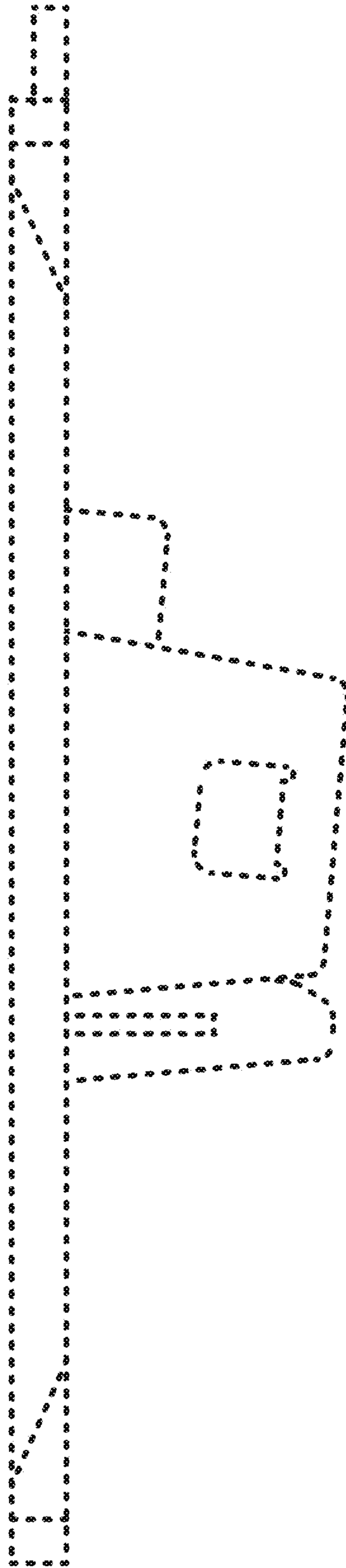


FIG. 6

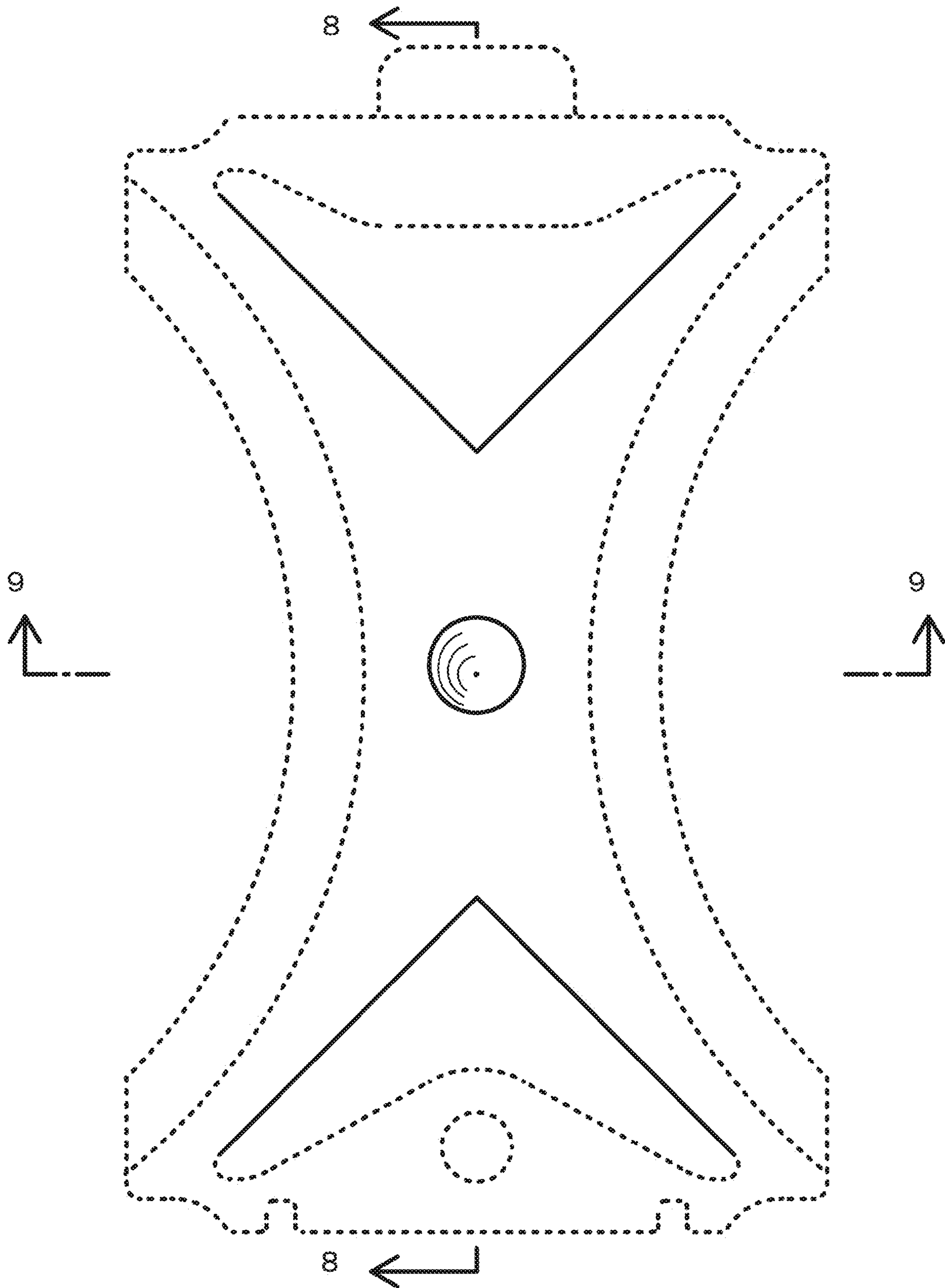


FIG. 7

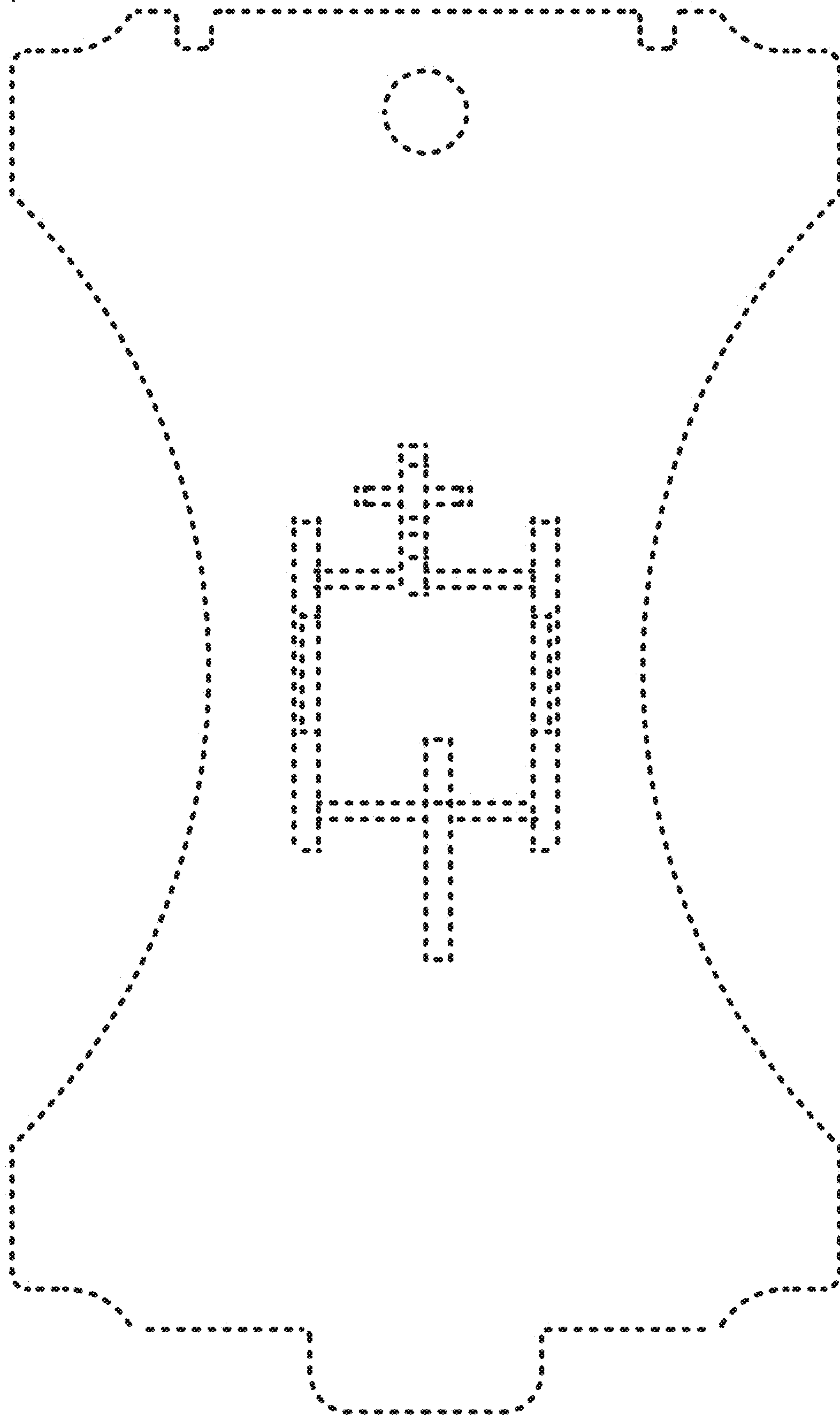


FIG. 8

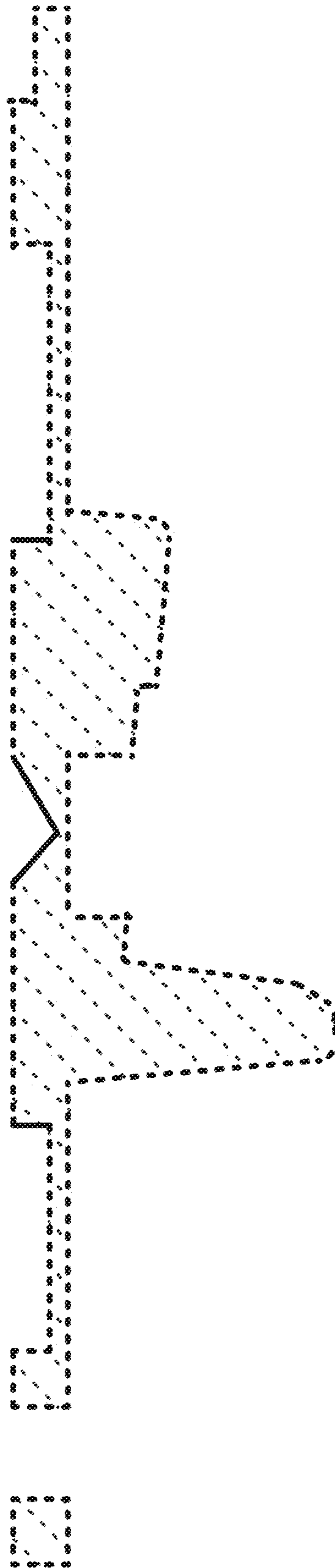


FIG. 9

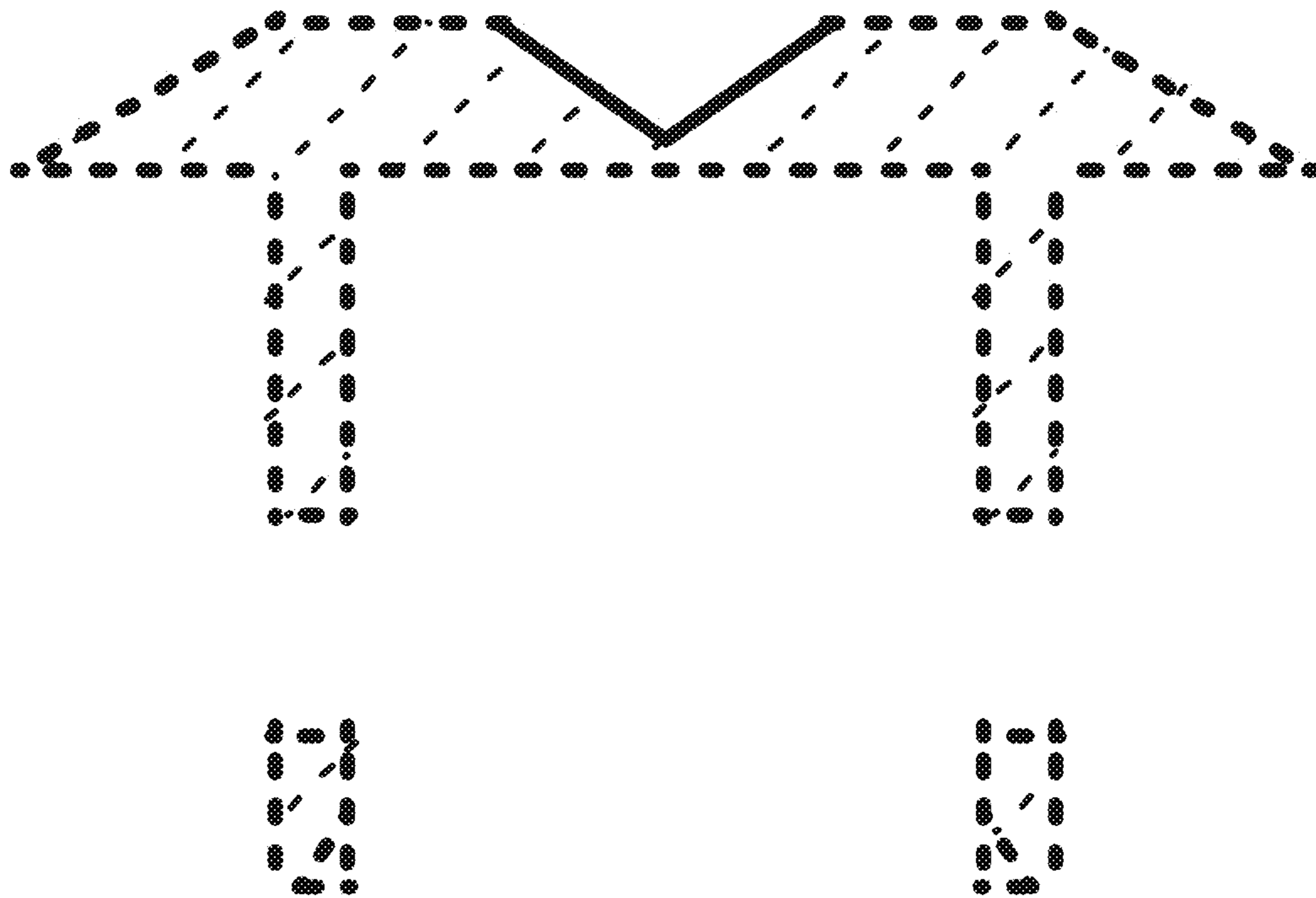


FIG. 10

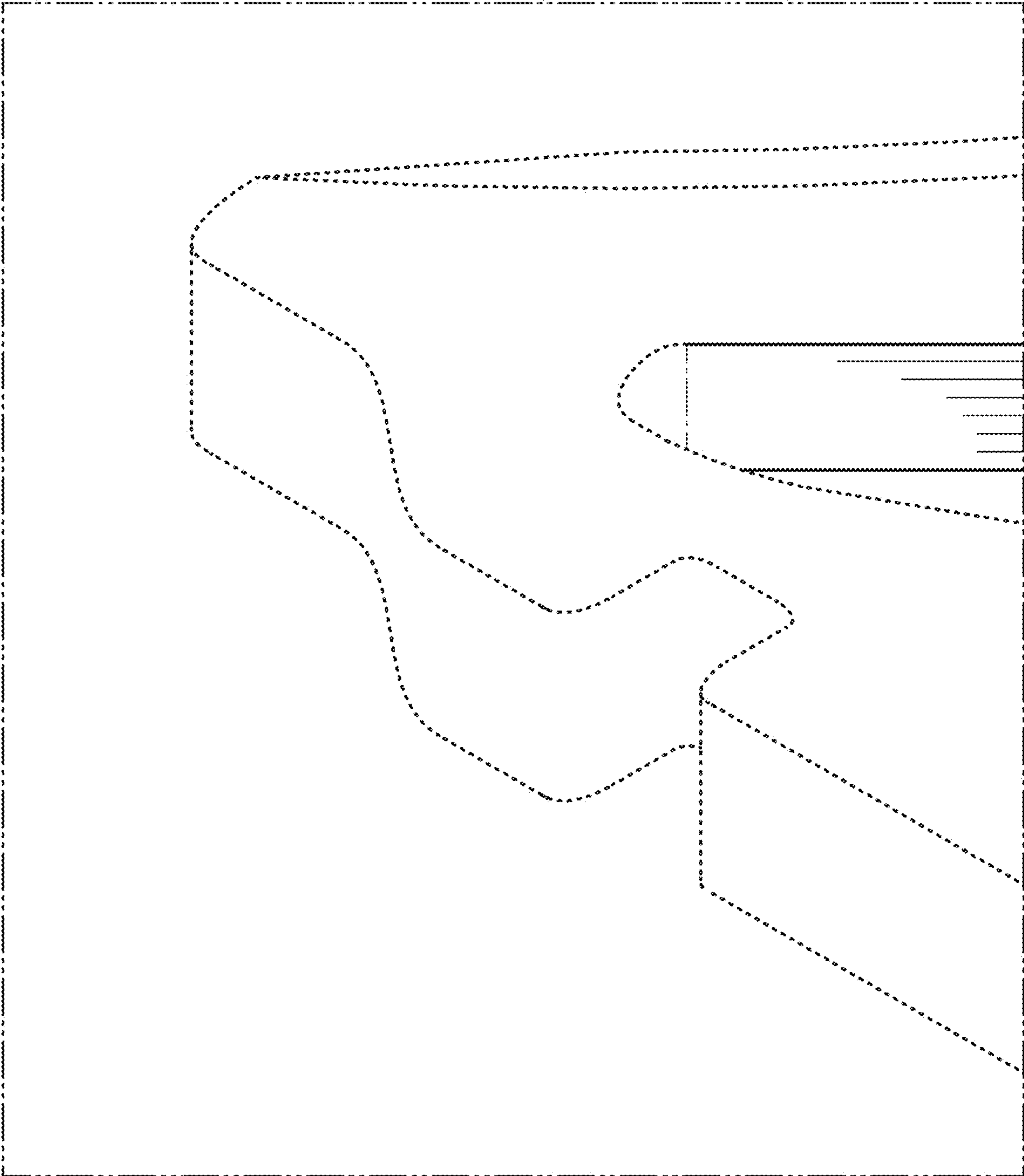


FIG. 11

