



US00D934474S

(12) **United States Design Patent** (10) **Patent No.:** **US D934,474 S**
Kusuki (45) **Date of Patent:** **** Oct. 26, 2021**

(54) **LIGHTING SPEAKER**
(71) Applicant: **Sony Corporation**, Tokyo (JP)
(72) Inventor: **Kazunori Kusuki**, Tokyo (JP)
(73) Assignee: **SONY CORPORATION**, Tokyo (JP)
(**) Term: **14 Years**
(21) Appl. No.: **29/442,066**
(22) Filed: **Nov. 30, 2012**

(30) **Foreign Application Priority Data**
May 31, 2012 (JP) D2012-012962
Nov. 9, 2012 (JP) D2012-027481
Nov. 9, 2012 (JP) D2012-027482
Nov. 9, 2012 (JP) D2012-027483
Nov. 9, 2012 (JP) D2012-027484
Nov. 9, 2012 (JP) D2012-027485
Nov. 9, 2012 (JP) D2012-027486
Nov. 9, 2012 (JP) D2012-027487
Nov. 9, 2012 (JP) D2012-027488
Nov. 9, 2012 (JP) D2012-027489
Nov. 9, 2012 (JP) D2012-027490
Nov. 9, 2012 (JP) D2012-027491
Nov. 9, 2012 (JP) D2012-027492
Nov. 9, 2012 (JP) D2012-027493
Nov. 9, 2012 (JP) D2012-027494
Nov. 9, 2012 (JP) D2012-027495
(51) **LOC (13) Cl.** **26-05**
(52) **U.S. Cl.**
USPC **D26/51; D26/52**
(58) **Field of Classification Search**
USPC D26/52, 2, 49, 51; D14/216; D13/179
CPC F21L 2003/00; F21L 4/00; F21L 4/005;
F21L 4/02; F21L 4/025; F21L 4/027;
F21L 4/04; F21L 4/08; F21L 2005/00;
F21L 7/00;

(Continued)

(56) **References Cited**
U.S. PATENT DOCUMENTS
D546,358 S 7/2007 Deguchi
D553,265 S * 10/2007 Maxik D26/2
(Continued)

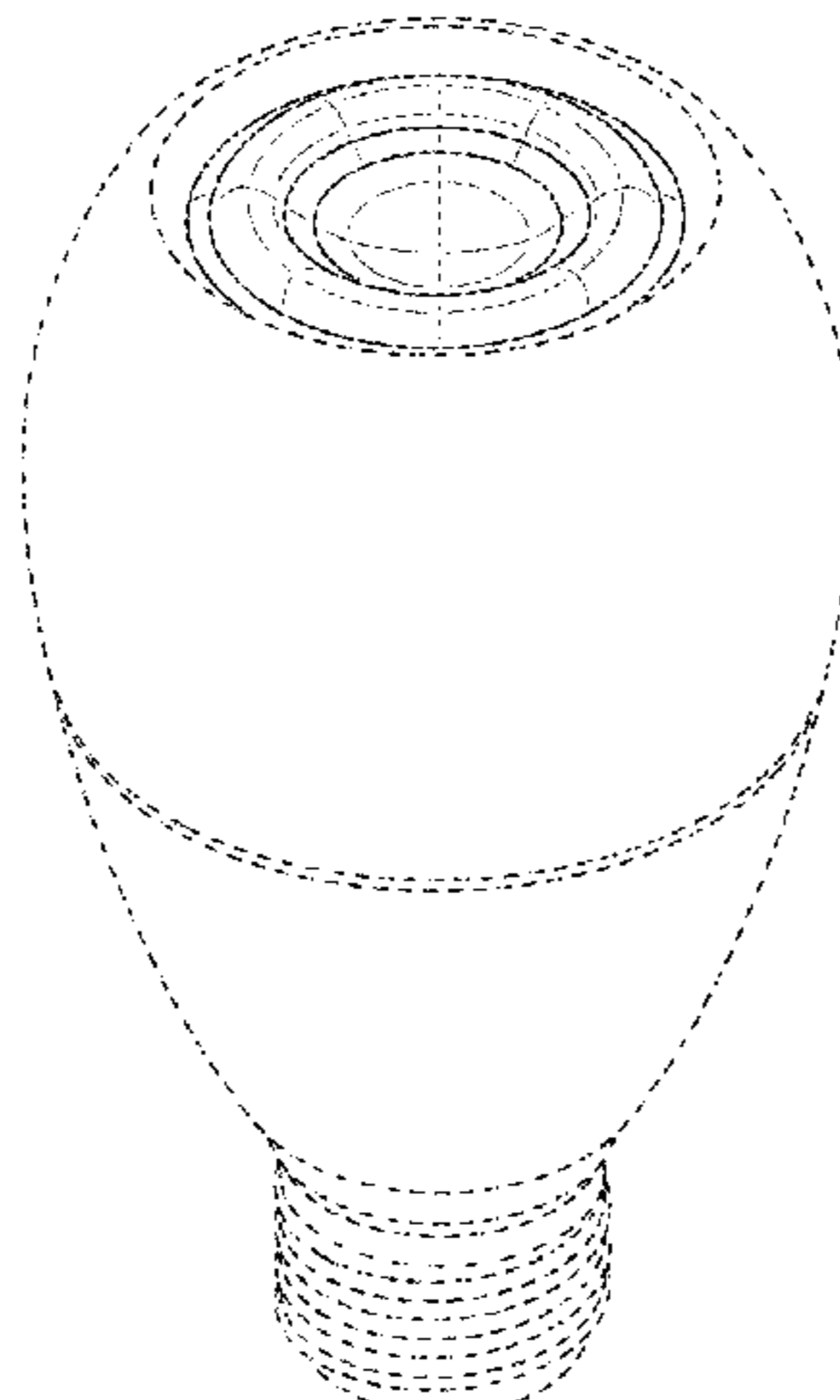
OTHER PUBLICATIONS
Web page, "AudioBulb: Draadloze speaker in lampfitting", <http://www.versheid.com/2012/08/audiobulb-draadloze-speaker-in-lampfitting/>, 3 sheets, Versheid, Aug. 20, 2012.
(Continued)

Primary Examiner — Marissa J Cash
Assistant Examiner — William B Melliar
(74) *Attorney, Agent, or Firm* — Michael Best and Friedrich LLP

(57) **CLAIM**
The ornamental design for a lighting speaker, as shown and described.

DESCRIPTION
FIG. 1 is a perspective view of a first embodiment of a lighting speaker showing my new design; and
FIG. 2 is a top plan view thereof.
FIG. 3 is a perspective view of a second embodiment of a lighting speaker showing my new design; and
FIG. 4 is a top plan view thereof.
FIG. 5 is a perspective view of a third embodiment of a lighting speaker showing my new design; and
FIG. 6 is a top plan view thereof;
FIG. 7 is a perspective view of a fourth embodiment of a lighting speaker showing my new design; and
FIG. 8 is a top plan view thereof;
FIG. 9 is a perspective view of a fifth embodiment of a lighting speaker showing my new design; and
FIG. 10 is a top plan view thereof.

(Continued)



The broken lines illustrating unclaimed portions of the lighting speaker form no part of the claimed design.

1 Claim, 10 Drawing Sheets

(58) Field of Classification Search

CPC F21L 11/00; F21L 13/00; F21L 13/04;
F21L 13/08; F21L 14/02; F21L 17/00;
F21L 19/00; H04R 1/02; H04R 1/021;
H04R 1/025; H04R 1/026; H04R 1/028;
H04R 1/403; H04R 1/2803; H04R
1/2834; H04R 5/02; H04R 9/06; H04R
19/013; H04R 2400/00; G06F 1/1688

See application file for complete search history.

(56) References Cited

U.S. PATENT DOCUMENTS

D553,266 S * 10/2007 Maxik D26/2
D617,024 S * 6/2010 Brown D26/49
D624,677 S * 9/2010 Deguglimo D26/49
D634,870 S * 3/2011 Shen D14/204
D644,350 S 8/2011 Hasse
D644,351 S 8/2011 Hasse
D647,507 S 10/2011 Yuan et al.
D684,281 S * 6/2013 Rioux D26/2
D706,961 S * 6/2014 Nasrullah D26/2
D716,972 S * 11/2014 Yang D26/2
D716,975 S * 11/2014 Hasuo D26/2
D719,684 S * 12/2014 Grajcar D26/2
D720,706 S * 1/2015 Chang D13/179
D725,632 S * 3/2015 Zhao D14/216
D725,800 S * 3/2015 Webb D26/2
D727,544 S * 4/2015 Yang D26/2

D728,131 S * 4/2015 Hockemeyer D26/2
D729,750 S * 5/2015 Chen D13/179
D733,684 S * 7/2015 Wong D14/216
D734,512 S * 7/2015 Yu D26/2
D734,882 S * 7/2015 Yu D26/2
D735,368 S * 7/2015 McGrath D26/2
D741,508 S * 10/2015 Mishin D26/2
D741,519 S * 10/2015 Wang D26/2
D743,058 S * 11/2015 Oonaka D26/2
D744,673 S * 12/2015 Boomgaarden D26/2
D745,195 S * 12/2015 Zolotykh D26/2
D745,587 S * 12/2015 Leung D16/203
D745,982 S * 12/2015 Goscha D26/2
D750,287 S * 2/2016 Cai D26/2
D753,321 S * 4/2016 Wang D26/2
D756,543 S * 5/2016 Bao D26/2
D759,270 S * 6/2016 Cai D26/2
D759,858 S * 6/2016 Li D26/5
D760,405 S * 6/2016 Li D26/2
D764,077 S * 8/2016 Vidal D26/2
D900,061 S * 10/2020 Mihara D14/216
D913,262 S * 3/2021 Allen D14/204

OTHER PUBLICATIONS

Web page, "Evergreen sold MP3 Player with LED light and vibration speaker [DN-SLED-F0732B] by Shanghai Wholesale dealer", http://av.watch.impress.co.jp/docs/news/20120201_508958.html, 3 sheets, Impress Watch Corporation, Feb. 1, 2012.

Web page, "Vibration Speaker with rainbow speaker lamp mounted with an MP3 function deployment by Shanghai Wholesale dealer", www.donya.jp/item/21219.html, 7 sheets, Evergreen Shanghai Donya Co., Feb. 2012.

Web page, "Sound Bulb combined with light and speaker", http://keizine.net/2009/01/22_00489.php, 4 sheets, Keizine, Jan. 22, 2009.

* cited by examiner

FIG.1

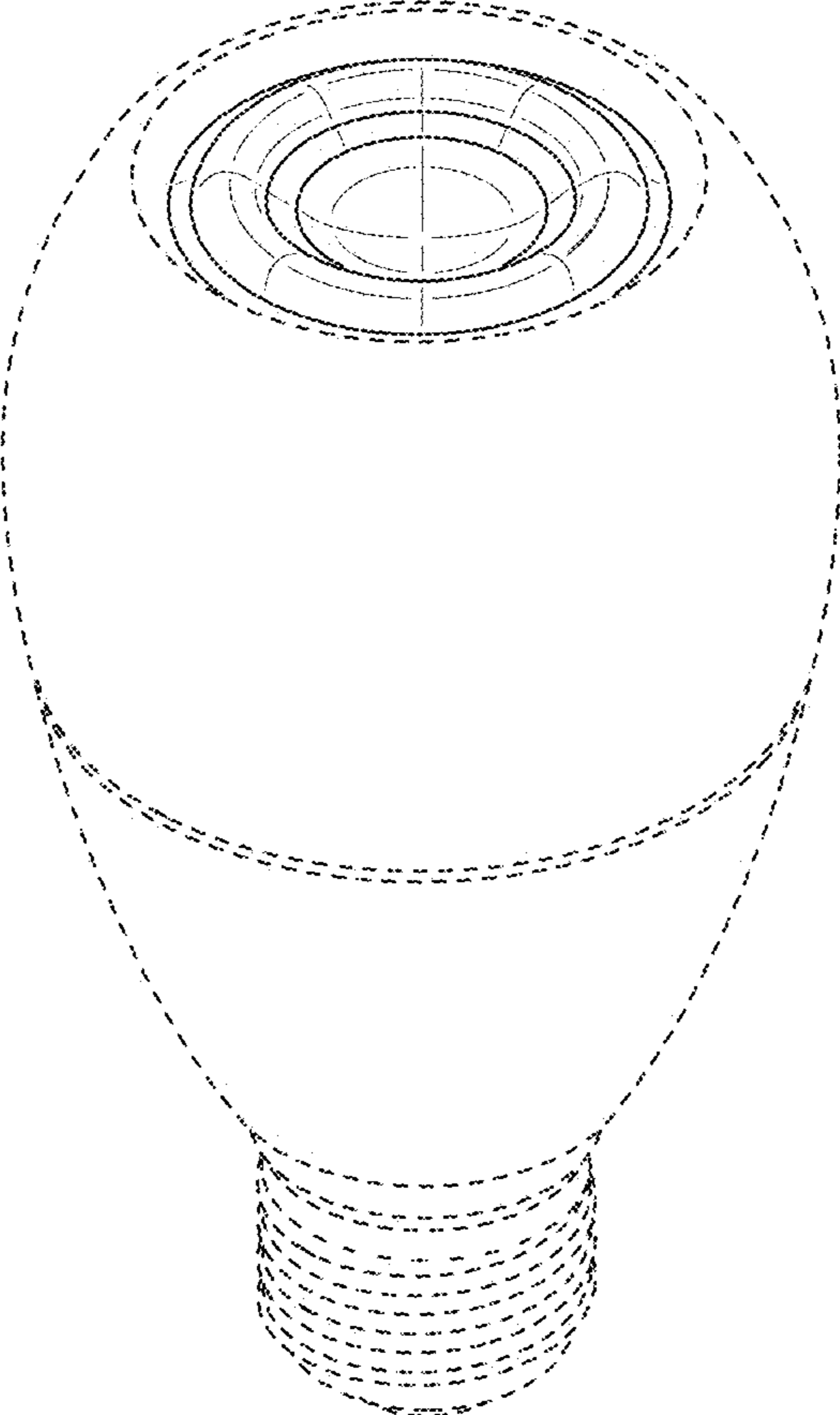


FIG.2

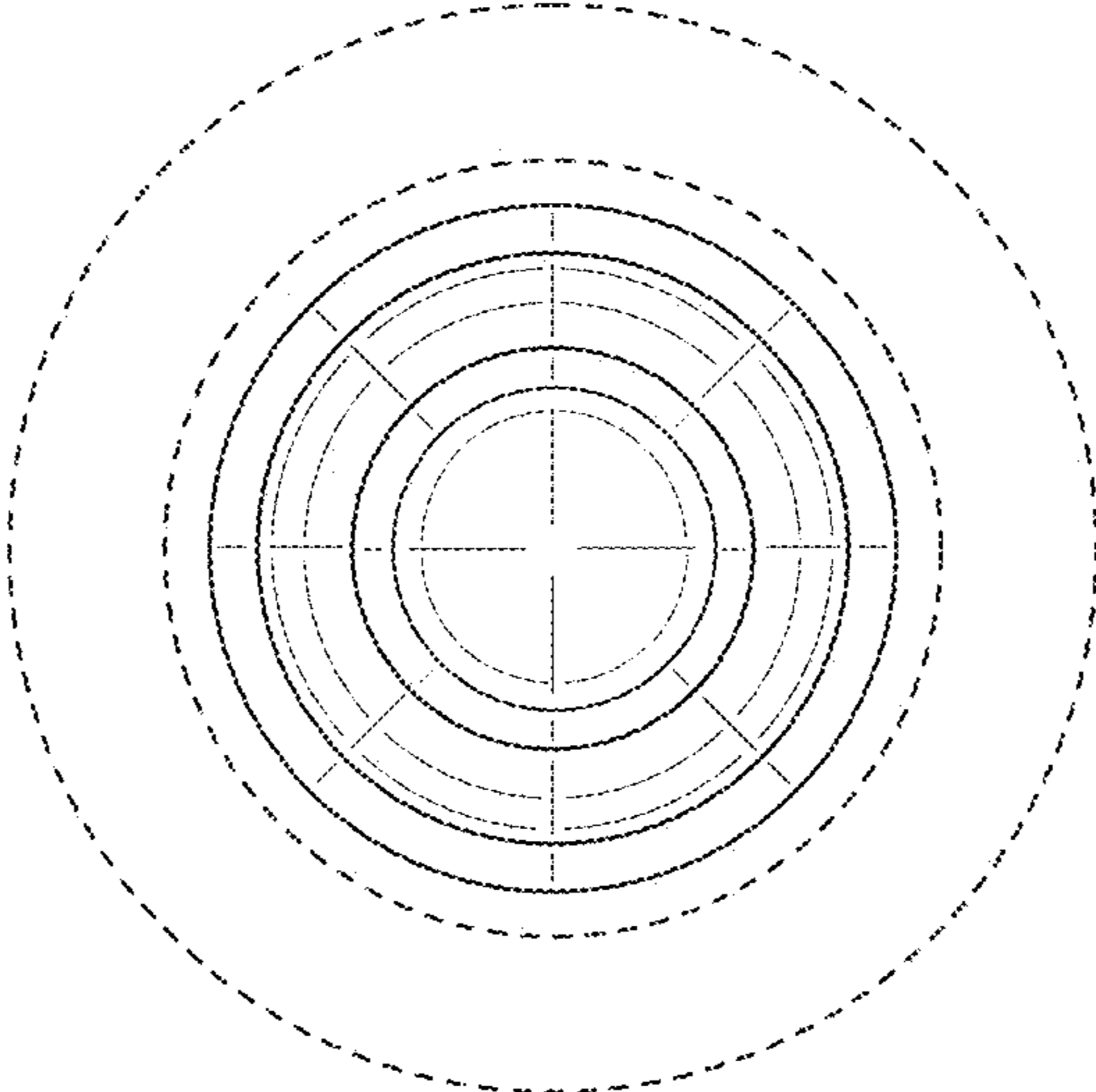


FIG.3

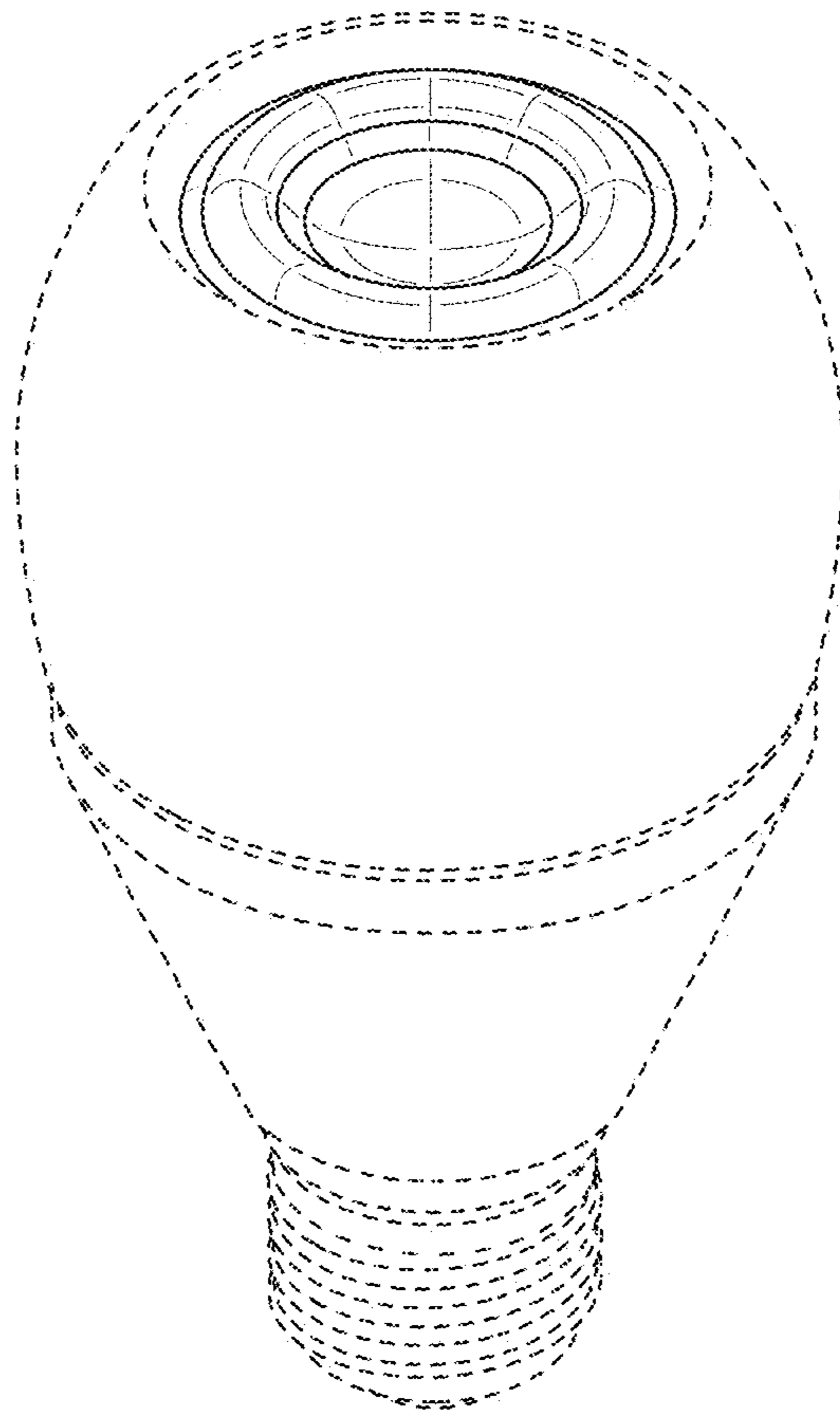


FIG.4

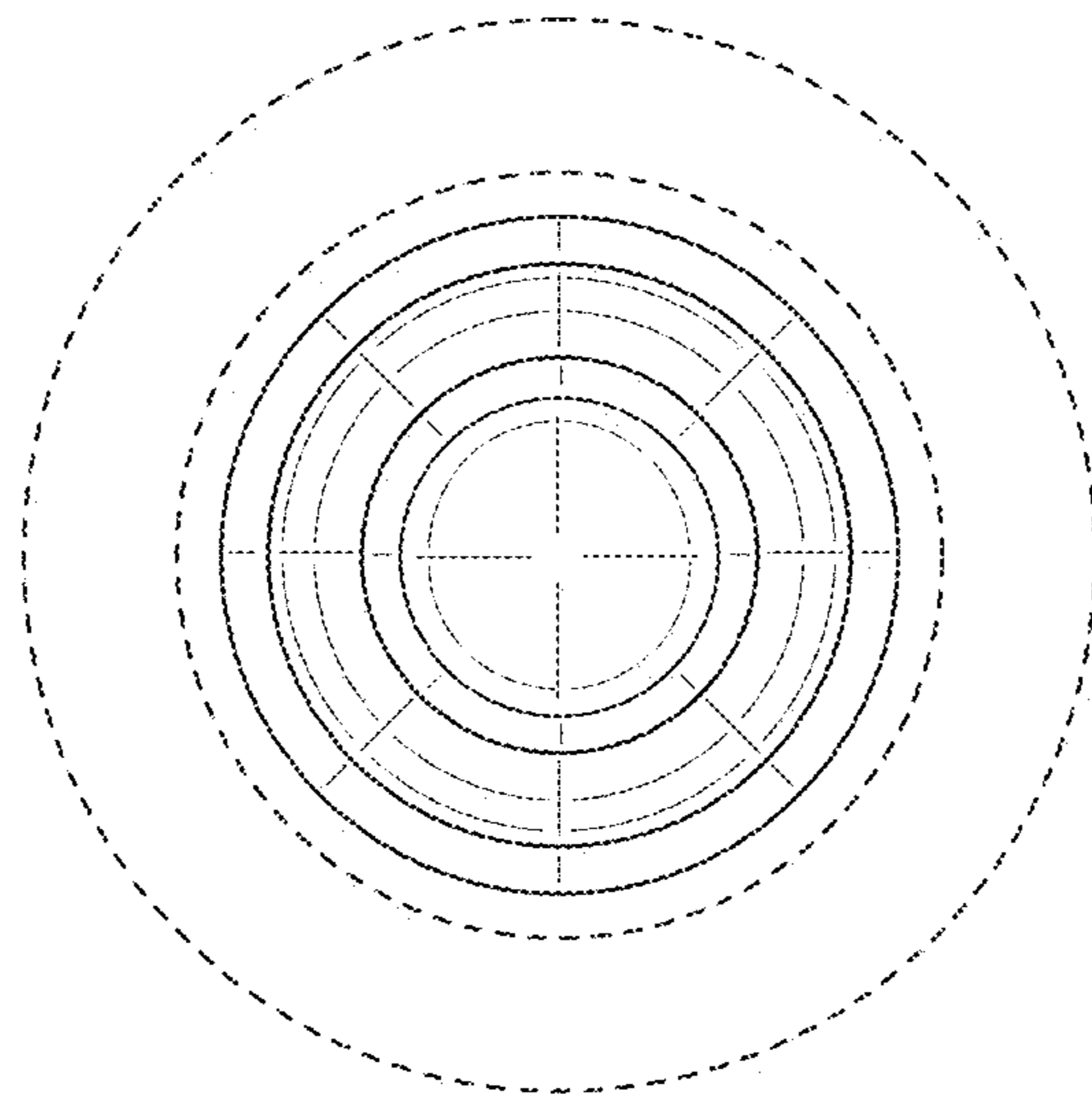


FIG.5

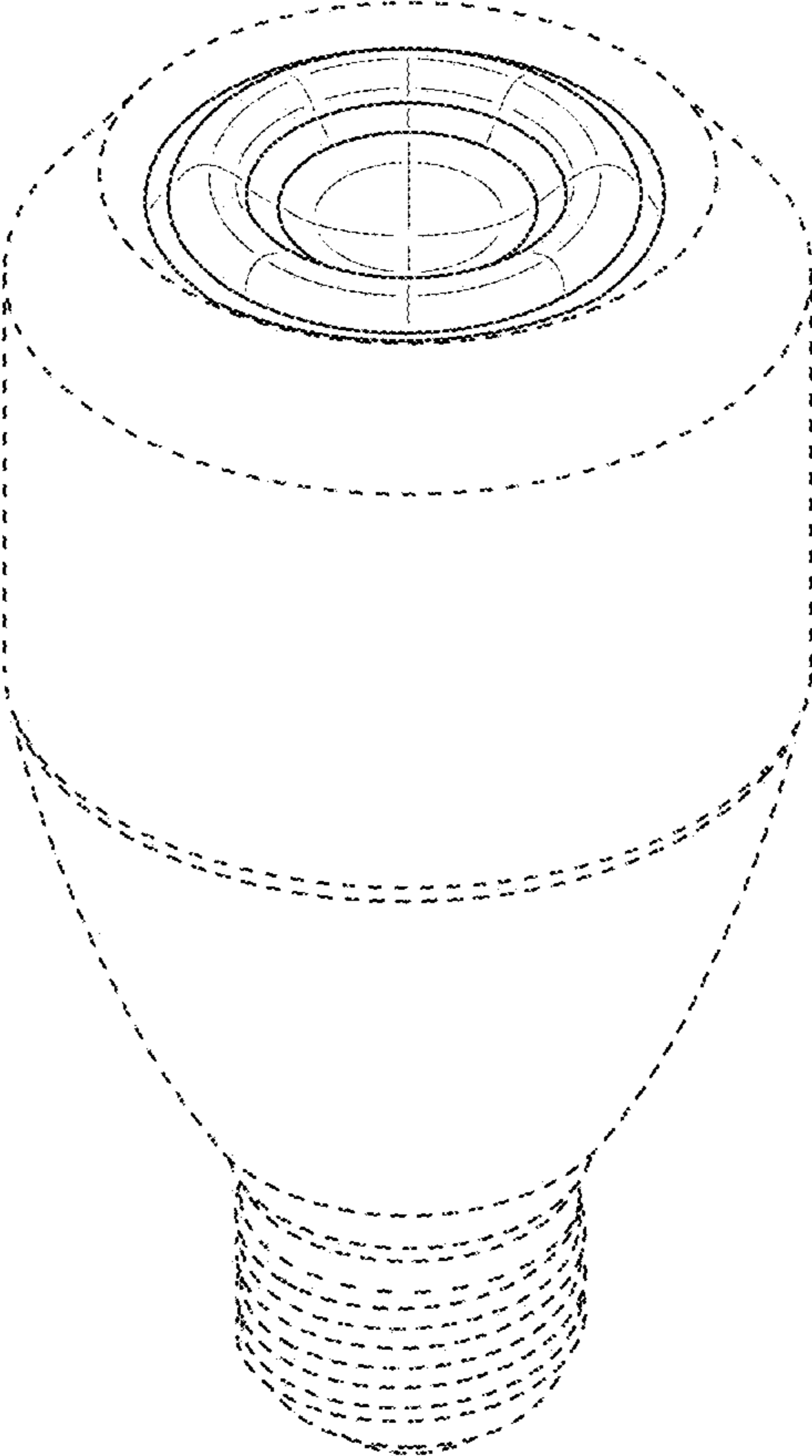


FIG.6

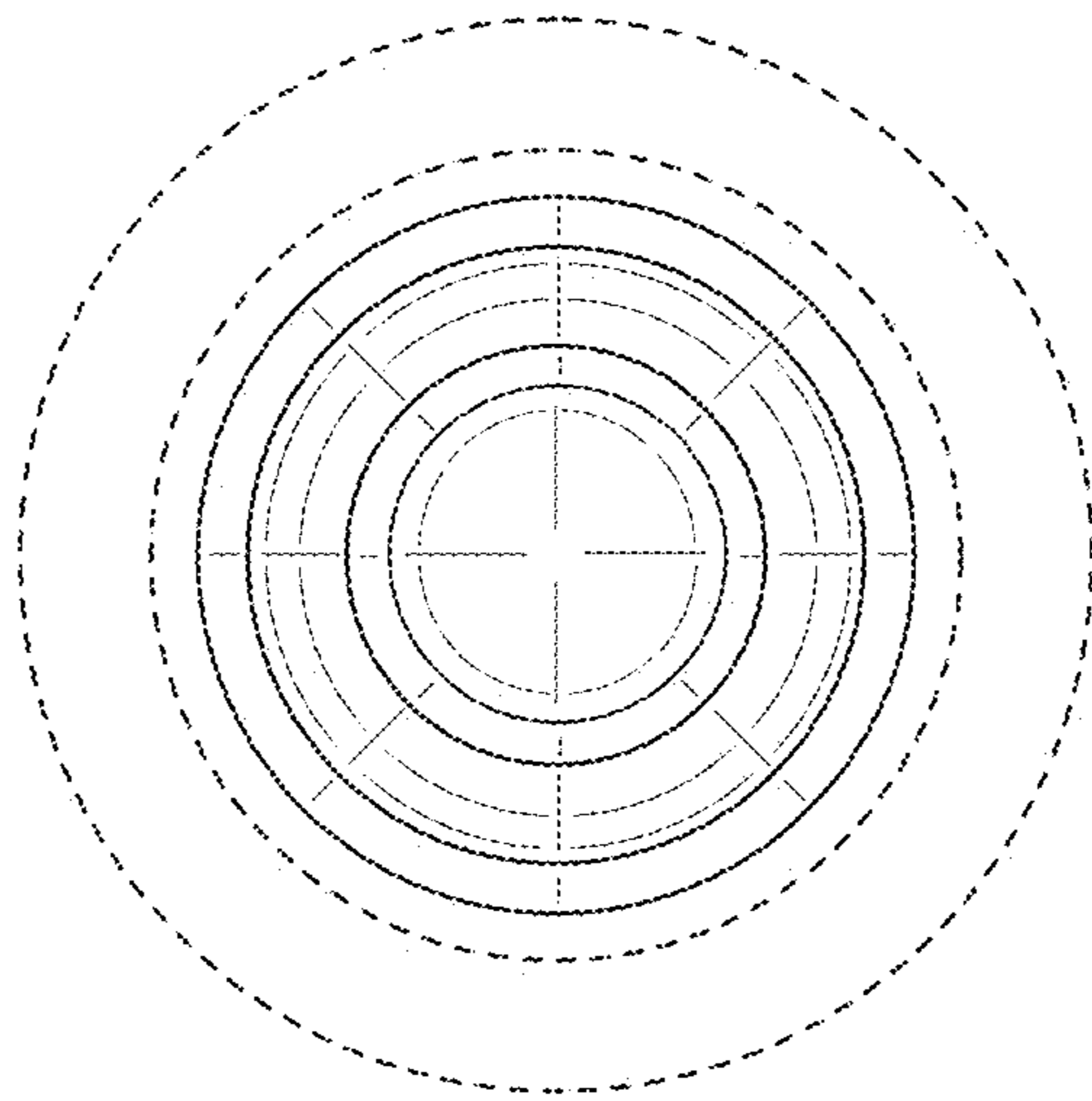


FIG.7

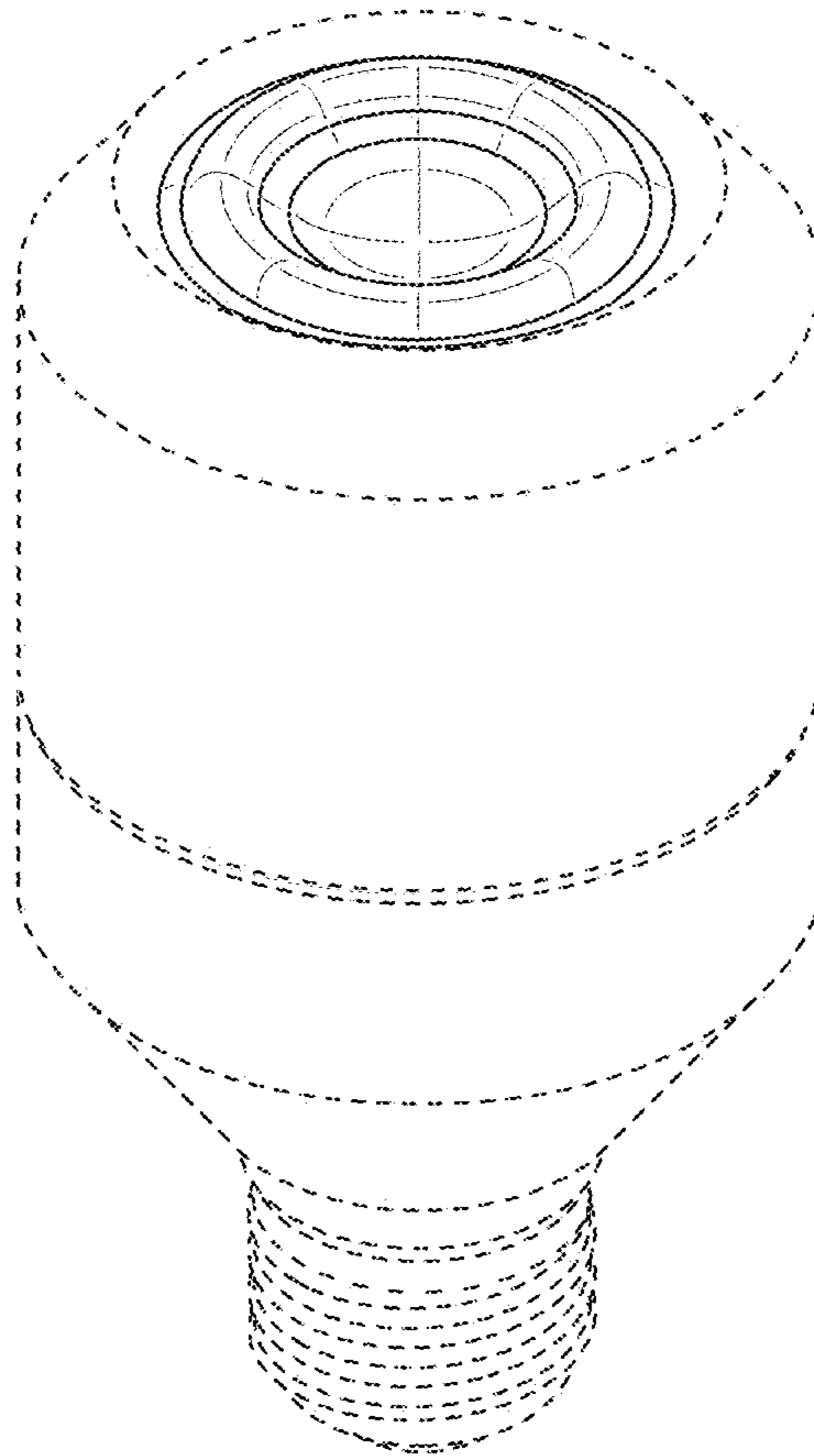


FIG.8

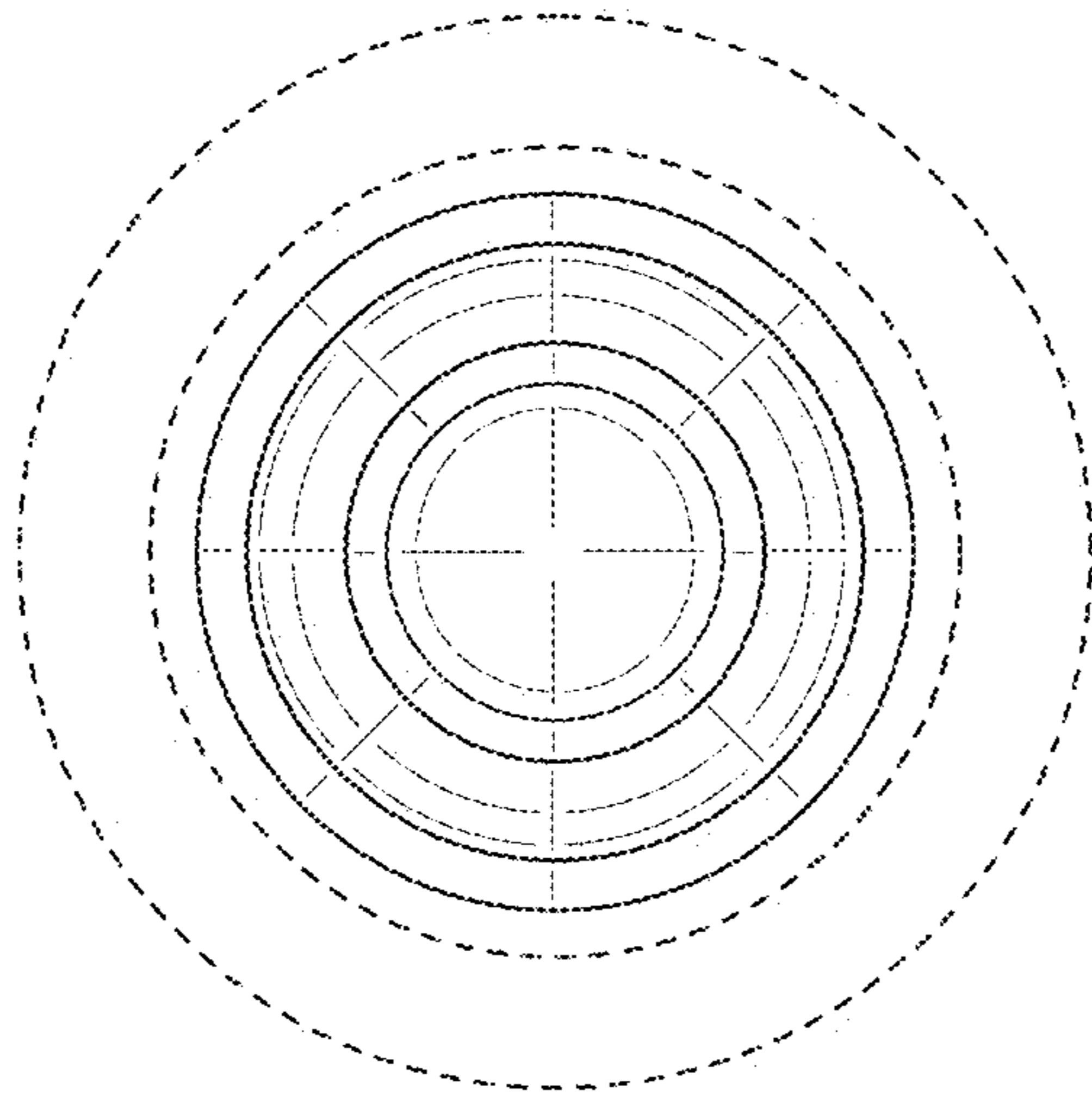


FIG.9

