



US00D934472S

(12) **United States Design Patent** (10) **Patent No.:** **US D934,472 S**
Mao (45) **Date of Patent:** **** Oct. 26, 2021**

(54) **CORDLESS WORK LIGHT**
(71) Applicant: **Ningbo Sunree Outdoor Products Co., Ltd., Cixi (CN)**

D896,417 S * 9/2020 Huang D26/37
D903,175 S * 11/2020 Lei D26/63
D910,894 S * 2/2021 Dongdong D26/50
D911,564 S * 2/2021 Wang D26/37
(Continued)

(72) Inventor: **Huanjun Mao, Cixi (CN)**

FOREIGN PATENT DOCUMENTS

(**) Term: **15 Years**

CN 304959426 * 12/2018
CN 304976339 * 1/2019

(21) Appl. No.: **29/703,186**

(Continued)

(22) Filed: **Aug. 26, 2019**

OTHER PUBLICATIONS

(51) **LOC (13) Cl.** **26-02**

(52) **U.S. Cl.**

USPC **D26/37**

(58) **Field of Classification Search**

USPC D26/37-44, 46-52
CPC F21V 15/01; F21V 15/04; F21V 21/06;
F21V 21/32; F21V 21/145; F21V 21/30;
F21V 21/40; F21L 4/04; F21W
2131/1005; F21W 2131/402

“Craftsman LED Portable Work Light,” Oct. 10, 2018, amazon.com, site visited Aug. 12, 2021, URL: <https://www.amazon.com/Craftsman-Portable-Lumens-Tesadorz-Microfiber/dp/B07KQTS8FQ> (Year: 2018).*

(Continued)

See application file for complete search history.

Primary Examiner — Eric L Goodman
Assistant Examiner — Sarah L Smith

(56) **References Cited**

(57) **CLAIM**

The ornamental design for a cordless work light, as shown and described.

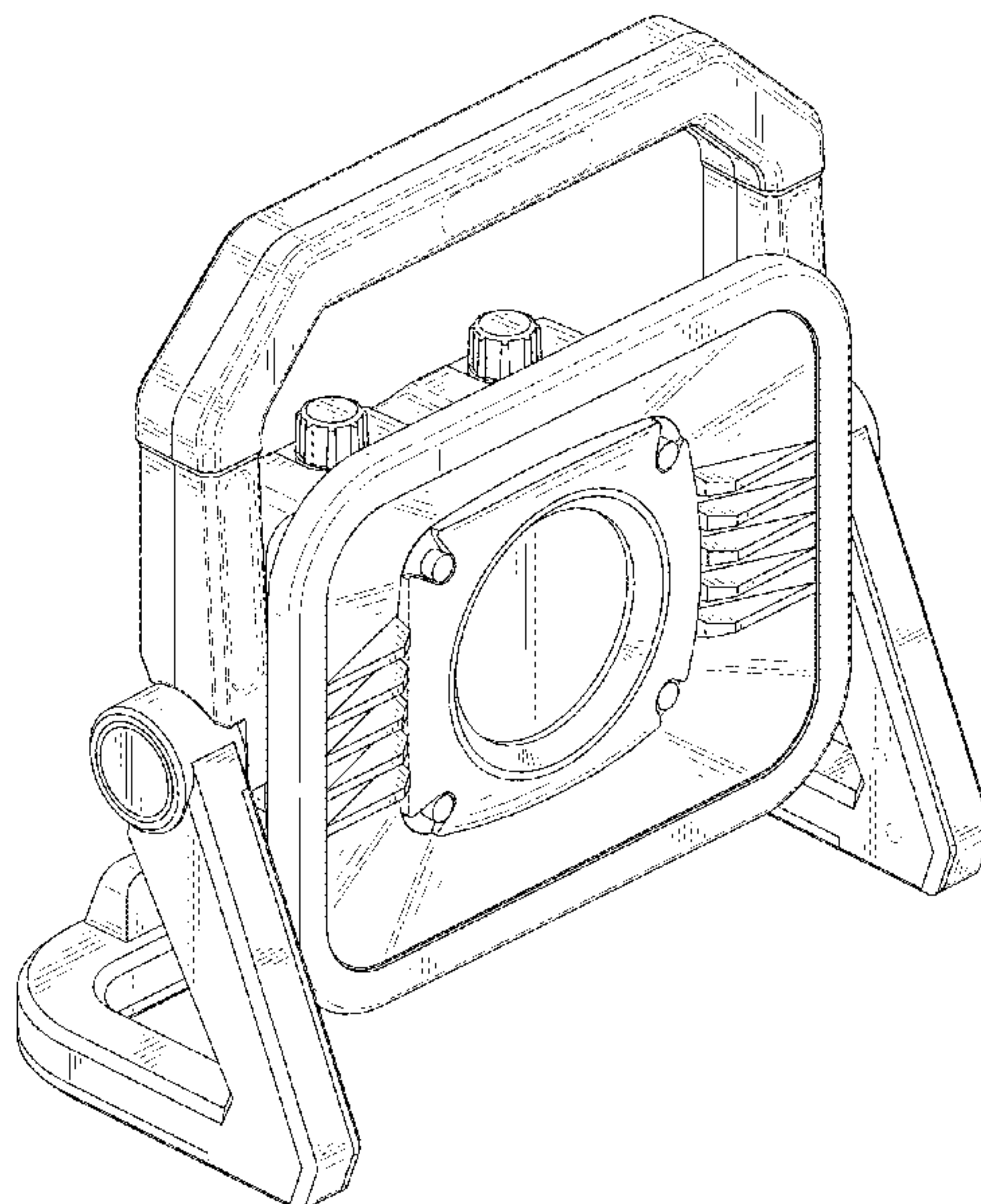
U.S. PATENT DOCUMENTS

DESCRIPTION

D486,261 S * 2/2004 Tsai D26/63
D549,859 S * 8/2007 Kovacik D26/37
D736,442 S * 8/2015 Kovacik D26/37
D744,139 S * 11/2015 Itoh D26/63
D797,340 S * 9/2017 Cai D26/65
D834,232 S * 11/2018 Green D26/65
D840,073 S * 2/2019 Bian D26/37
D841,848 S * 2/2019 Poffler D26/37
D844,207 S * 3/2019 Zhang D26/63
D854,718 S * 7/2019 Yuan D26/63
D856,565 S * 8/2019 Fang D26/63
D861,946 S * 10/2019 Green D26/65
10,436,435 B2 * 10/2019 Wu F21V 21/06
D866,027 S * 11/2019 Cacciabeve D26/37
D875,284 S * 2/2020 Cacciabeve D26/37
D877,948 S * 3/2020 Thompson F21V 15/04
D26/37

FIG. 1 is a first perspective view of a cordless work light showing my design;
FIG. 2 is a second perspective view thereof;
FIG. 3 is a front view thereof;
FIG. 4 is a back view thereof;
FIG. 5 is a left side view thereof;
FIG. 6 is a right side view thereof;
FIG. 7 is a top view thereof; and,
FIG. 8 is a bottom view thereof.
The broken lines, shown in the drawings depict portions of the cordless work light in which the design is embodied that form no part of the claimed design.

1 Claim, 8 Drawing Sheets



(56)

References Cited

U.S. PATENT DOCUMENTS

D927,752 S * 8/2021 Mao D26/65
2017/0108197 A1* 4/2017 Cacciabeve F21V 15/04
2018/0202631 A1* 7/2018 Cacciabeve F21V 15/01
2018/0224101 A1* 8/2018 Qiu F21V 21/06

FOREIGN PATENT DOCUMENTS

CN 210462800 U * 5/2020
CN 210567872 U * 5/2020 F21S 8/00
CN 210567875 U * 5/2020 F21S 8/00
CN 211118825 U * 7/2020 F21L 4/00
EM 006592812-0002 * 7/2019
WO WO 2019017249 A1 * 1/2019 F21S 2/00

OTHER PUBLICATIONS

“Slimline Portable LED Outdoor Worklight,” Aug. 11, 2018 (review),
superiorlighting.com, site visited Aug. 12, 2021, URL: <https://www.superiorlighting.com/slimline-portable-led-outdoor-worklight/> (Year:
2018).*

* cited by examiner

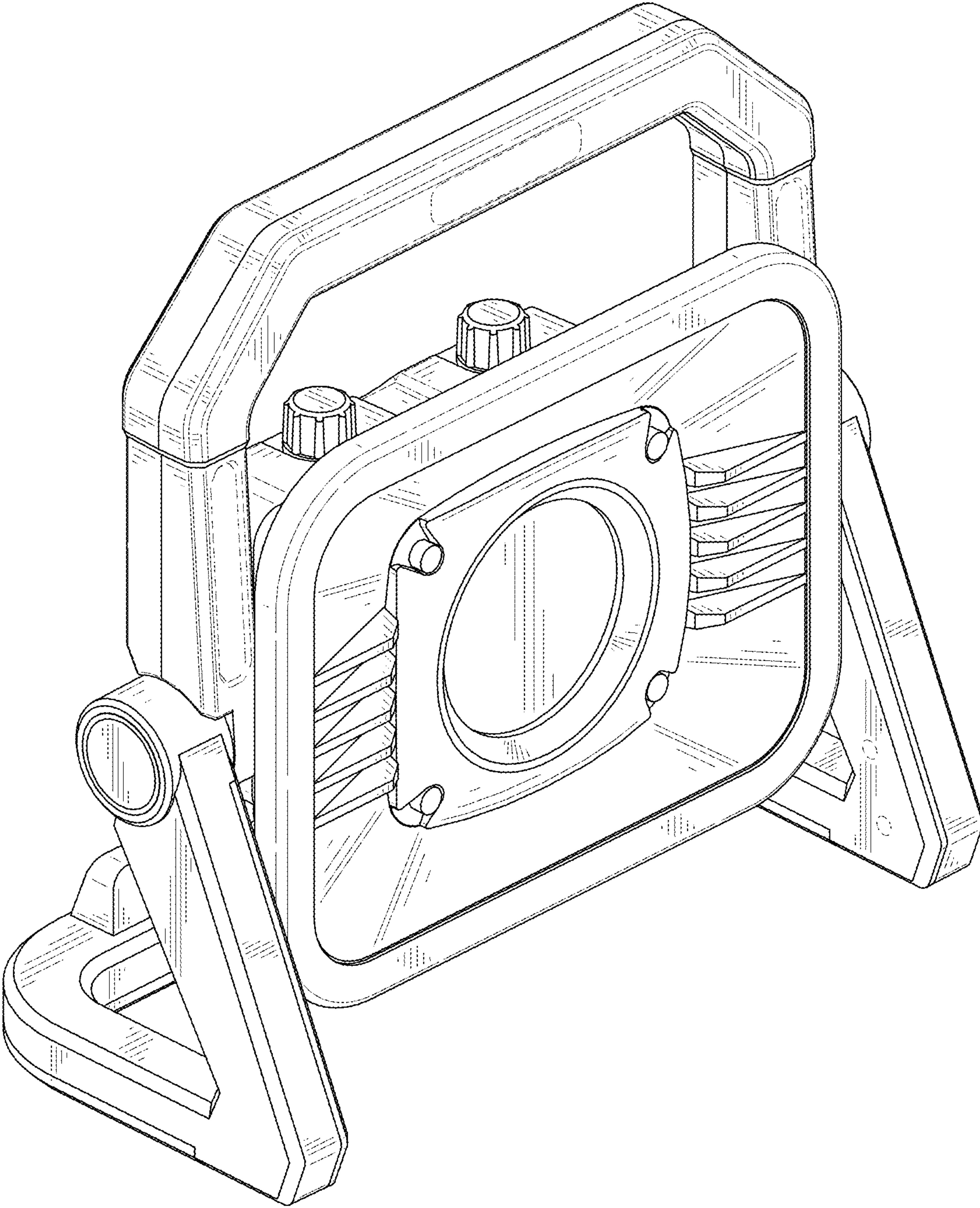


FIG. 1

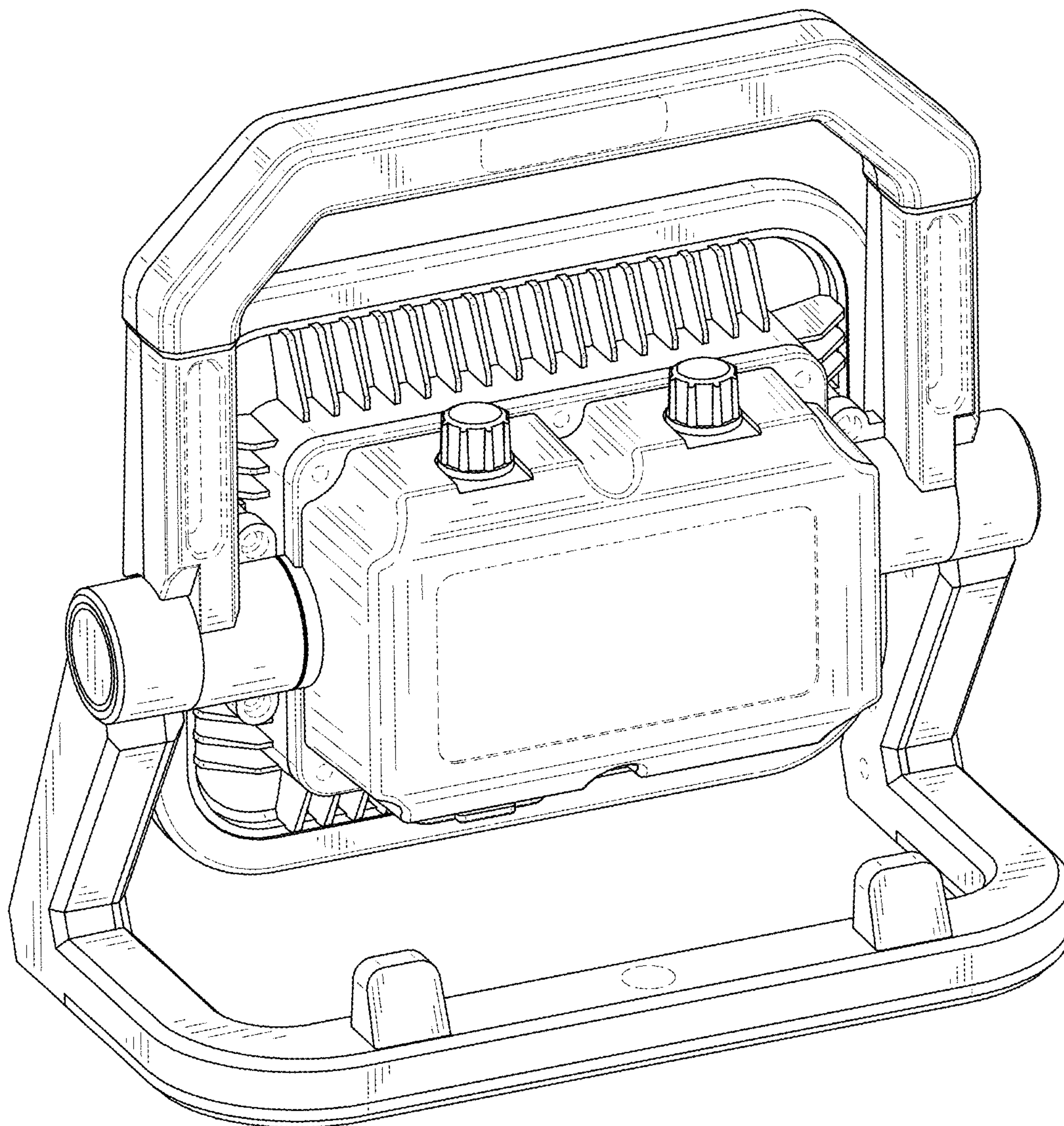


FIG. 2

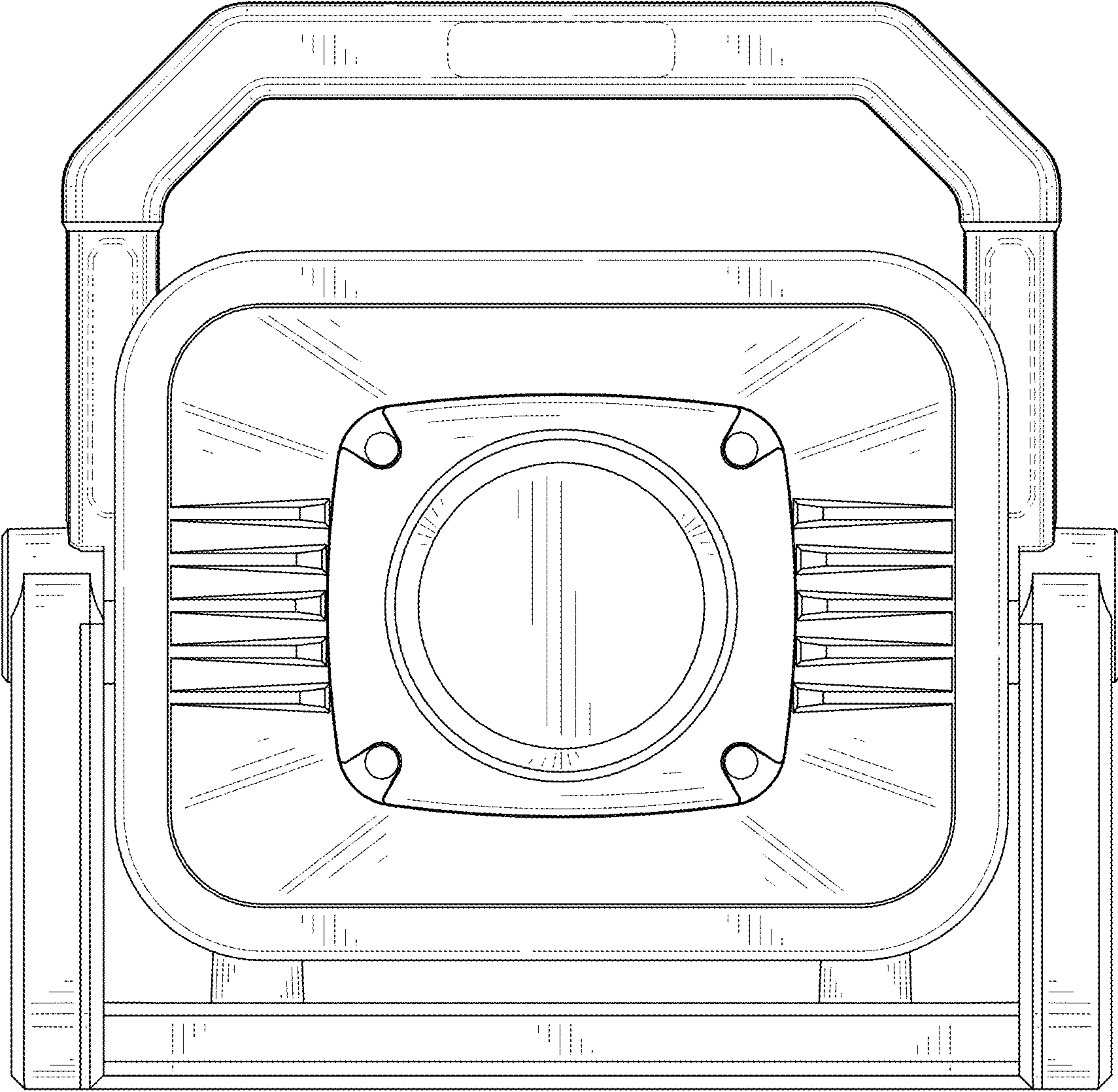


FIG. 3

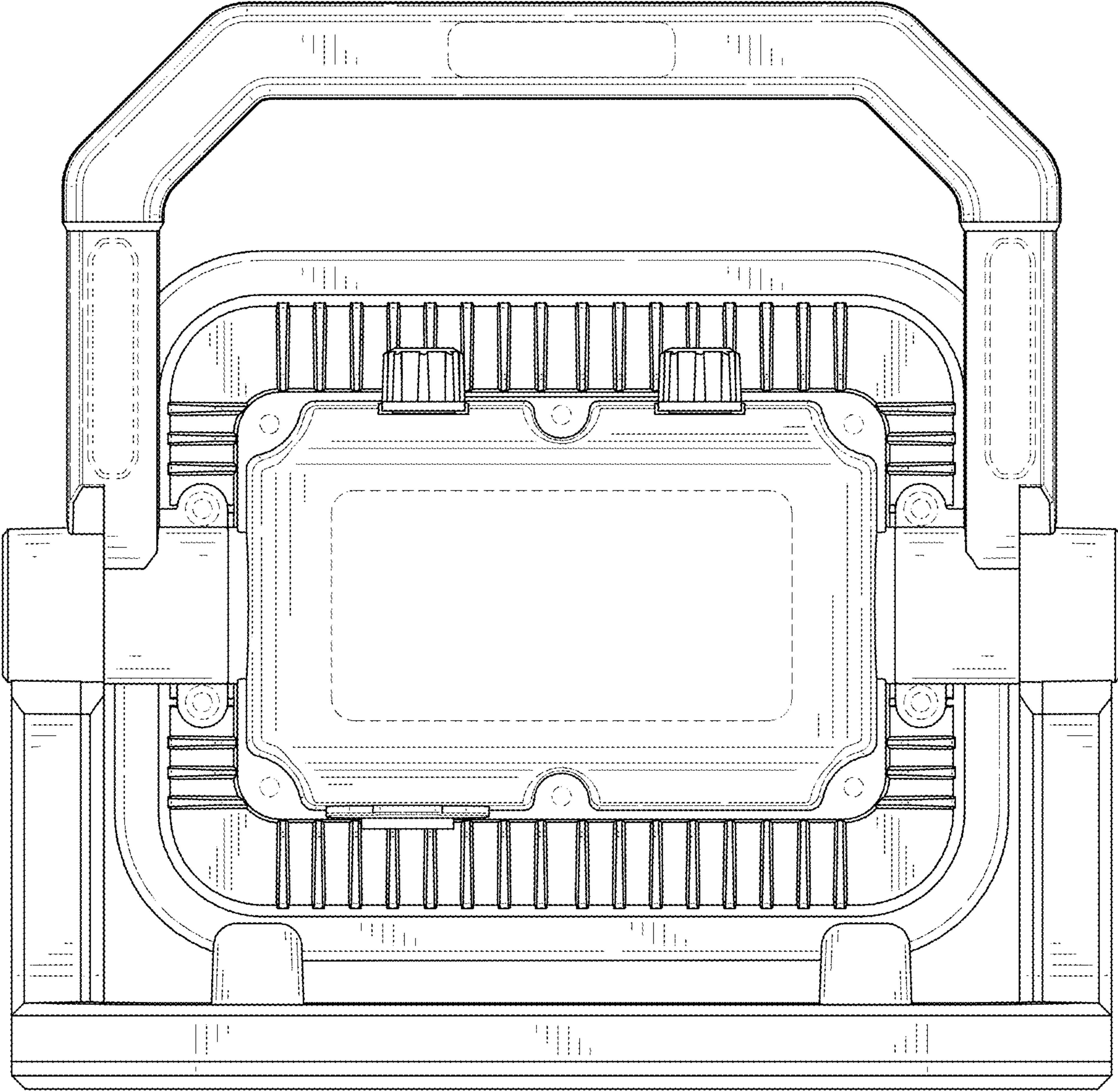


FIG. 4

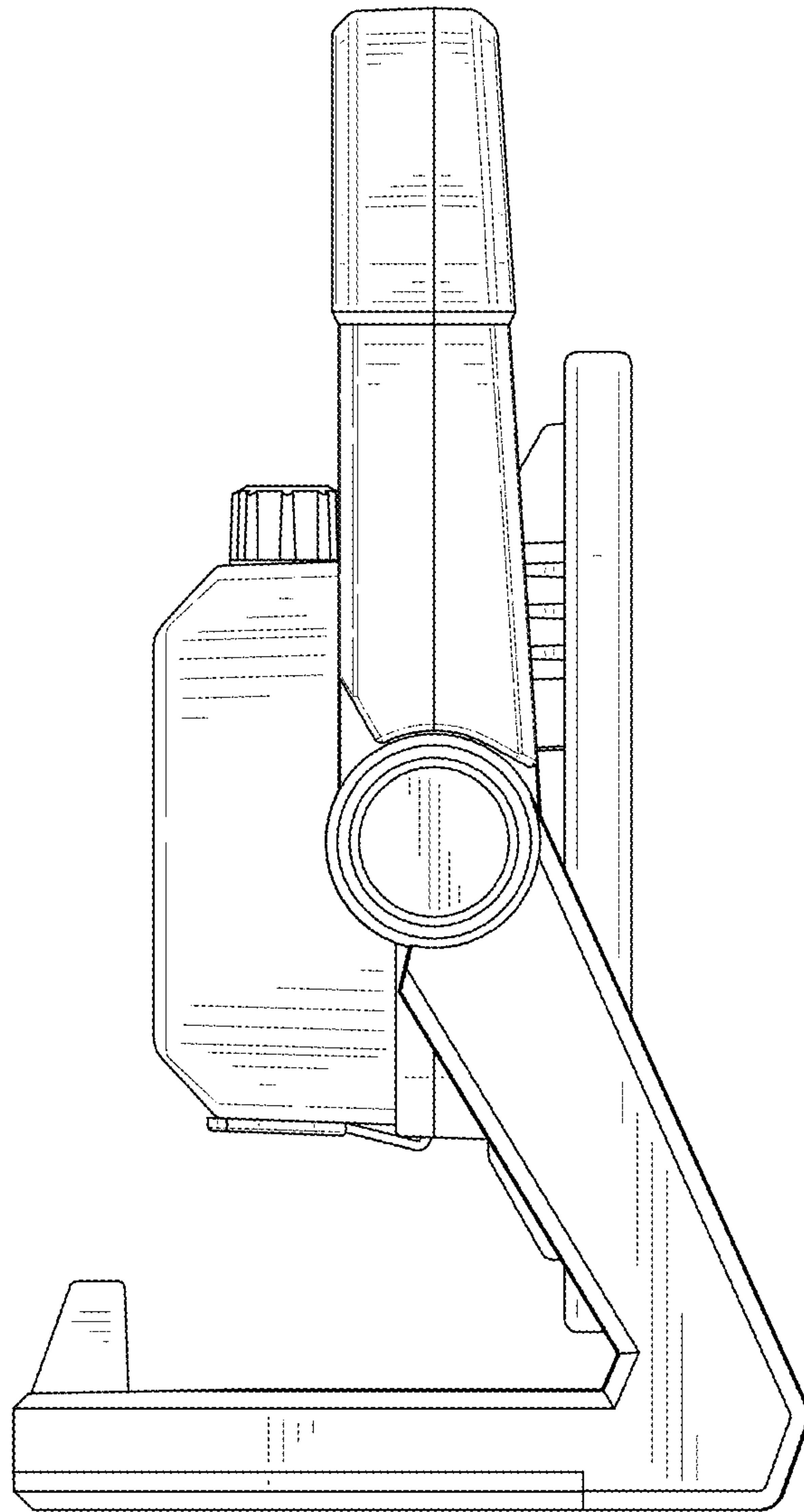


FIG. 5

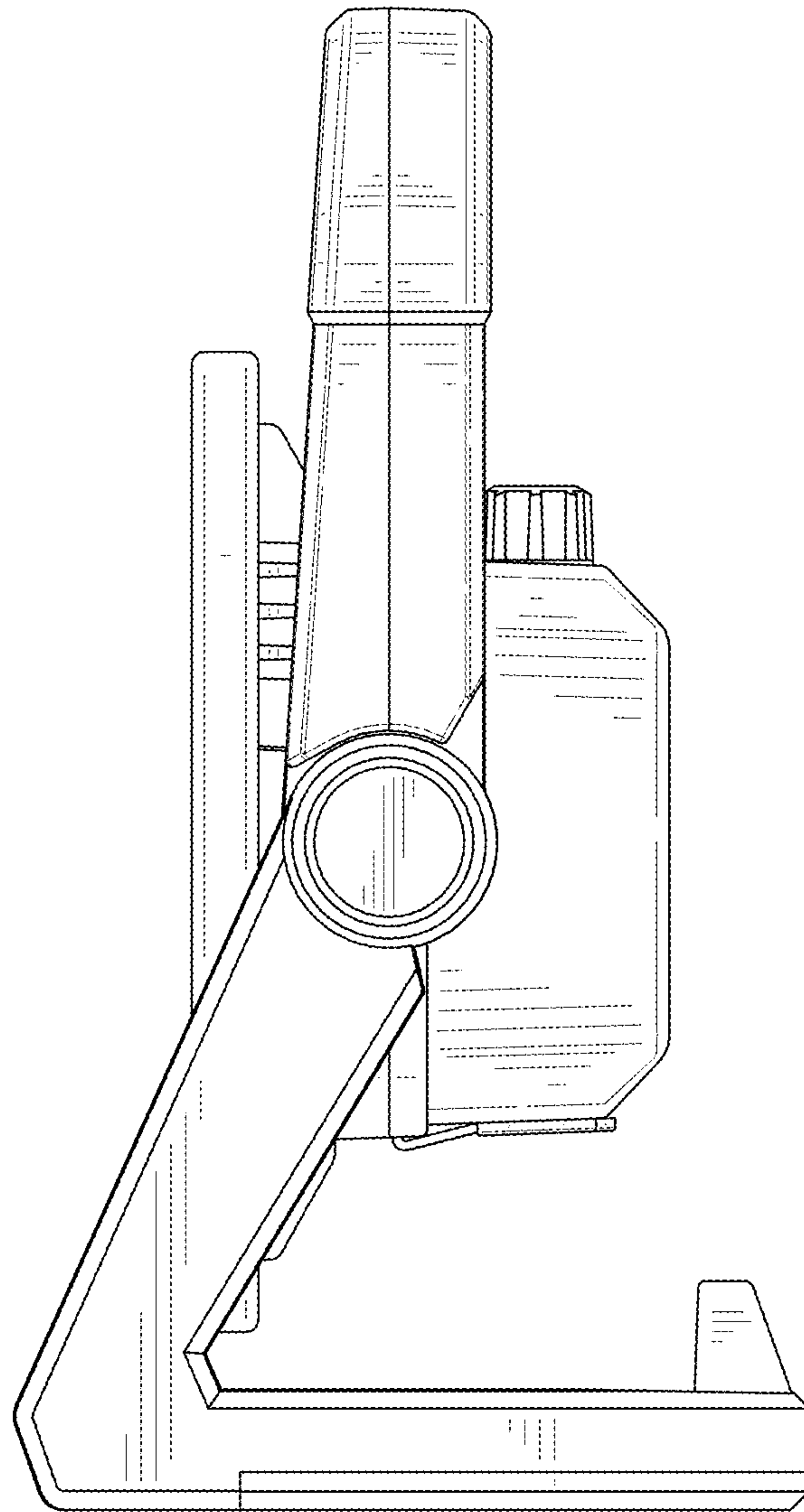


FIG. 6

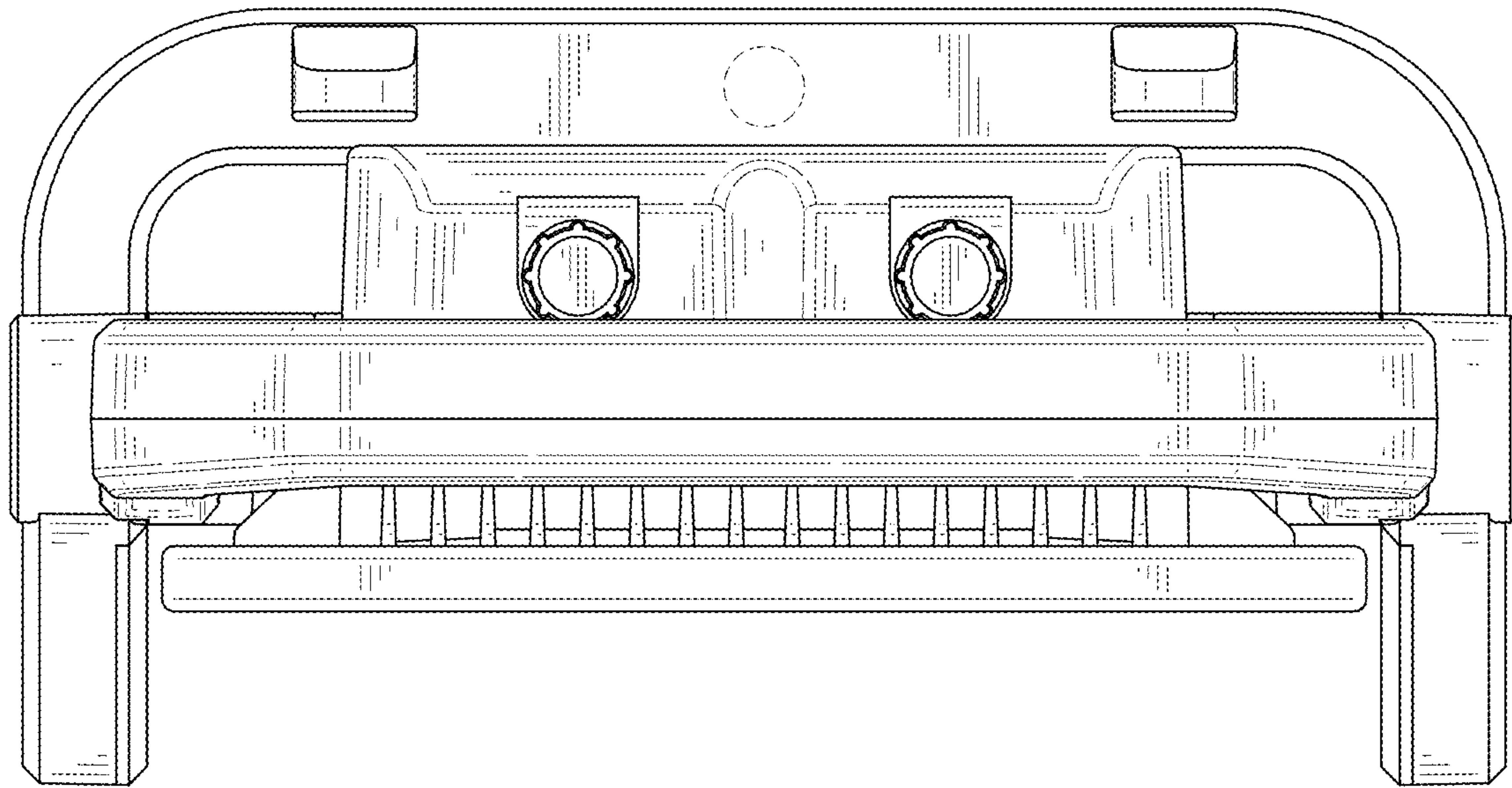


FIG. 7

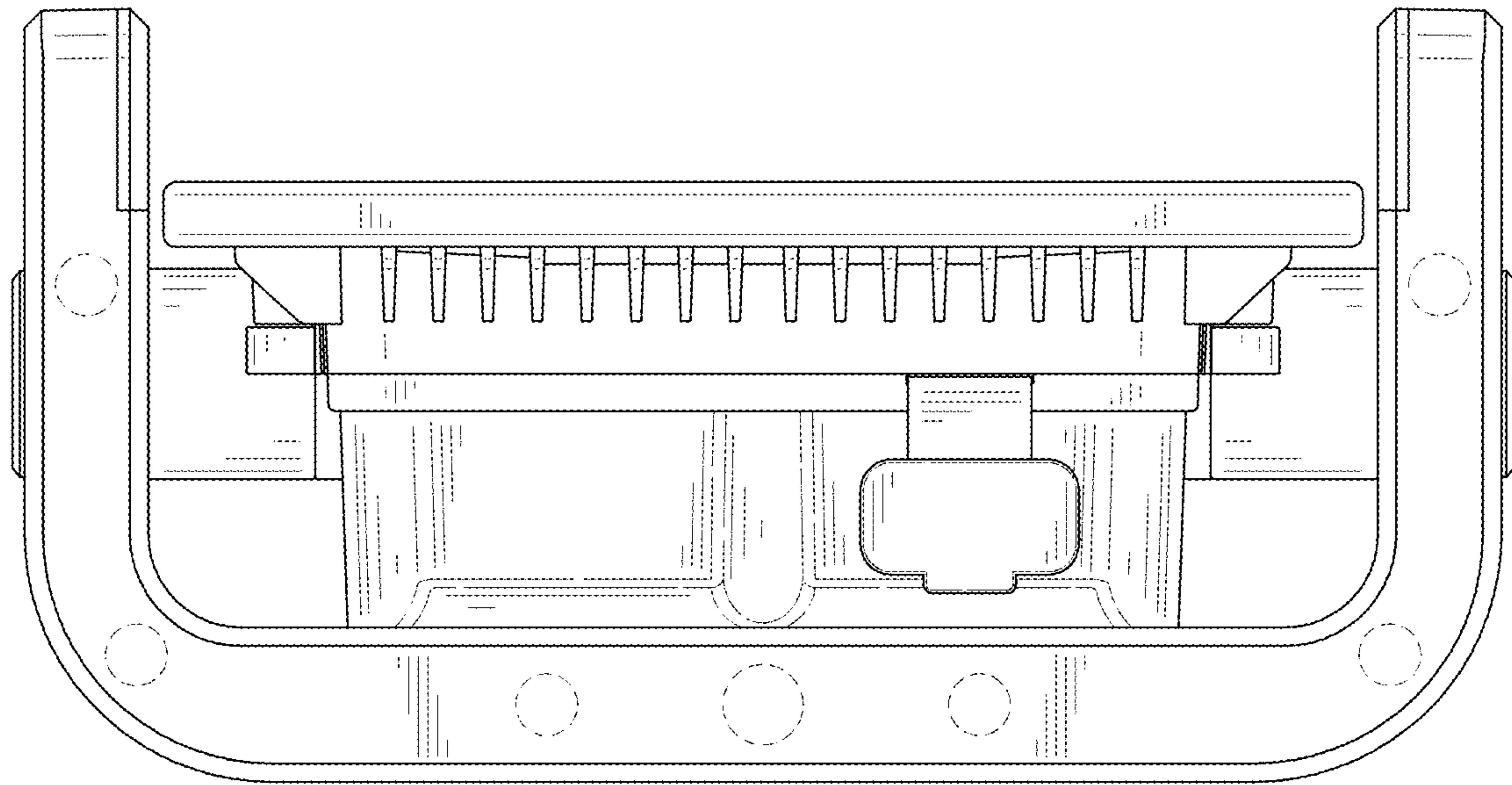


FIG. 8