



US00D934471S

(12) **United States Design Patent**  
**Yeh**

(10) **Patent No.:** **US D934,471 S**

(45) **Date of Patent:** **\*\* Oct. 26, 2021**

(54) **CAR HEADLIGHTS**

(71) Applicant: **Chun-Hung Yeh**, Jiangsu (CN)

(72) Inventor: **Chun-Hung Yeh**, Jiangsu (CN)

(\*\*) Term: **15 Years**

(21) Appl. No.: **29/764,825**

(22) Filed: **Jan. 4, 2021**

(51) **LOC (13) Cl.** ..... **26-06**

(52) **U.S. Cl.**  
USPC ..... **D26/28**

(58) **Field of Classification Search**  
USPC ..... D26/28-36, 139  
CPC ..... F21S 48/00; F21S 48/10; F21S 48/115;  
F21S 48/225; F21S 48/1233; F21S  
48/1266; F21S 48/1388; F21S 48/2268;  
F21V 21/04; F21V 29/004; B60Q 9/13;  
B60Q 9/135; B60Q 9/1375  
See application file for complete search history.

(56) **References Cited**

**U.S. PATENT DOCUMENTS**

D690,040 S *	9/2013	Lai	.....	D26/28
D743,070 S *	11/2015	Lai	.....	D26/28
D745,712 S *	12/2015	O'Donnell	.....	D26/28
D767,180 S *	9/2016	Lai	.....	D26/28
D803,432 S	11/2017	Choi		
D838,015 S	1/2019	McMahan et al.		
D838,883 S	1/2019	Ko		

D844,200 S *	3/2019	Lin	.....	D26/28
D846,770 S *	4/2019	Kozub	.....	D26/28
D850,677 S *	6/2019	Lin	.....	D26/28
D863,628 S *	10/2019	Lin	.....	D26/28
D874,038 S *	1/2020	He	.....	D26/28
D874,039 S *	1/2020	He	.....	D26/28
D897,575 S	9/2020	Manzoni		

\* cited by examiner

*Primary Examiner* — Marcus A Jackson

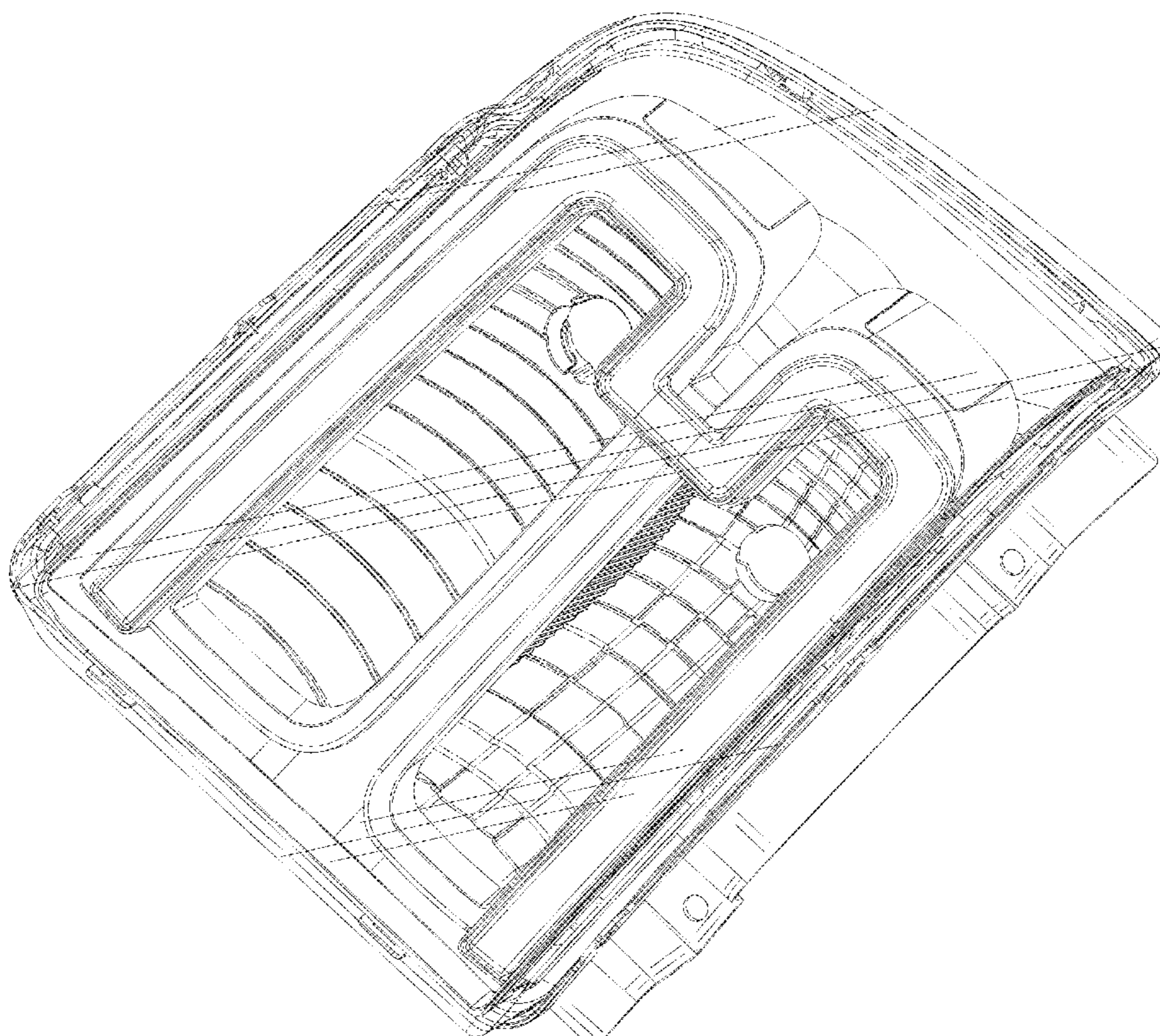
(57) **CLAIM**

The ornamental design for car headlights, as shown and described.

**DESCRIPTION**

FIG. 1 is a perspective view of car headlights showing our new design;  
FIG. 2 is another perspective view thereof;  
FIG. 3 is a front view thereof;  
FIG. 4 is a back view thereof;  
FIG. 5 is a left view thereof;  
FIG. 6 is a right view thereof;  
FIG. 7 is a top view thereof; and,  
FIG. 8 is a bottom view thereof.  
The broken lines shown on the drawings depict portions of the car headlights that form no part of the claimed design.

**1 Claim, 8 Drawing Sheets**



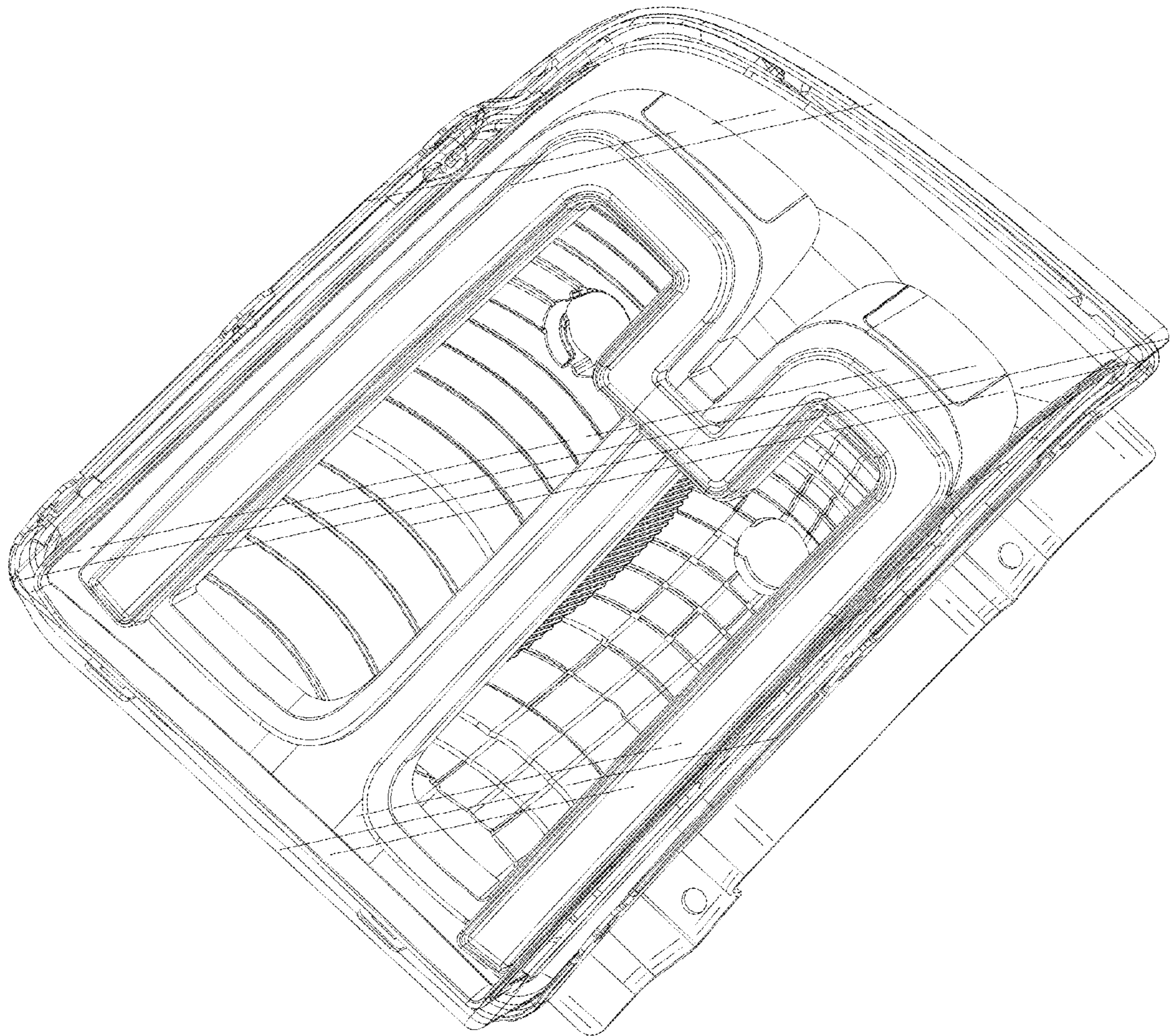


FIG. 1

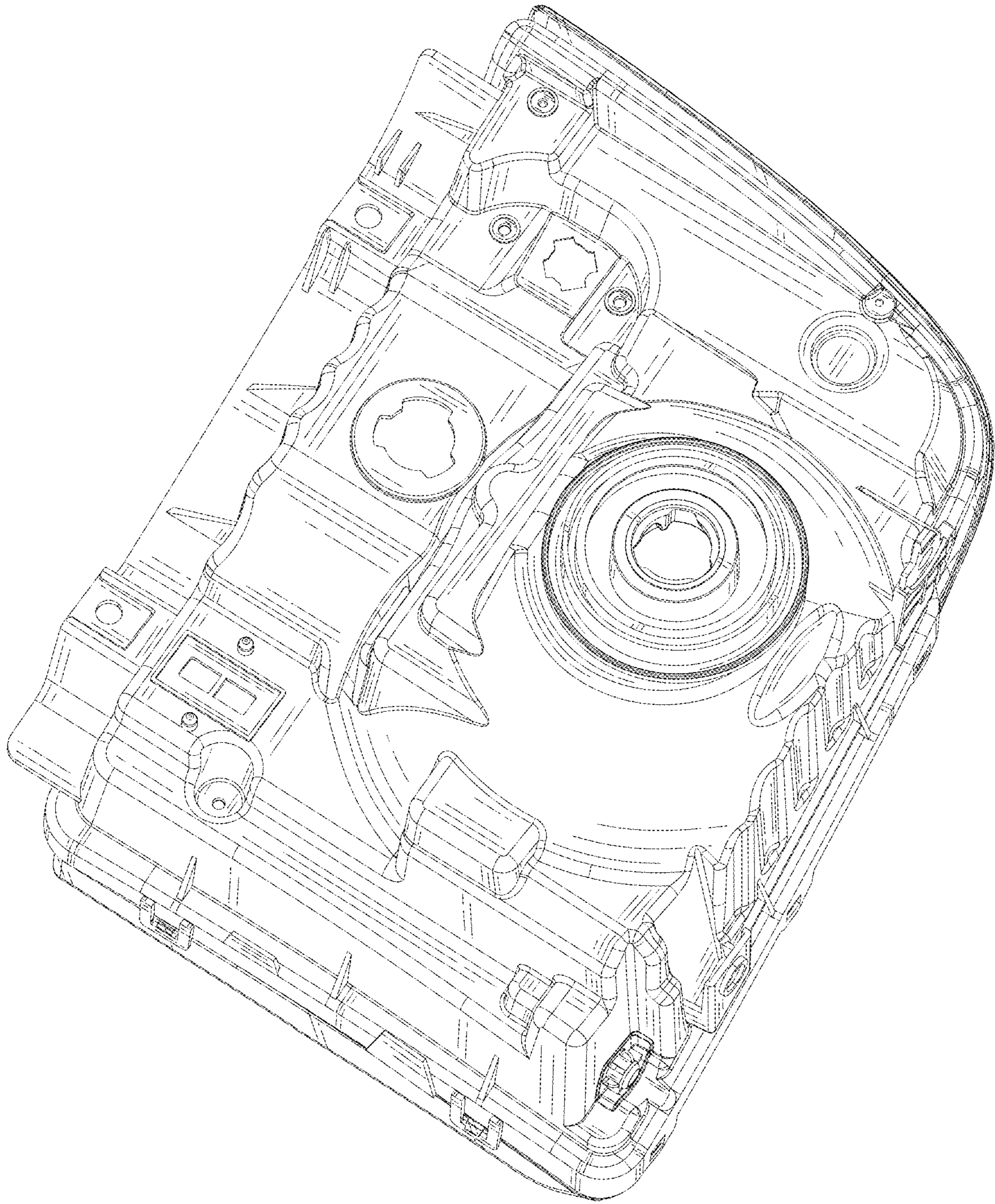


FIG. 2

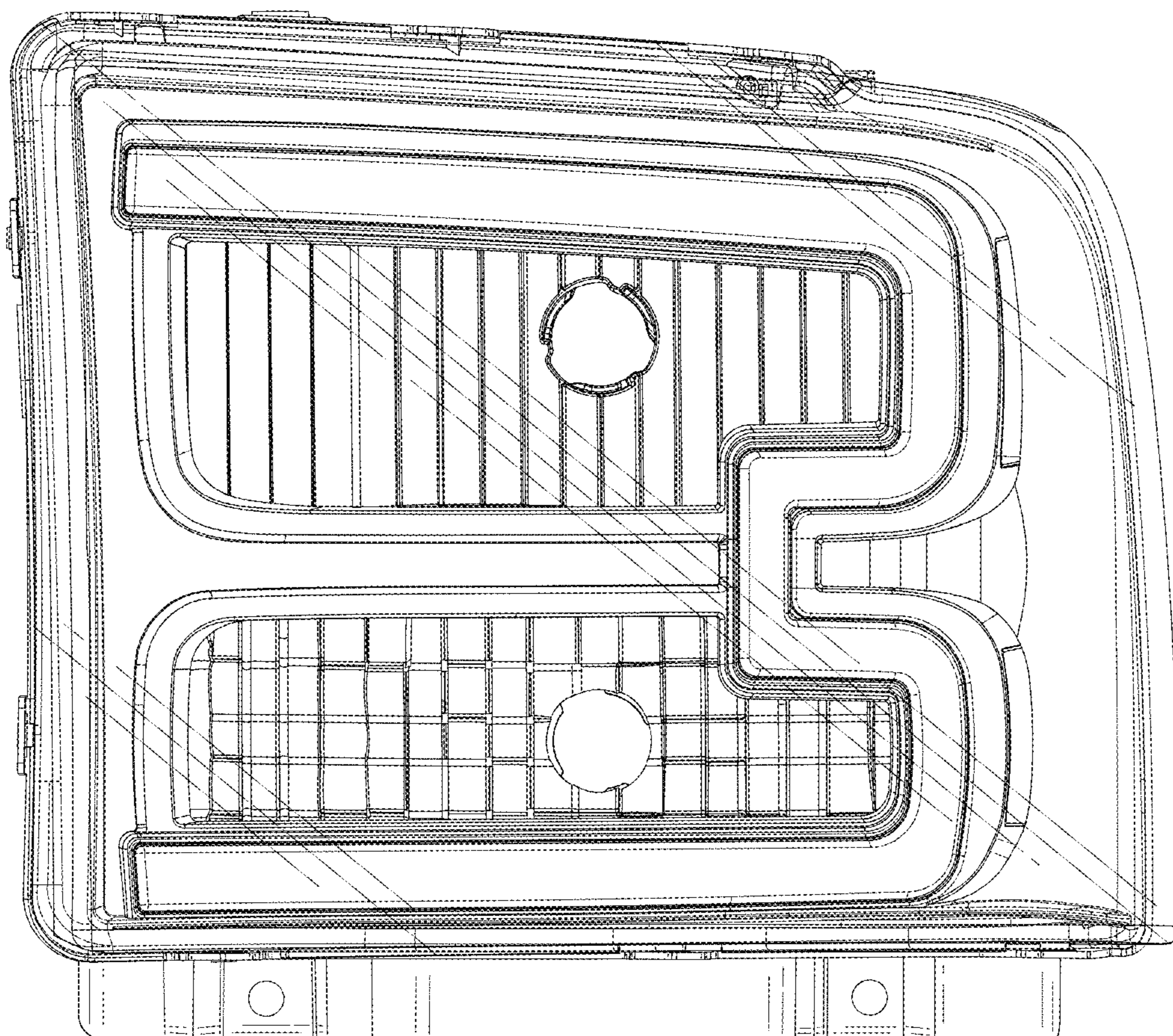


FIG. 3

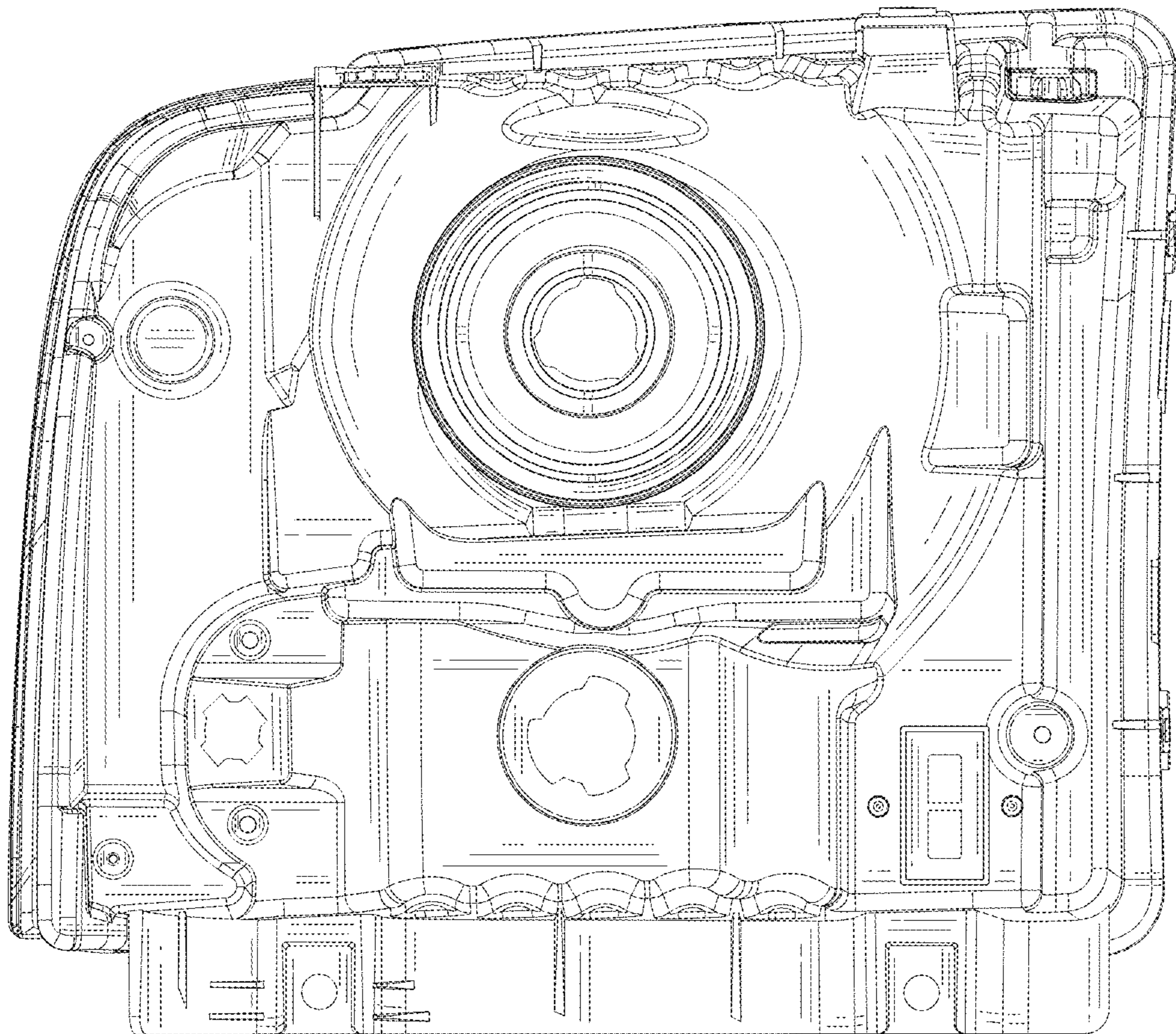


FIG. 4

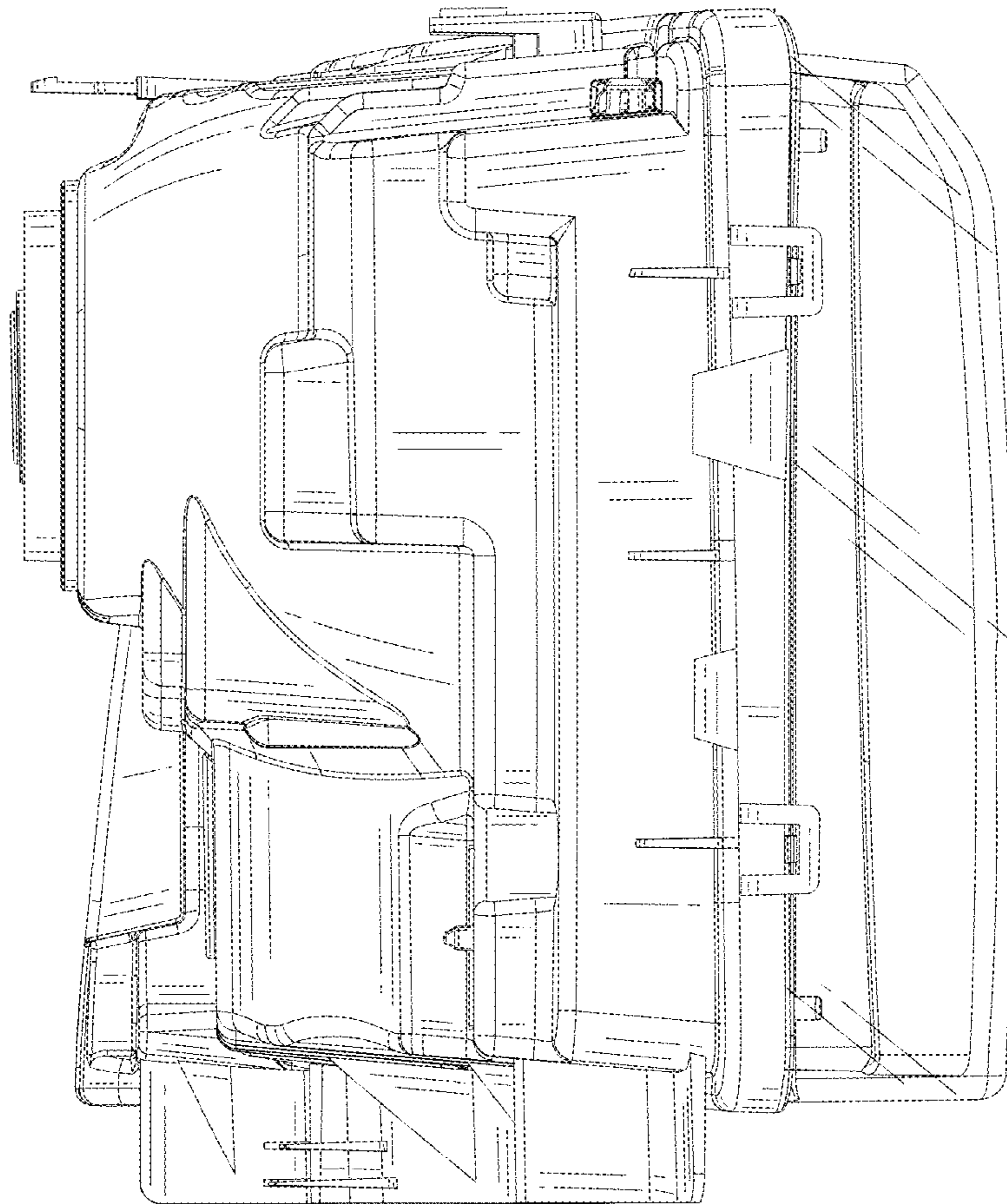


FIG. 5

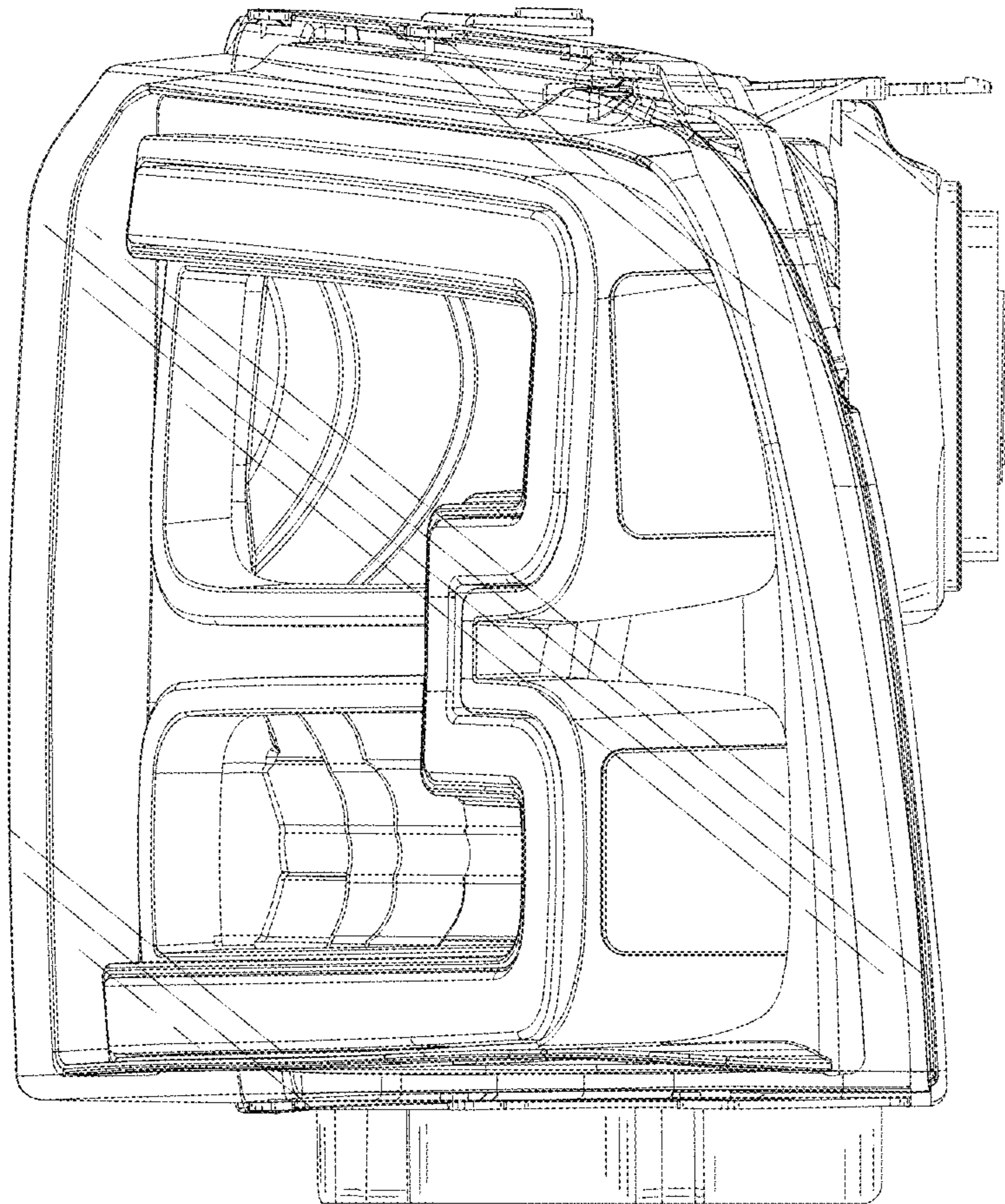


FIG. 6

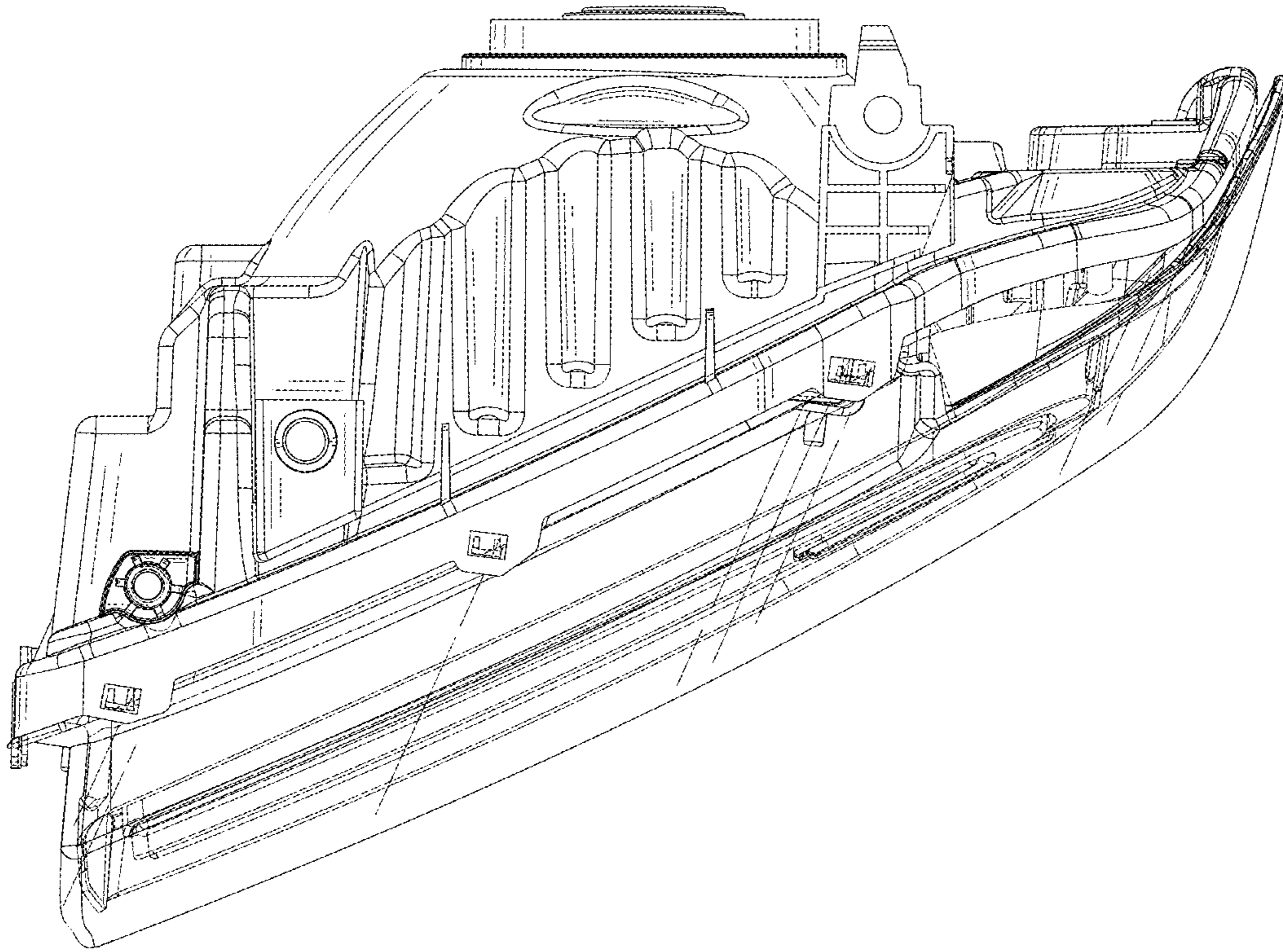


FIG. 7



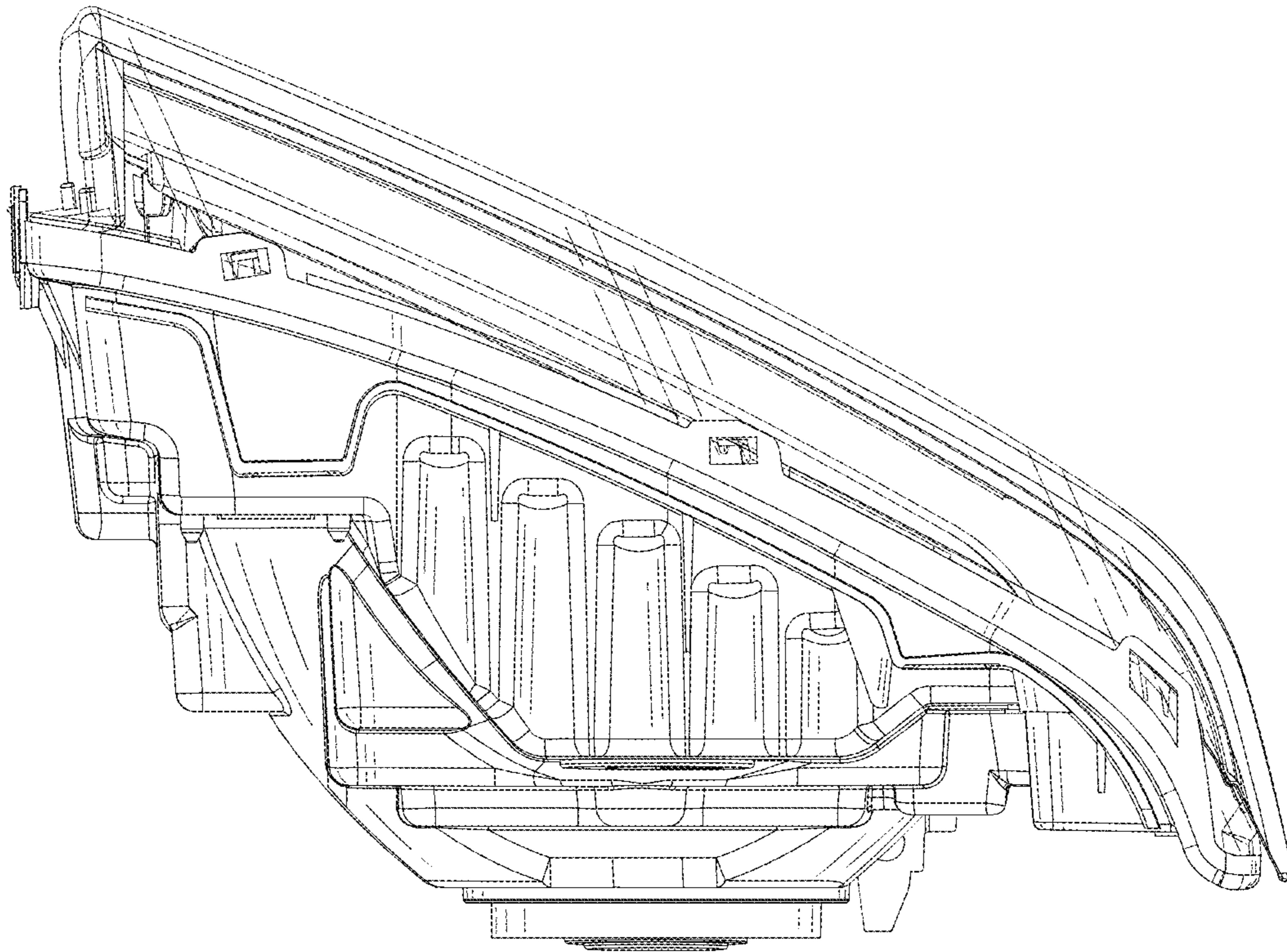


FIG. 8