



US00D934468S

(12) **United States Design Patent**
Yeh

(10) **Patent No.:** **US D934,468 S**

(45) **Date of Patent:** **** Oct. 26, 2021**

(54) **CAR HEADLIGHTS**

(71) Applicant: **Chun-Hung Yeh**, Jiangsu (CN)

(72) Inventor: **Chun-Hung Yeh**, Jiangsu (CN)

(**) Term: **15 Years**

(21) Appl. No.: **29/760,857**

(22) Filed: **Dec. 4, 2020**

(51) **LOC (13) Cl.** **26-06**

(52) **U.S. Cl.**
USPC **D26/28**

(58) **Field of Classification Search**
USPC D26/28-36, 139
CPC F21S 48/00; F21S 48/10; F21S 48/115;
F21S 48/225; F21S 48/1233; F21S
48/1266; F21S 48/1388; F21S 48/2268;
F21V 21/04; F21V 29/004; B60Q 9/13;
B60Q 9/135; B60Q 9/1375
See application file for complete search history.

(56) **References Cited**

U.S. PATENT DOCUMENTS

D690,040 S	*	9/2013	Lai	D26/28
D743,070 S	*	11/2015	Lai	D26/28
D745,712 S	*	12/2015	O'Donnell	D26/28
D767,180 S	*	9/2016	Lai	D26/28
D803,432 S		11/2017	Choi		
D838,015 S		1/2019	McMahan et al.		
D838,883 S		1/2019	Ko		

D842,503 S	*	3/2019	Yang	D26/28
D844,200 S	*	3/2019	Lin	D26/28
D850,677 S	*	6/2019	Lin	D26/28
D863,628 S	*	10/2019	Lin	D26/28
D874,038 S	*	1/2020	He	D26/28
D874,039 S	*	1/2020	He	D26/28
D897,575 S		9/2020	Manzoni		

* cited by examiner

Primary Examiner — Marcus A Jackson

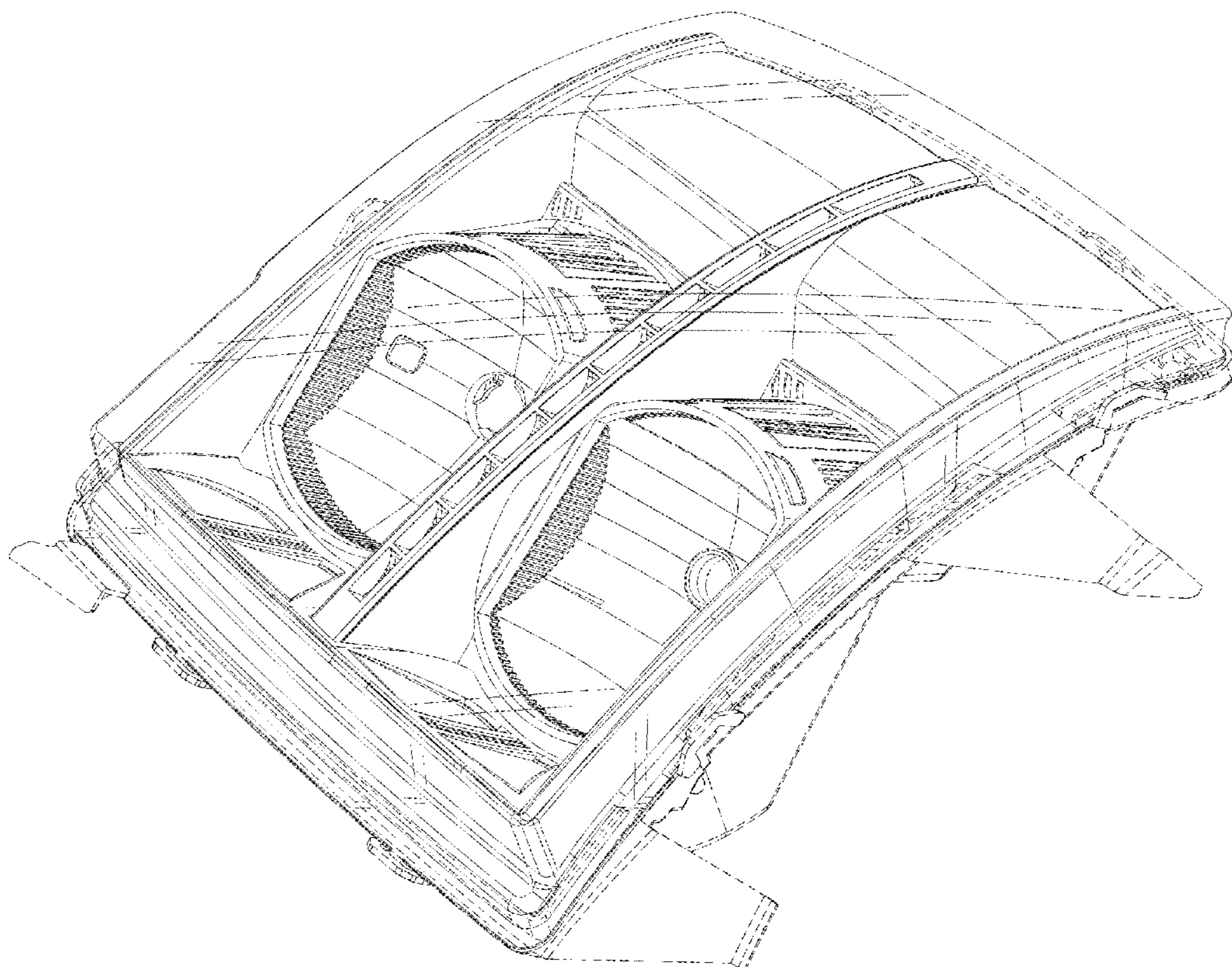
(57) **CLAIM**

The ornamental design for car headlights, as shown and described.

DESCRIPTION

FIG. 1 is a perspective view of car headlights showing our new design;
FIG. 2 is another perspective view thereof;
FIG. 3 is a front view thereof;
FIG. 4 is a back view thereof;
FIG. 5 is a bottom view thereof;
FIG. 6 is a top view thereof;
FIG. 7 is a left view thereof; and,
FIG. 8 is a right view thereof.
The broken lines shown on the drawings depict portions of the car headlights that form no part of the claimed design.

1 Claim, 8 Drawing Sheets



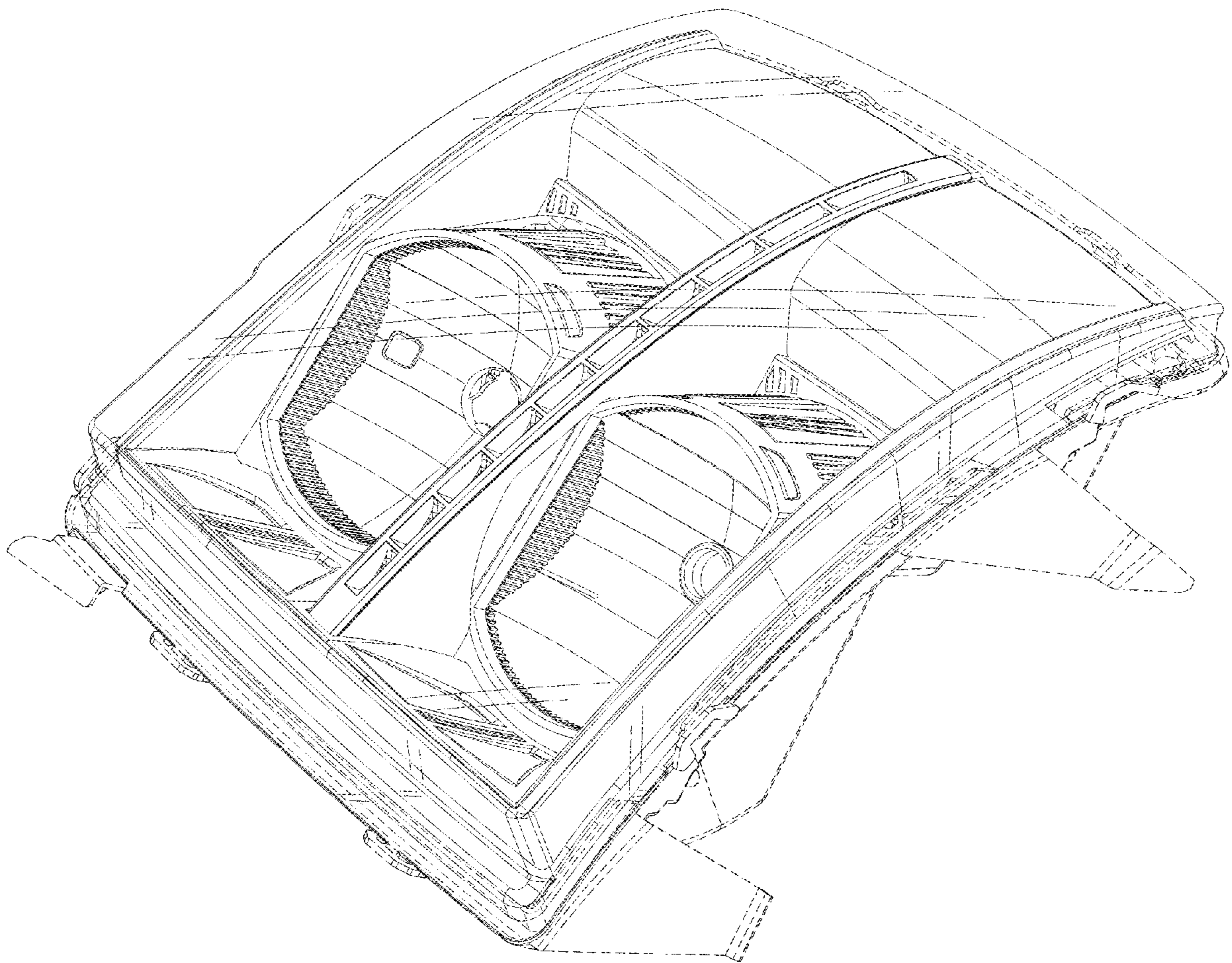


FIG. 1

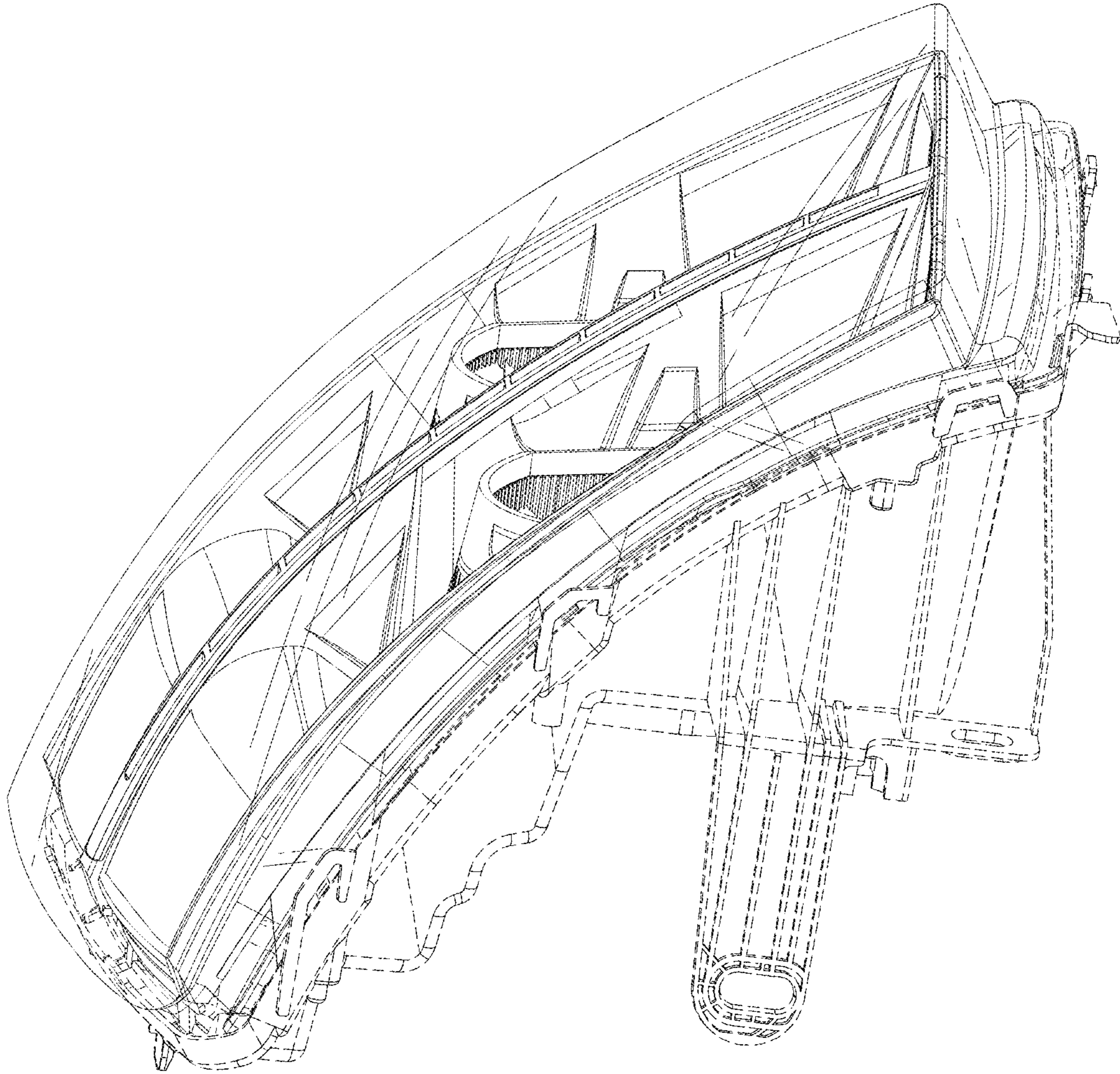


FIG. 2

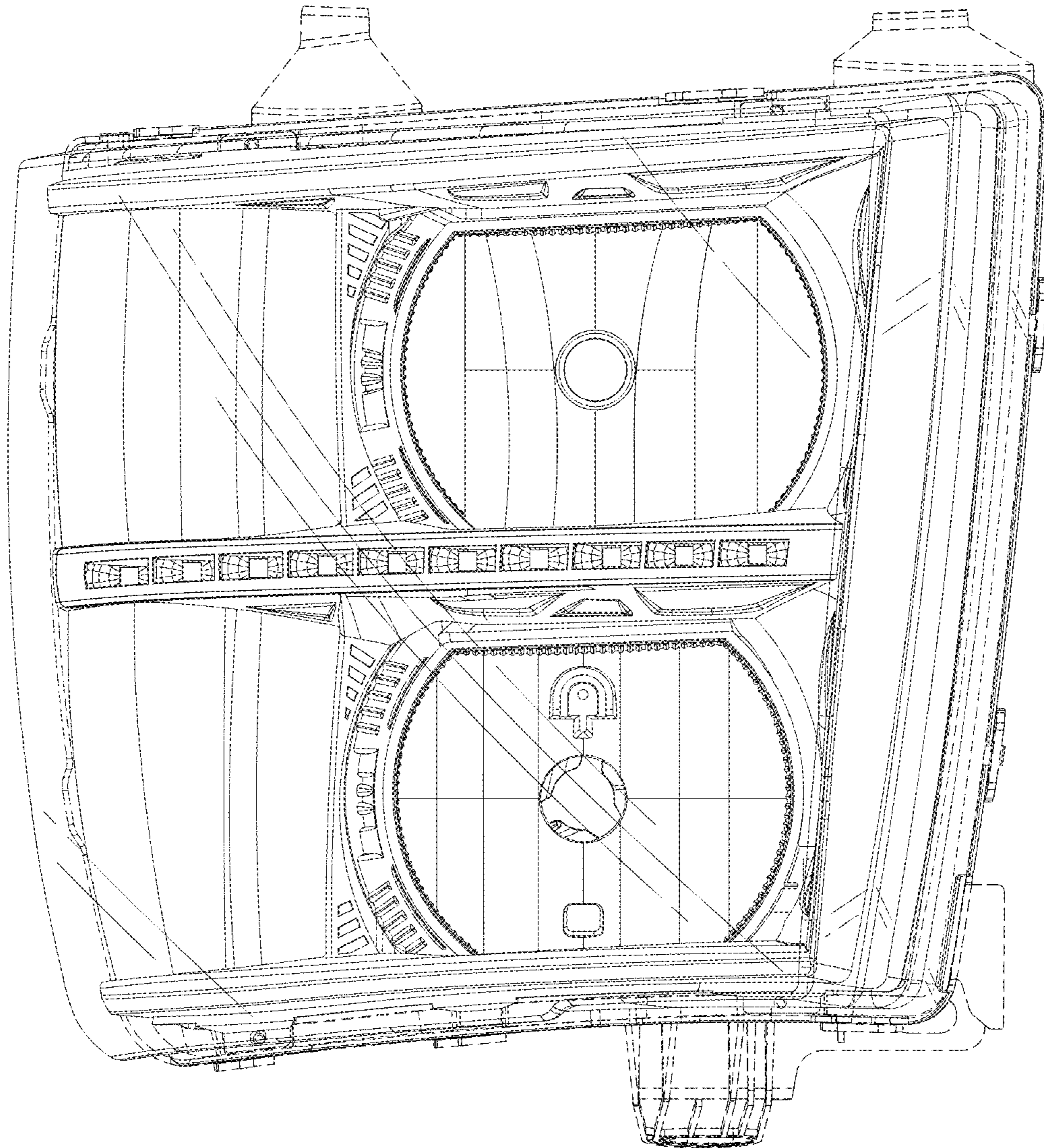


FIG. 3

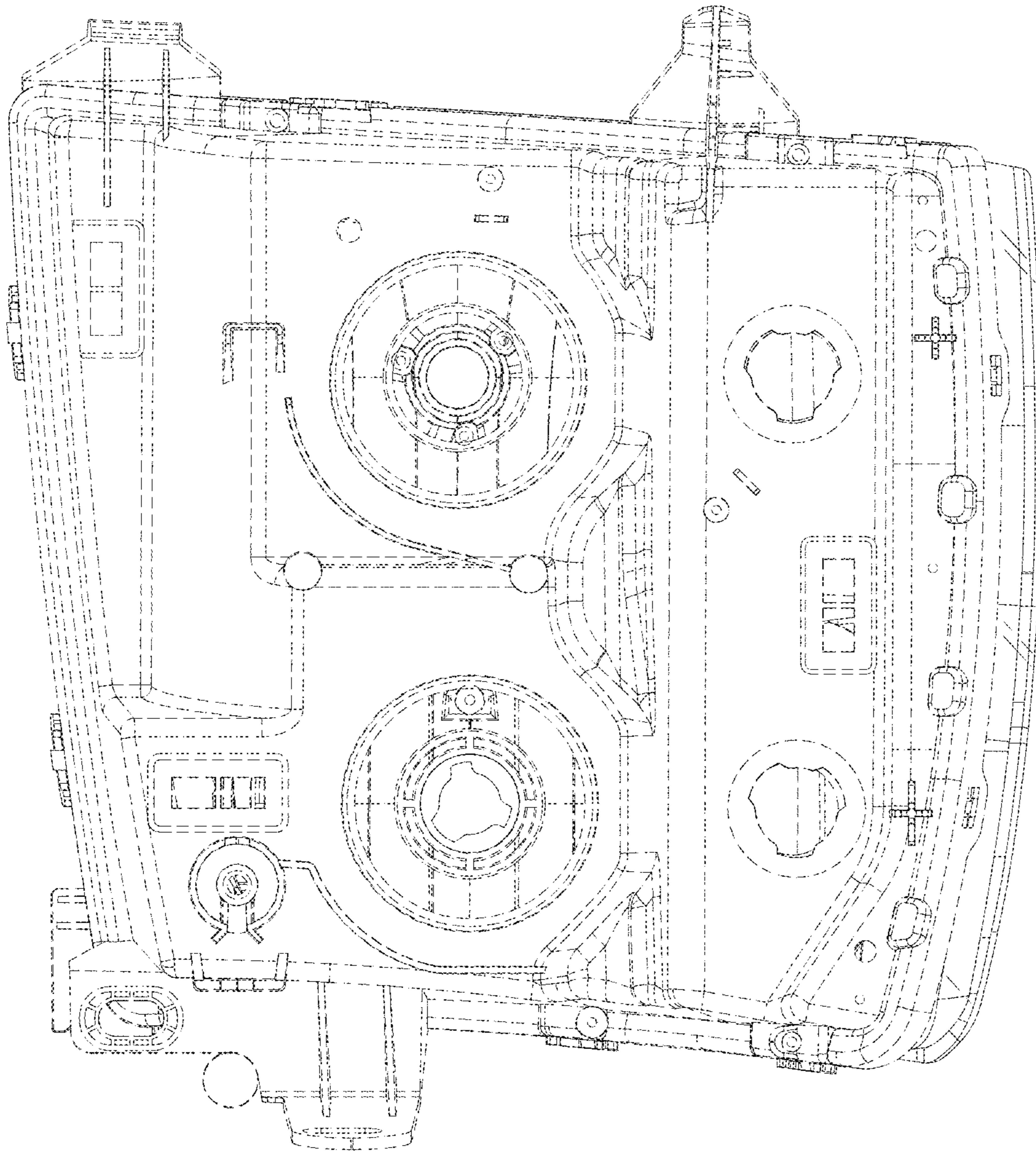


FIG. 4

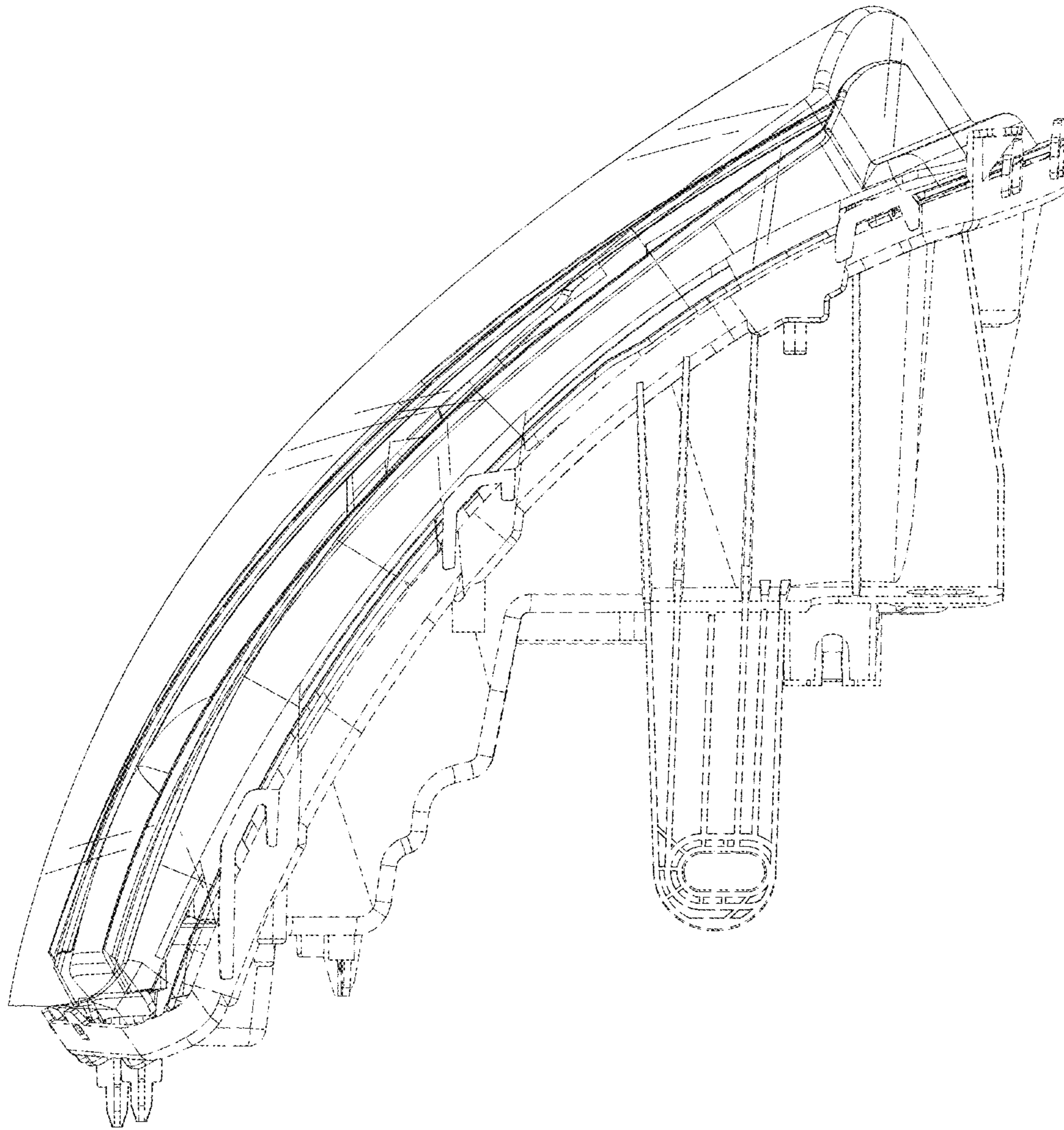


FIG. 5

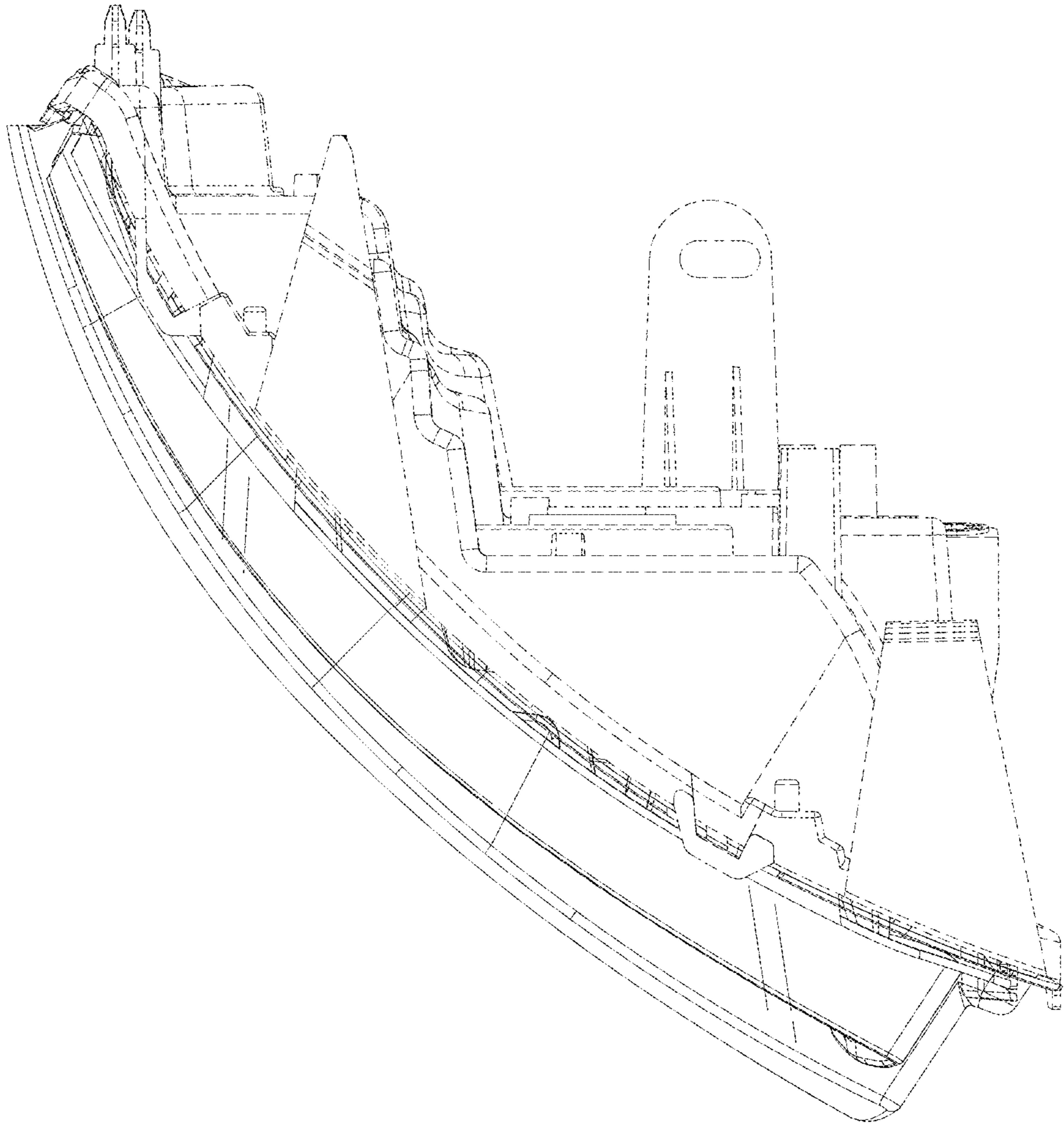


FIG. 6

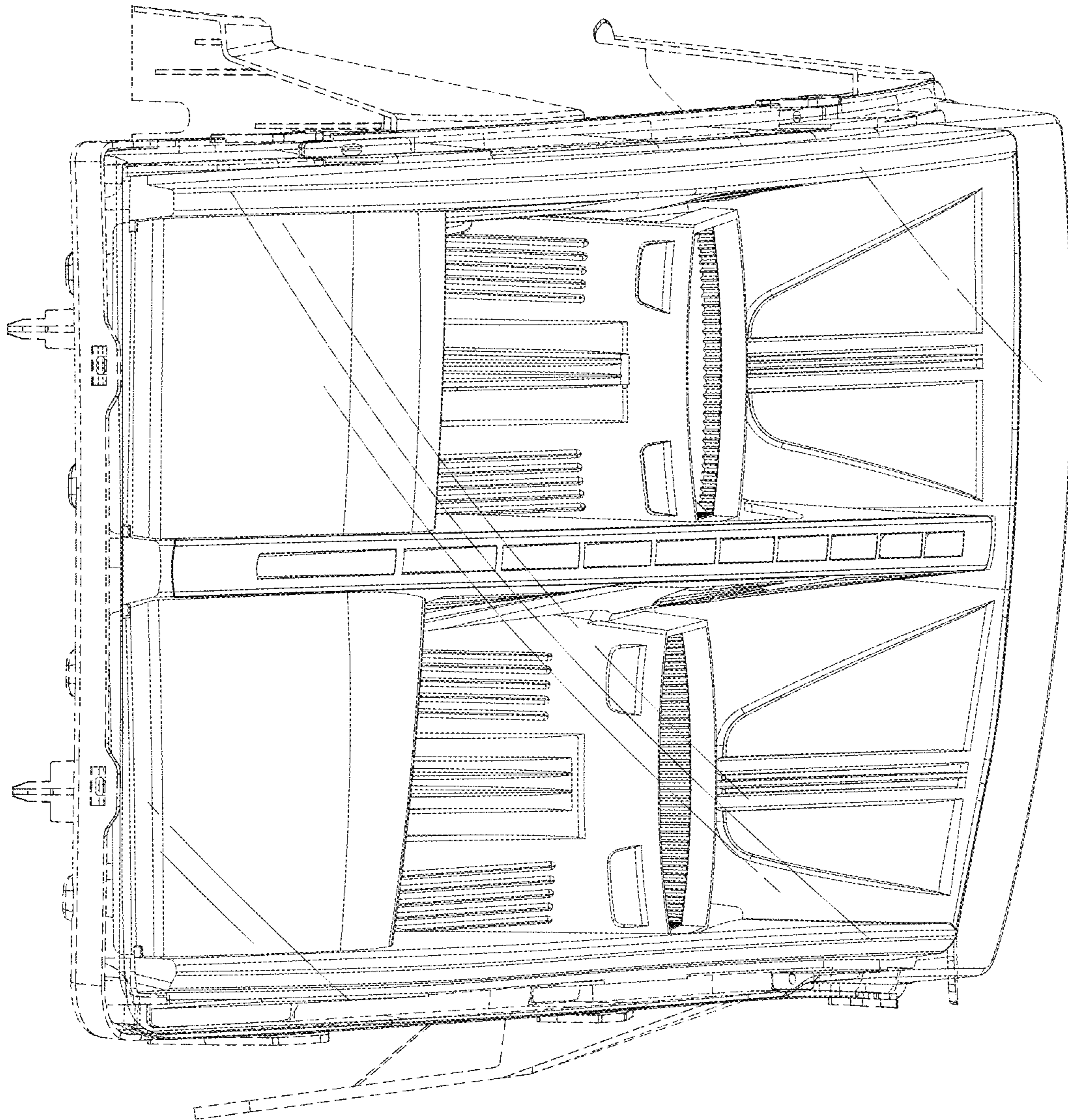


FIG. 7

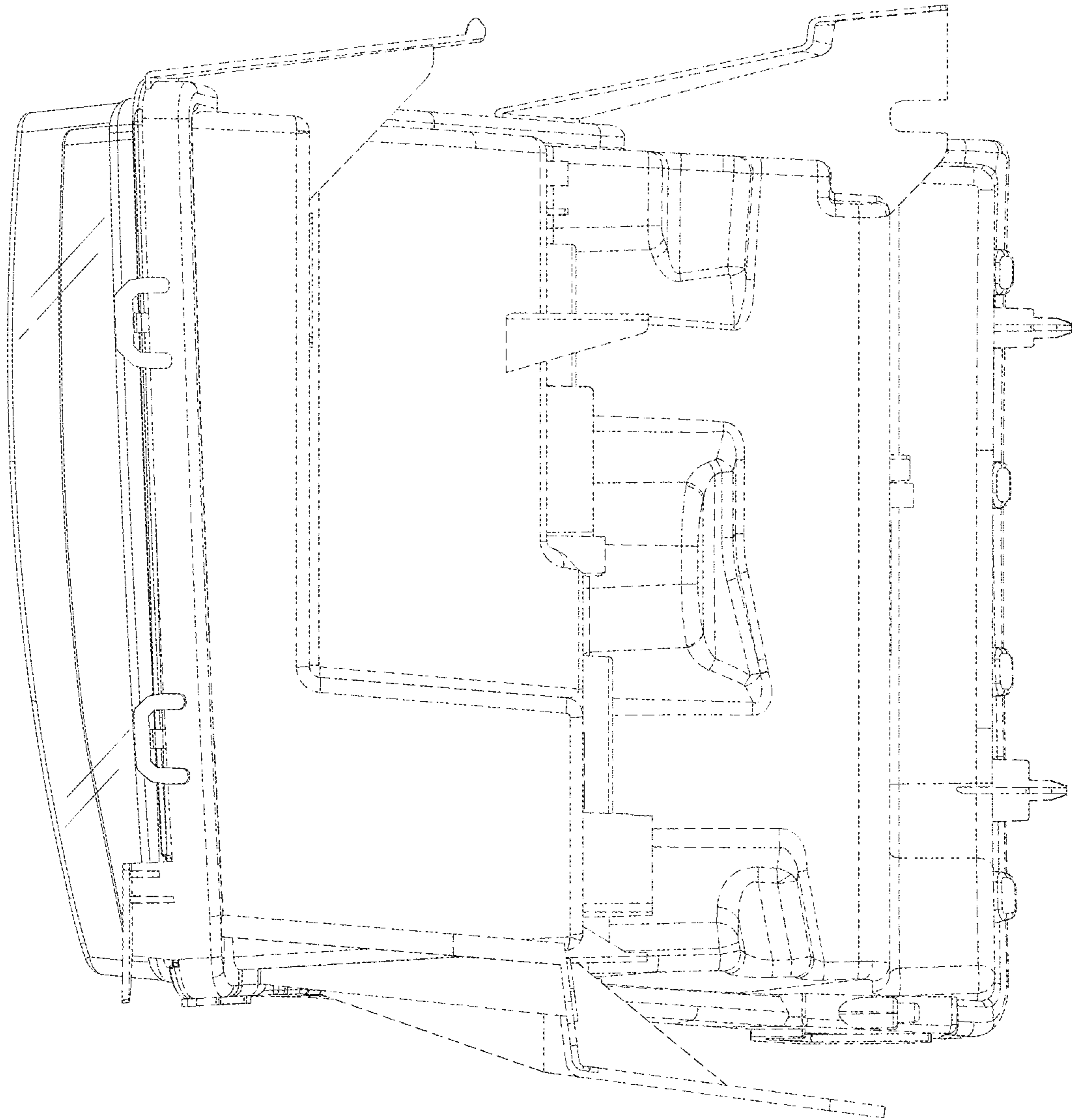


FIG. 8