



US00D934467S

(12) **United States Design Patent**
Hu

(10) **Patent No.:** **US D934,467 S**

(45) **Date of Patent:** **** Oct. 26, 2021**

(54) **HEADLIGHT**

(71) Applicant: **Chun Hu**, Guangzhou (CN)

(72) Inventor: **Chun Hu**, Guangzhou (CN)

(**) Term: **15 Years**

(21) Appl. No.: **29/735,415**

(22) Filed: **May 21, 2020**

(51) **LOC (13) Cl.** **26-06**

(52) **U.S. Cl.**
USPC **D26/28**

(58) **Field of Classification Search**

USPC D26/28-36, 139

CPC F21S 48/00; F21S 48/10; F21S 48/115;

F21S 48/225; F21S 48/1233; F21S

48/1266; F21S 48/1388; F21S 48/2268;

F21V 21/04; F21V 29/004; B60Q 9/13;

B60Q 9/135; B60Q 9/1375

See application file for complete search history.

(56) **References Cited**

U.S. PATENT DOCUMENTS

D495,814 S * 9/2004 James D26/28

D600,838 S * 9/2009 Kuboshima D26/28

D607,128 S * 12/2009 Wu D26/28

D712,577 S * 9/2014 Merovitz D26/28

D712,578 S * 9/2014 Merovitz D26/28

D728,138 S * 4/2015 Christ D26/28

D737,482 S * 8/2015 Kuge D26/28

D747,516 S * 1/2016 Yang D26/28

* cited by examiner

Primary Examiner — Marcus A Jackson

(57) **CLAIM**

The ornamental design for headlight, as shown and described.

DESCRIPTION

FIG. 1 is a top view of the headlight design;

FIG. 2 is a bottom view thereof;

FIG. 3 is a front view thereof;

FIG. 4 is a back view thereof;

FIG. 5 is a right-side view thereof;

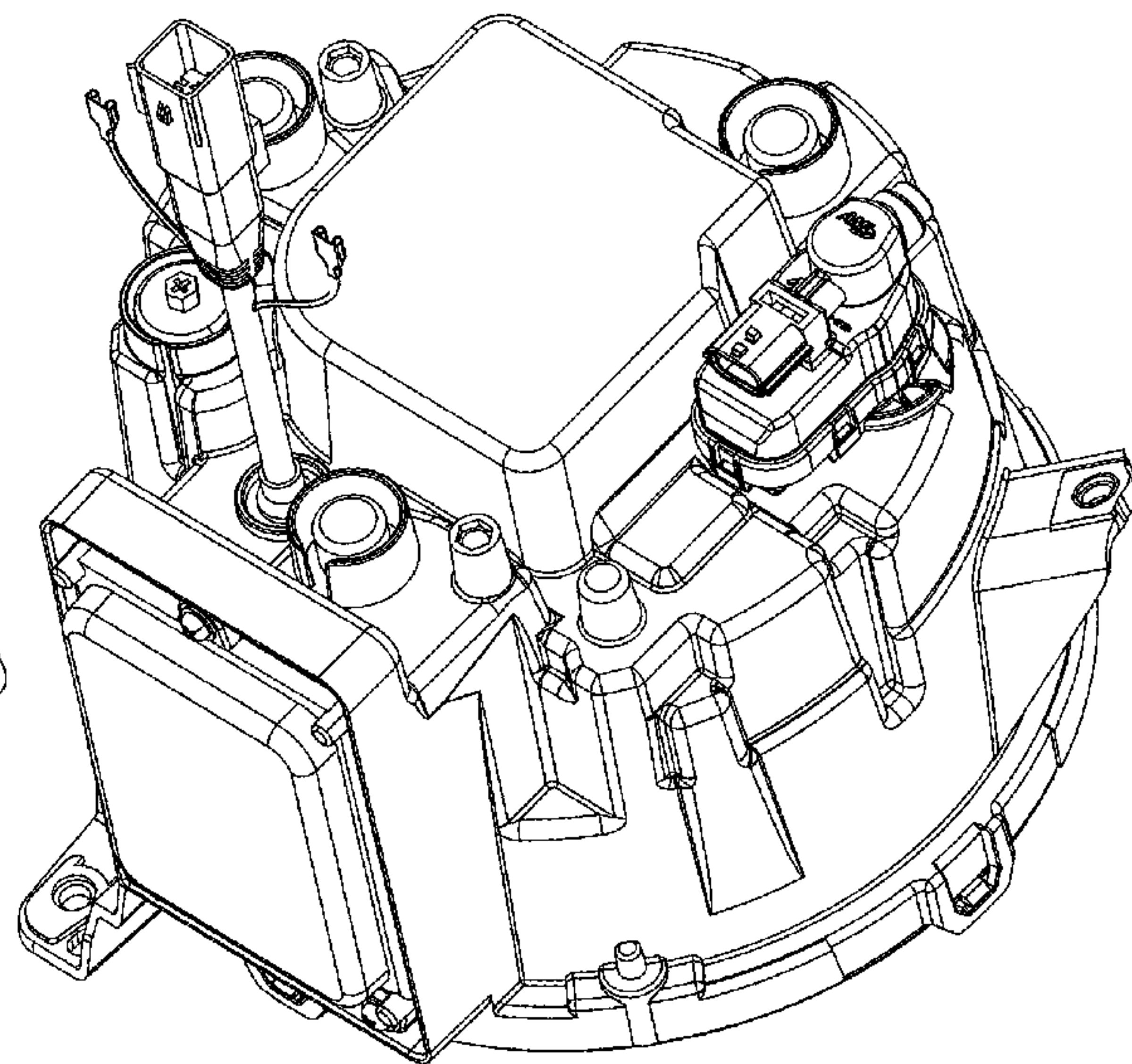
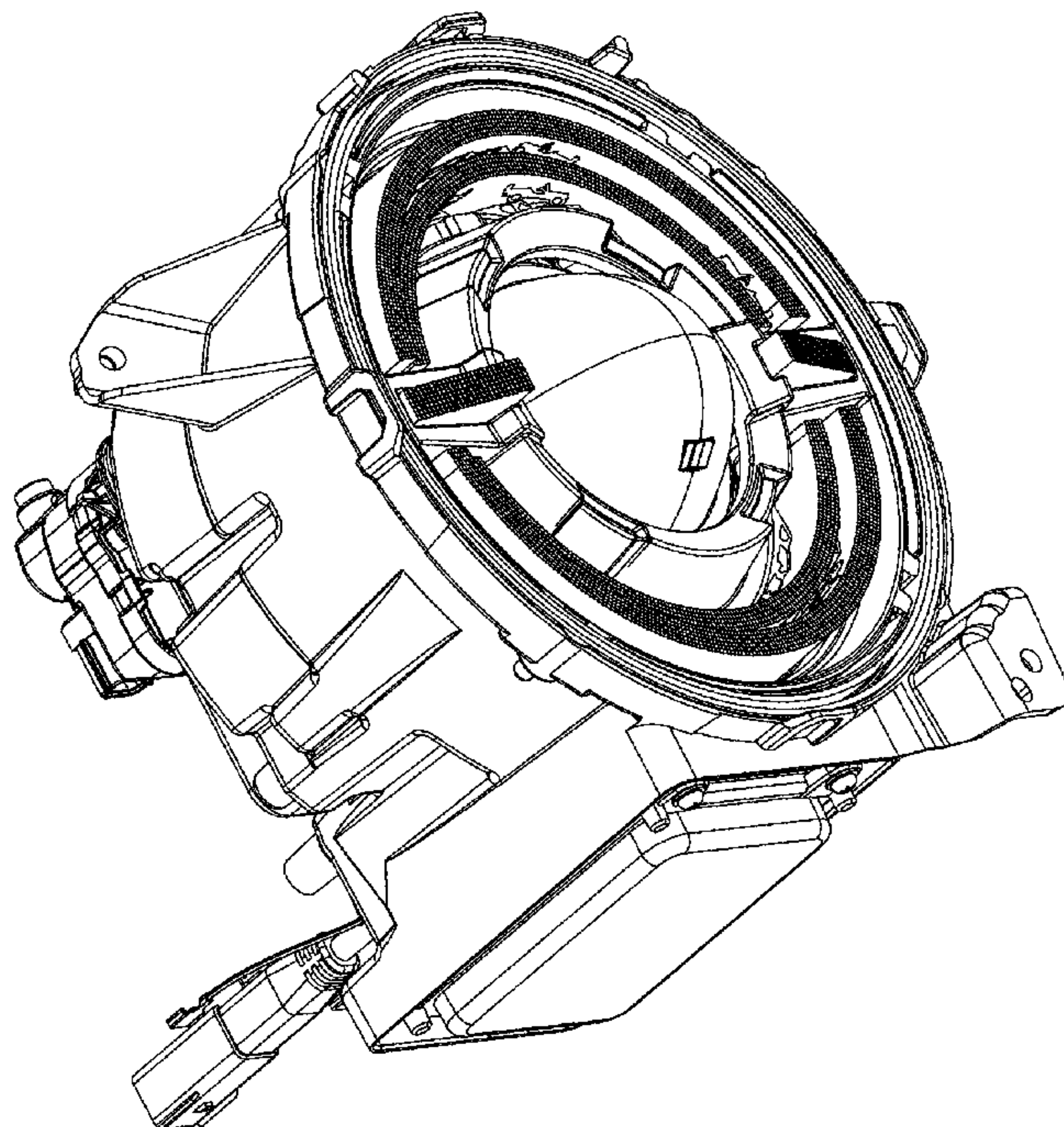
FIG. 6 is a left-side vertical view thereof;

FIG. 7 is a top-side vertical view thereof; and,

FIG. 8 is a bottom-side view thereof.

The headlight design is a 9-inch round LED headlight suitable for 2019 JEEP wrangler JL. In FIG. 3, the two circles of transparent materials are day-time running light, turning light and position lamp. The protruding part on the central axis is auxiliary signal light. The central part consists of two optical lenses, which function as high beam light and low beam light.

1 Claim, 8 Drawing Sheets



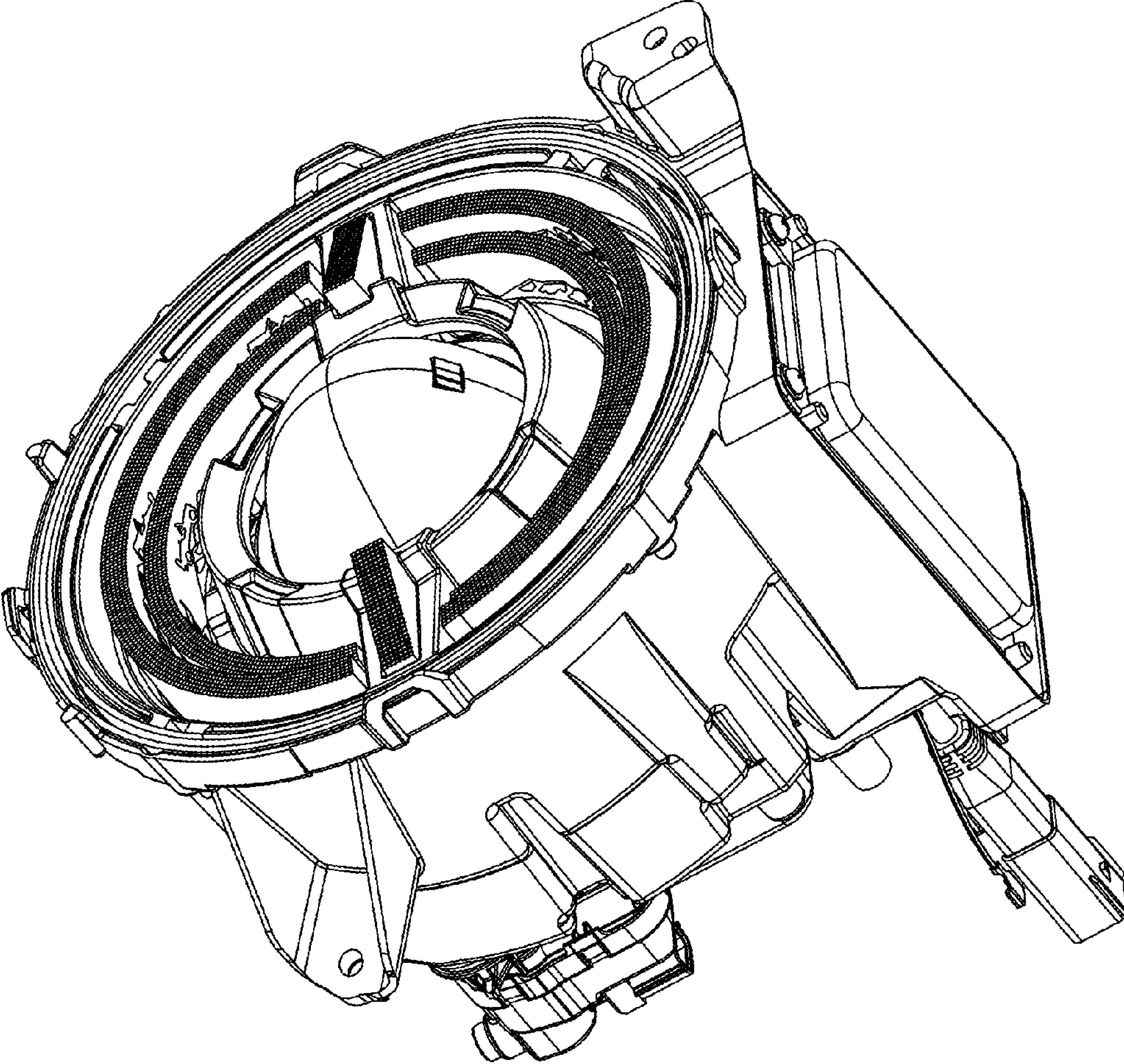


FIG. 1

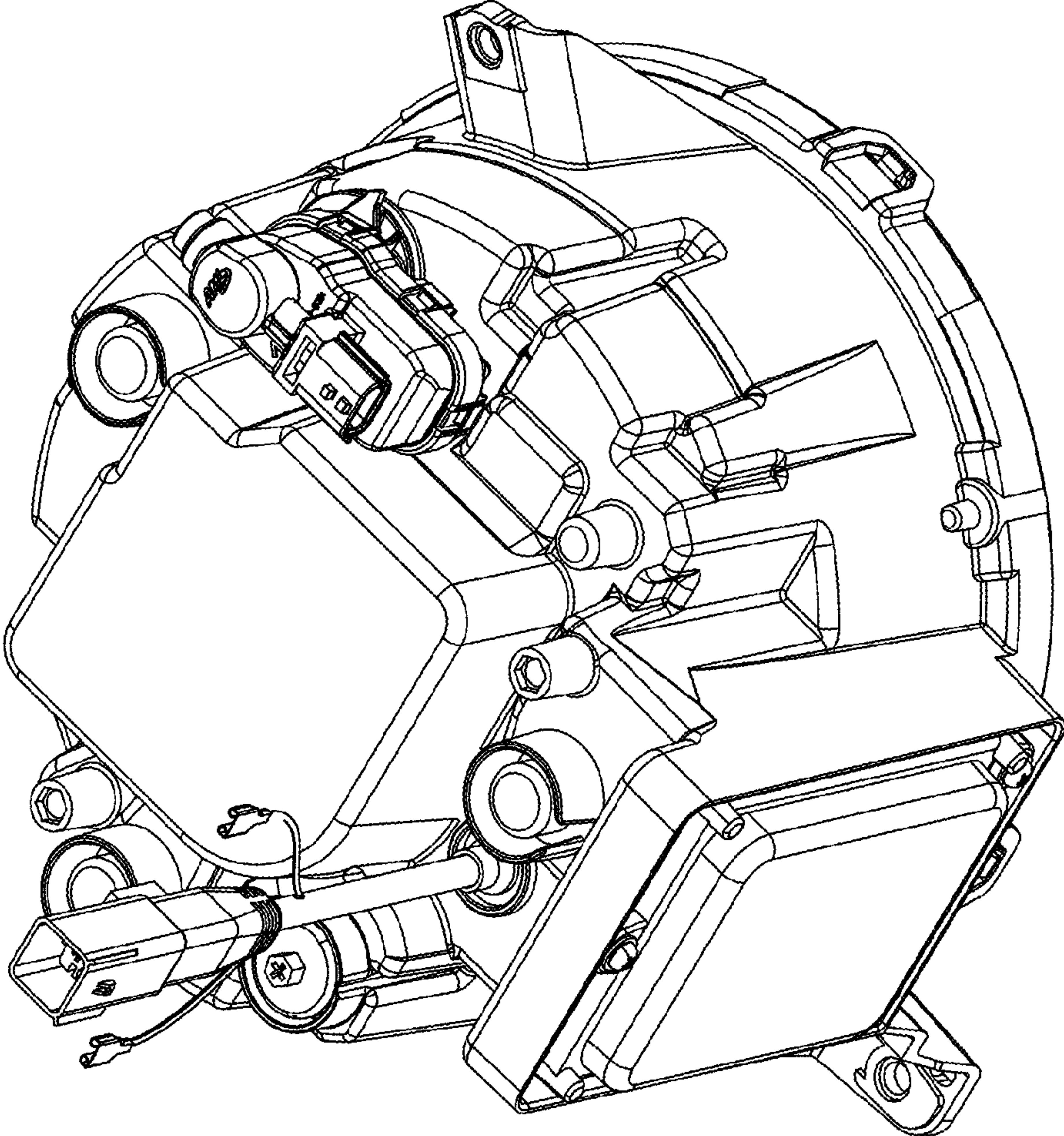
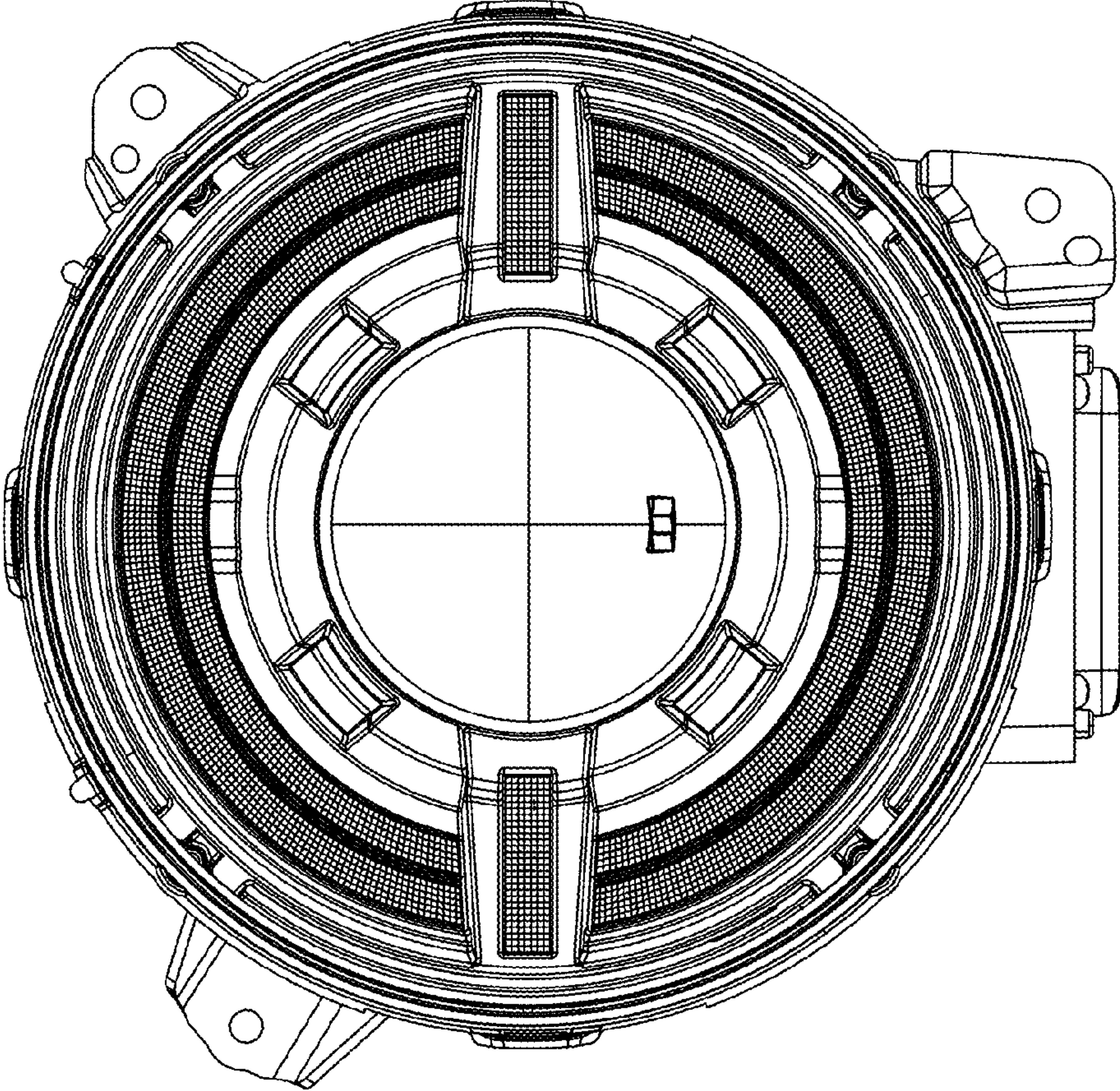


FIG. 2



F I G . 3

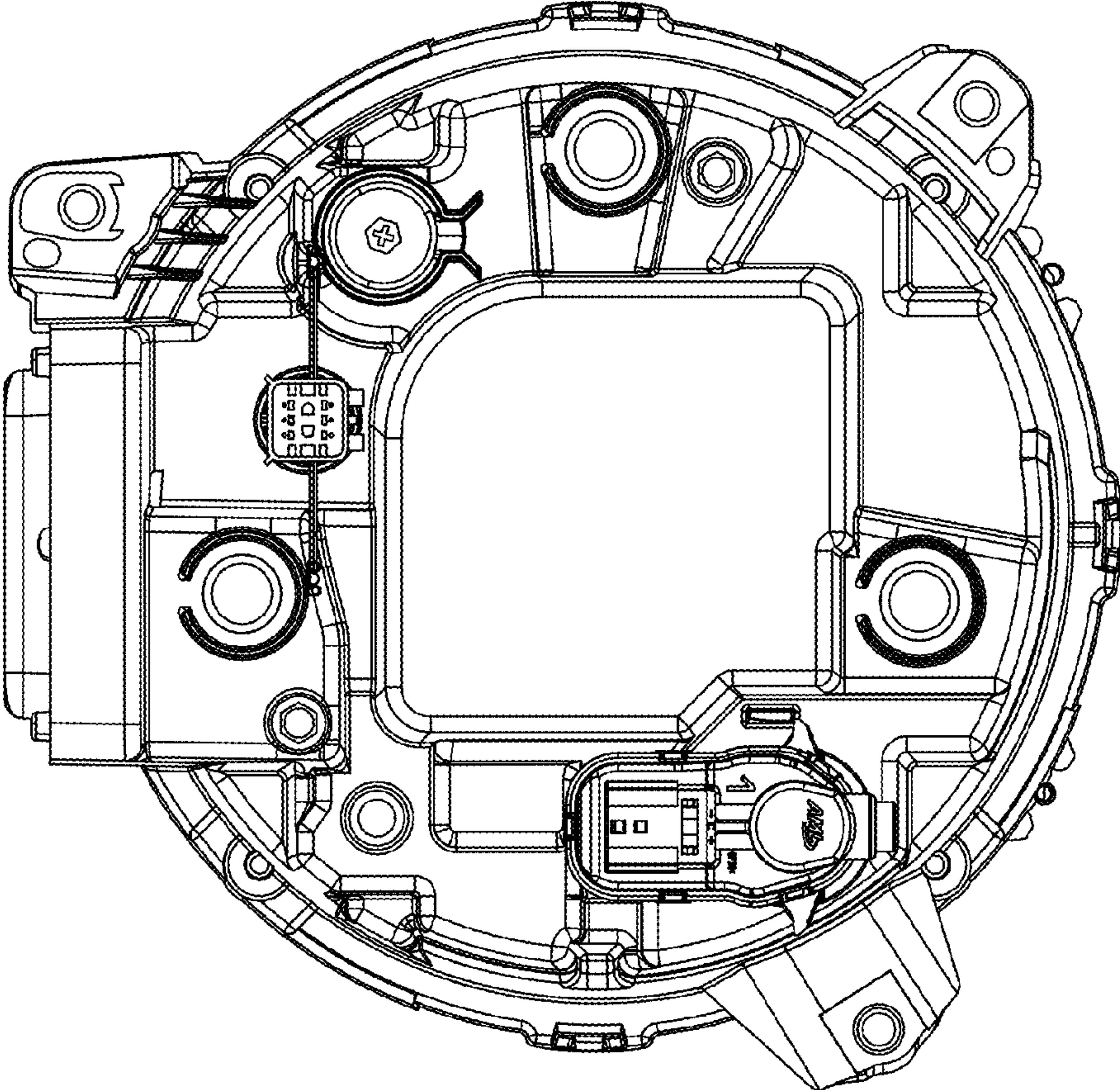


FIG. 4

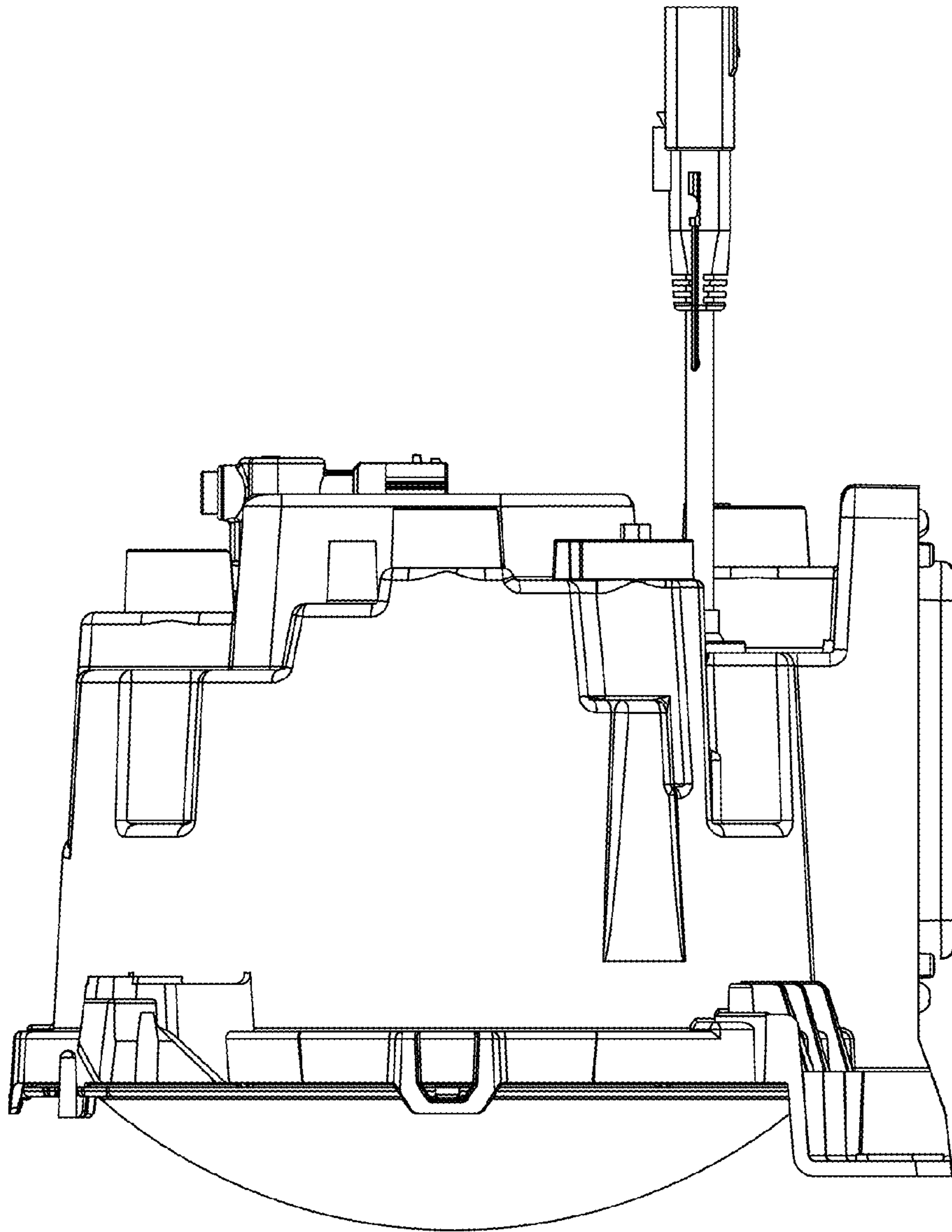


FIG. 5

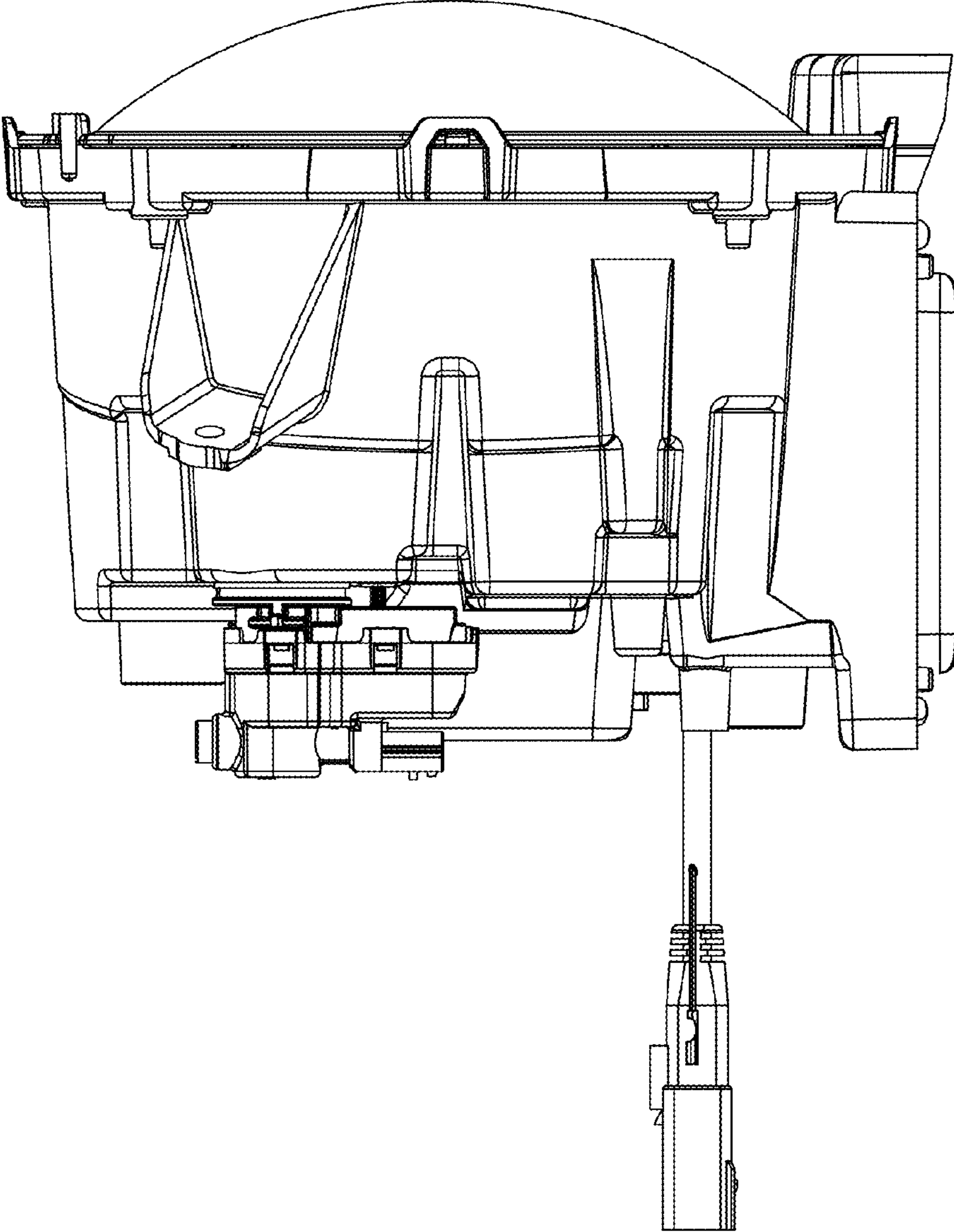


FIG. 6

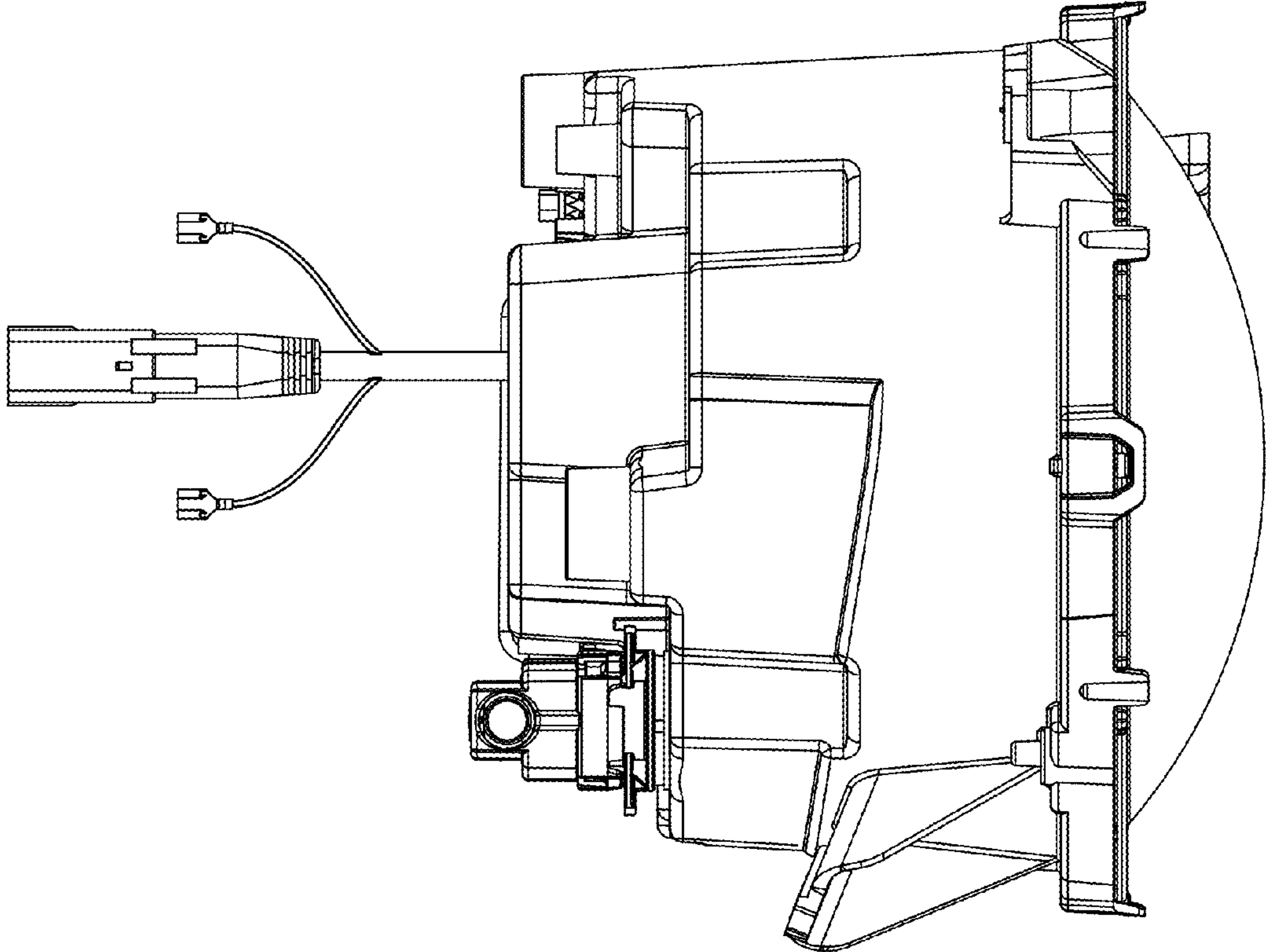


FIG. 7

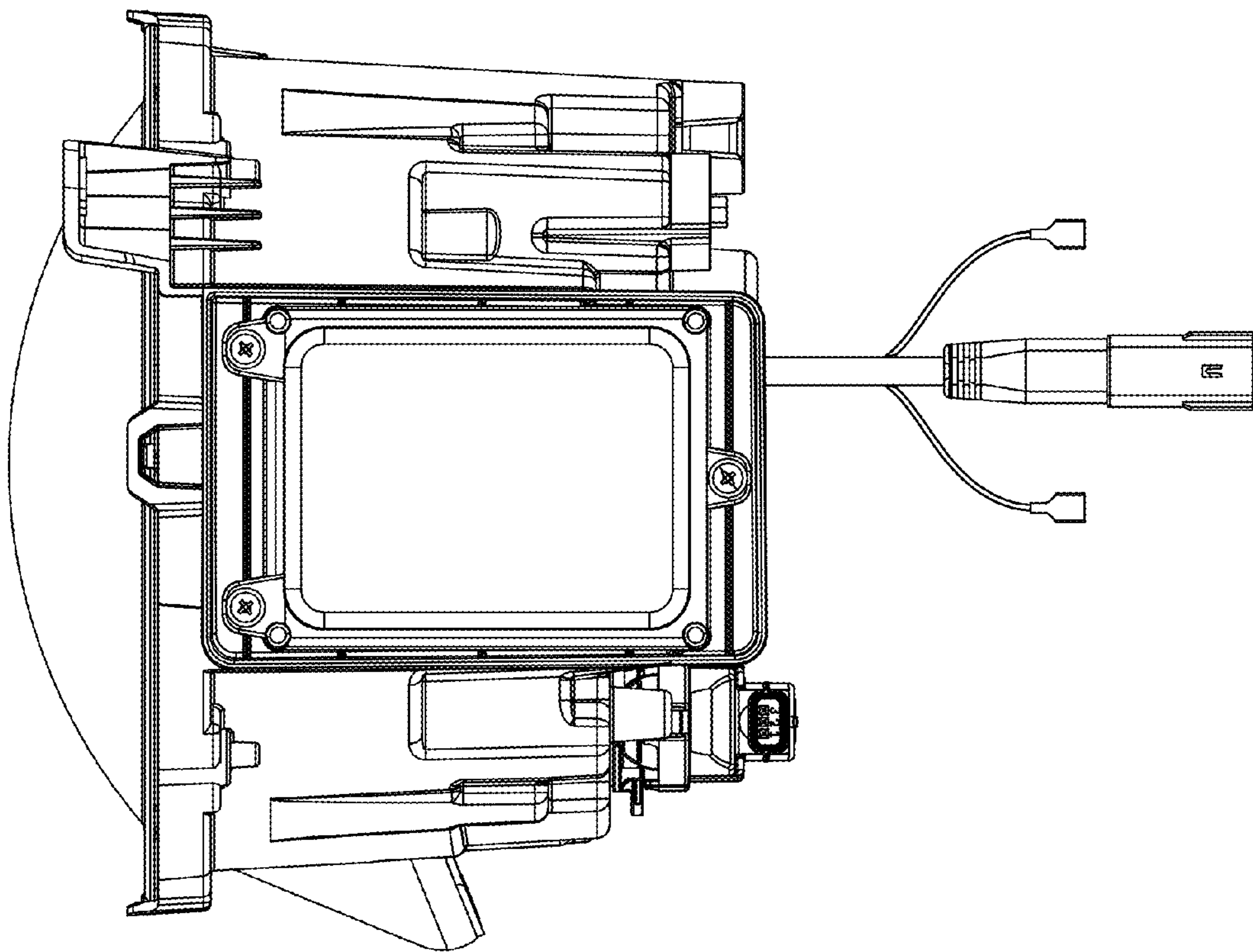


FIG. 8