

US00D934464S

(12) **United States Design Patent**
Allmendinger

(10) **Patent No.:** **US D934,464 S**

(45) **Date of Patent:** **** Oct. 26, 2021**

(54) **TAILLIGHT FOR A VEHICLE**
(71) Applicant: **Bayerische Motoren Werke**
Aktiengesellschaft, Munich (DE)
(72) Inventor: **Georg Allmendinger, Munich (DE)**
(73) Assignee: **Bayerische Motoren Werke**
Aktiengesellschaft, Munich (DE)

D769,485 S * 10/2016 Morikawa D26/28
D808,048 S 1/2018 Hannemann
D844,192 S * 3/2019 Nordmann D26/28
D861,933 S * 10/2019 Munakata D26/28
D871,632 S * 12/2019 Kim D26/28
D893,774 S * 8/2020 Binder D26/28
D895,863 S * 9/2020 Jeong D26/28
D895,865 S * 9/2020 Cha D26/28

(**) Term: **15 Years**
(21) Appl. No.: **29/734,737**
(22) Filed: **May 15, 2020**

FOREIGN PATENT DOCUMENTS
WO WO DM/072624 5/2010
* cited by examiner
Primary Examiner — Marcus A Jackson
(74) *Attorney, Agent, or Firm* — Crowell & Moring LLP

(30) **Foreign Application Priority Data**
Nov. 18, 2019 (DE) 402019101253.2
(51) **LOC (13) Cl.** **26-06**
(52) **U.S. Cl.**
USPC **D26/28**
(58) **Field of Classification Search**
USPC D26/28-36, 139
CPC F21S 48/00; F21S 48/10; F21S 48/115;
F21S 48/225; F21S 48/1233; F21S
48/1266; F21S 48/1388; F21S 48/2268;
F21V 21/04; F21V 29/004; B60Q 9/13;
B60Q 9/135; B60Q 9/1375
See application file for complete search history.

(57) **CLAIM**
The ornamental design for a taillight for a vehicle, as shown and described.

(56) **References Cited**
U.S. PATENT DOCUMENTS
D638,558 S 5/2011 Froehlich
D716,487 S * 10/2014 Martin D26/88

DESCRIPTION
FIG. 1 is a front view of a taillight for a vehicle according to the design;
FIG. 2 is a left, bottom perspective view thereof;
FIG. 3 is a right, top perspective view thereof;
FIG. 4 is a left side view thereof;
FIG. 5 is a right side view thereof;
FIG. 6 is a top view thereof;
FIG. 7 is a bottom view thereof; and,
FIG. 8 is a rear view thereof.

1 Claim, 8 Drawing Sheets

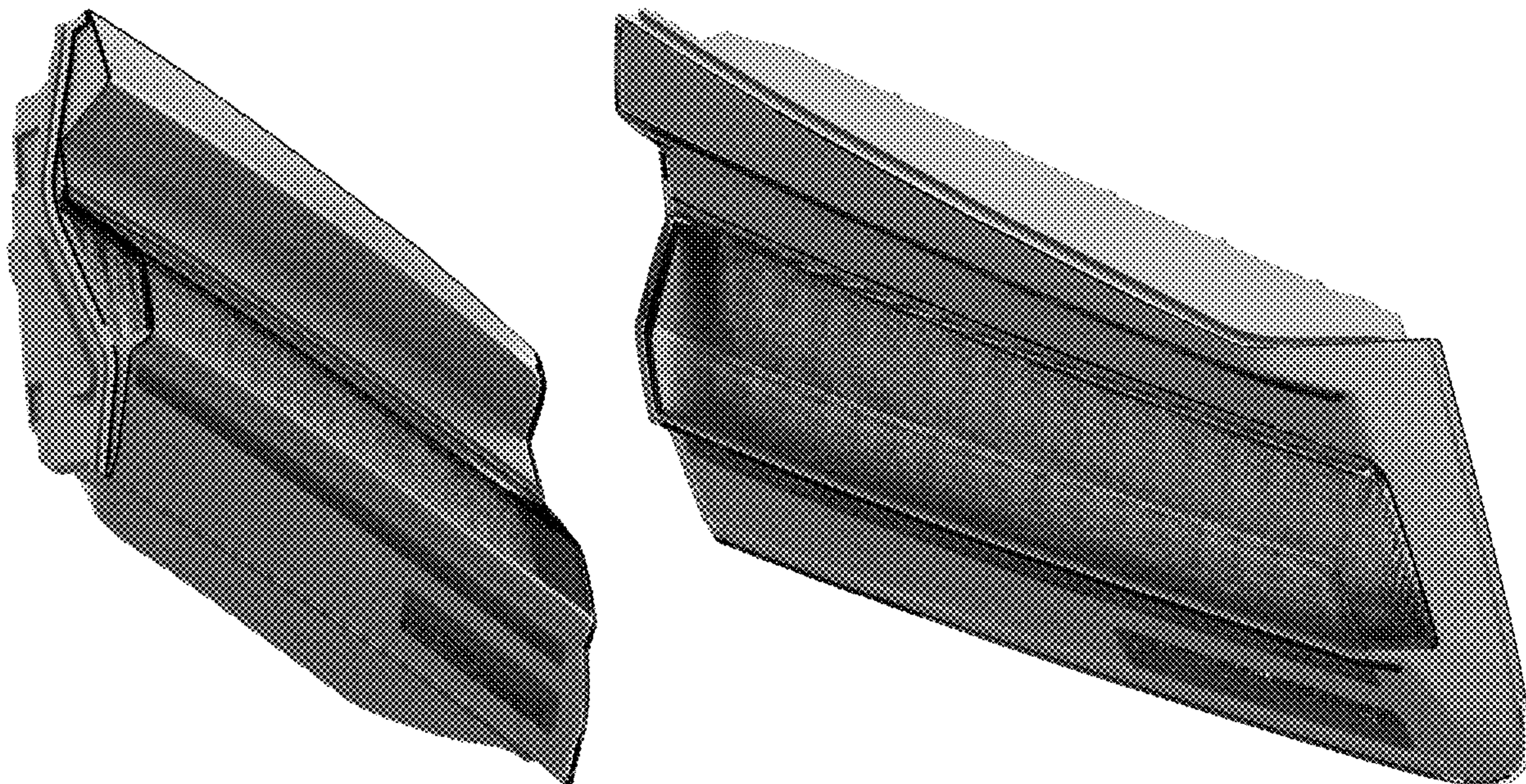




Fig. 1



Fig. 2



Fig. 3

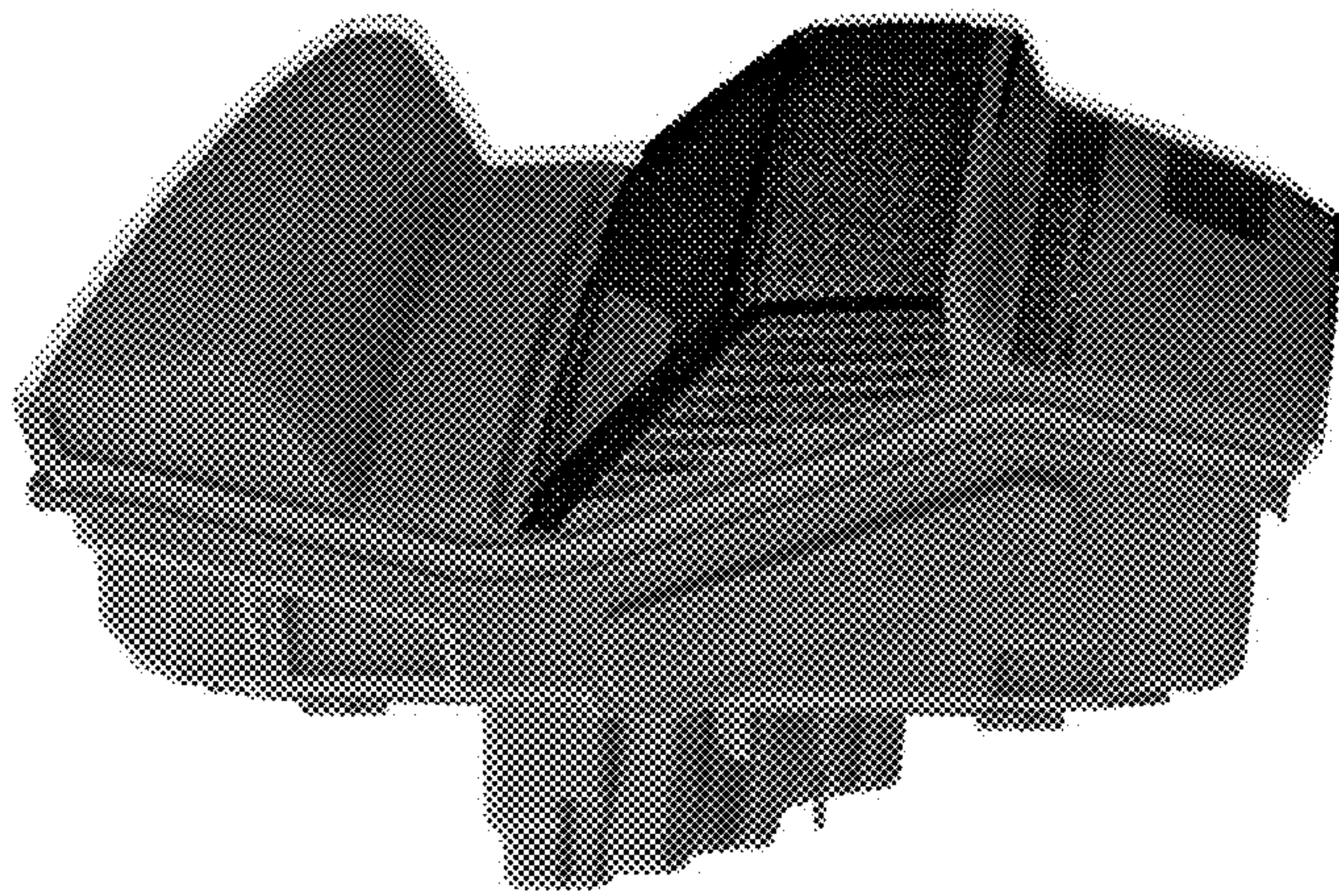


Fig. 4

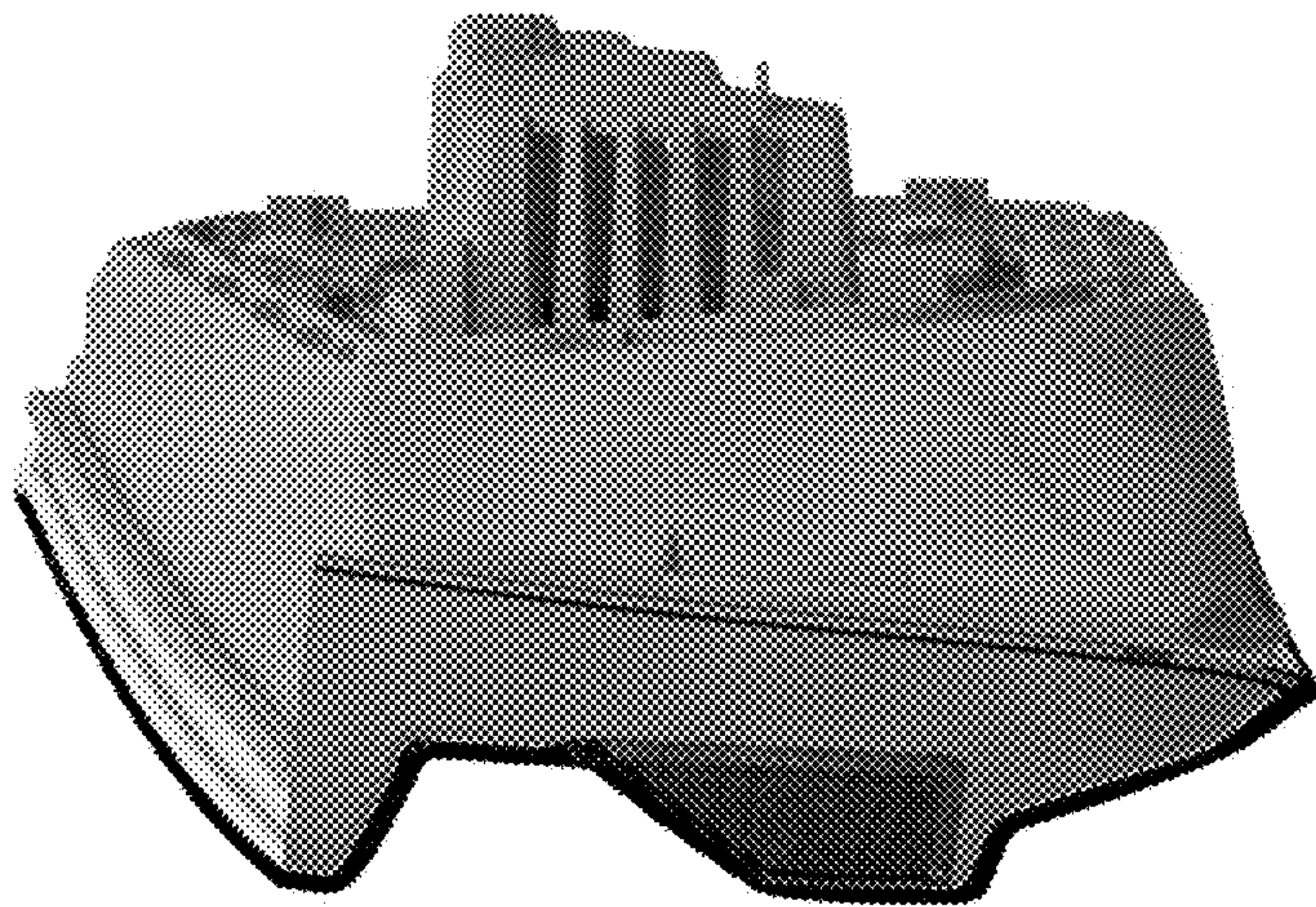


Fig. 5

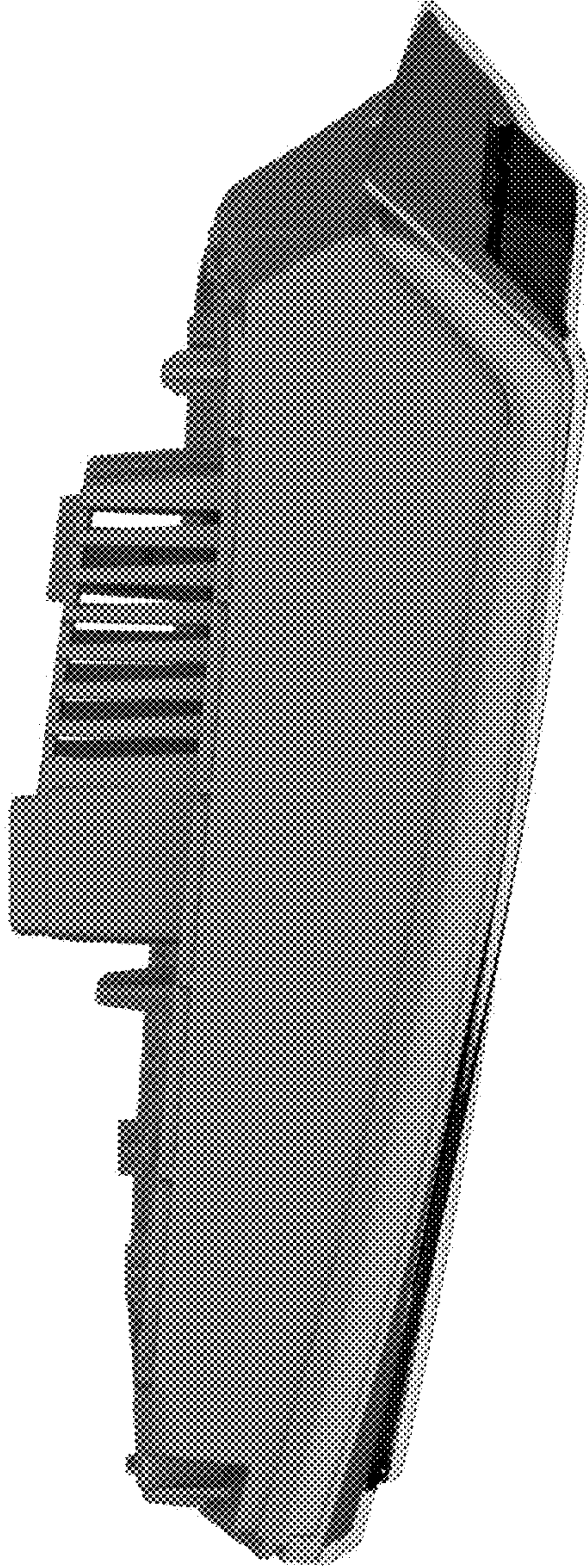


Fig. 6

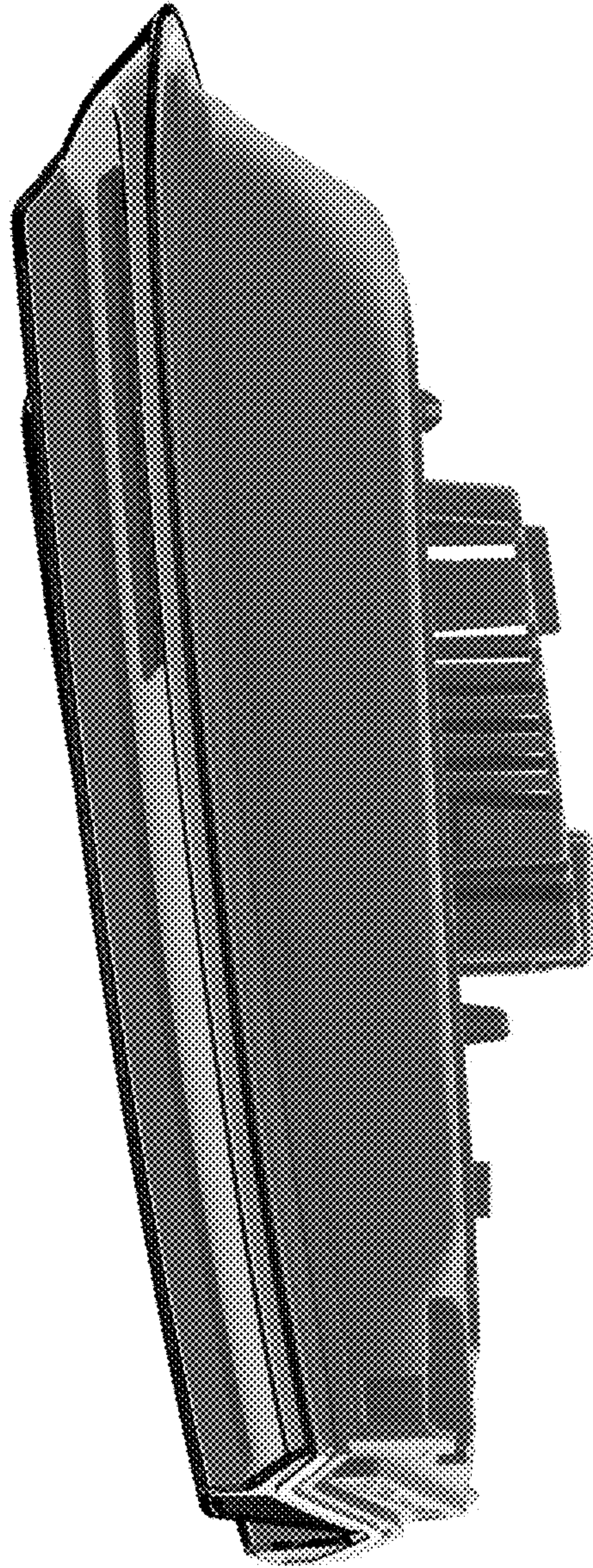


Fig. 7

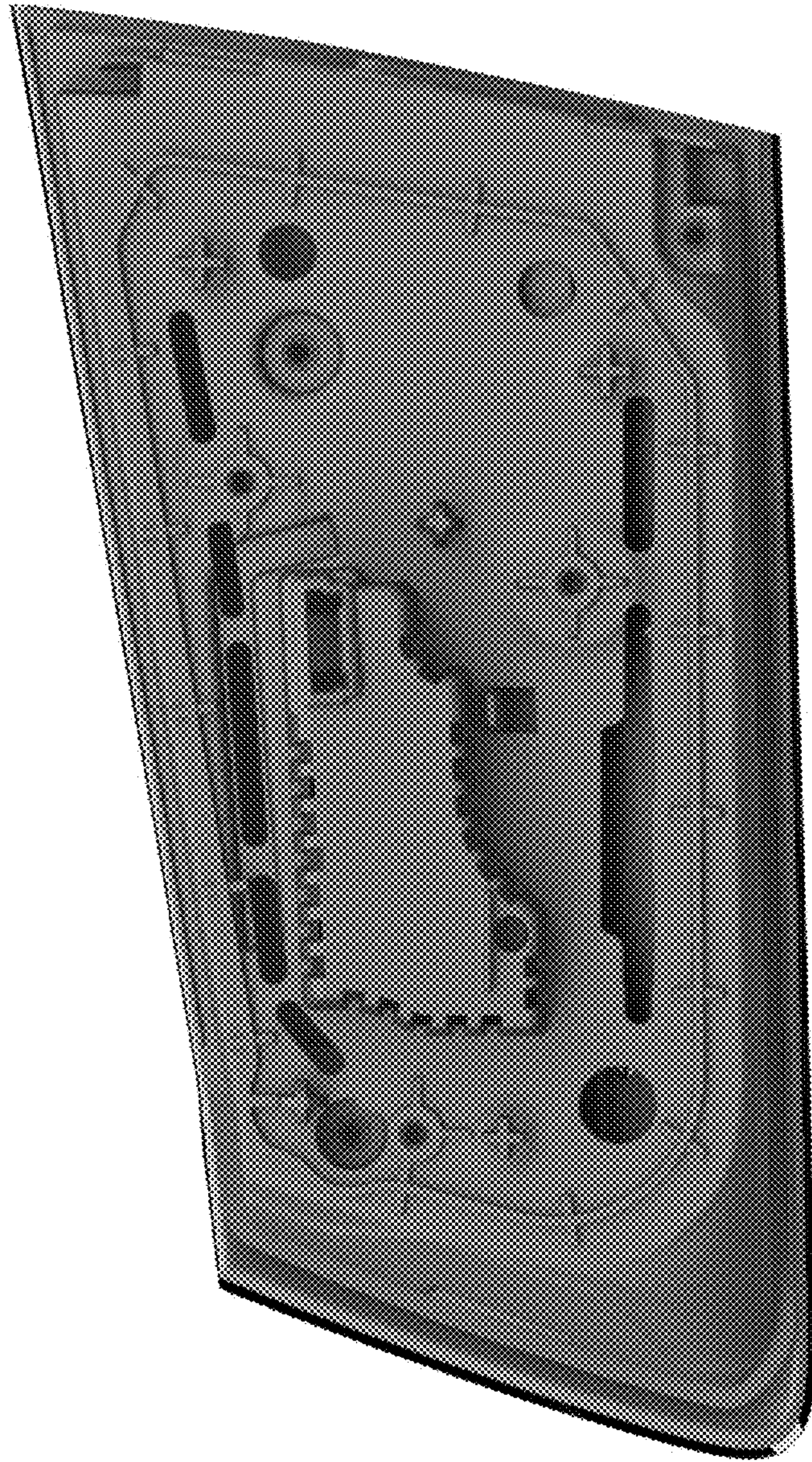


Fig. 8