



US00D934463S

(12) **United States Design Patent** (10) **Patent No.:** **US D934,463 S**  
**Redlich** (45) **Date of Patent:** **\*\* Oct. 26, 2021**

(54) **HEADLIGHT FOR A MOTOR VEHICLE**

(71) Applicant: **Dr. Ing. h.c. F. Porsche Aktiengesellschaft**, Stuttgart (DE)

(72) Inventor: **Heinz Redlich**, Ludwigsburg (DE)

(73) Assignee: **Dr. Ing. h.c. F. Porsche Aktiengesellschaft**

(\*\*) Term: **15 Years**

(21) Appl. No.: **29/732,840**

(22) Filed: **Apr. 28, 2020**

(30) **Foreign Application Priority Data**

Oct. 28, 2019 (DE) ..... 402019101158.7

(51) **LOC (13) Cl.** ..... **26-06**

(52) **U.S. Cl.**  
USPC ..... **D26/28**

(58) **Field of Classification Search**  
USPC ..... D26/28-36, 139  
CPC ..... F21S 48/00; F21S 48/10; F21S 48/115;  
F21S 48/225; F21S 48/1233; F21S 48/1266; F21S 48/1388; F21S 48/2268;  
F21V 21/04; F21V 29/004; B60Q 9/13;  
B60Q 9/135; B60Q 9/1375  
See application file for complete search history.

(56) **References Cited**

**U.S. PATENT DOCUMENTS**

D646,410 S \* 10/2011 Eda ..... D26/28  
D673,310 S 12/2012 Varga

D683,487 S 5/2013 Scheinhütte et al.  
D683,488 S 5/2013 Scheinhütte et al.  
D691,302 S \* 10/2013 Lai ..... D26/28  
D703,349 S 4/2014 Borkert  
D706,467 S 6/2014 Robinson  
D709,217 S \* 7/2014 Kim ..... D26/28  
D752,782 S 3/2016 Moessner  
D837,421 S 1/2019 Yamashita  
D842,510 S \* 3/2019 Kang ..... D26/28  
D849,287 S 5/2019 Redlich  
D849,288 S 5/2019 Redlich  
D870,932 S \* 12/2019 Lin ..... D26/28  
D887,045 S \* 6/2020 Lin ..... D26/28  
D890,969 S \* 7/2020 Wu ..... D26/28  
D893,776 S \* 8/2020 Lin ..... D26/28

\* cited by examiner

*Primary Examiner* — Marcus A Jackson

(74) *Attorney, Agent, or Firm* — RatnerPrestia

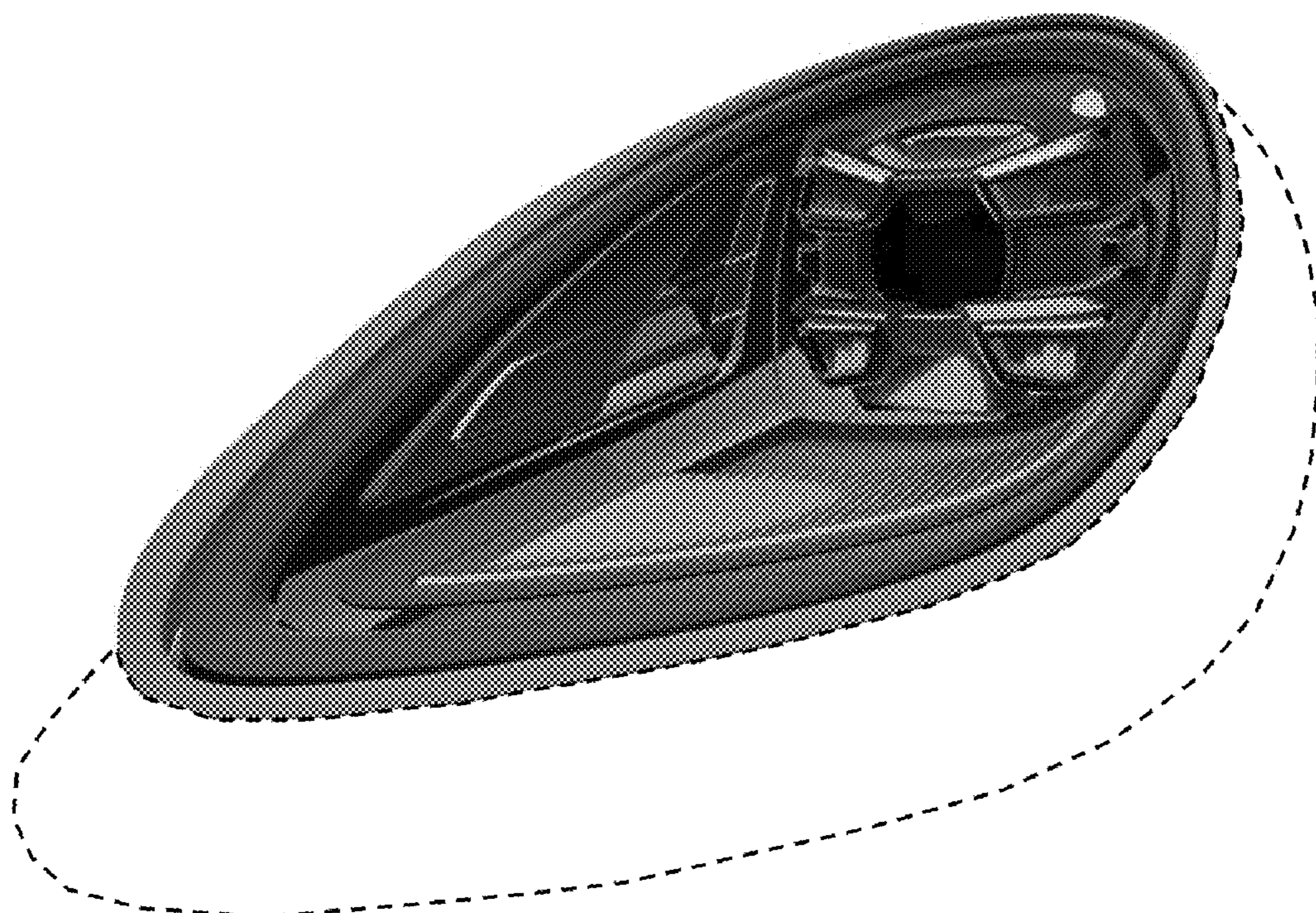
(57) **CLAIM**

The ornamental design for a headlight for a motor vehicle, as shown and described.

**DESCRIPTION**

FIG. 1 is an isometric view of a headlight for a motor vehicle;  
FIG. 2 is another front isometric view thereof;  
FIG. 3 is a front elevation view thereof;  
FIG. 4 is an elevation view thereof from the left side; and,  
FIG. 5 is a top plan view thereof.  
The portions of the headlight for a motor vehicle shown in broken lines are for illustrative and environmental purposes and form no part of the claimed design.

**1 Claim, 5 Drawing Sheets**



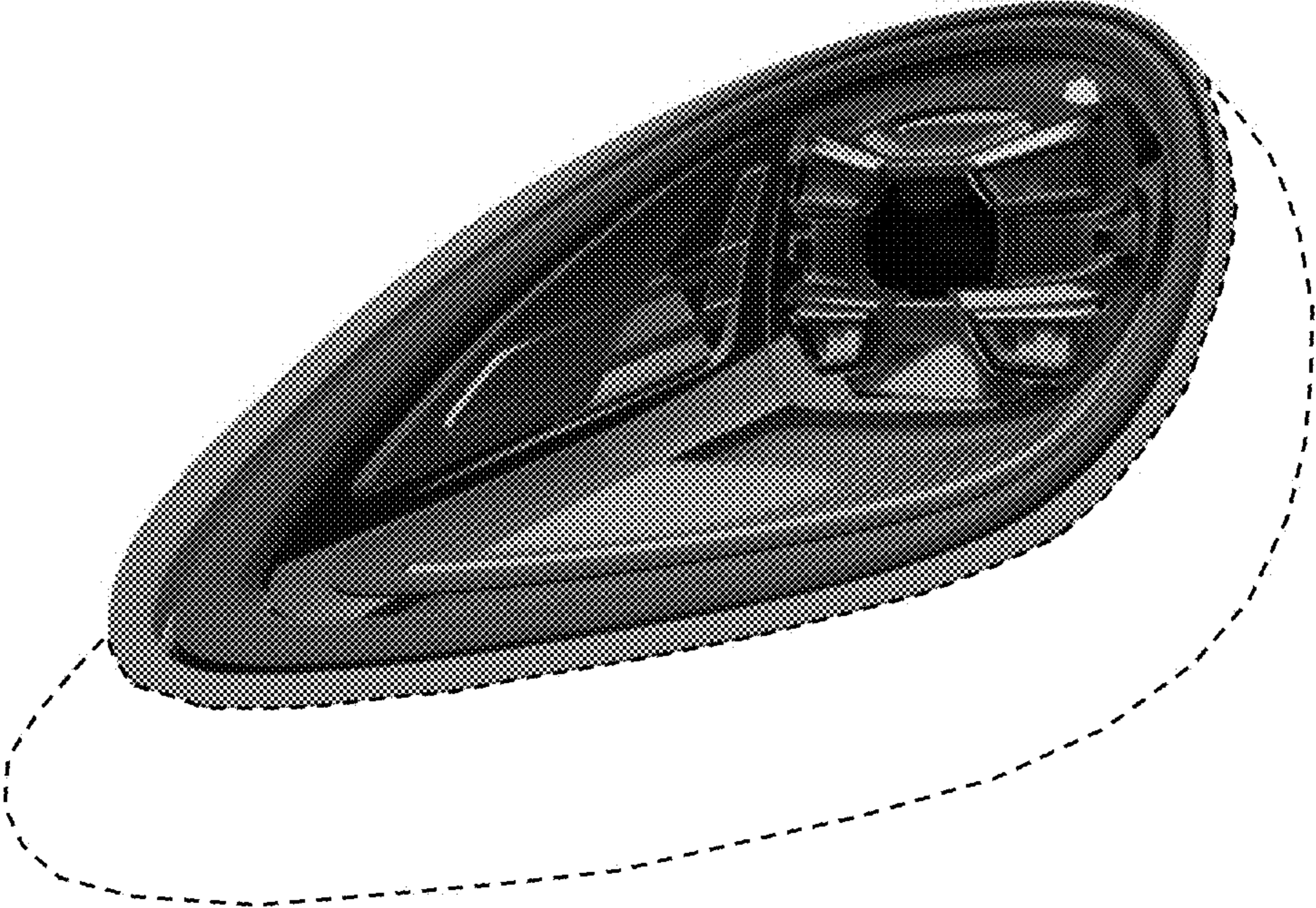


FIG. 1

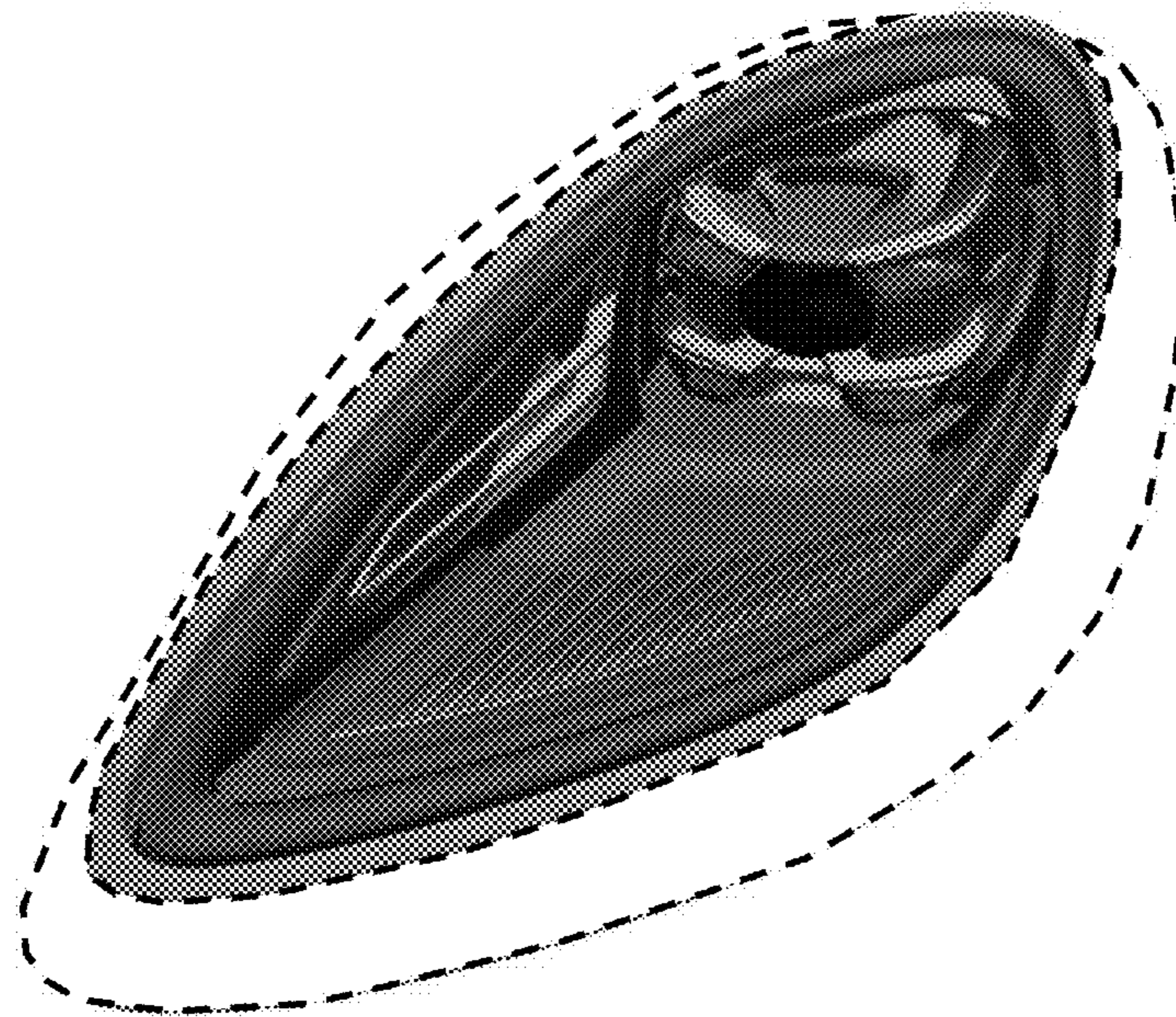


FIG. 2

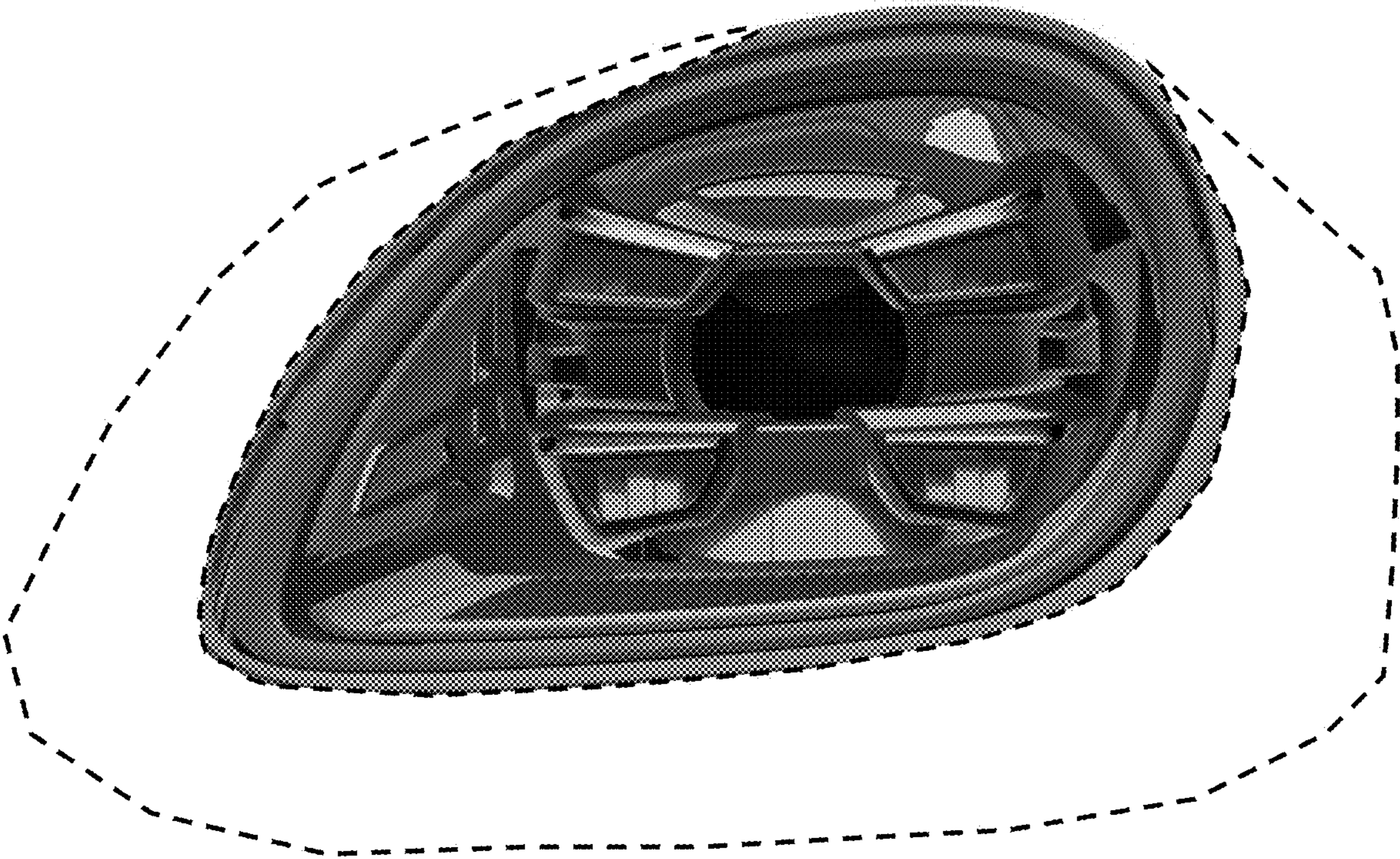


FIG. 3

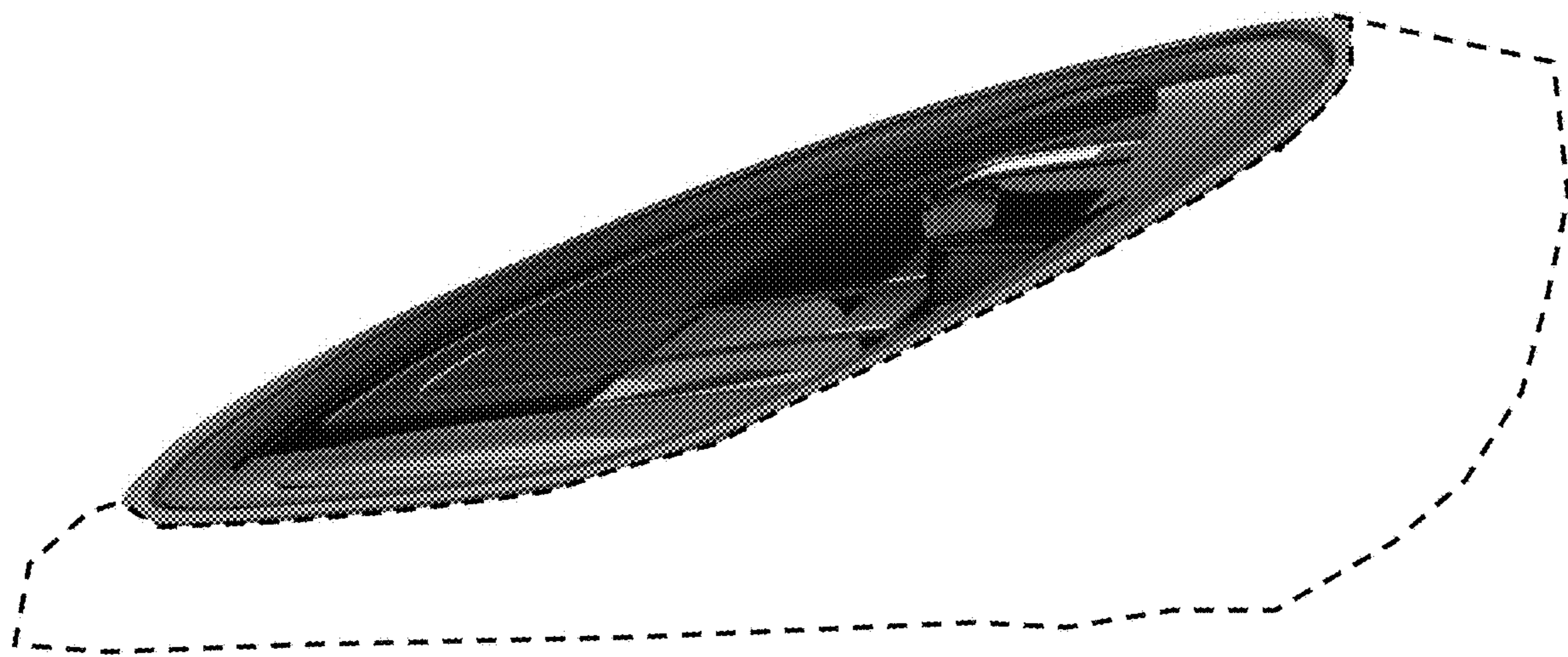


FIG. 4

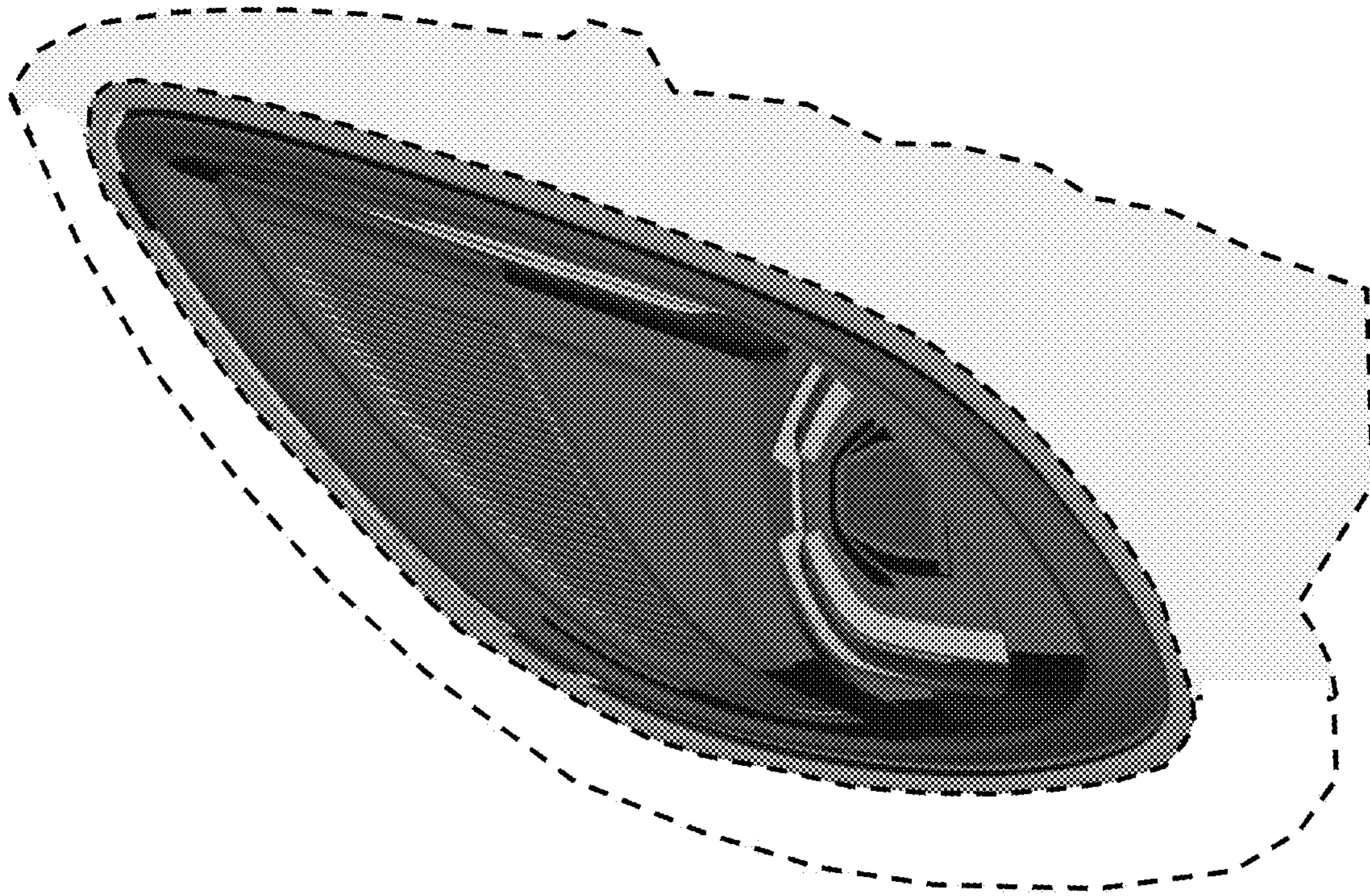


FIG. 5