



US00D934462S

(12) **United States Design Patent** (10) **Patent No.:** **US D934,462 S**  
**Hirata** (45) **Date of Patent:** **\*\* Oct. 26, 2021**

(54) **FRONT COMBINATION LAMP FOR  
AUTOMOBILE**

(71) Applicant: **Nissan Motor Co., Ltd.**, Kanagawa  
(JP)

(72) Inventor: **Yusuke Hirata**, Kanagawa (JP)

(73) Assignee: **Nissan Motor Co., Ltd.**, Yokohama  
(JP)

(\*\*) Term: **15 Years**

(21) Appl. No.: **29/727,632**

(22) Filed: **Mar. 12, 2020**

(30) **Foreign Application Priority Data**

Sep. 13, 2019 (JP) ..... 2019-020638

(51) **LOC (13) Cl.** ..... **26-06**

(52) **U.S. Cl.**  
USPC ..... **D26/28**

(58) **Field of Classification Search**  
USPC ..... D26/28, 29, 30, 31, 32, 33, 34, 35, 36,  
D26/44  
CPC ..... F21S 48/00; F21S 48/10; F21S 48/115;  
F21S 48/225; F21S 48/1233; F21S  
48/1266; F21S 48/1388; F21S 48/2268;  
F21V 21/04; F21W 2103/35; F21W 3/40;  
F21W 2102/17; F21W 2102/30; F21W  
2103/00; F21W 2103/55; F21W 2104/00;  
F21W 2107/17; F21W 2107/13  
See application file for complete search history.

(56) **References Cited**

**U.S. PATENT DOCUMENTS**

D848,040 S \* 5/2019 Binder ..... D26/28  
D848,646 S \* 5/2019 Hilton ..... D26/28

D864,436 S \* 10/2019 Binder ..... D26/28  
D880,739 S \* 4/2020 Thiebaud ..... D26/28  
D890,393 S \* 7/2020 Lee ..... D26/28  
D891,655 S \* 7/2020 Woodhouse ..... D26/28  
D892,366 S \* 8/2020 Lim ..... D26/28

(Continued)

*Primary Examiner* — Angela J Lee

(74) *Attorney, Agent, or Firm* — Global IP Counselors,  
LLP

(57) **CLAIM**

The ornamental design for a front combination lamp for an automobile, as shown and described.

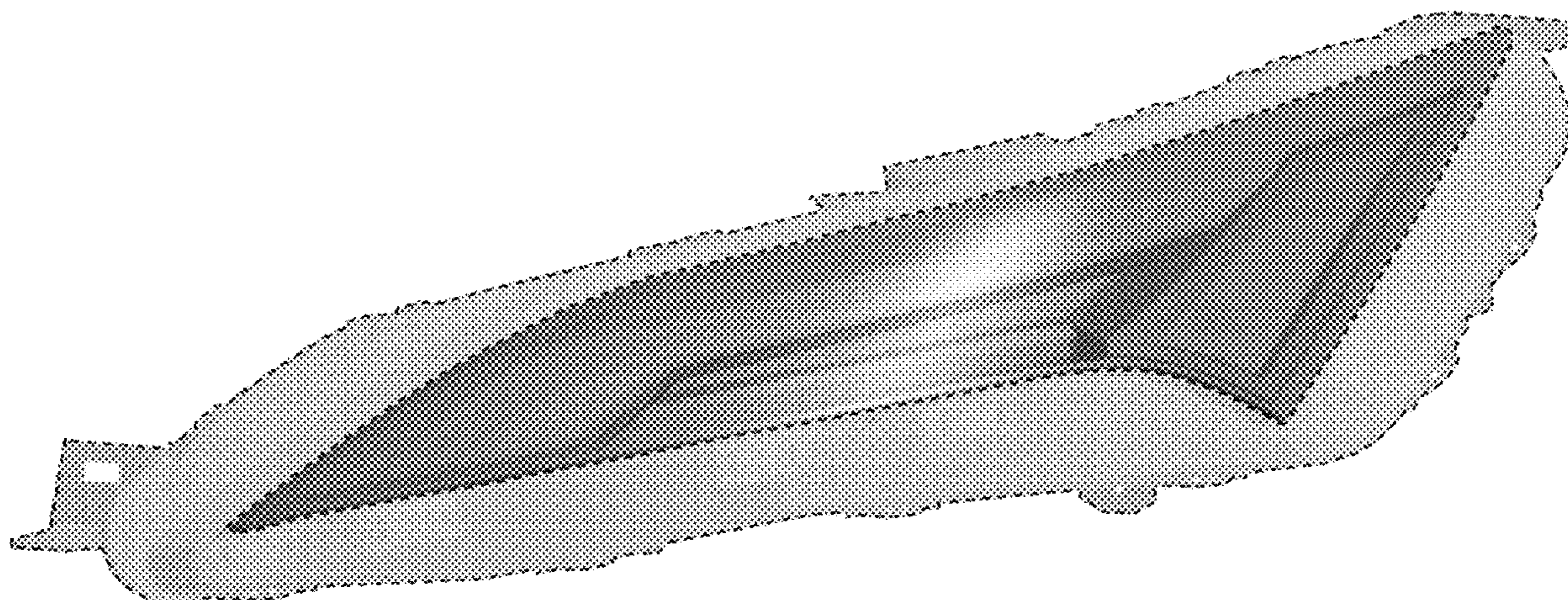
**DESCRIPTION**

FIG. 1 is a front elevational view of a front combination lamp for an automobile in accordance with a first embodiment of my new design;  
FIG. 2 is a top plan view thereof;  
FIG. 3 is a bottom plan view thereof;  
FIG. 4 is a left side elevational view thereof;  
FIG. 5 is a right side elevational view thereof; and,  
FIG. 6 is a front side perspective view thereof.

The front combination lamp is configured to be mounted to an automobile. The mounting structure and support structure of the front combination lamp, shown in broken lines in FIGS. 1 to 6, form no part of the claimed design since the mounting structure and support structure are hidden when the front combination lamp is mounted to the automobile. In addition, the appearance of the rear side structures of the front combination lamp as shown in broken lines in FIGS. 1 to 6 is for purpose of illustrating the boundaries of the exterior surface of the front combination lamp, and forms no part of the claimed design. The front combination lamp has a front lens that is transparent such that features behind the lens are at least partially visible as illustrated.

A second embodiment of my new design includes the mirror image of the front combination lamp shown in FIGS. 1 to 6.

**1 Claim, 6 Drawing Sheets**



(56)

**References Cited**

U.S. PATENT DOCUMENTS

D894,446 S	*	8/2020	Allmendinger .....	D26/28
D903,910 S	*	12/2020	Kato .....	D26/28
D905,304 S	*	12/2020	Han .....	D26/28
D908,936 S	*	1/2021	Chan .....	D26/28
D914,254 S	*	3/2021	Kim .....	D26/28
D914,930 S	*	3/2021	Keskin .....	D26/28
D914,932 S	*	3/2021	Choi .....	D26/28

\* cited by examiner

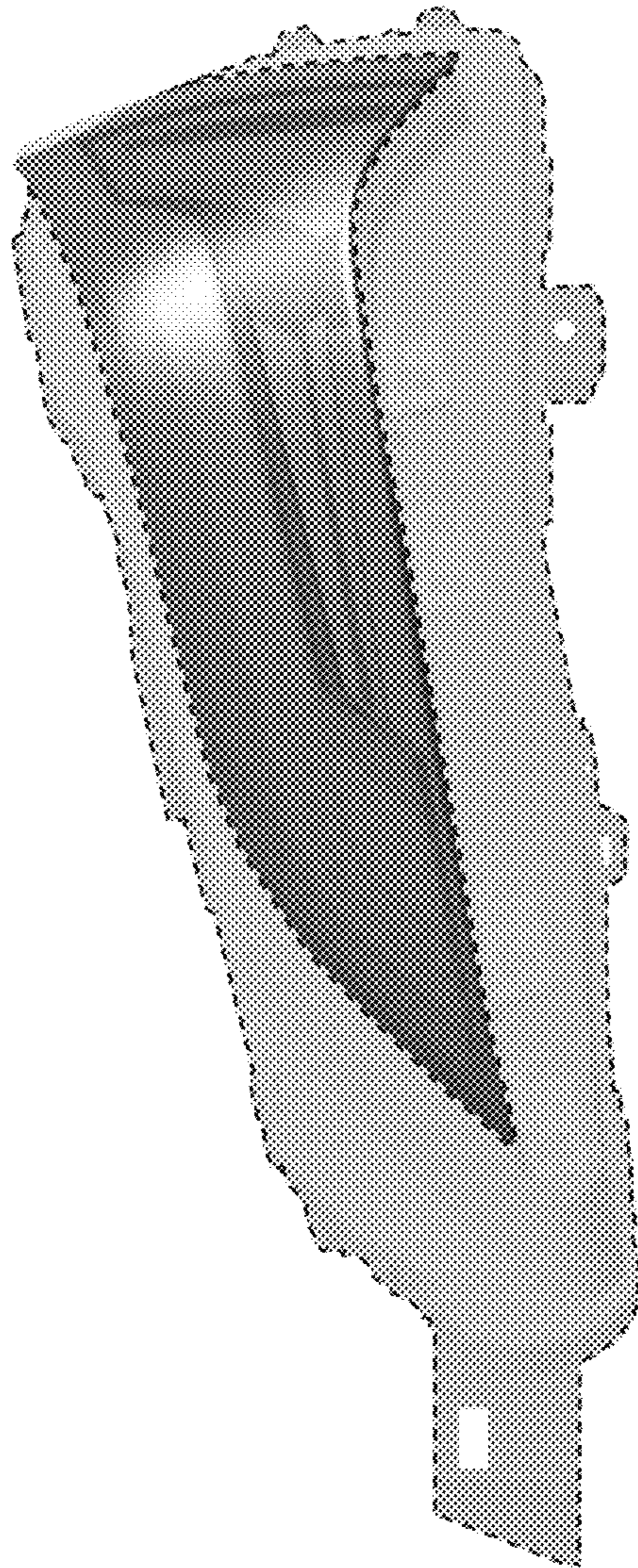


FIG. 1

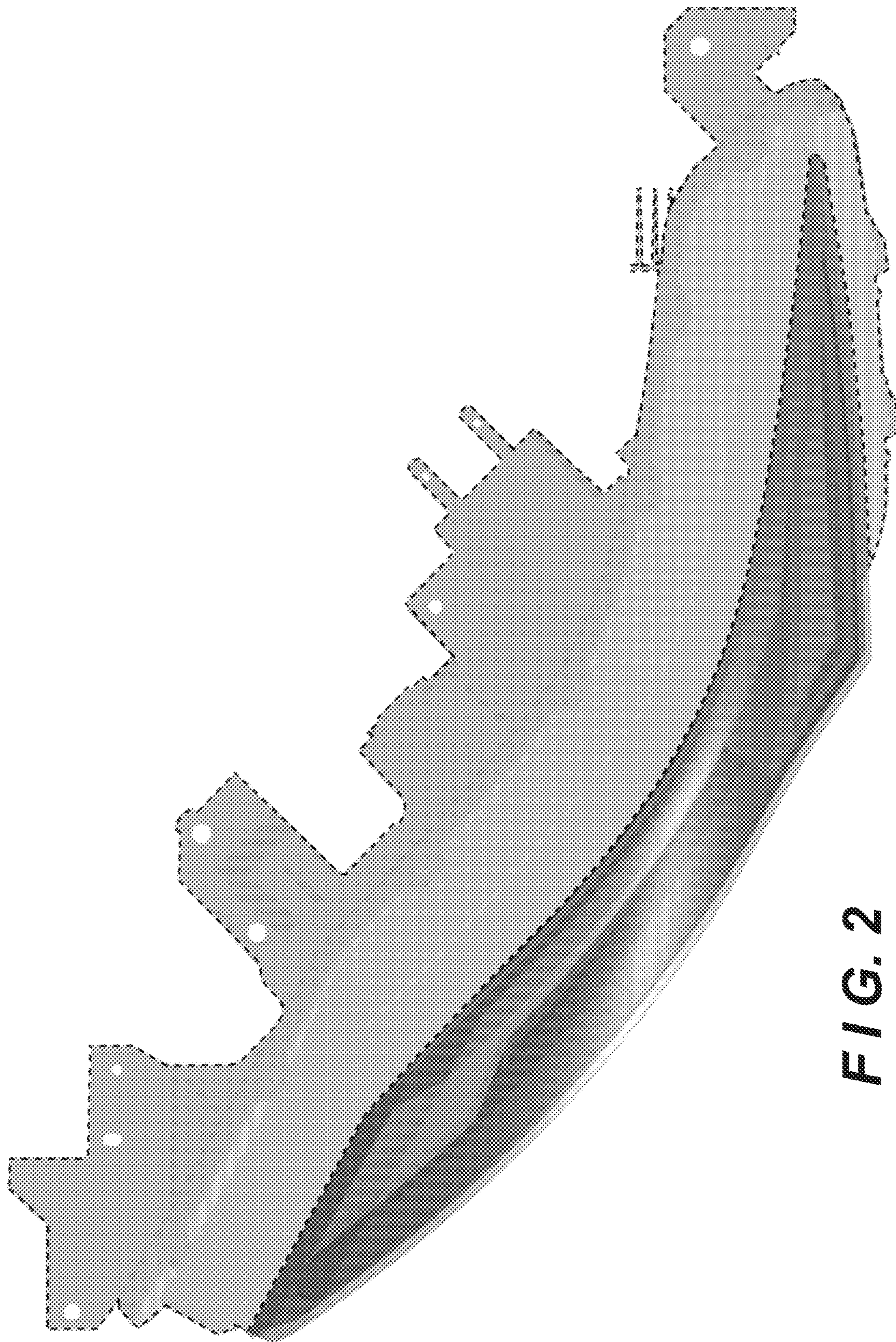


FIG. 2

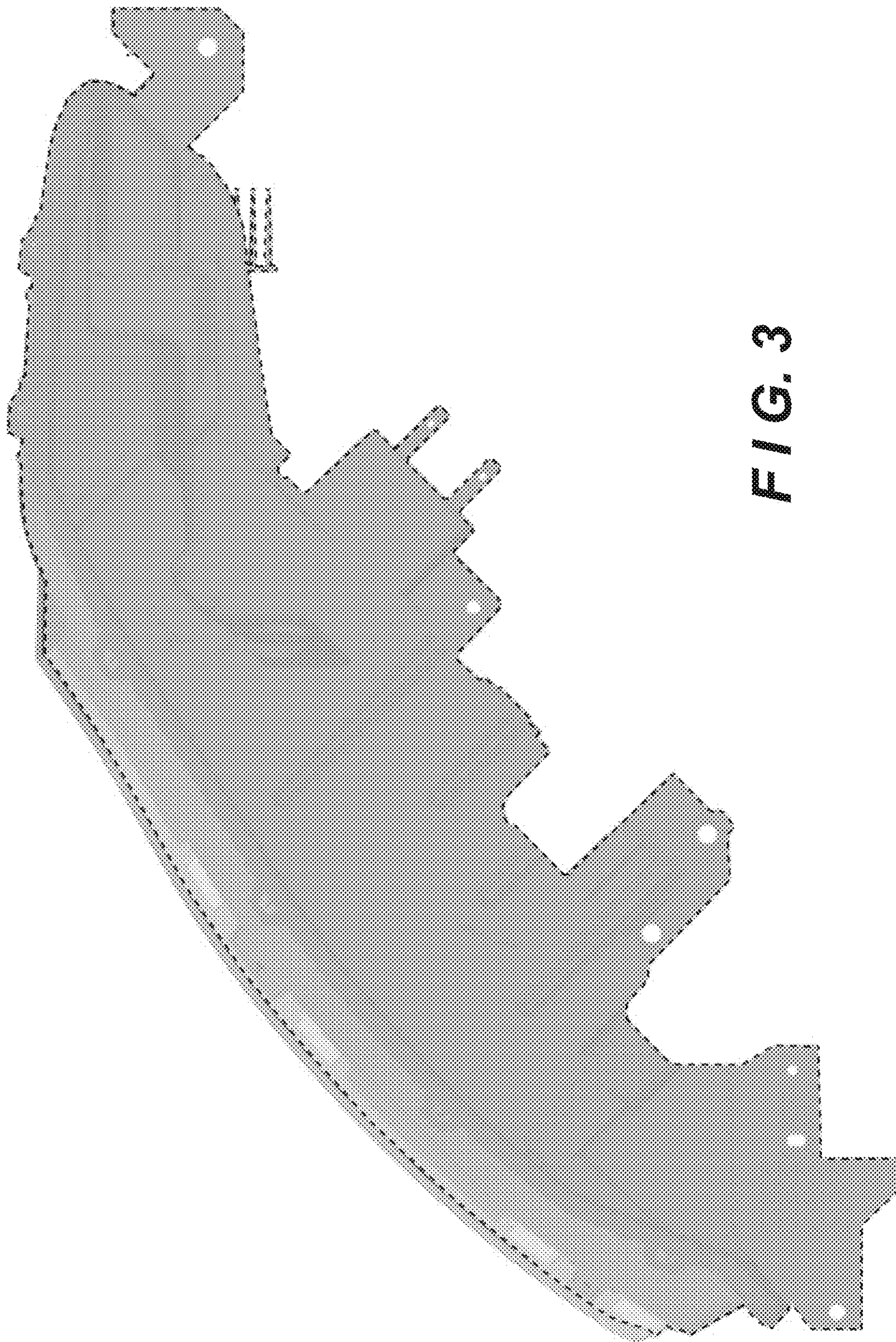
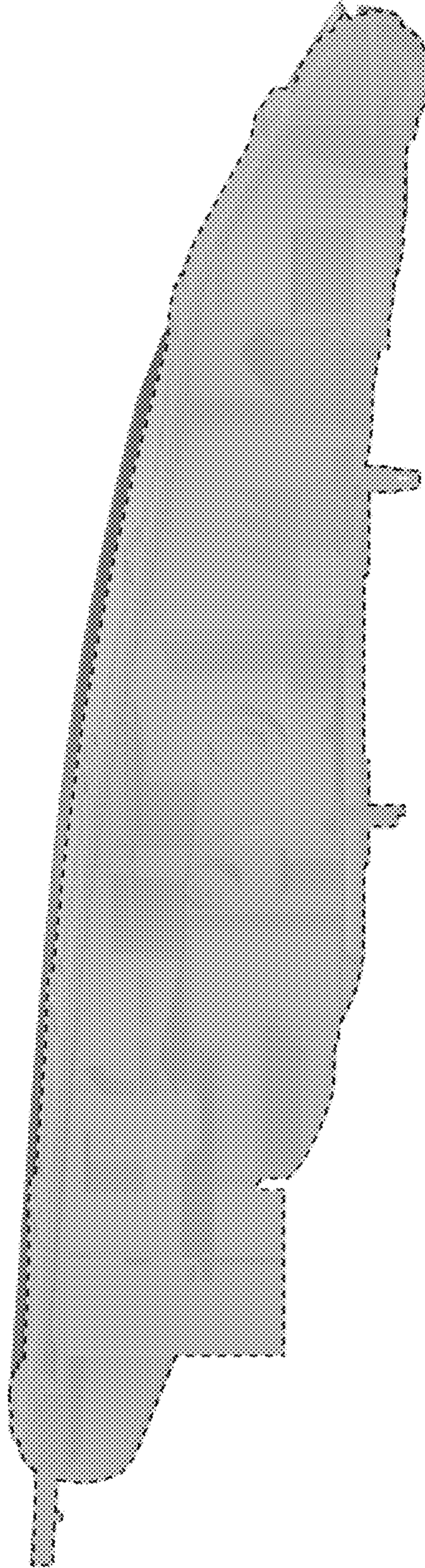


FIG. 3



**FIG. 4**

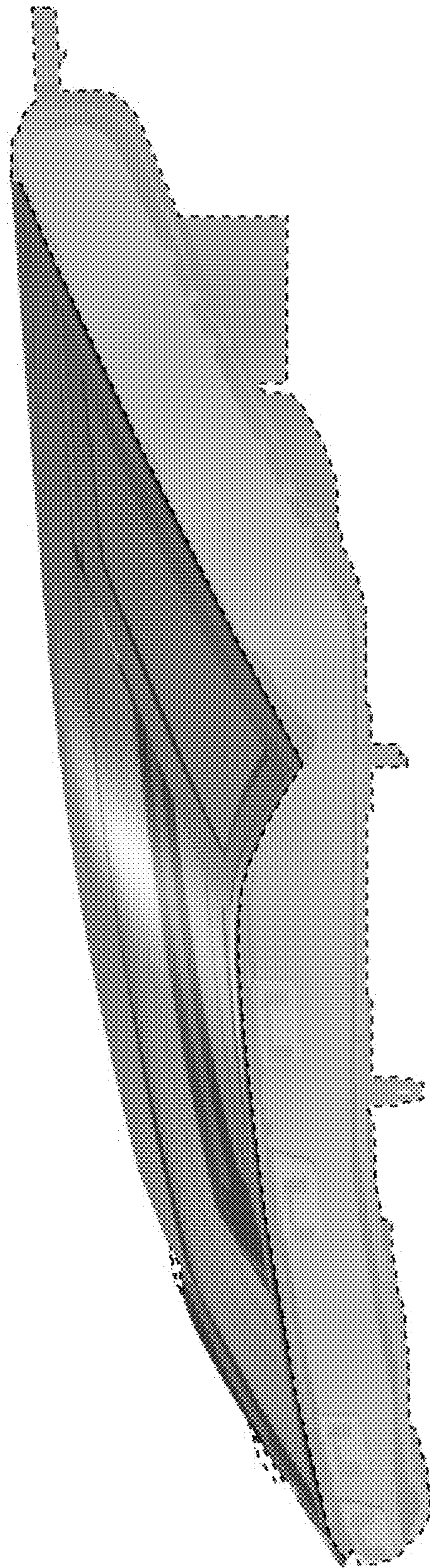


FIG. 5

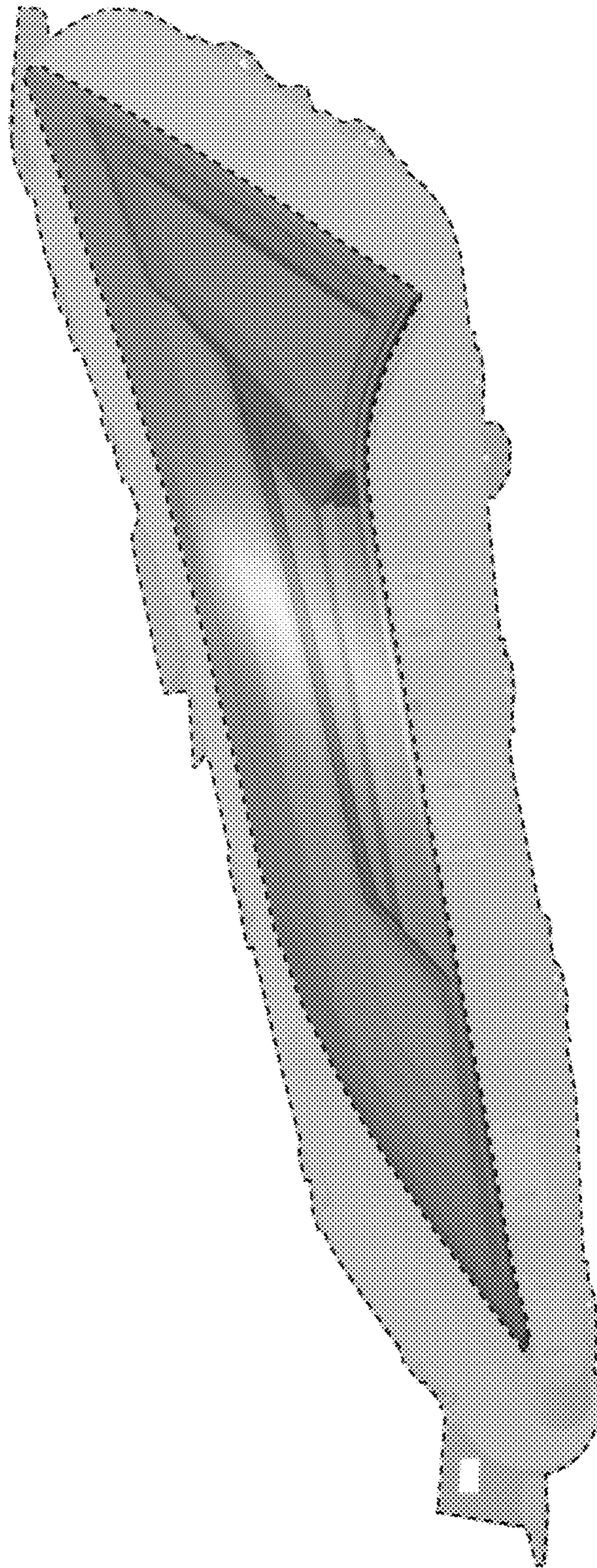


FIG. 6