



US00D934460S

(12) **United States Design Patent**
Hu

(10) **Patent No.:** **US D934,460 S**

(45) **Date of Patent:** **** Oct. 26, 2021**

(54) **AUTOMOBILE LED HEADLIGHT**

(71) Applicant: **Chun Hu**, Guangzhou (CN)

(72) Inventor: **Chun Hu**, Guangzhou (CN)

(**) Term: **15 Years**

(21) Appl. No.: **29/715,927**

(22) Filed: **Dec. 5, 2019**

(51) **LOC (13) Cl.** **26-06**

(52) **U.S. Cl.**
USPC **D26/28**

(58) **Field of Classification Search**

USPC D26/28-36, 139

CPC F21S 48/00; F21S 48/10; F21S 48/115;

F21S 48/225; F21S 48/1233; F21S

48/1266; F21S 48/1388; F21S 48/2268;

F21V 21/04; F21V 29/004; B60Q 9/13;

B60Q 9/135; B60Q 9/1375

See application file for complete search history.

(56) **References Cited**

U.S. PATENT DOCUMENTS

D511,850 S * 11/2005 Huang D26/28

D524,464 S * 7/2006 Branstetter D26/28

D535,044 S * 1/2007 Branstetter D26/28

D742,042 S * 10/2015 Li D26/28

D857,263 S * 8/2019 Goodrich D26/28

D873,453 S * 1/2020 Grabowski D26/28

D874,037 S * 1/2020 Grabowski D26/28

D881,428 S * 4/2020 Ko D26/28

* cited by examiner

Primary Examiner — Marcus A Jackson

(57) **CLAIM**

The ornamental design for automobile LED headlight, as shown and described.

DESCRIPTION

FIG. 1 is a top view of the automobile LED headlight design;

FIG. 2 is a bottom view thereof;

FIG. 3 is a front view thereof;

FIG. 4 is a back view thereof;

FIG. 5 is a right-side view thereof;

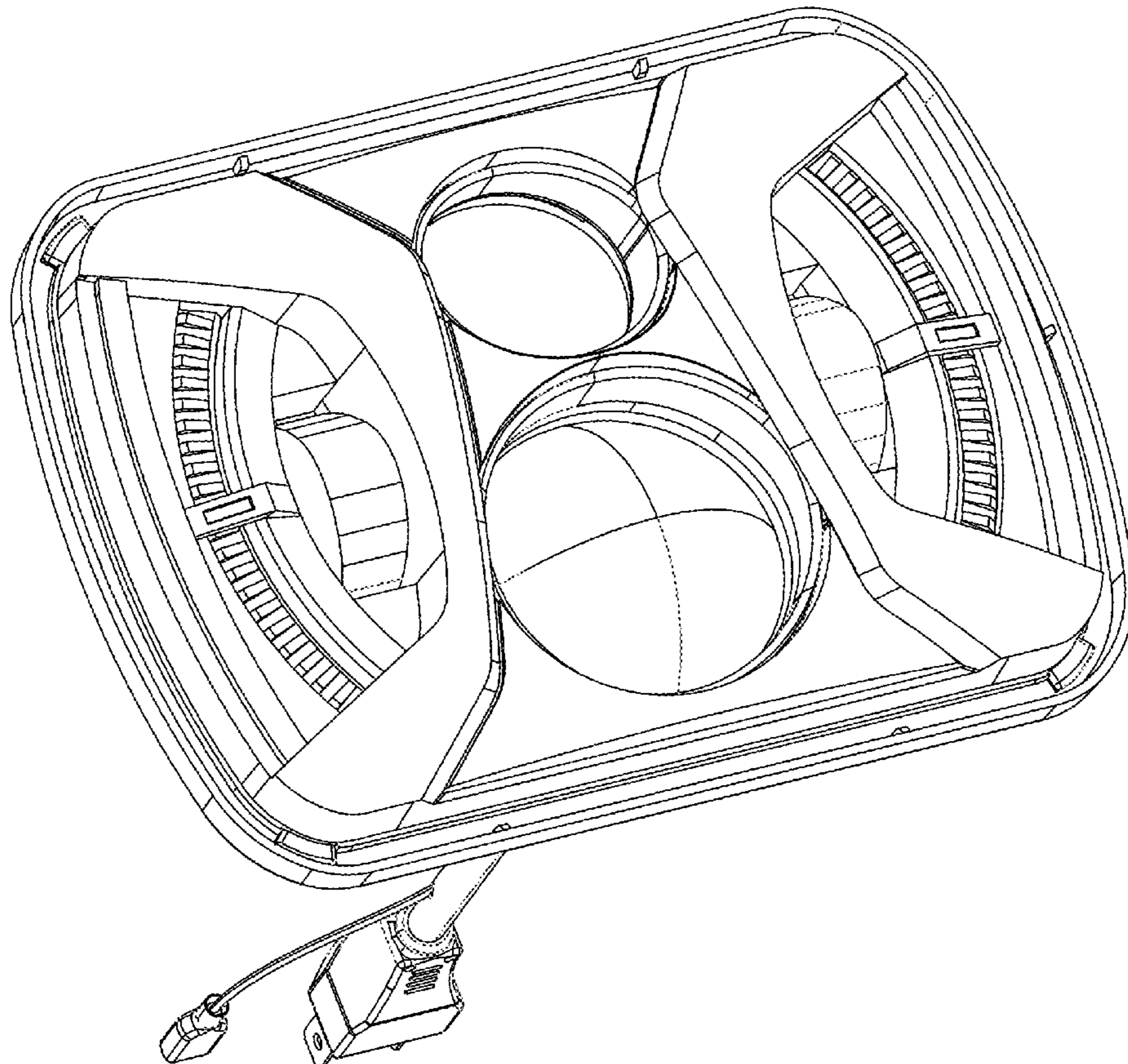
FIG. 6 is a left-side view thereof;

FIG. 7 is a top-side vertical view thereof; and,

FIG. 8 is a bottom-side vertical view thereof.

The automobile LED headlight design is a LED headlight suitable for all automobile models with 7-inch square mounting position. The design is a full LED light source design, with four core optics forming a standard high beam and low beam light system. The left and right curved optics are parking lamps. The design is energy saving, beautiful and reliable, making driving safer.

1 Claim, 8 Drawing Sheets



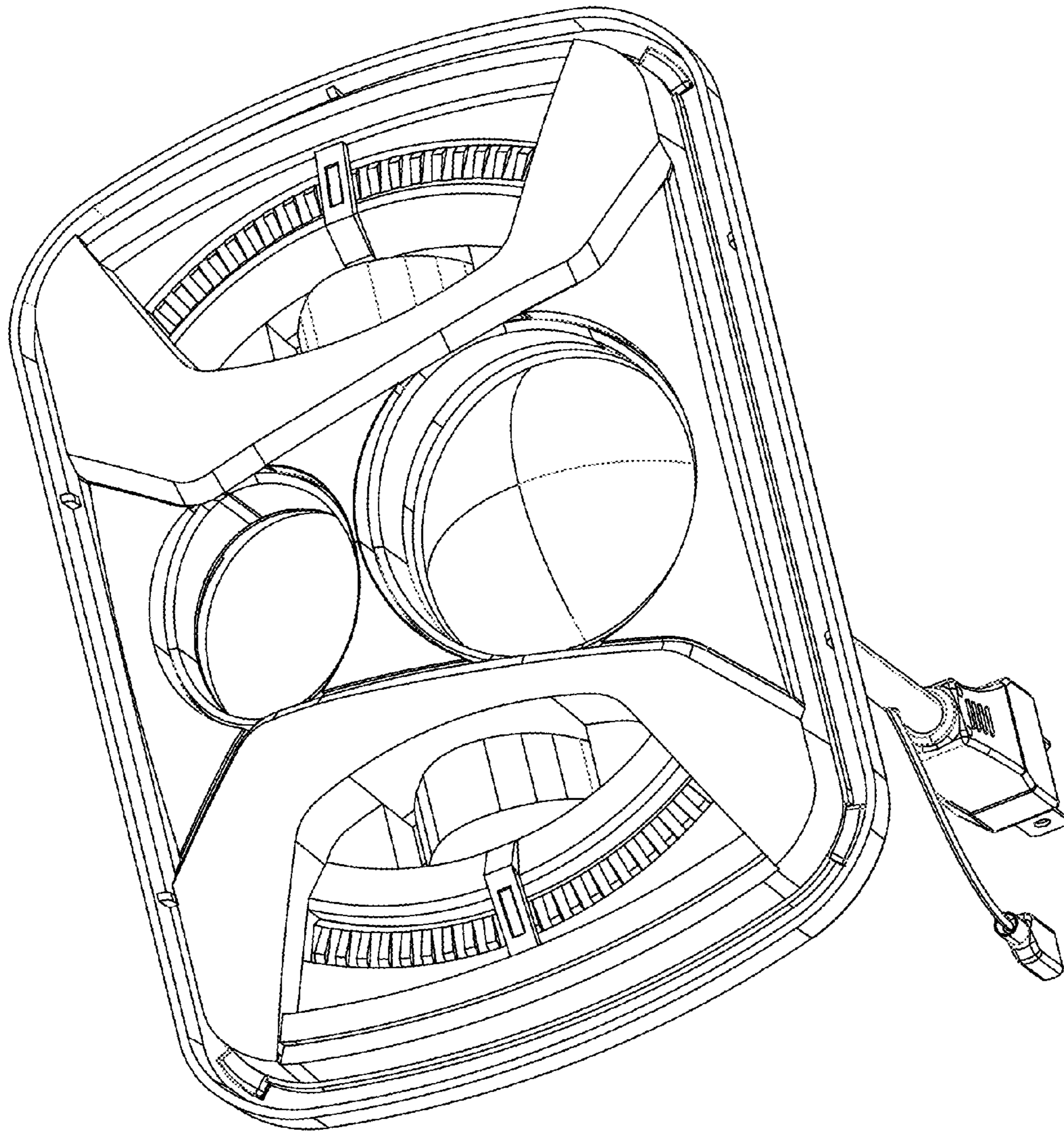


FIG. 1

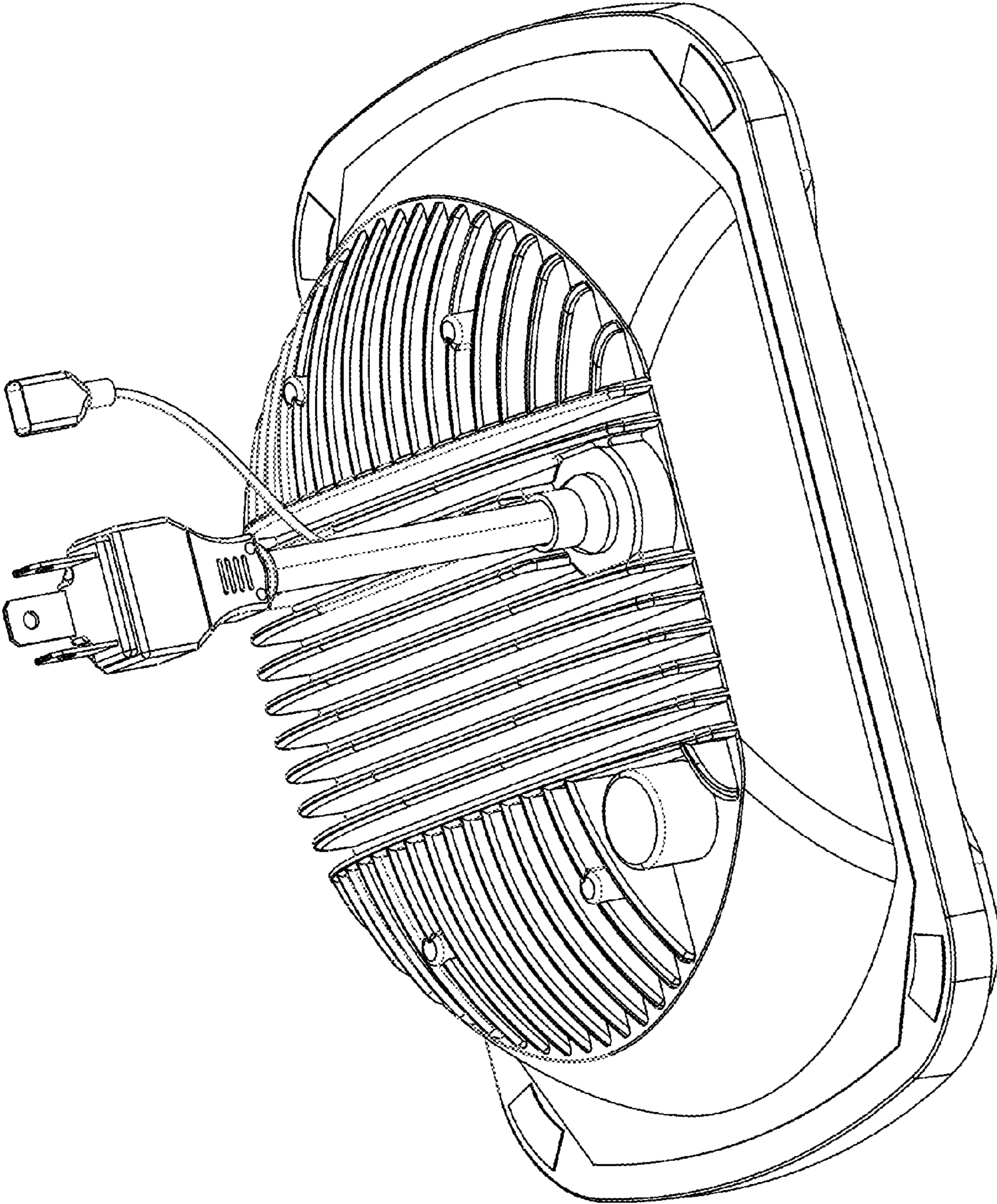


FIG. 2

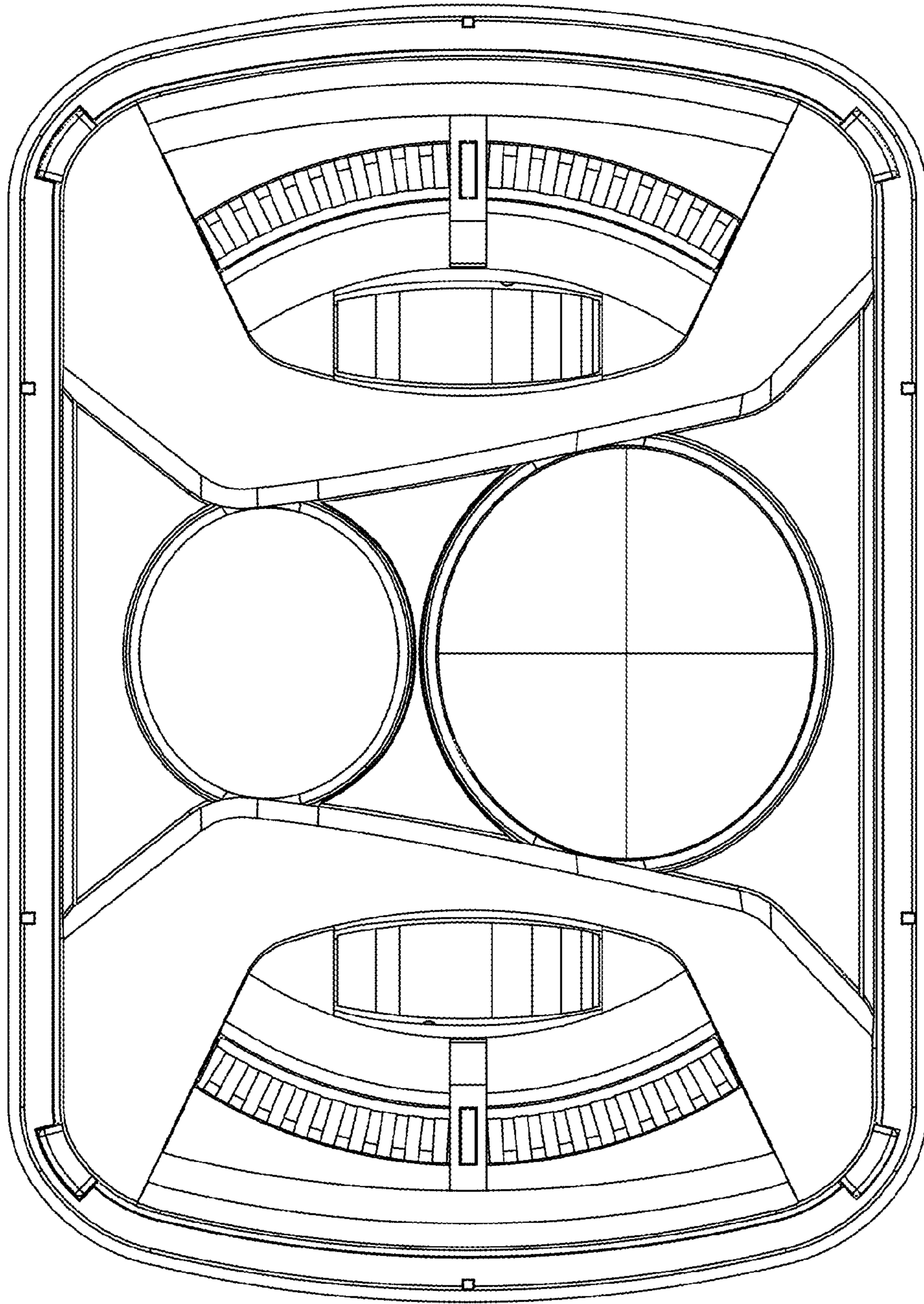


FIG. 3

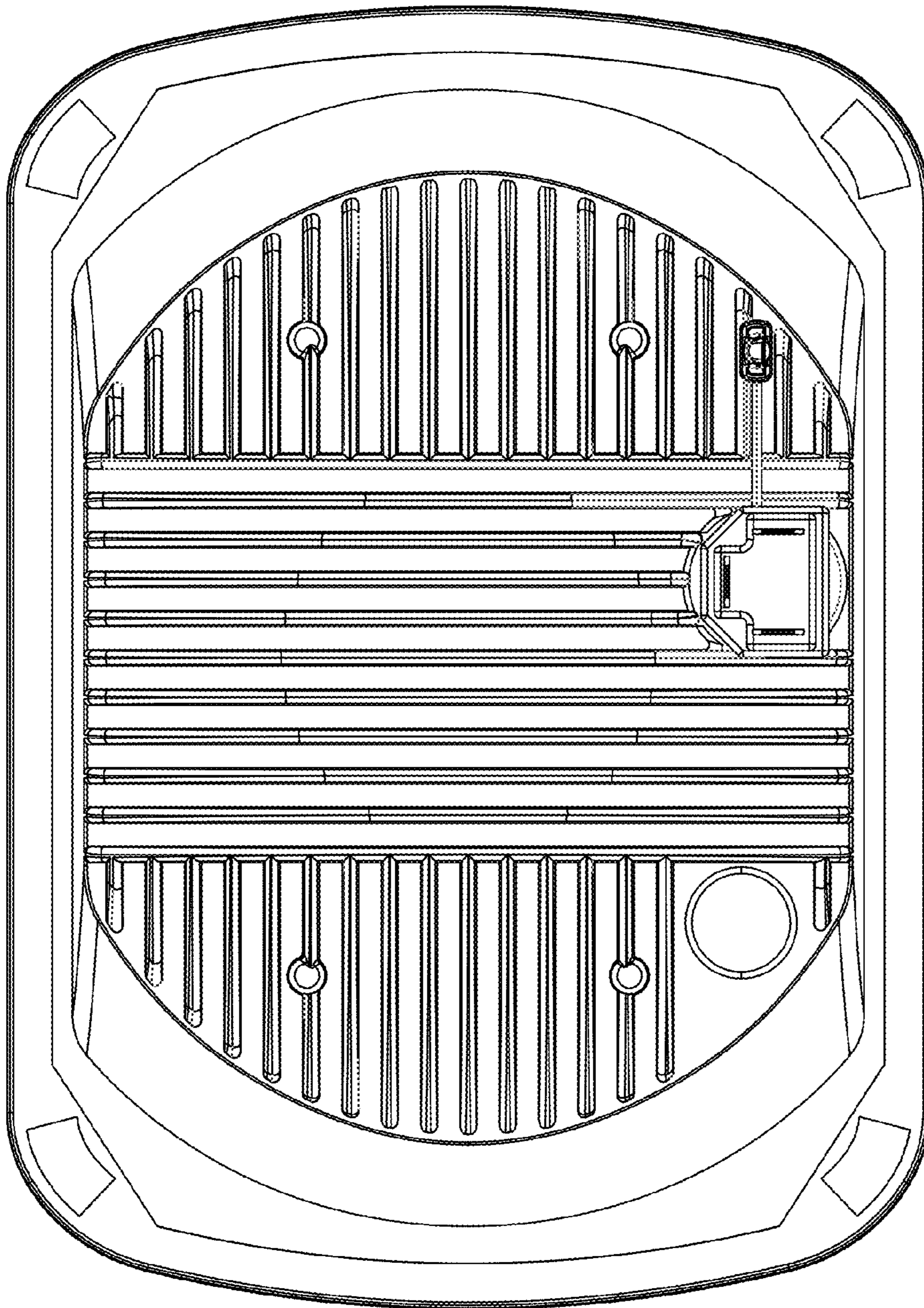


FIG. 4

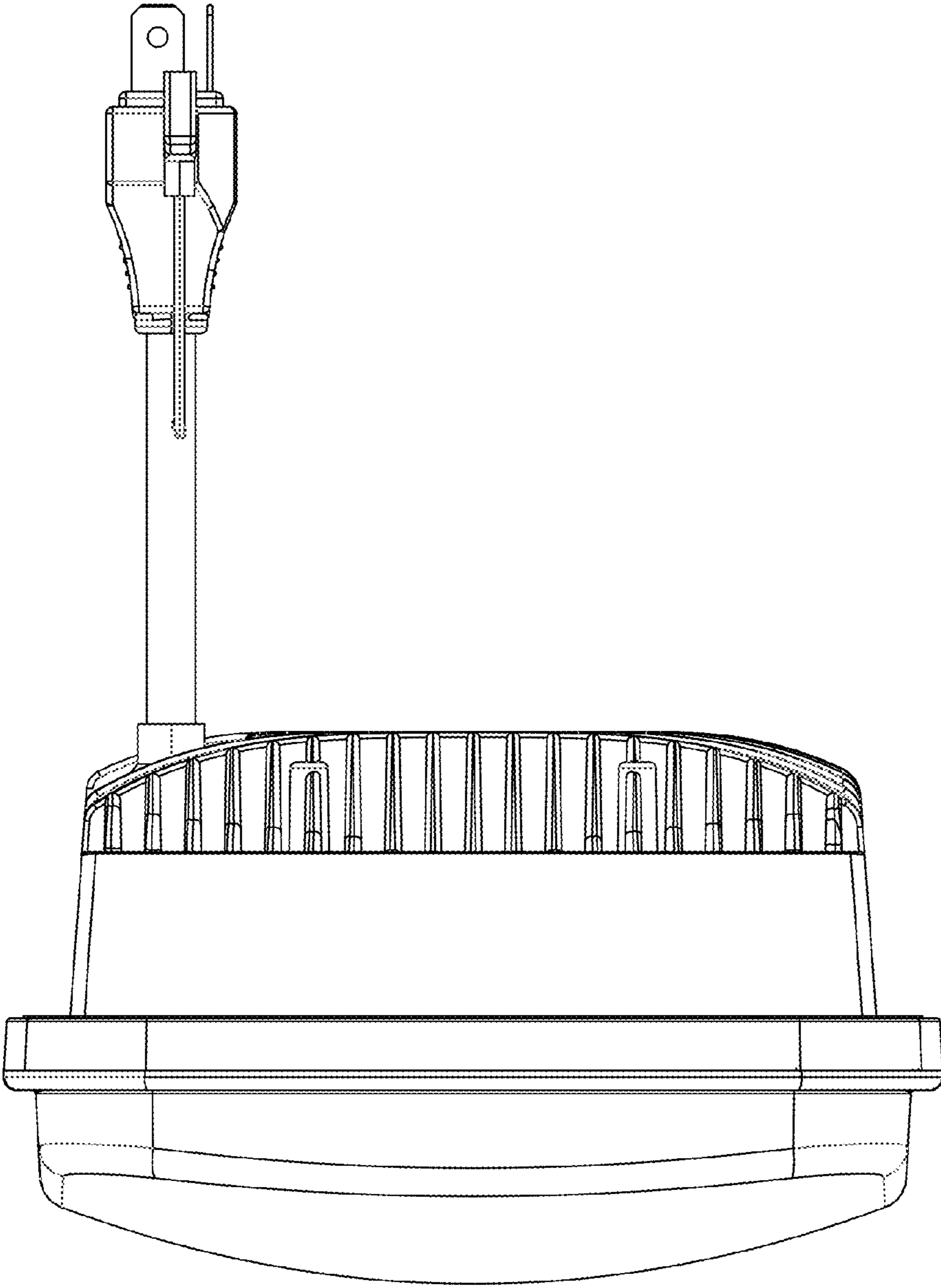


FIG. 5

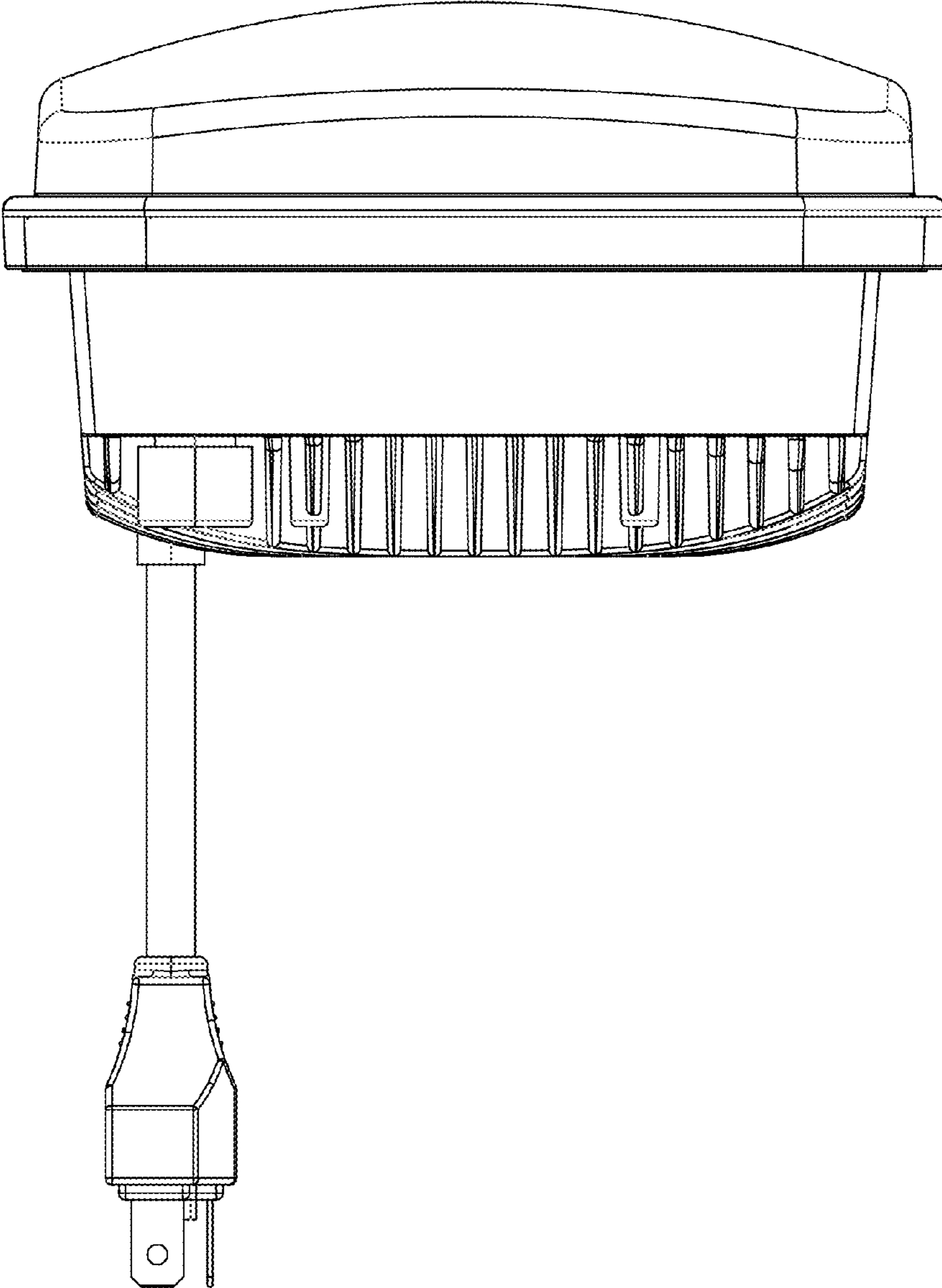
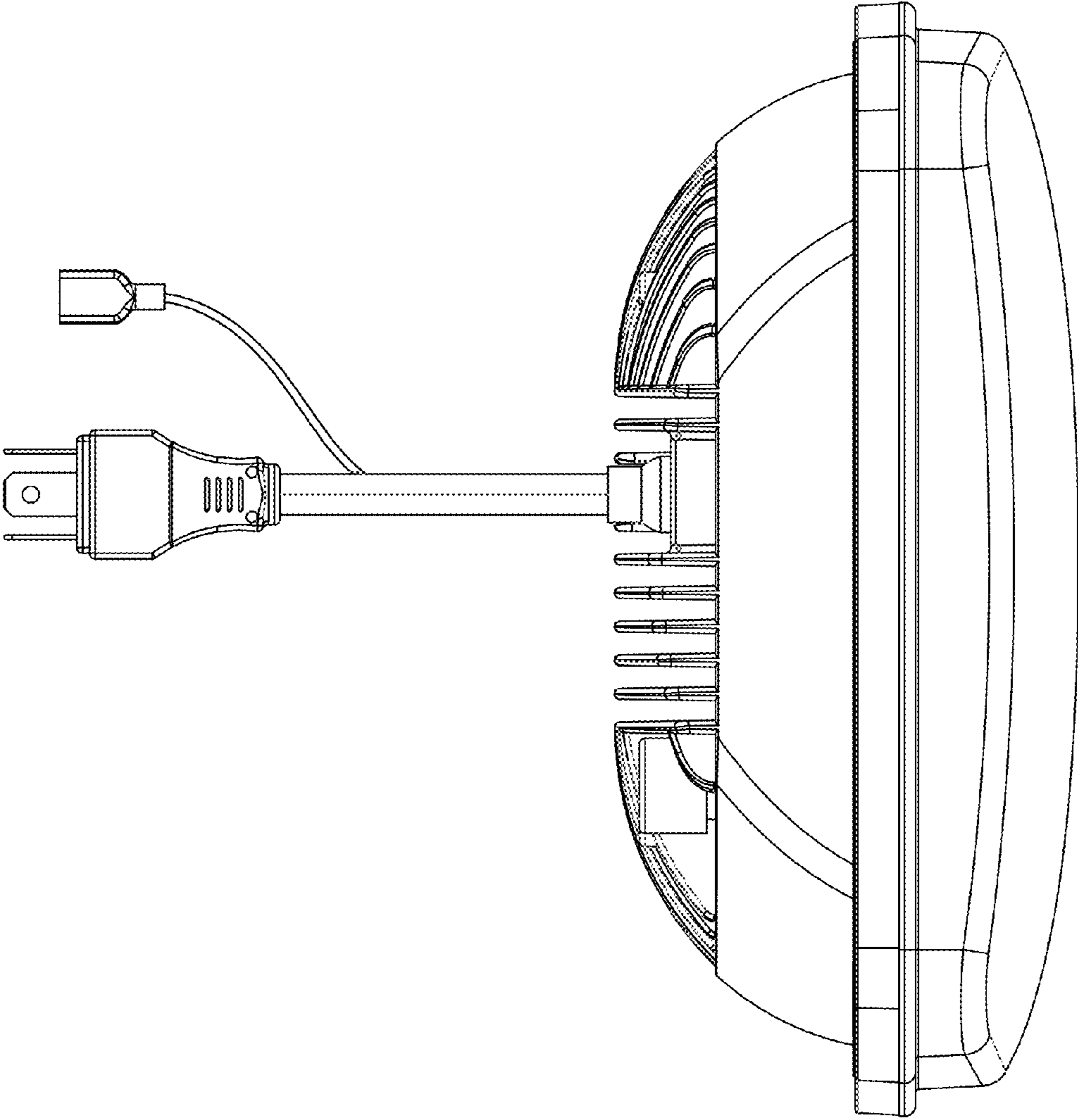
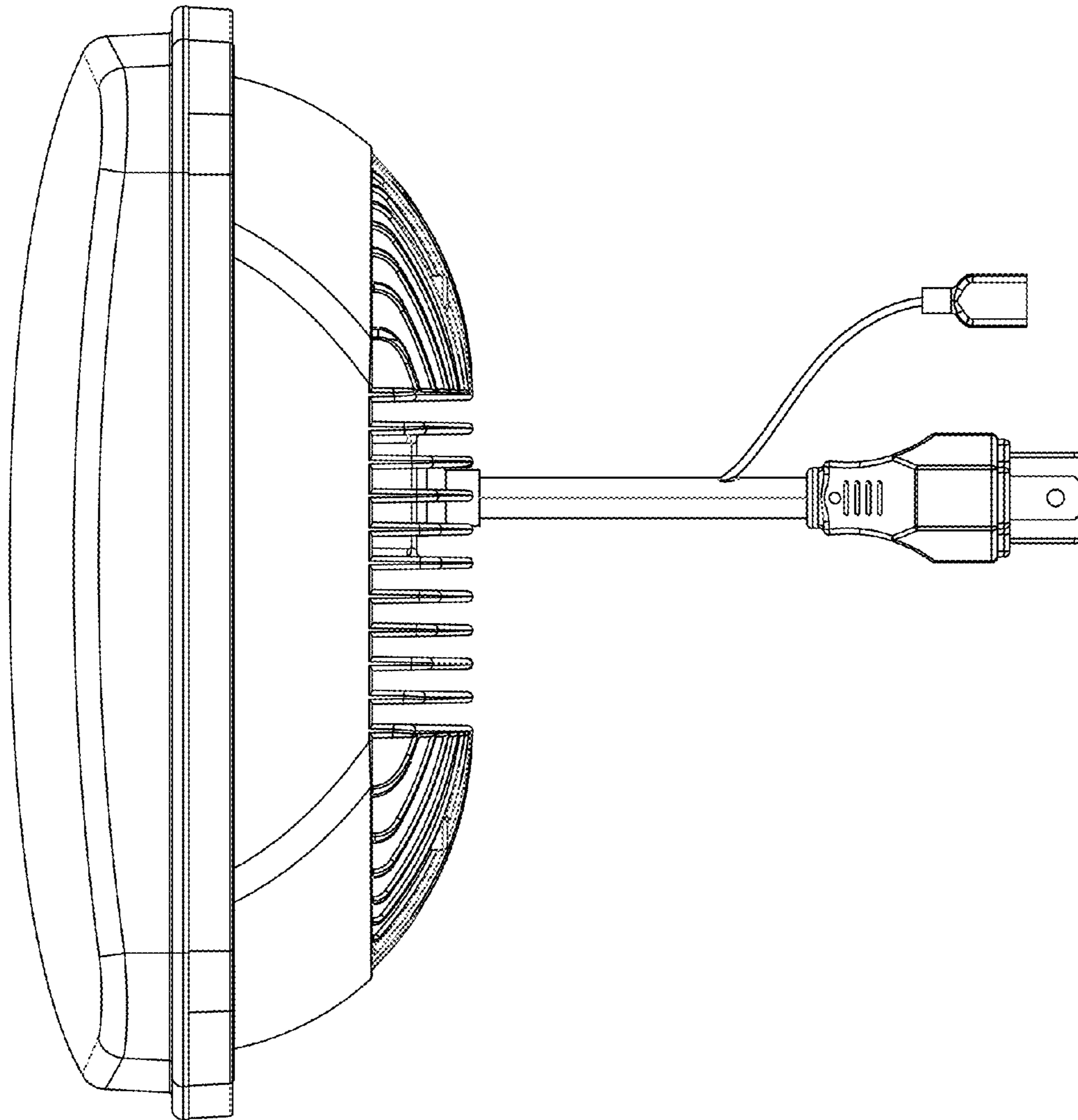


FIG. 6



F I G . 7



F I G . 8