



US00D934457S

(12) **United States Design Patent** (10) **Patent No.:** **US D934,457 S**
Johnson (45) **Date of Patent:** **** Oct. 26, 2021**

- (54) **BOW CANDLE** 3,112,240 A * 11/1963 Kravig D04D 7/10
428/5
- (71) Applicant: **The I See You Company, LLC,** D279,280 S * 6/1985 Resnick D11/146
Nashville, TN (US) 4,780,343 A * 10/1988 Coffman D04D 7/10
223/46
- (72) Inventor: **James D. Johnson,** Nashville, TN (US) D319,705 S * 9/1991 Tsai D26/127
D380,417 S * 7/1997 Hardy D26/16
- (73) Assignee: **THE I SEE YOU COMPANY, LLC,** D467,362 S * 12/2002 Gue D26/19
Nashville, TN (US) D511,996 S * 11/2005 Kopsak F21V 3/02
D11/184

(Continued)

(**) Term: **15 Years**

(21) Appl. No.: **29/694,322**

(22) Filed: **Jun. 10, 2019**

Related U.S. Application Data

(63) Continuation of application No. 15/484,944, filed on Apr. 11, 2017, now Pat. No. 10,317,069.

(51) **LOC (13) Cl.** **26-01**

(52) **U.S. Cl.**
USPC **D26/16**

(58) **Field of Classification Search**
USPC D1/106, 107, 108, 109, 114, 115;
D26/1-17, 19-24, 28-38, 40, 41, 43-45,
D26/51, 55, 72, 74

CPC F21H 1/00; F21H 1/02; F21H 1/04; F21H
5/00; F21H 7/00; F21L 2/00; F21L 19/00;
F21L 19/003; F21L 19/006; F21S 2/00;
F21S 2/005; F21S 6/00; F21S 6/001;
F21S 9/00; F21S 9/02; F21S 43/00; F21V
15/00; F21V 35/00; F21V 35/003; F21V
35/006; F21V 37/0095; F21W 2103/00;
F21W 2103/20; F21W 2121/00; F21W
2121/002; F21W 2121/04; H01K 5/00

See application file for complete search history.

(56) **References Cited**

U.S. PATENT DOCUMENTS

- D36,953 S * 6/1904 Perkins D26/7
- D166,802 S * 5/1952 De Berg D26/7

OTHER PUBLICATIONS

Youtube, "I See You Candle Tutorial", first available Oct. 21, 2017.
(<https://www.youtube.com/watch?v=TQWV5Pw9Rj4>) (Year: 2017).*

(Continued)

Primary Examiner — Lauren D McVey

Assistant Examiner — Justin A Johnson

(74) *Attorney, Agent, or Firm* — Shane Cortesi

(57) **CLAIM**

The ornamental design for a bow candle, as shown and described.

DESCRIPTION

FIG. 1 is a front top perspective view of a bow candle in accordance with the present invention.

FIG. 2 is a rear top perspective view thereof.

FIG. 3 is a top plan view thereof.

FIG. 4 is a front elevation view thereof.

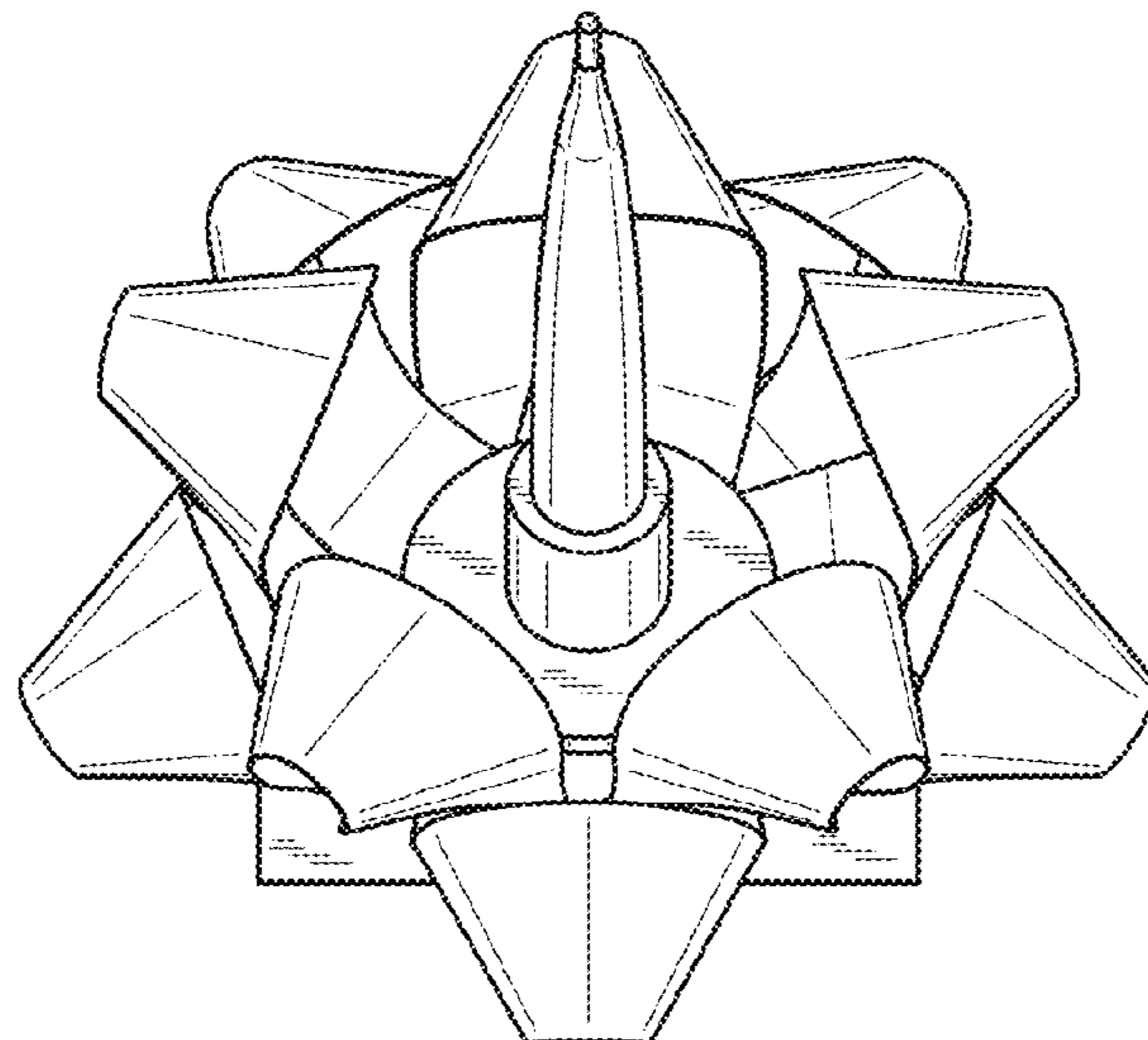
FIG. 5 is a right side elevation view thereof, with the left side being a mirror image thereof.

FIG. 6 is a rear elevation view thereof; and,

FIG. 7 is a bottom plan view thereof.

The broken lines shown in the Figures depict environmental subject matter only, and are not part of the claimed design.

1 Claim, 3 Drawing Sheets



(56)

References Cited

U.S. PATENT DOCUMENTS

D587,386 S * 2/2009 Ward-Jones D04D 7/10
D26/9
D590,524 S * 4/2009 Gue D26/7
10,317,069 B2 * 6/2019 Johnson D04D 7/10
2009/0226643 A1 * 9/2009 Shih D04D 7/10
428/4
2010/0097790 A1 * 4/2010 Tseng F21V 3/02
362/122

OTHER PUBLICATIONS

Amazon, "Bath and Body Works Blue Gingham Bow 3-Wick Candle Magnet", first available Jan. 22, 2020. (<https://www.amazon.com/Bath-Body-Works-GINGHAM-3-Wick/dp/B07VB2HQ99>) (Year: 2020).*

Walmart, "2" Metallic Mini Gift Bow Assortment, 16 Pack, first accessed Mar. 8, 2021. (<https://www.walmart.com/ip/2-Metallic-Mini-Gift-Bow-Assortment-16-Pack/273940455>) (Year: 2021).*

Alibaba, "Elegant Grand Design Wedding Door Gift Ideas Giant Pom Pom Ribbon Pull Bow", first accessed Mar. 8, 2021. (https://www.alibaba.com/product-detail/Elegant-Grand-Design-Wedding-Door-Gift_60602495457.html?bypass=true) (Year: 2021).*

* cited by examiner

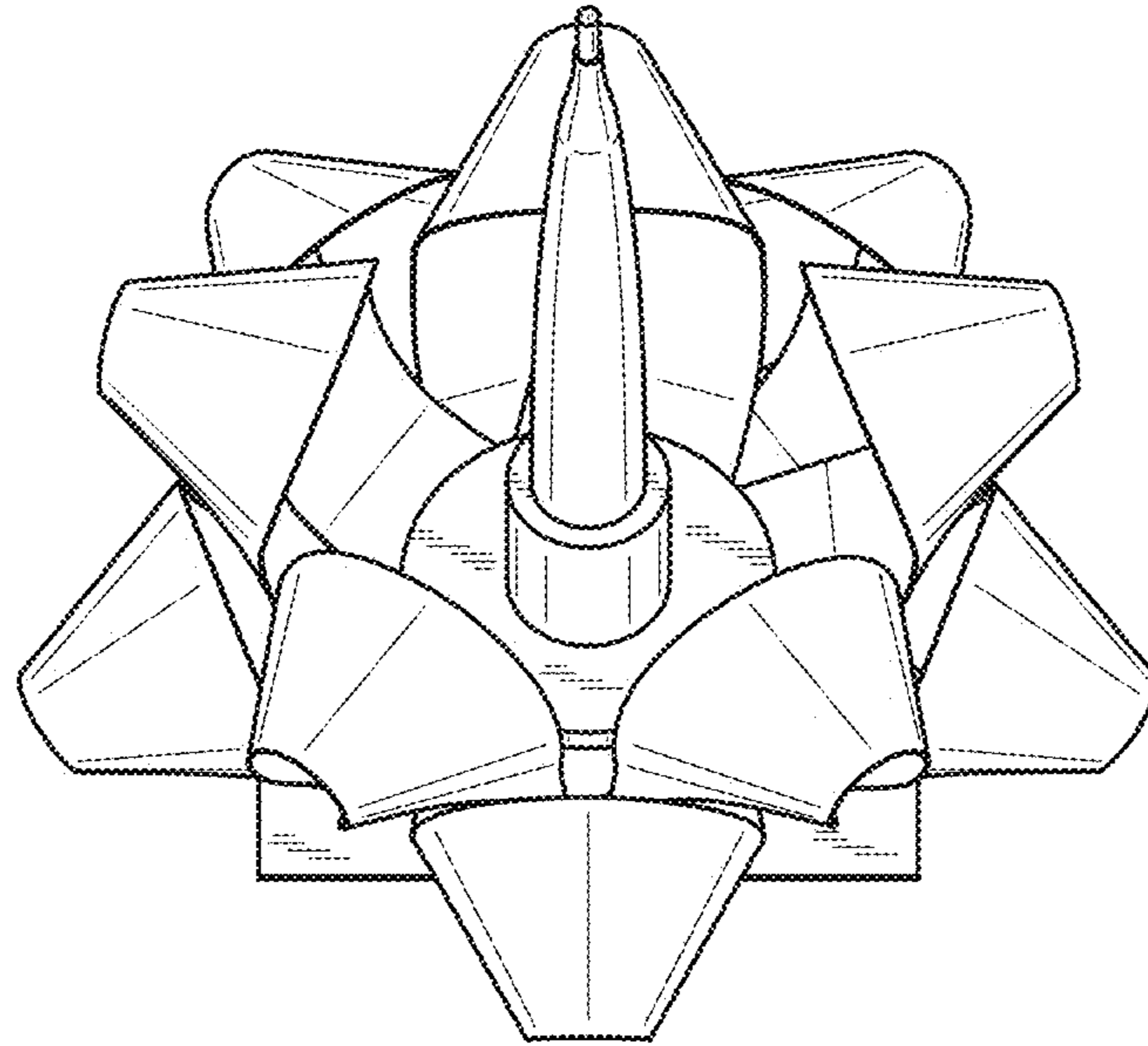


FIG. 1

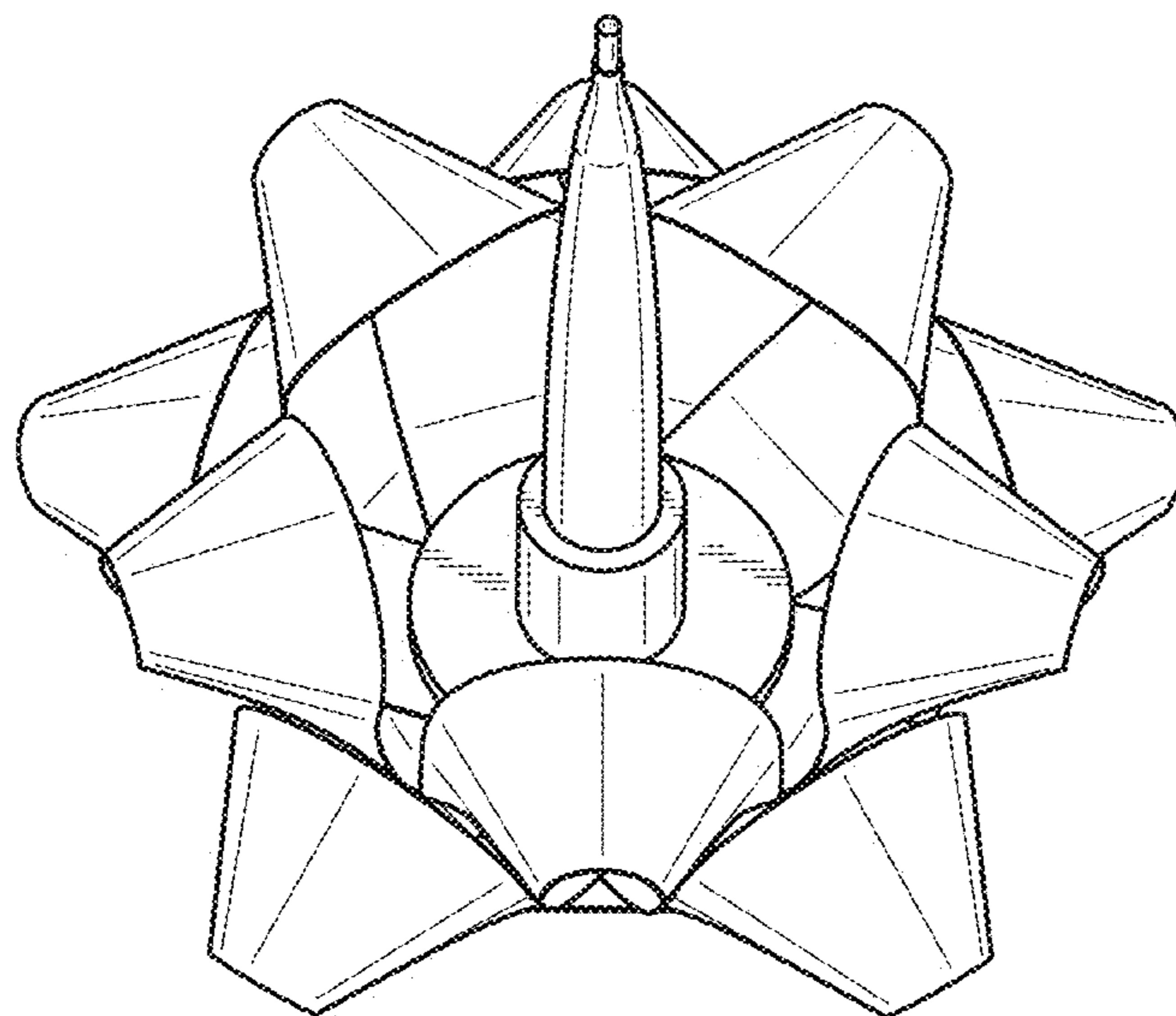


FIG. 2

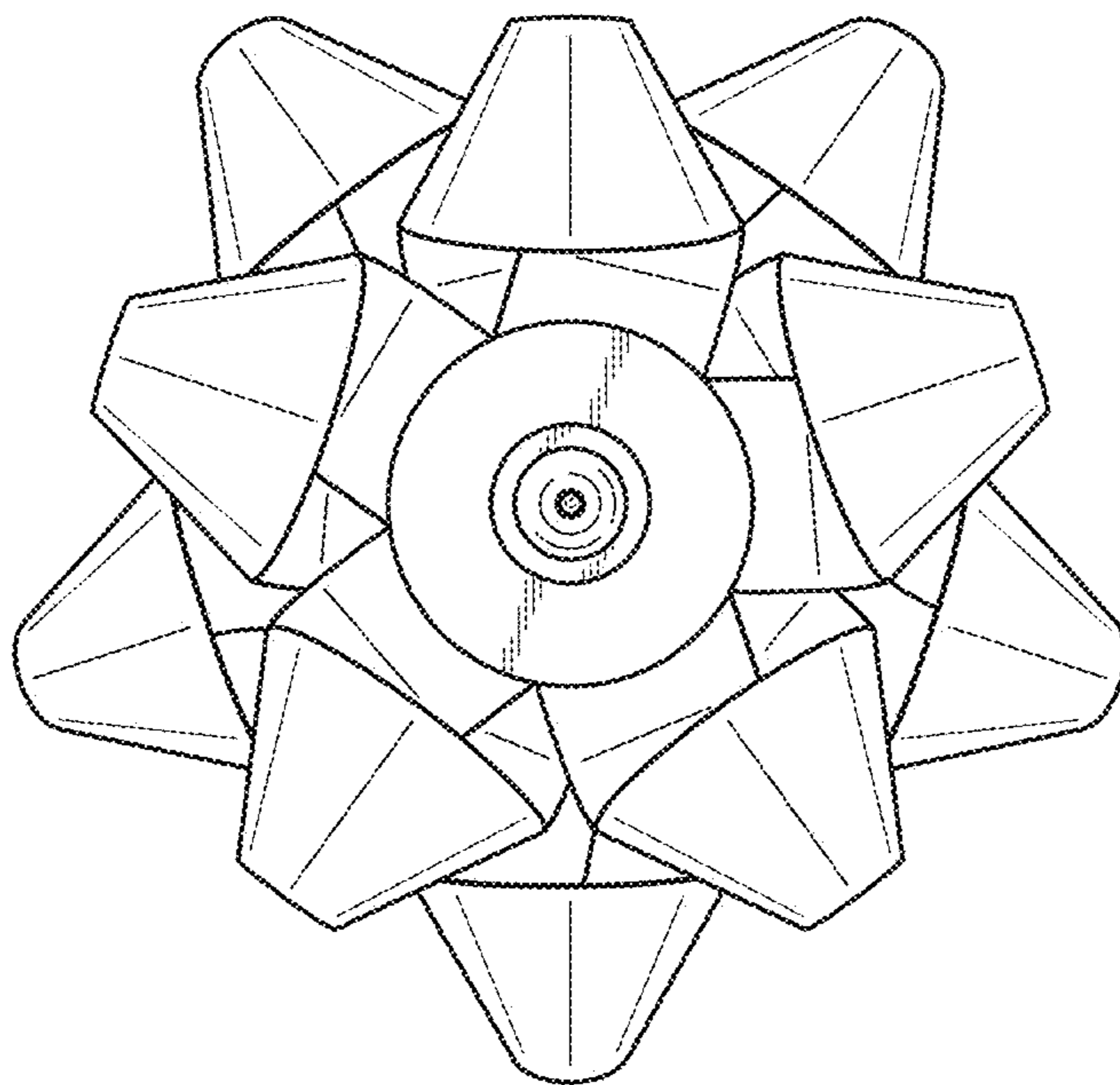


FIG. 3

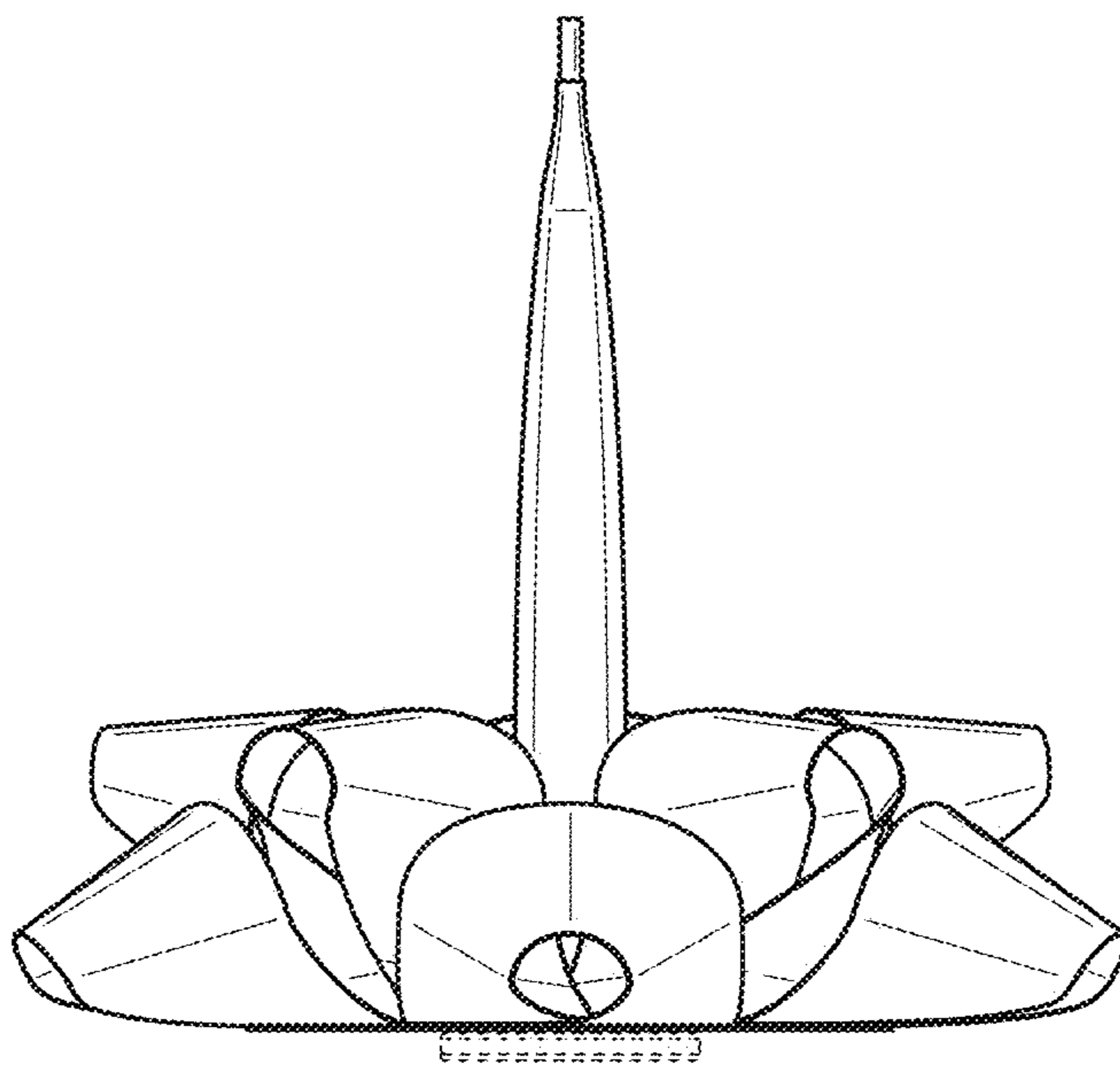


FIG. 4

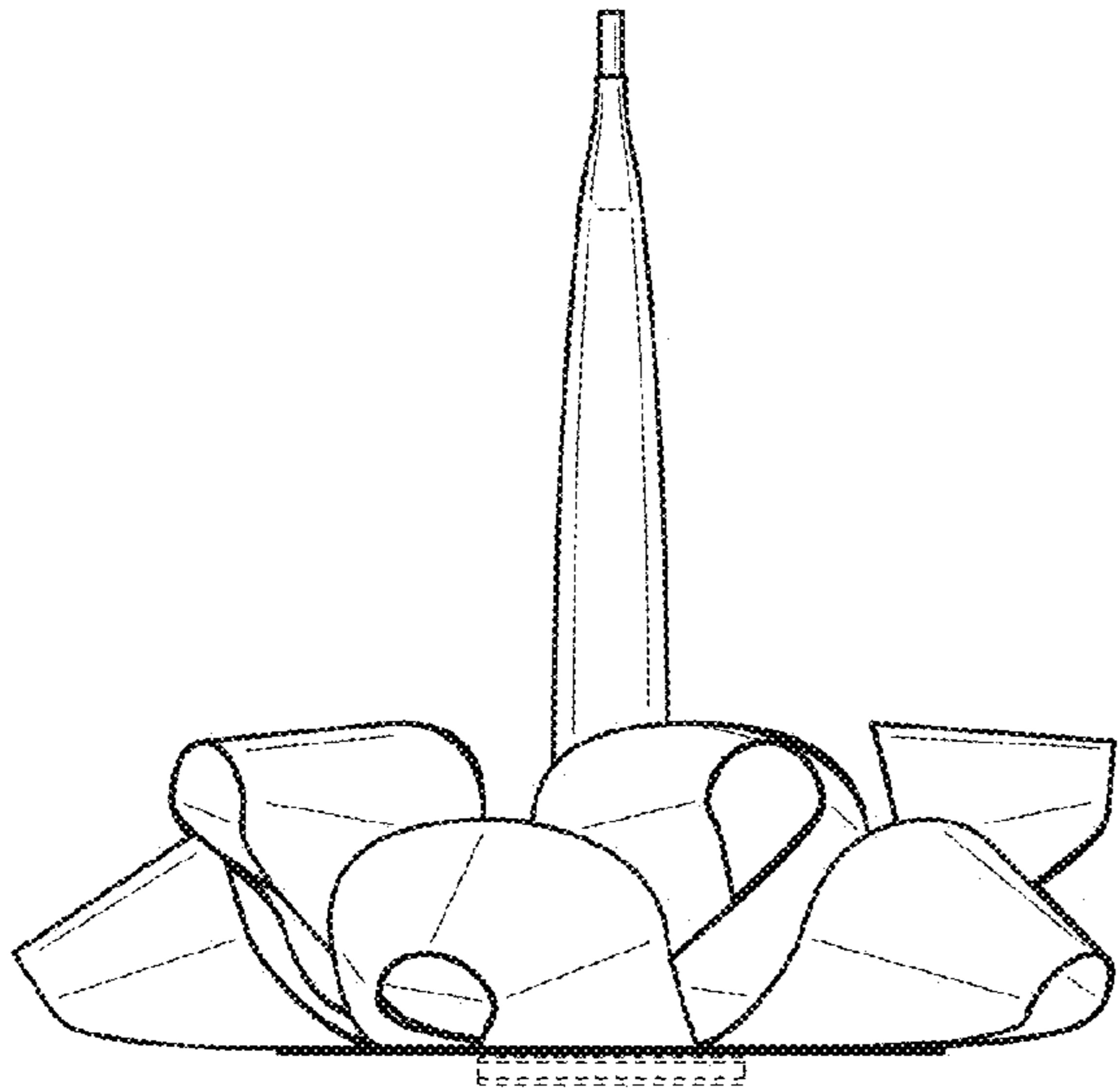


FIG. 5

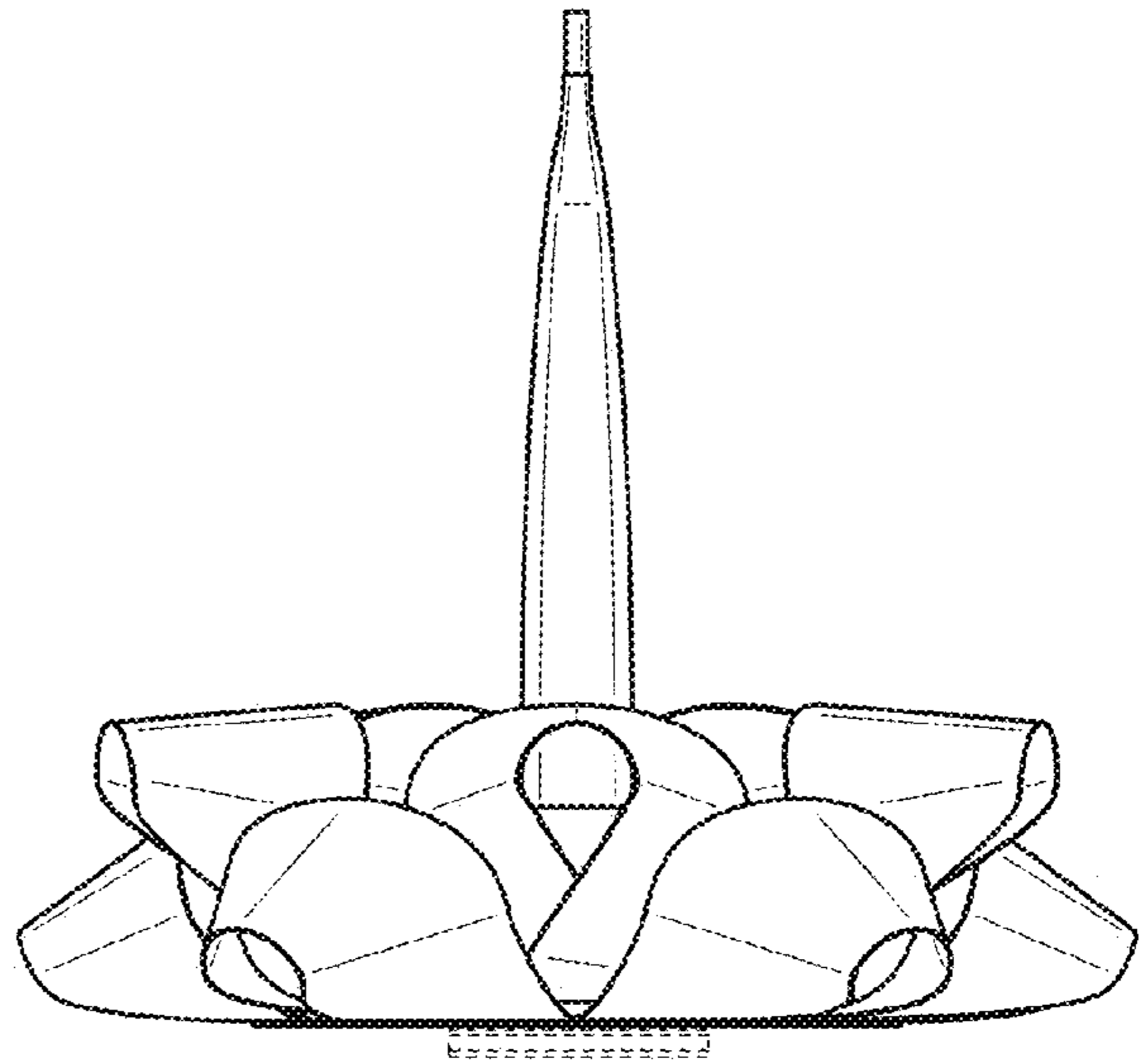


FIG. 6

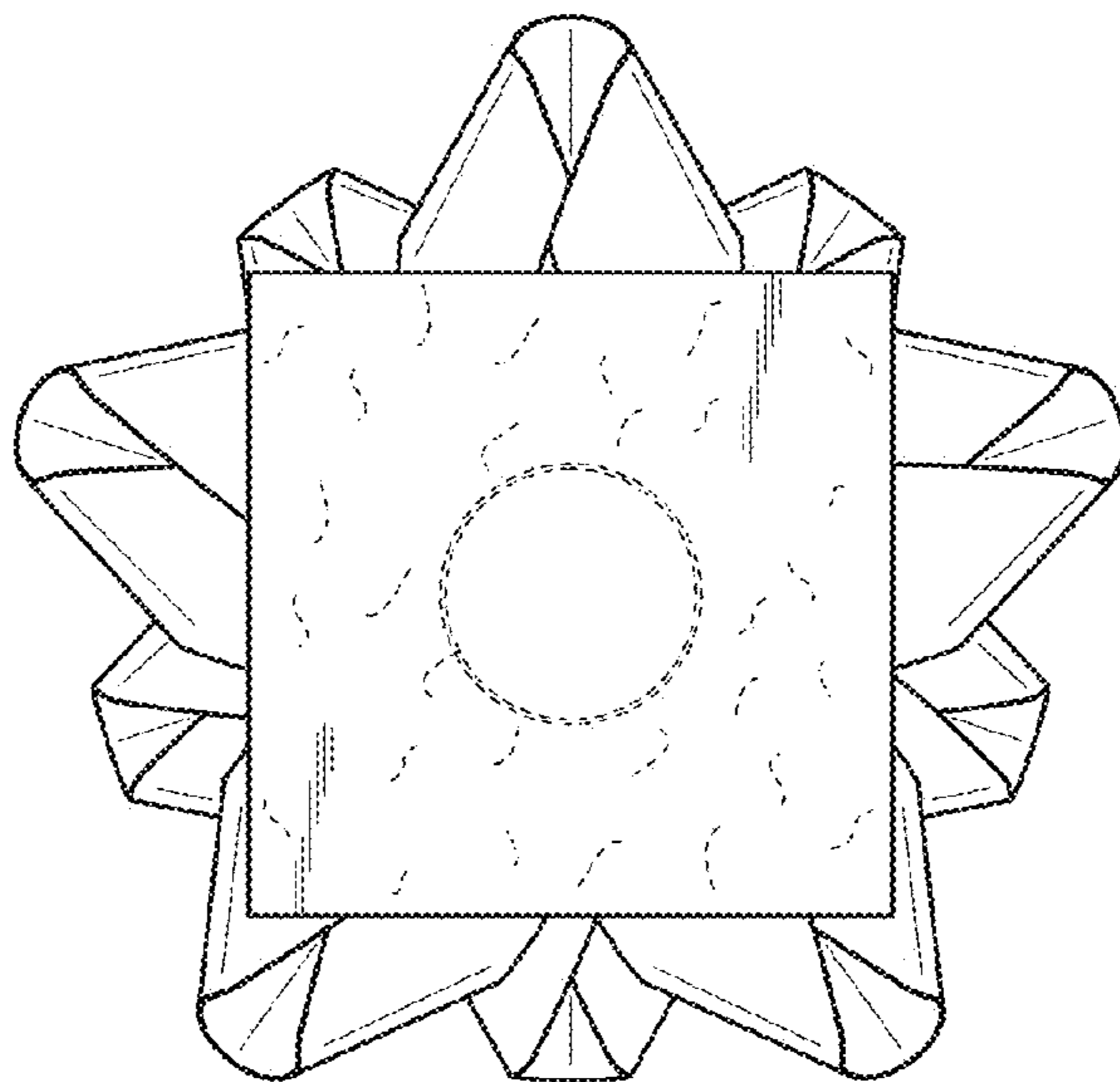


FIG. 7