



US00D934453S

(12) **United States Design Patent**
Garlick

(10) **Patent No.:** **US D934,453 S**

(45) **Date of Patent:** **** Oct. 26, 2021**

(54) **WALL PANEL**

(71) Applicant: **Korok Building Systems NZ Limited,**
Hamilton (NZ)

(72) Inventor: **Geoffrey Mark Garlick,** Hamilton
(NZ)

(73) Assignee: **KOROK BUILDING SYSTEMS NZ**
LIMITED, Hamilton (NZ)

(**) Term: **15 Years**

(21) Appl. No.: **29/715,252**

(22) Filed: **Nov. 29, 2019**

(51) **LOC (13) Cl.** **25-01**

(52) **U.S. Cl.**
USPC **D25/158**

(58) **Field of Classification Search**
USPC D25/138, 157, 158
CPC E04F 13/0864; E04F 13/0871; E04F
13/0862; E04F 13/00; E04F 13/08; E04B
2/44; E04C 2002/3461; E04C 2/32; E04C
2/324

See application file for complete search history.

(56) **References Cited**

U.S. PATENT DOCUMENTS

D380,843 S * 7/1997 Hart D25/102
D416,337 S * 11/1999 Suchyna D25/138

D503,486 S * 3/2005 Male D25/138
D551,783 S * 9/2007 Lowman D25/158
D684,705 S * 6/2013 Curtas D25/119
8,955,281 B2 * 2/2015 Pietruczynik B29C 48/07
52/580
D738,540 S * 9/2015 Lillejord D25/138
10,077,553 B2 * 9/2018 Neumayr E04B 2/44
10,563,400 B2 * 2/2020 Graham B32B 3/06

* cited by examiner

Primary Examiner — Doris Clark

(74) *Attorney, Agent, or Firm* — Wenderoth, Lind &
Ponack, L.L.P.

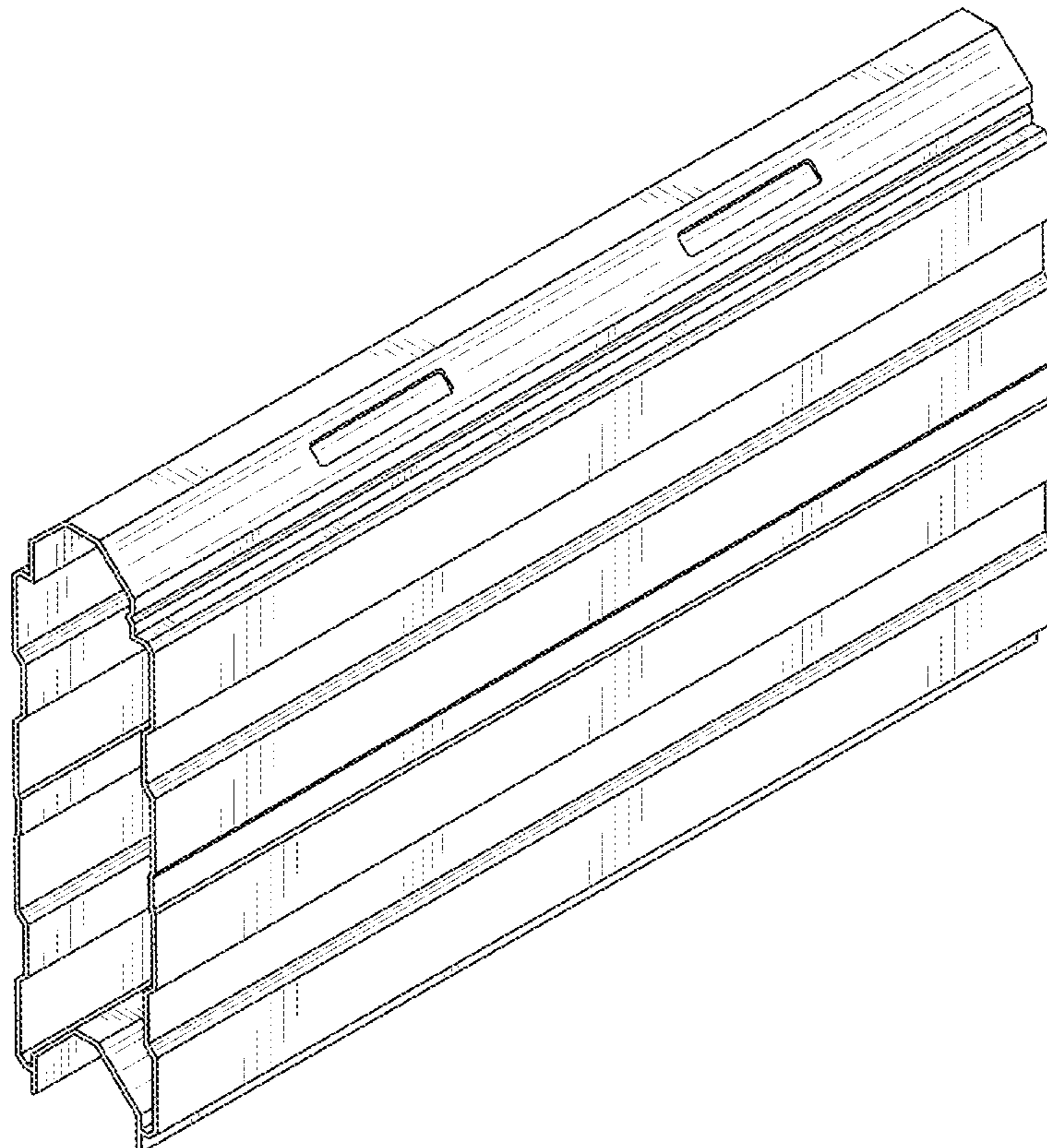
(57) **CLAIM**

The ornamental design for a wall panel, as shown and
described.

DESCRIPTION

FIG. 1 is a perspective view of the wall panel;
FIG. 2 is a top view thereof;
FIG. 3 is a bottom view thereof;
FIG. 4 is an end view thereof;
FIG. 5 is a left side view thereof; and,
FIG. 6 is a right side view thereof;

1 Claim, 6 Drawing Sheets



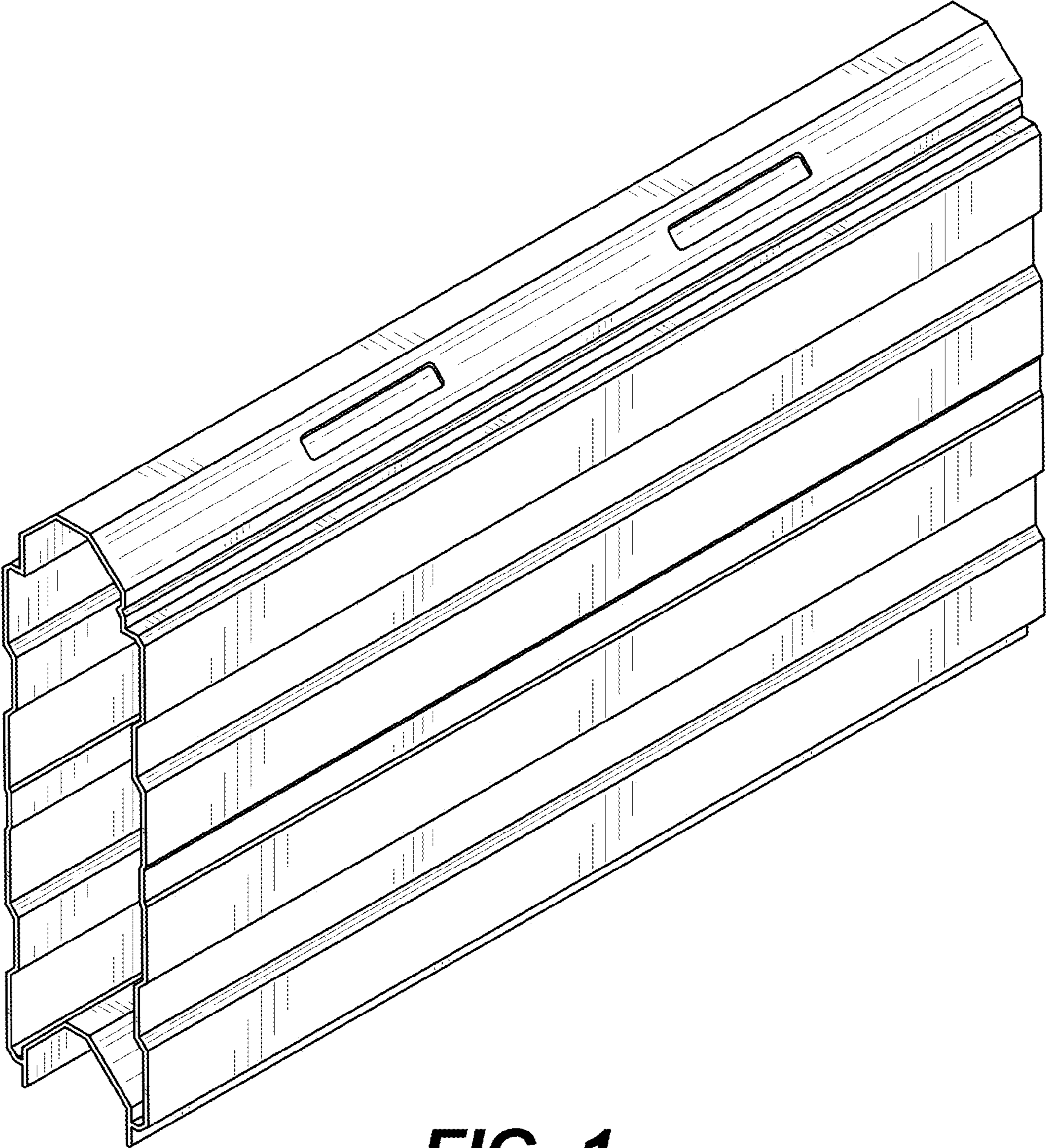


FIG. 1

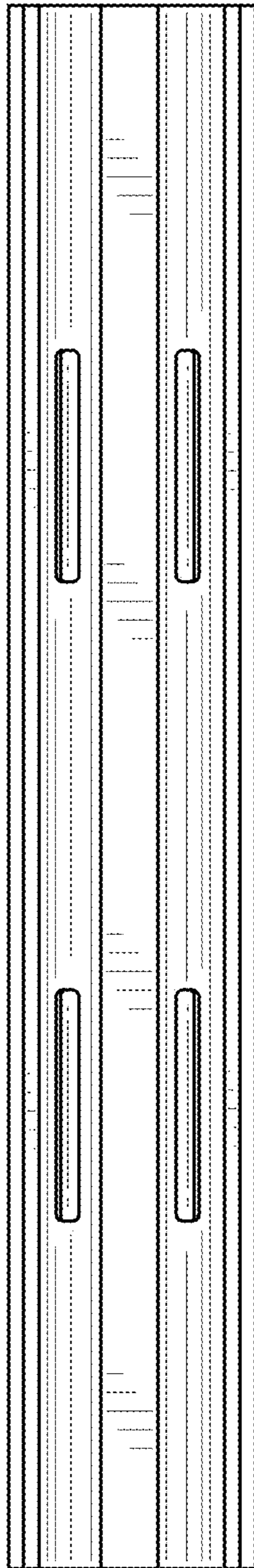


FIG. 2

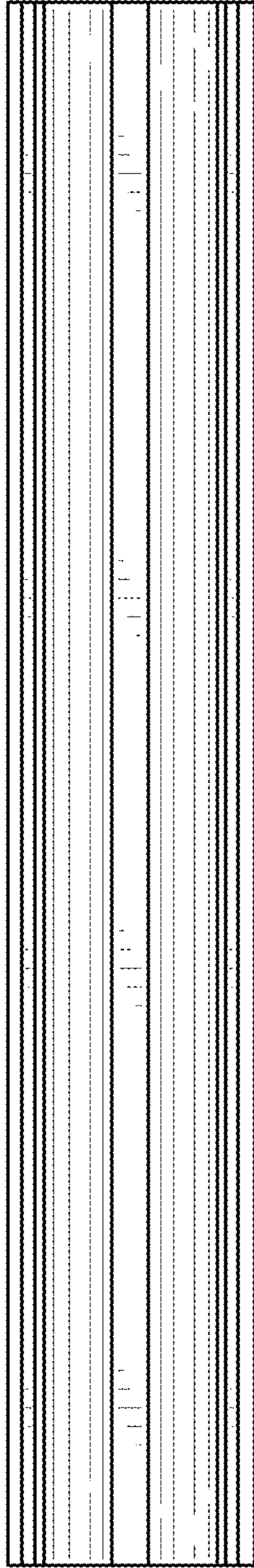


FIG. 3

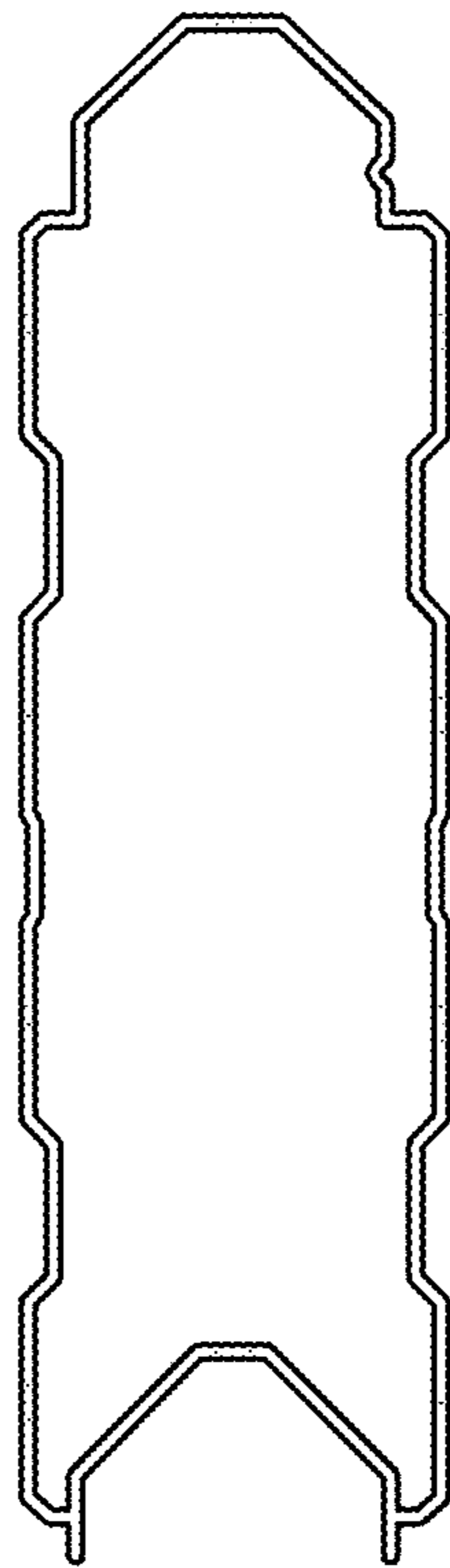


FIG. 4

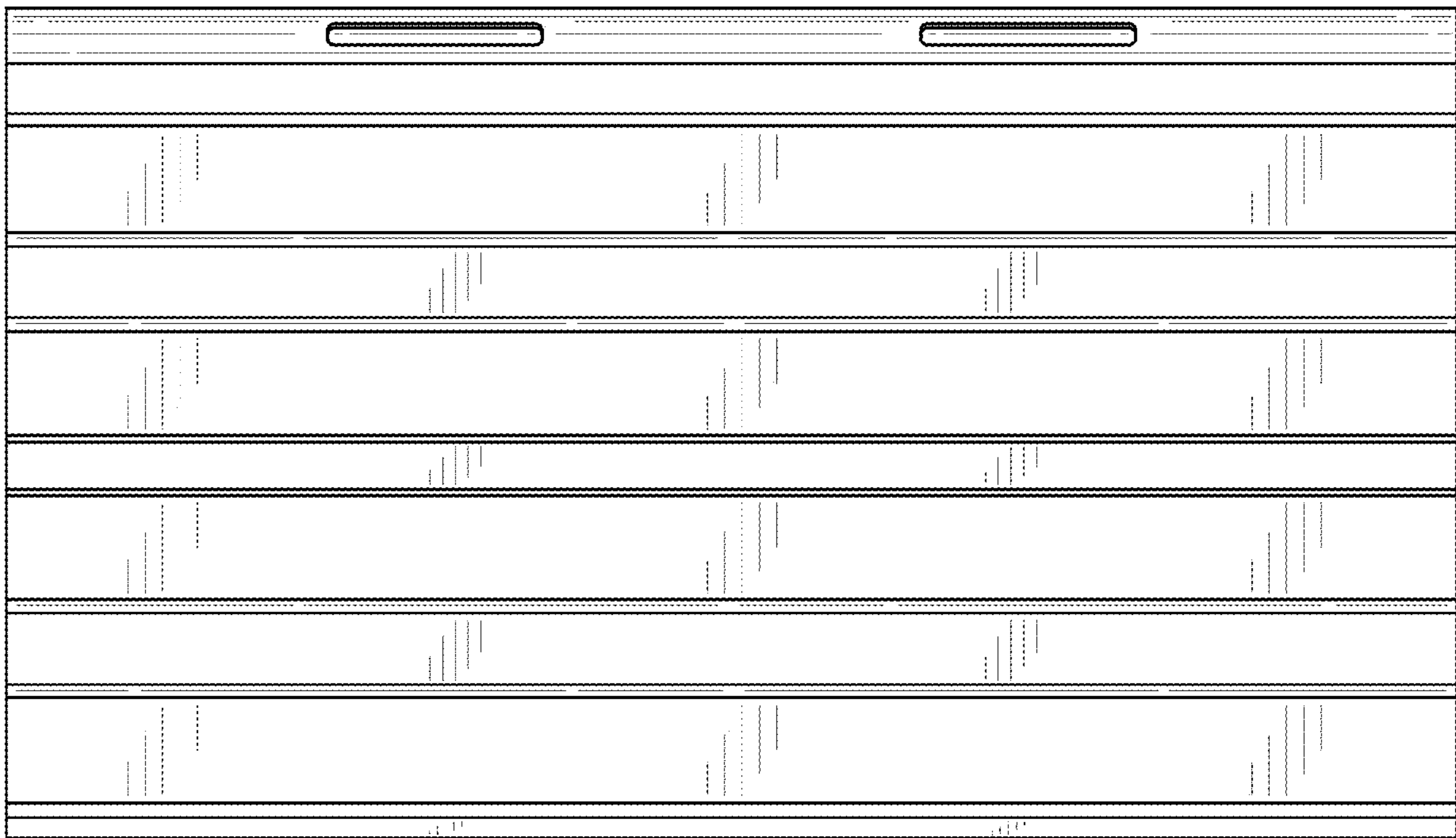


FIG. 5

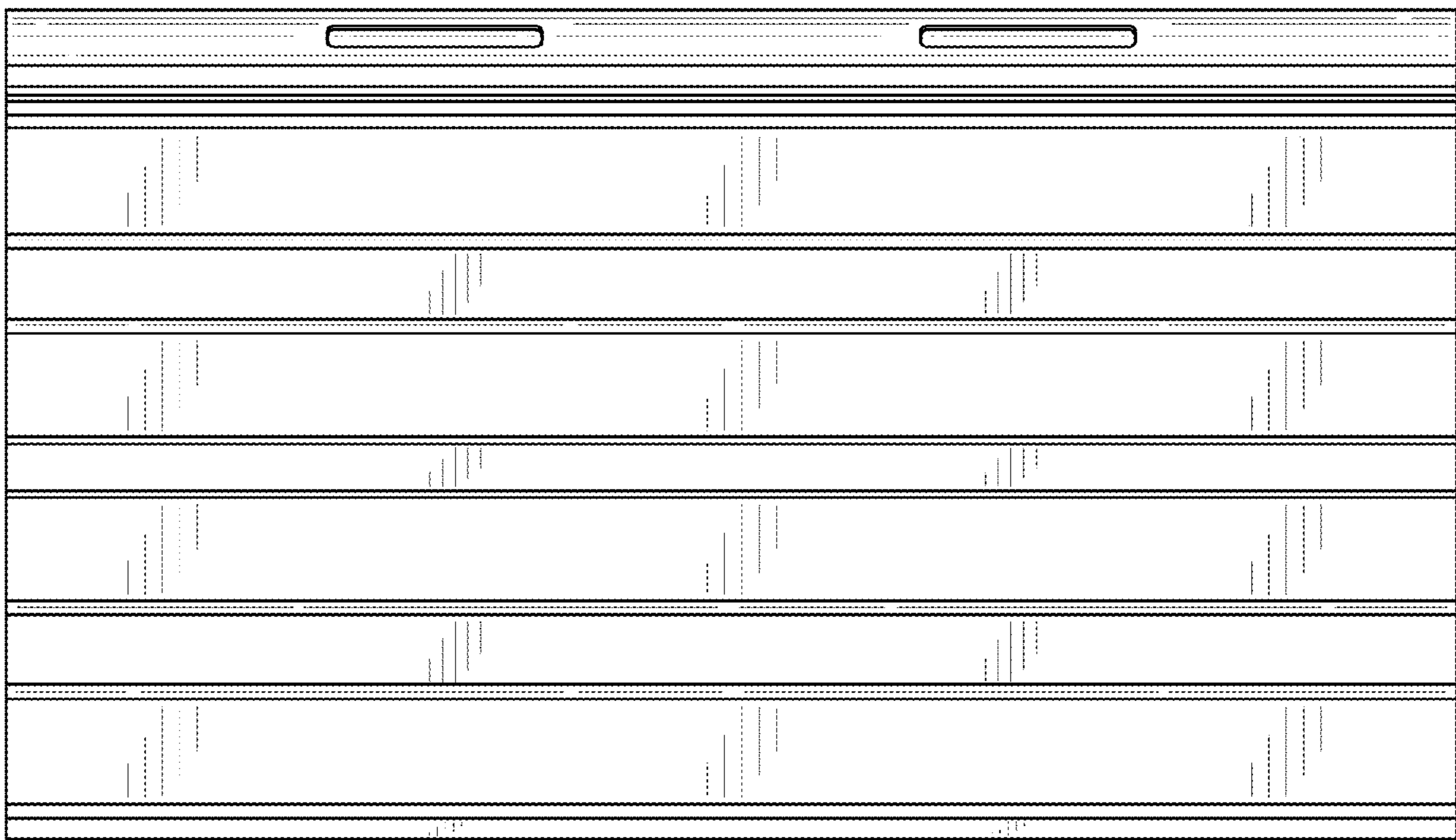


FIG. 6