



US00D934452S

(12) **United States Design Patent** (10) **Patent No.:** **US D934,452 S**  
**Jones et al.** (45) **Date of Patent:** **\*\* Oct. 26, 2021**

(54) **MODULAR FLOORING TILE WITH CABLE CHANNELS**

2017029080510https://www.terraplasrental.ie/gallery/ (2 pages)  
(Year: 2017).

(Continued)

(71) Applicant: **Signature Systems Group LLC**,  
Flower Mound, TX (US)

*Primary Examiner* — Kimberly Barnes

(72) Inventors: **Chad H Jones**, Frisco, TX (US);  
**Marcos Gonzalez**, North Richland  
Hills, TX (US)

(74) *Attorney, Agent, or Firm* — Metz Lewis Brodman  
Must O’Keefe LLC

(73) Assignee: **Signature Systems Group LLC**,  
Flower Mound, TX (US)

(57) **CLAIM**

The ornamental design for a modular flooring tile with cable channels, as shown and described.

(\*\*) Term: **15 Years**

**DESCRIPTION**

(21) Appl. No.: **29/712,532**

FIG. 1 is a top plan view of a modular flooring tile with cable channels showing our new design, with fasteners at the top left and bottom right corners in a first position and fasteners at the top right and bottom left corners in a second position. FIG. 2 is a top perspective partially exploded view of the modular flooring tile with cable channels of FIG. 1.

(22) Filed: **Nov. 8, 2019**

**Related U.S. Application Data**

(63) Continuation-in-part of application No. 29/628,360,  
filed on Dec. 4, 2017, now Pat. No. Des. 880,012.

(51) **LOC (13) Cl.** ..... **25-01**

(52) **U.S. Cl.**  
USPC ..... **D25/138**

(58) **Field of Classification Search**  
USPC ..... D25/138, 139, 140, 142, 143, 144, 149,  
D25/150, 152, 153, 156, 157, 158, 163;  
D21/809, 811, 814

FIG. 3 is a bottom plan view of the modular flooring tile with cable channels of FIG. 1.

FIG. 4 is a bottom perspective view of the modular flooring tile with cable channels of FIG. 3.

FIG. 5 is a right side elevation view of the modular flooring tile with cable channels of FIG. 1, where the left side elevation is the same.

FIG. 6 is a detail view of one end of the modular flooring tile with cable channels of FIG. 5.

FIG. 7 is a front elevation view of the modular flooring tile with cable channels of FIG. 1, where the back elevation is the same; and,

FIG. 8 is a detail view of one end of the modular flooring tile with cable channels of FIG. 7.

The dashed broken lines shown in the drawings depict portions of the modular flooring tile with cable channels that form no part of the claimed design. The dot-dashed broken lines are for the purpose of showing alignment in FIG. 2 and enlarged details in FIGS. 5-8, and form no part of the claimed design.

(Continued)

(56) **References Cited**

**U.S. PATENT DOCUMENTS**

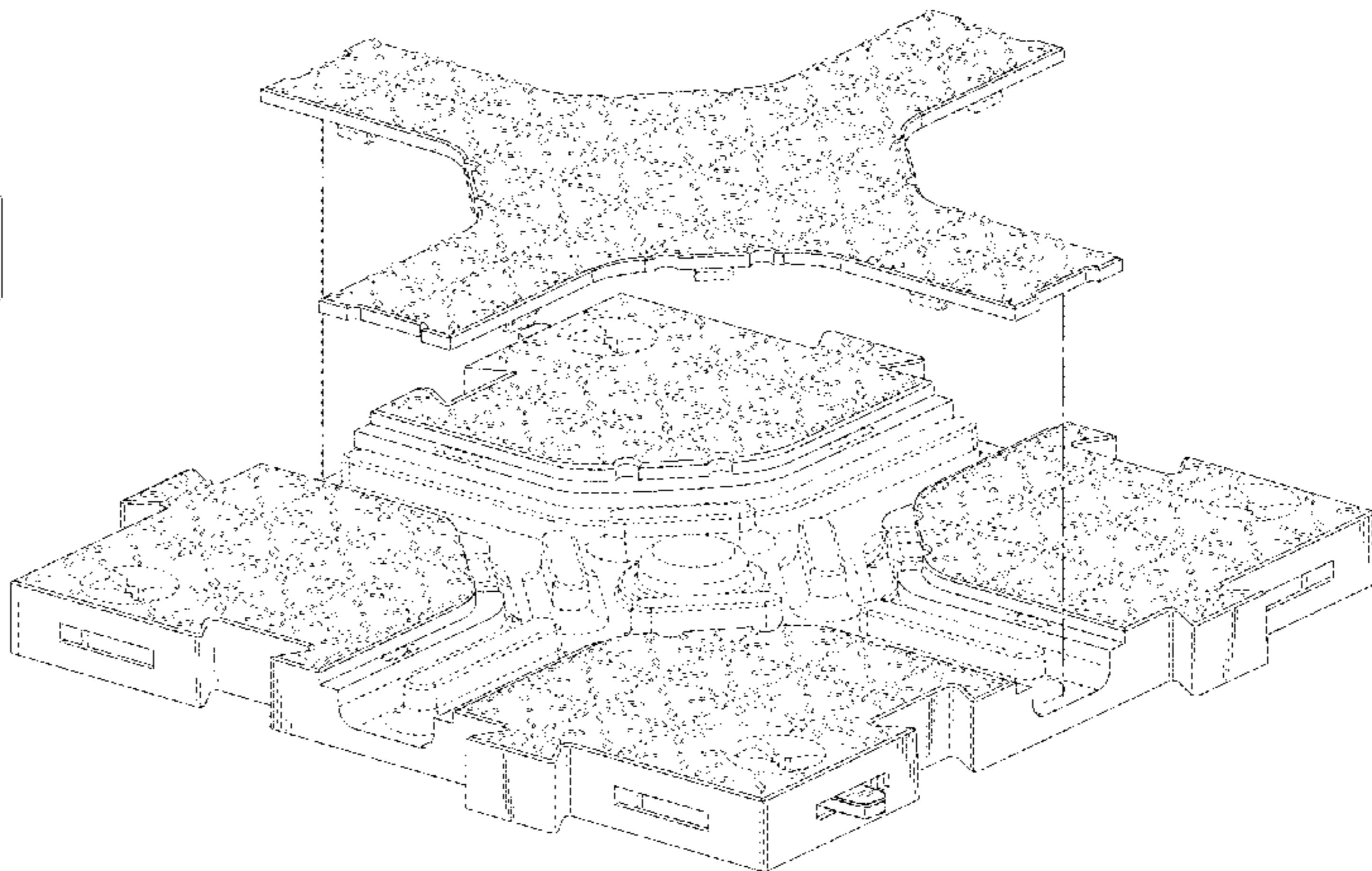
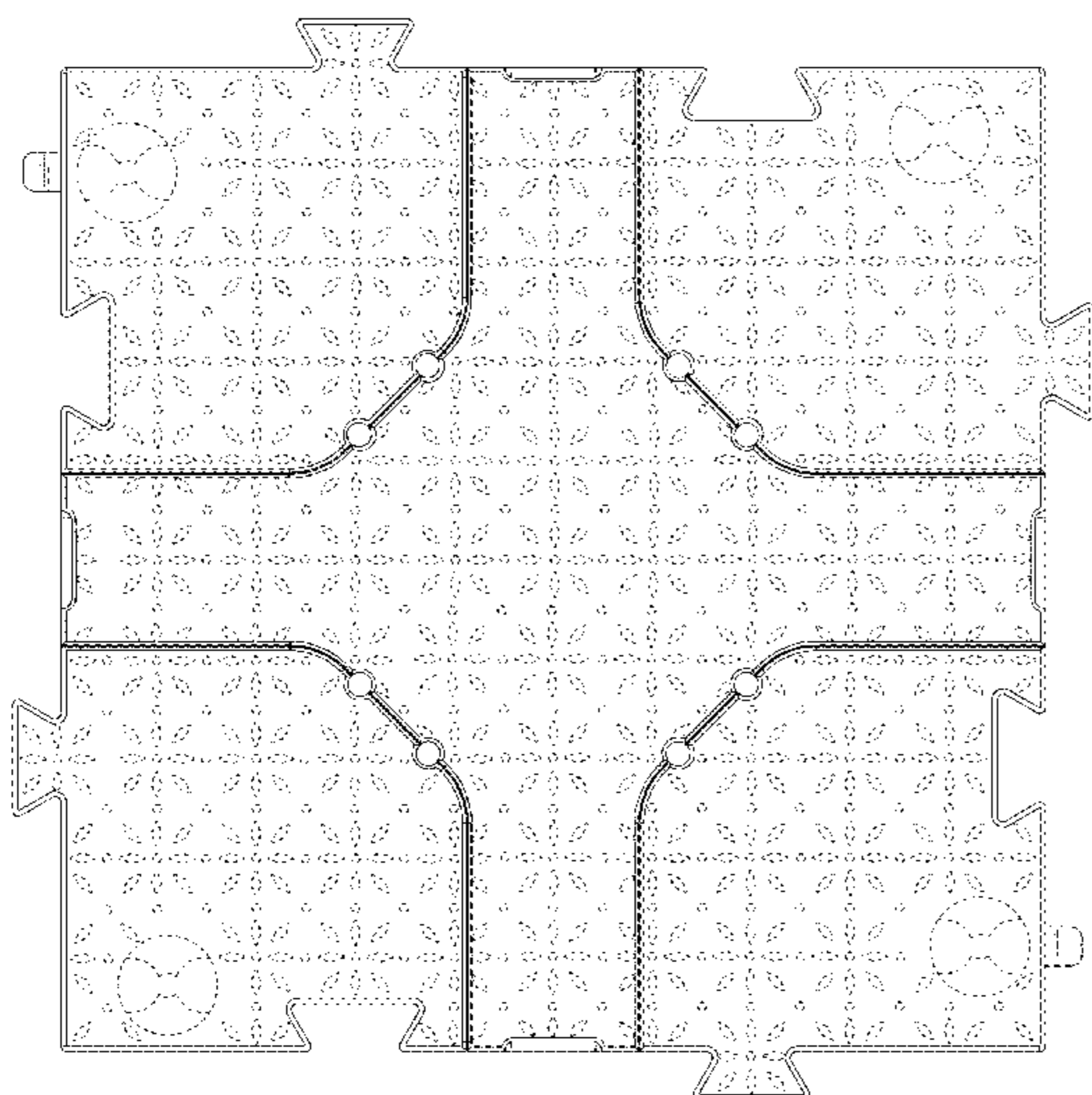
D203,071 S 11/1965 Harty, Jr.  
D255,744 S 7/1980 Dekko

(Continued)

**OTHER PUBLICATIONS**

Gallery Terraplas Rentals (on-line), dated Oct. 29, 2017, Retrieved from Internet May 8, 2019, URL: https://web.archive.org/web/

**1 Claim, 6 Drawing Sheets**



(58) **Field of Classification Search**  
 CPC . E01C 13/08; E01C 5/20; A63C 19/04; B32B  
 3/00; E04F 11/16; E04F 13/08  
 See application file for complete search history.

(56) **References Cited**

U.S. PATENT DOCUMENTS

D274,948 S	7/1984	Swanson et al.
4,996,810 A *	3/1991	Forde ..... E04F 15/02405 52/220.3
D327,748 S	7/1992	Dorfman, Jr.
D350,613 S	9/1994	Fahy, Jr.
5,666,772 A	9/1997	Betty
5,777,266 A	7/1998	Herman et al.
5,787,654 A	8/1998	Drost
5,865,007 A	2/1999	Bowman
5,950,378 A	9/1999	Council
D415,471 S	10/1999	Henry
5,992,106 A	11/1999	Carling
D437,832 S	2/2001	Henry
6,202,565 B1	3/2001	Henry
6,268,652 B1	7/2001	Kimura
6,481,036 B1	11/2002	Duvall
6,499,410 B1	12/2002	Berardi
6,694,672 B1	2/2004	Hergeth
6,695,527 B2	2/2004	Seaux et al.
6,747,212 B1	6/2004	Henry
6,878,881 B1	4/2005	Henry
D532,238 S	11/2006	Thrush
7,145,079 B1	12/2006	Henry
7,299,592 B2	11/2007	Moller, Jr.
7,309,836 B2	12/2007	Lubanski
7,332,672 B2	2/2008	Henry
D563,323 S	3/2008	Henry
7,385,139 B2	6/2008	Lubanski
D583,771 S	12/2008	Lubanski
D593,220 S	5/2009	Reed
7,531,746 B2	5/2009	Henry
D595,870 S	7/2009	Moller, Jr. et al.
D595,871 S	7/2009	Moller, Jr. et al.
D599,039 S	8/2009	Leier
7,571,573 B2	8/2009	Moller
7,592,547 B2	9/2009	Lubanski
7,595,450 B2	9/2009	Lubanski
D611,625 S	3/2010	Ardern
7,674,980 B2	3/2010	Lubanski

D618,368 S	6/2010	Jenkins et al.
7,748,177 B2	7/2010	Jenkins et al.
7,795,535 B2	9/2010	Lubanski
7,838,772 B2	11/2010	Lubanski
7,914,228 B2	3/2011	Rapaz
7,939,759 B2	5/2011	Henry
7,943,851 B2	5/2011	Lubanski
D643,549 S	8/2011	Lei
D654,748 S	2/2012	Lu
8,119,914 B2	2/2012	Lubanski
8,282,310 B2	10/2012	White
8,309,850 B2	11/2012	Henry
8,397,466 B2	3/2013	Jenkins
8,464,490 B2	6/2013	Rapaz
D700,367 S	2/2014	Shen
D707,372 S	6/2014	Prins
8,756,882 B1	6/2014	Vachon
8,791,363 B2	7/2014	Lubanski
D717,248 S	11/2014	Coffman
9,059,574 B2	6/2015	Coffman
9,133,628 B2	9/2015	Moller, Jr. et al.
9,631,326 B2	4/2017	Raam et al.
9,673,601 B2	6/2017	Coffman
9,879,434 B2	1/2018	Boyd et al.
10,172,491 B2 *	1/2019	Thrush ..... E01C 13/045
D880,011 S *	3/2020	Jones ..... D25/163
D880,012 S *	3/2020	Jones ..... D25/163
10,626,621 B2 *	4/2020	Polk, Jr. .... F16B 5/0225
10,697,130 B2 *	6/2020	Jones ..... E01C 5/20
D894,433 S *	8/2020	Mussini ..... D25/163
D895,161 S *	9/2020	Jones ..... D25/138
D898,232 S *	10/2020	Huang ..... D25/163
D900,346 S *	10/2020	Rosan ..... D25/138
10,914,081 B2 *	2/2021	Huss ..... A47G 27/0293
10,968,573 B2 *	4/2021	Szonyi ..... E04F 15/02183
2007/0017180 A1 *	1/2007	Ting ..... E04F 15/02411 52/792.11
2013/0037322 A1	2/2013	Lubanski
2014/0020927 A1	1/2014	Coffman

OTHER PUBLICATIONS

OmniDeck—Heavy-Duty Turf Protection System for Stadiums (online), no date available. Retrieved from Internet May 3, 2019; URL: <https://signaturecorp.com/stadium/omnideck/> (4pages).

\* cited by examiner

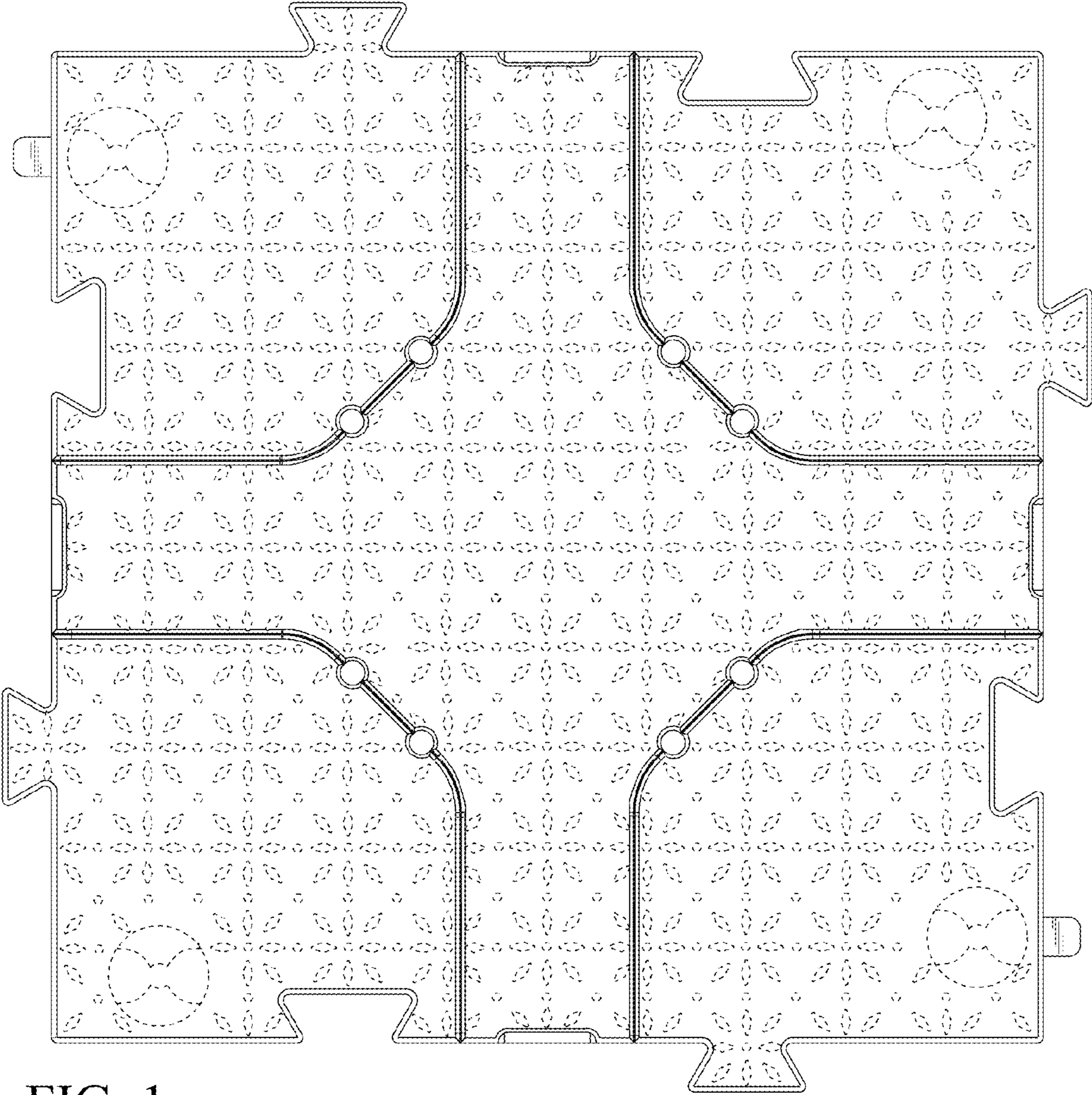


FIG. 1

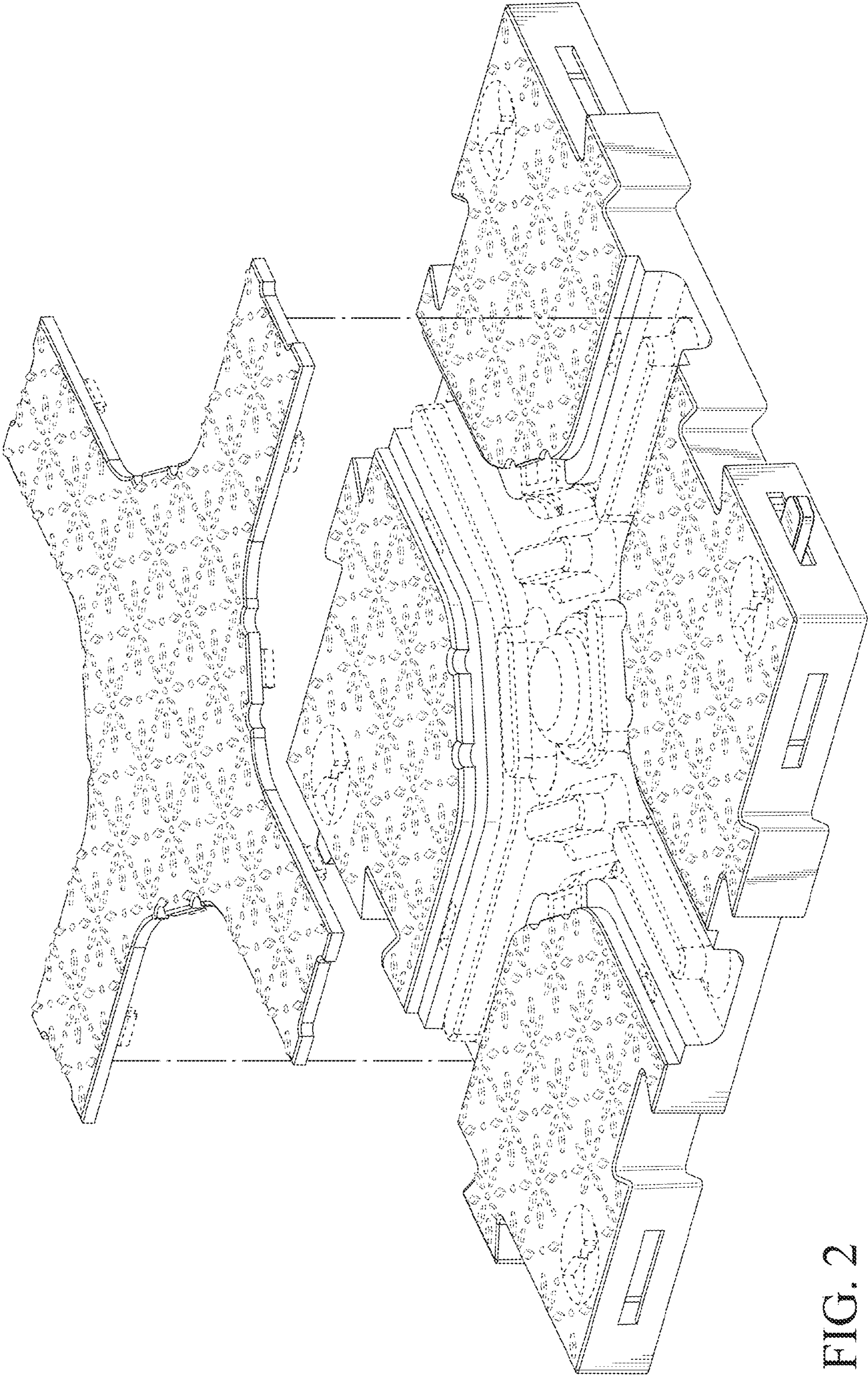


FIG. 2

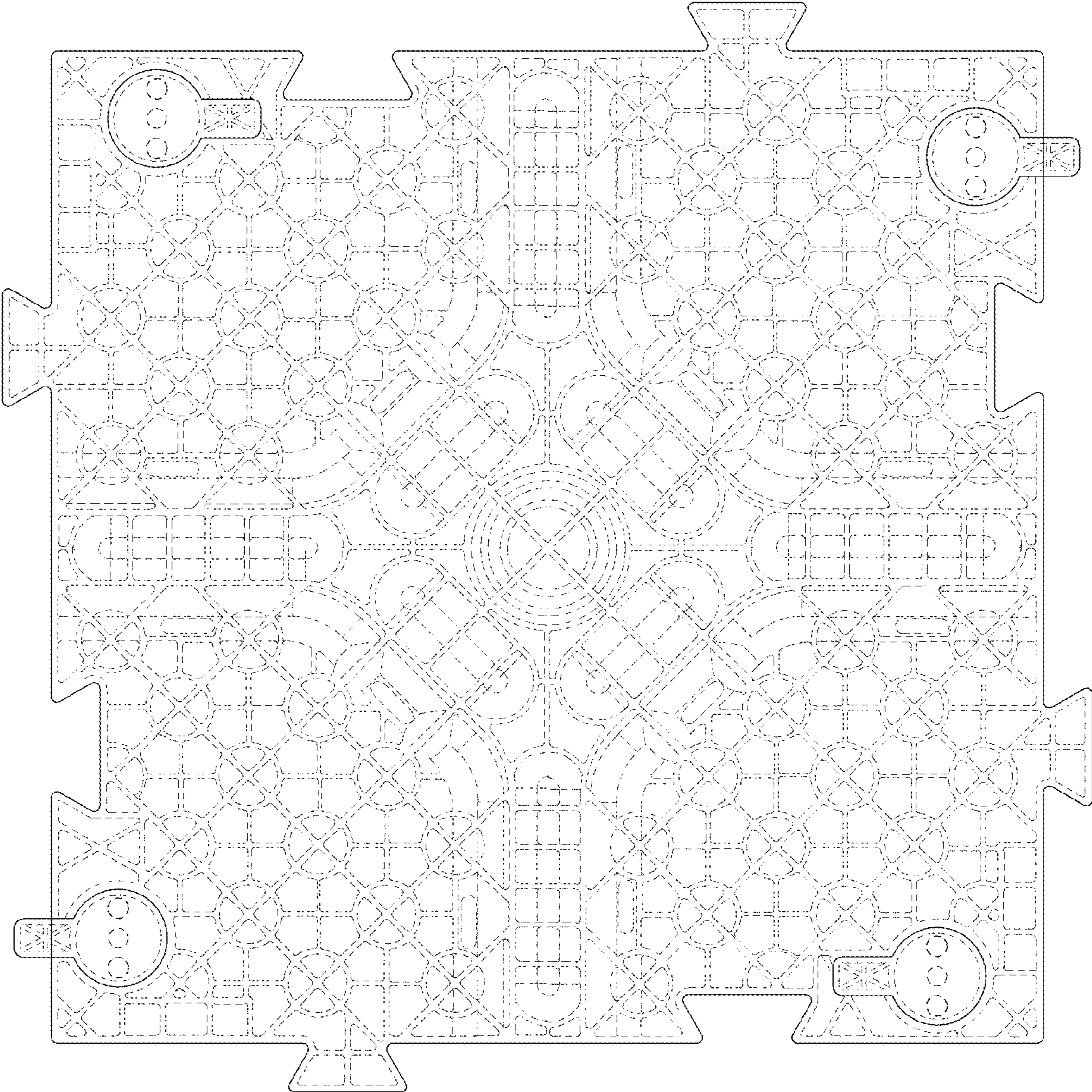


FIG. 3

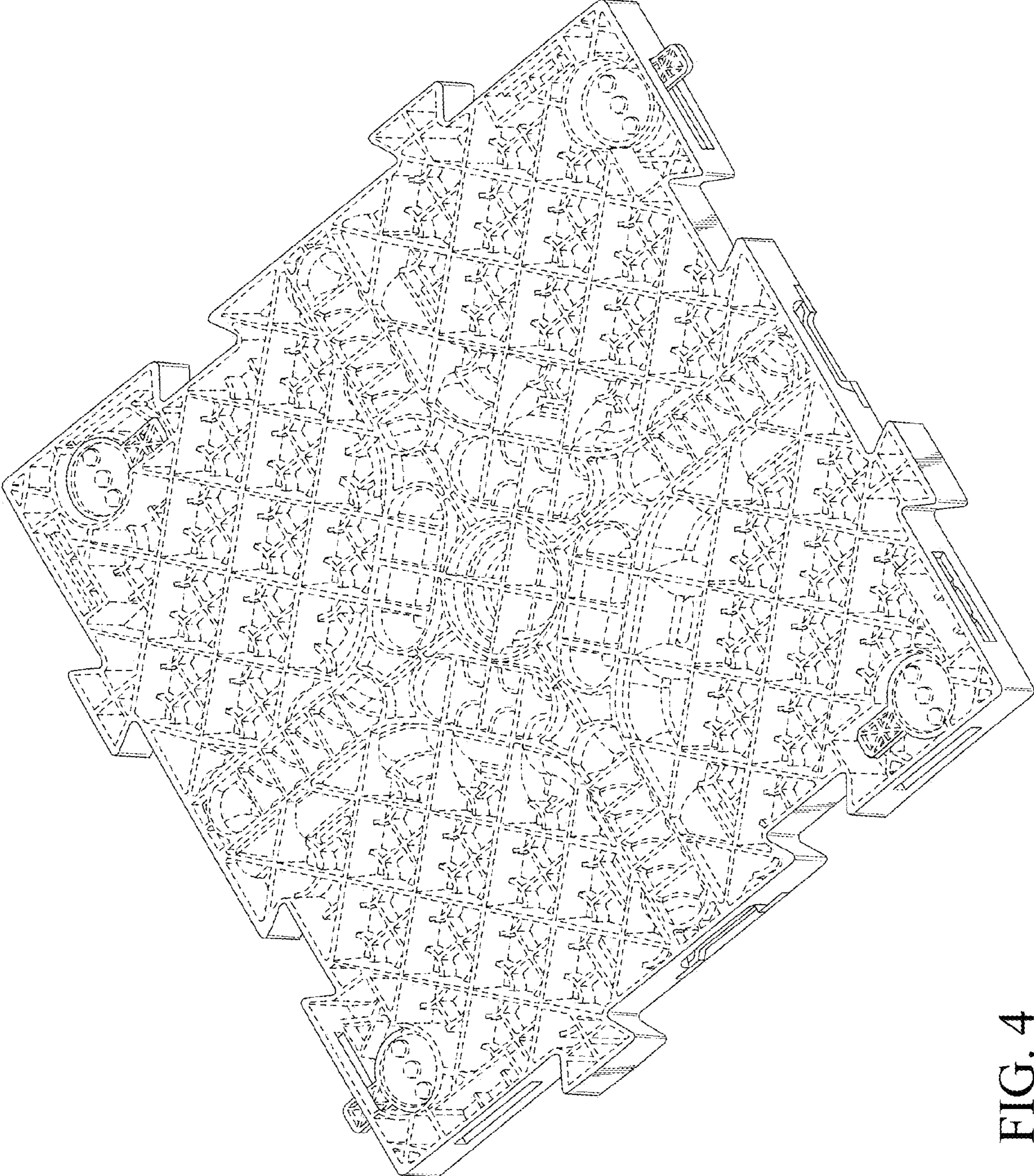


FIG. 4

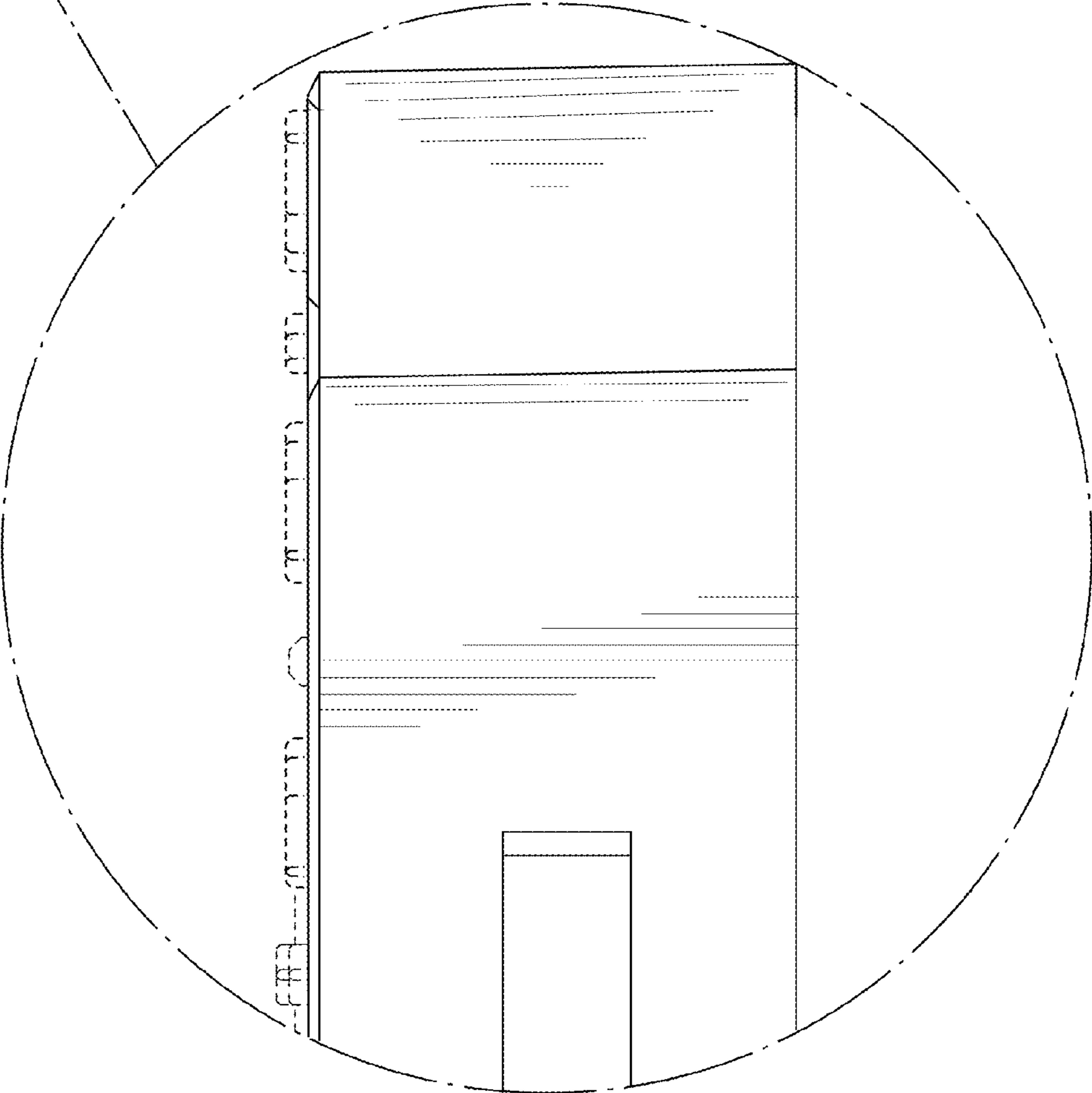
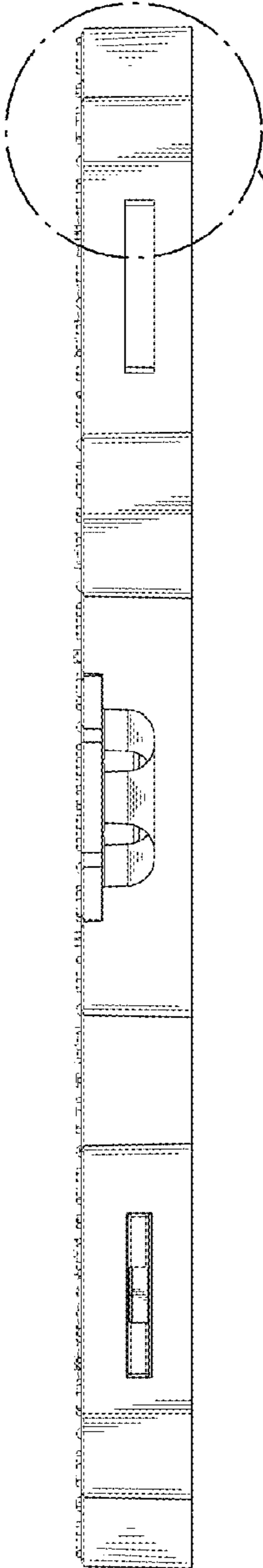


FIG. 5

FIG. 6

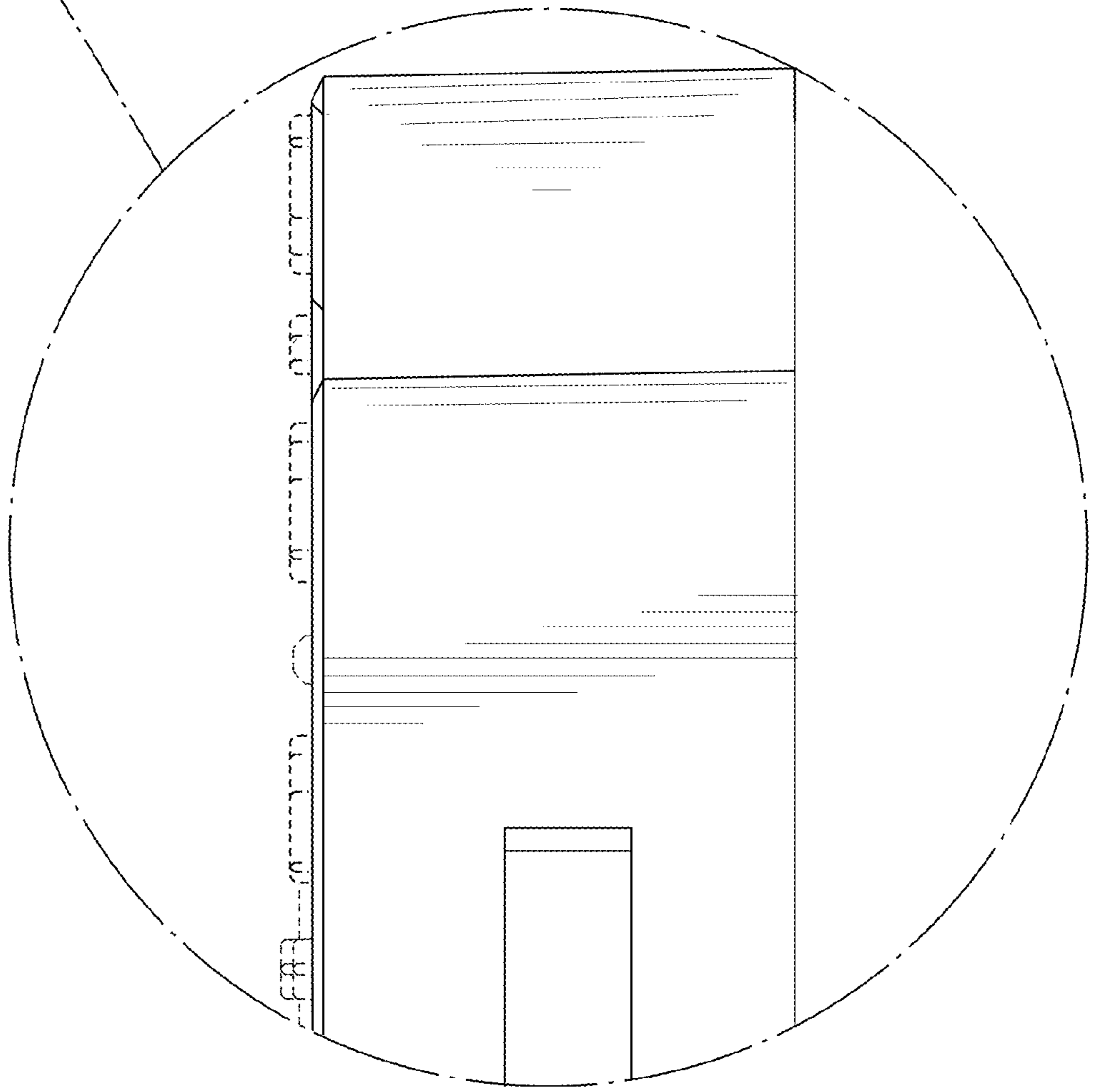
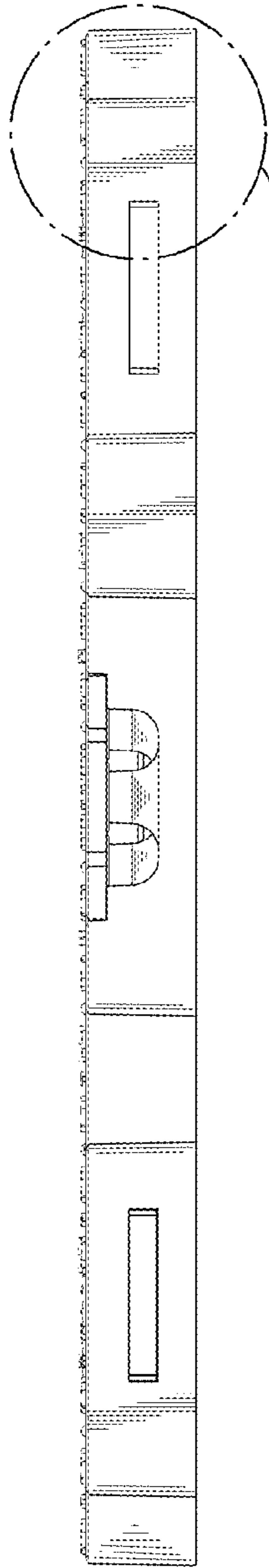


FIG. 7

FIG. 8