

US00D934451S

(12) **United States Design Patent** (10) **Patent No.:** **US D934,451 S**  
**Jury et al.** (45) **Date of Patent:** **\*\* Oct. 26, 2021**

(54) **PANEL FOR USE IN FORMING AN ELEVATED PLATFORM**

(71) Applicant: **VOIDECK IPCO LIMITED**, Lower Hutt (NZ)

(72) Inventors: **Kevin Jury**, Lower Hutt (NZ); **Paul Charles Jessup**, Porirua (NZ)

(73) Assignee: **VOIDECK IPCO LIMITED**, Lower Hutt (NZ)

(\*\*) Term: **15 Years**

(21) Appl. No.: **29/714,325**

(22) Filed: **Nov. 22, 2019**

(30) **Foreign Application Priority Data**

May 22, 2019 (AU) ..... 201912790

(51) **LOC (13) Cl.** ..... **25-04**

(52) **U.S. Cl.**  
USPC ..... **D25/66**

(58) **Field of Classification Search**  
USPC ..... D25/62, 68, 66, 69, 119–125  
CPC ... E04G 1/152; E04G 1/154; E04G 2001/157;  
E04G 2001/156; E04G 5/08; E04G 1/15  
See application file for complete search history.

(56) **References Cited**

**U.S. PATENT DOCUMENTS**

3,978,634 A 9/1976 Mack et al.  
5,915,497 A \* 6/1999 Krause ..... E04G 1/152  
182/119

(Continued)

**FOREIGN PATENT DOCUMENTS**

AU 2003204102 B2 7/2003  
AU 2003236467 B1 1/2004

(Continued)

**OTHER PUBLICATIONS**

Super Safe Hire, Super Safe Scaffolds—Temporary Stair Void Protection Flyer.

*Primary Examiner* — Gino Colan

(74) *Attorney, Agent, or Firm* — Fay Sharpe LLP

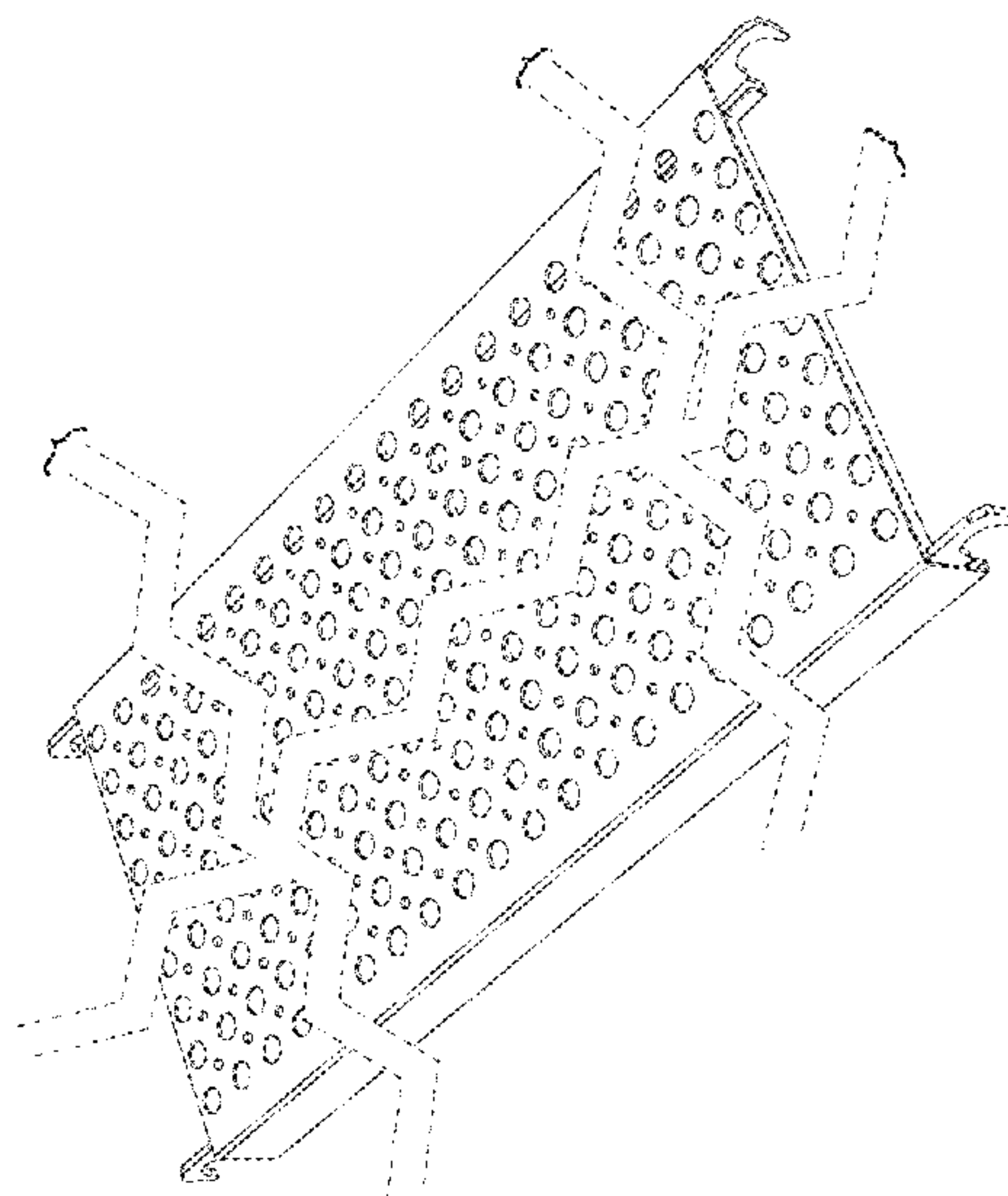
(57) **CLAIM**

The ornamental design for a panel for use in forming an elevated platform, as shown and described.

**DESCRIPTION**

FIG. 1 is an upper front perspective view of the claimed design;  
FIG. 2 is an upper rear perspective view of the claimed design;  
FIG. 3 is a first lower perspective view of the claimed design;  
FIG. 4 is a second lower perspective view of the claimed design;  
FIG. 5 is a third lower perspective view of the claimed design;  
FIG. 6 is an upper plan view of the claimed design;  
FIG. 7 is a lower plan view of the claimed design;  
FIG. 8 is a side view of the claimed design;  
FIG. 9 is an end-on view of the rear of the claimed design, shown in larger scale; and,  
FIG. 10 is an end-on view of the front of the claimed design. The panel for use in forming an elevated platform is shown with symbolic breaks in its length and width. The appearance of any portion of the article between the break lines forms no part of the claimed design. The broken lines shown in the figures are for the purpose of illustrating portions of the panel for use in forming an elevated platform, and form no part of the claimed design.

**1 Claim, 10 Drawing Sheets**



(56)

**References Cited**

U.S. PATENT DOCUMENTS

5,967,262 A \* 10/1999 Krause ..... E04G 1/152  
182/222  
6,223,857 B1 \* 5/2001 Wyse ..... E04G 1/152  
182/119  
D486,244 S \* 2/2004 Yamaoka ..... D25/62  
6,745,871 B2 \* 6/2004 Armstrong ..... E04G 1/153  
182/119  
7,086,500 B2 \* 8/2006 Moss ..... E04G 1/152  
182/116

FOREIGN PATENT DOCUMENTS

AU 2005237110 A1 6/2006  
AU 2007201898 B2 5/2007  
DE 4420849 A1 12/1995  
GB 554193 A 10/1942  
GB 760119 A 10/1956  
GB 2291919 A 2/1996  
WO WO 2005019564 A1 3/2005

\* cited by examiner

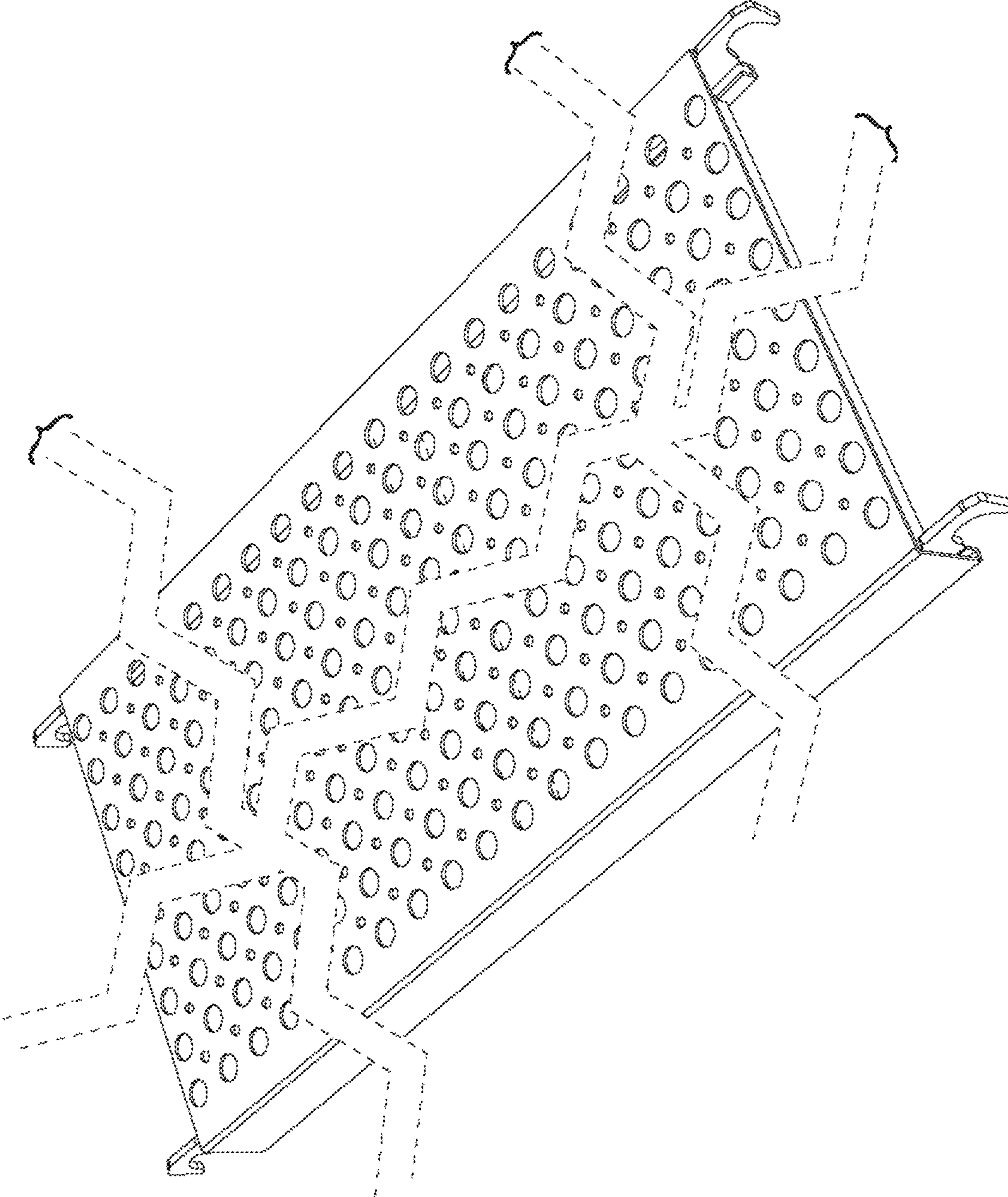


FIG. 1



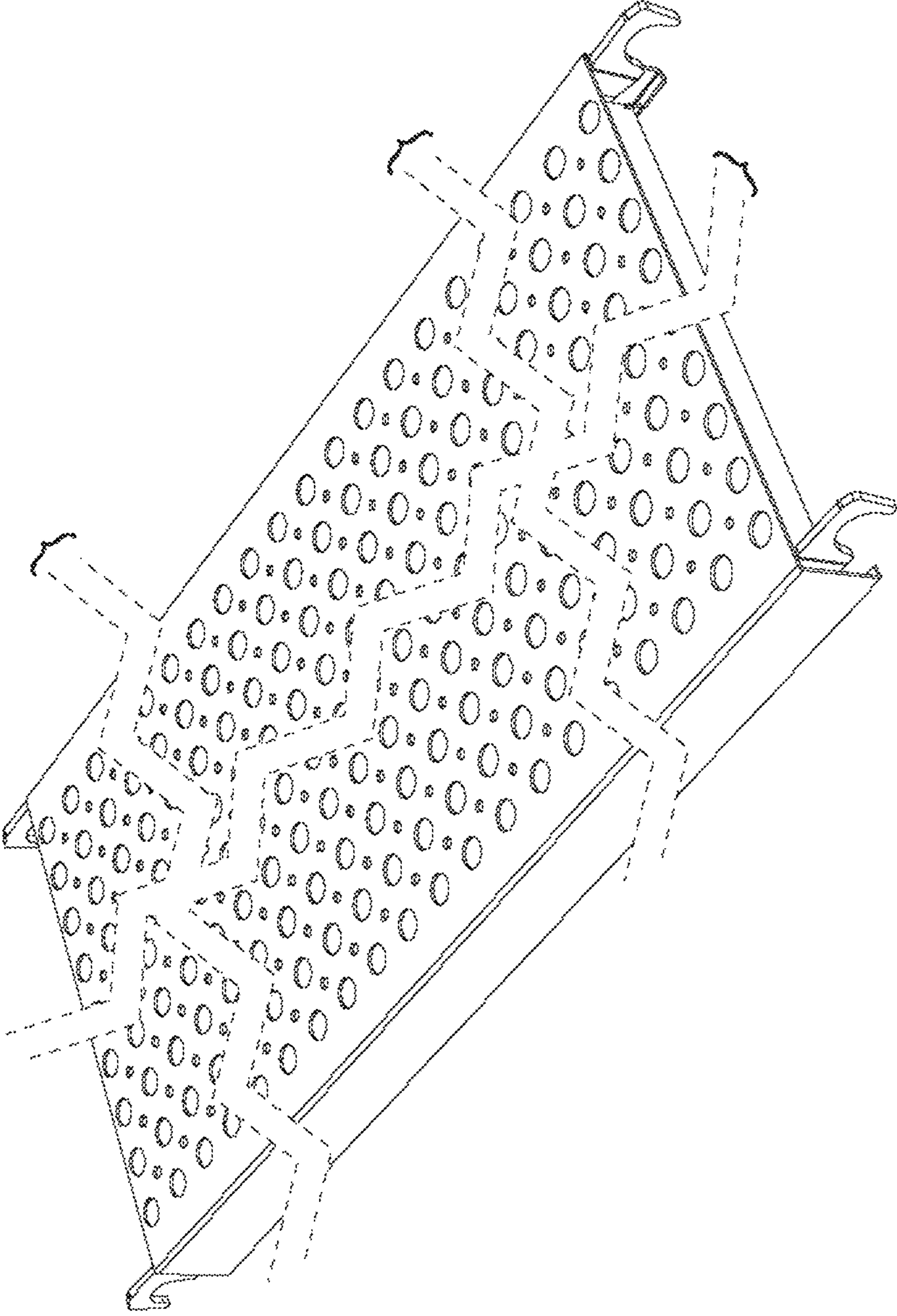


FIG. 2

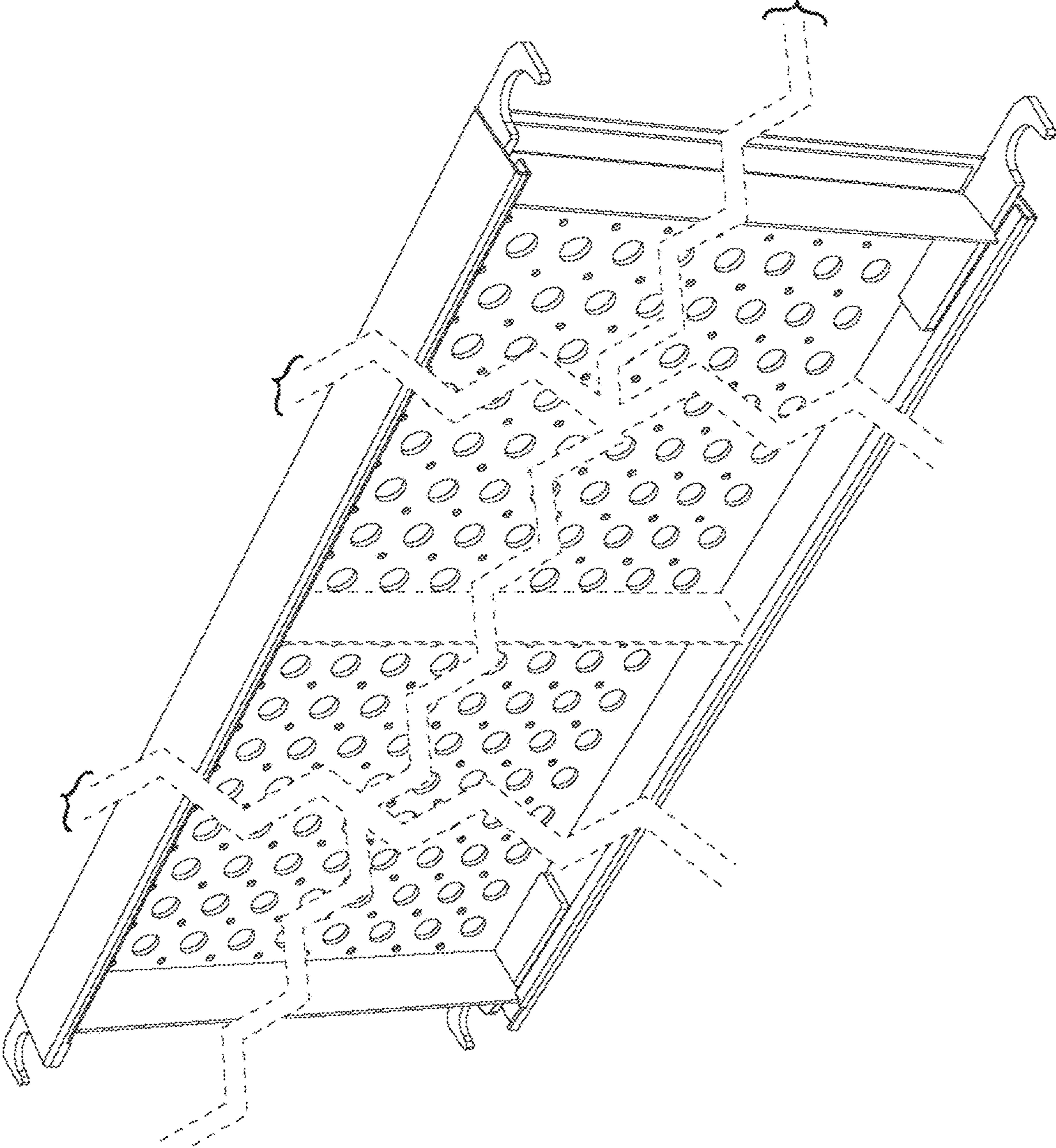


FIG. 3

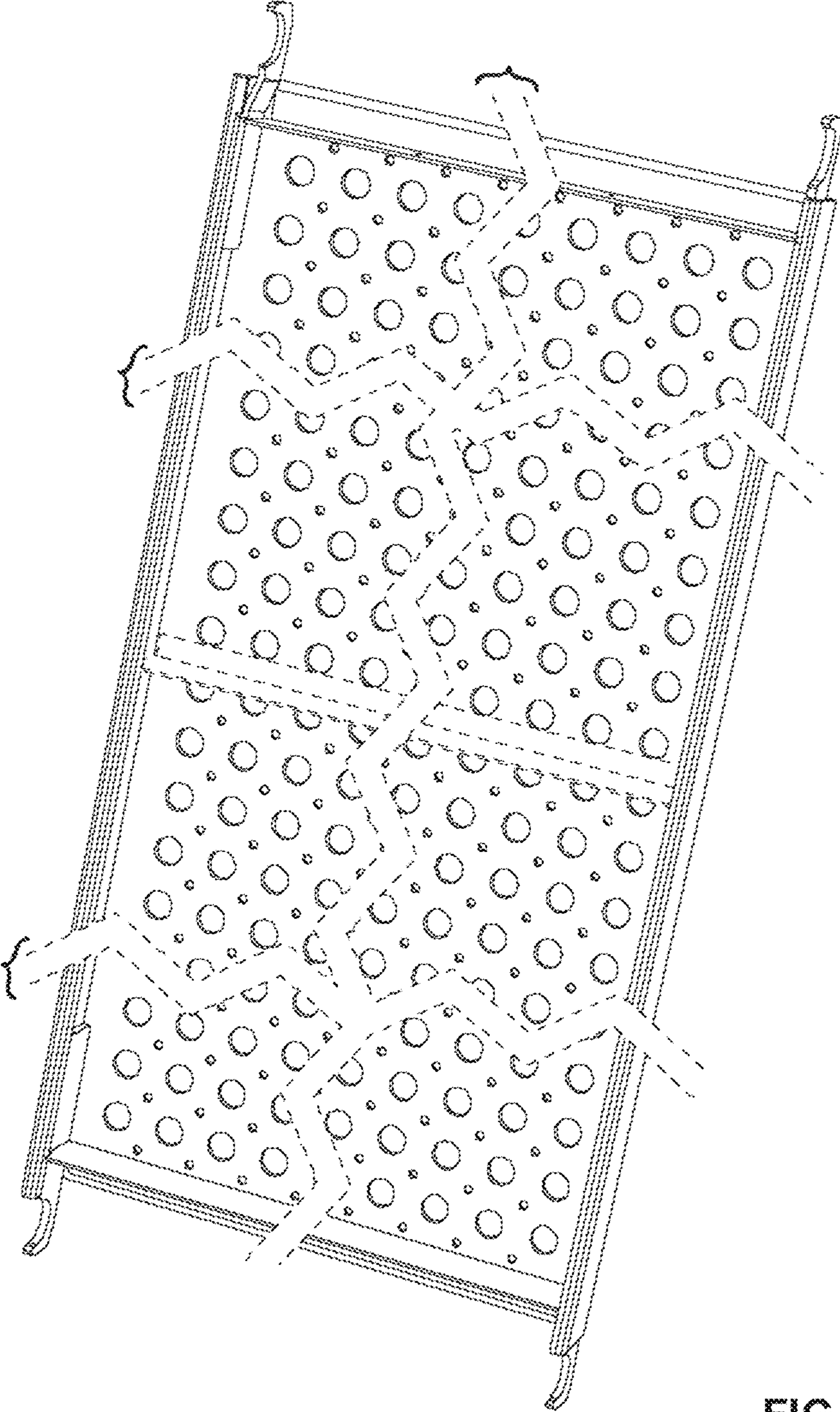


FIG. 4



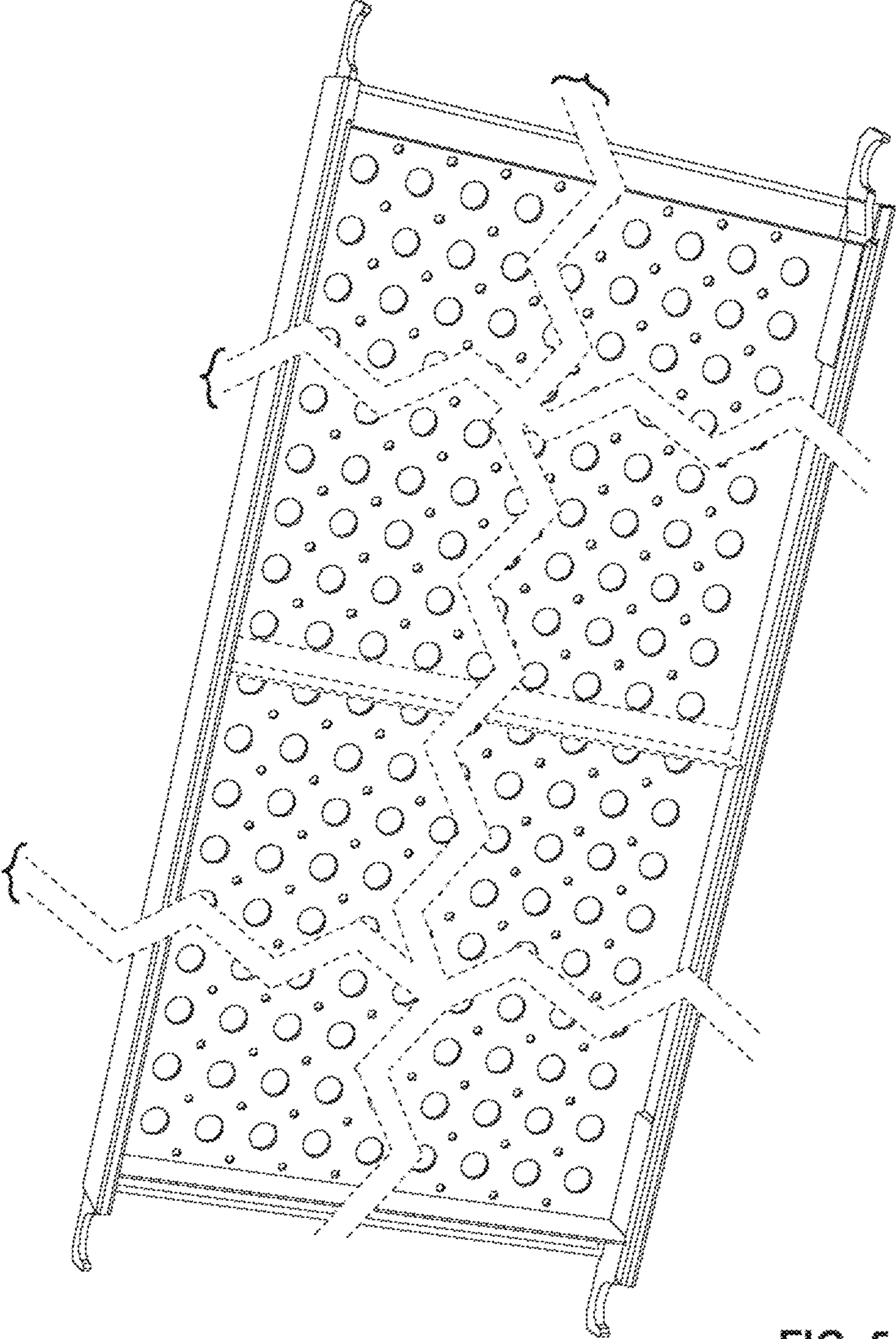


FIG. 5

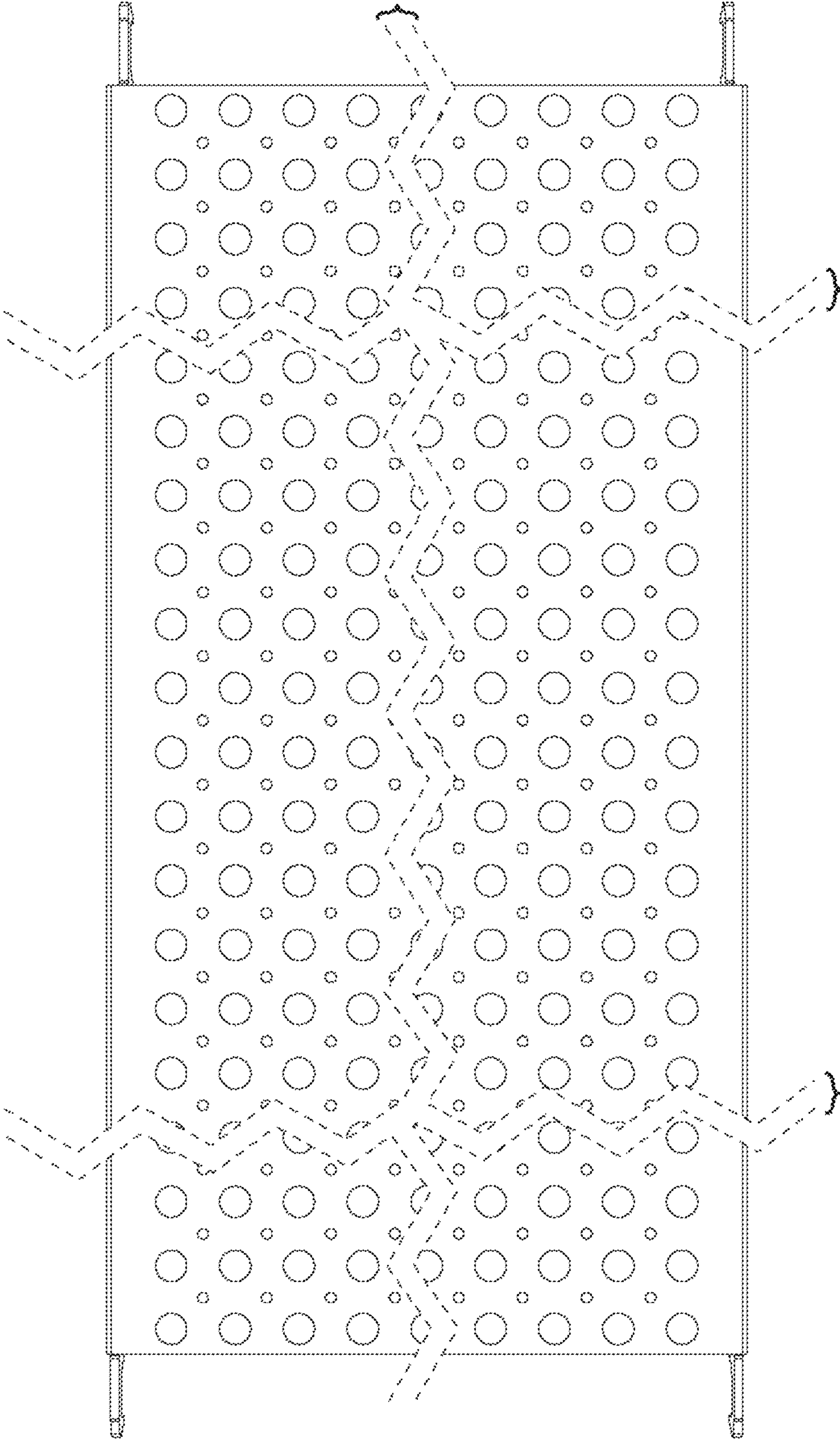


FIG. 6



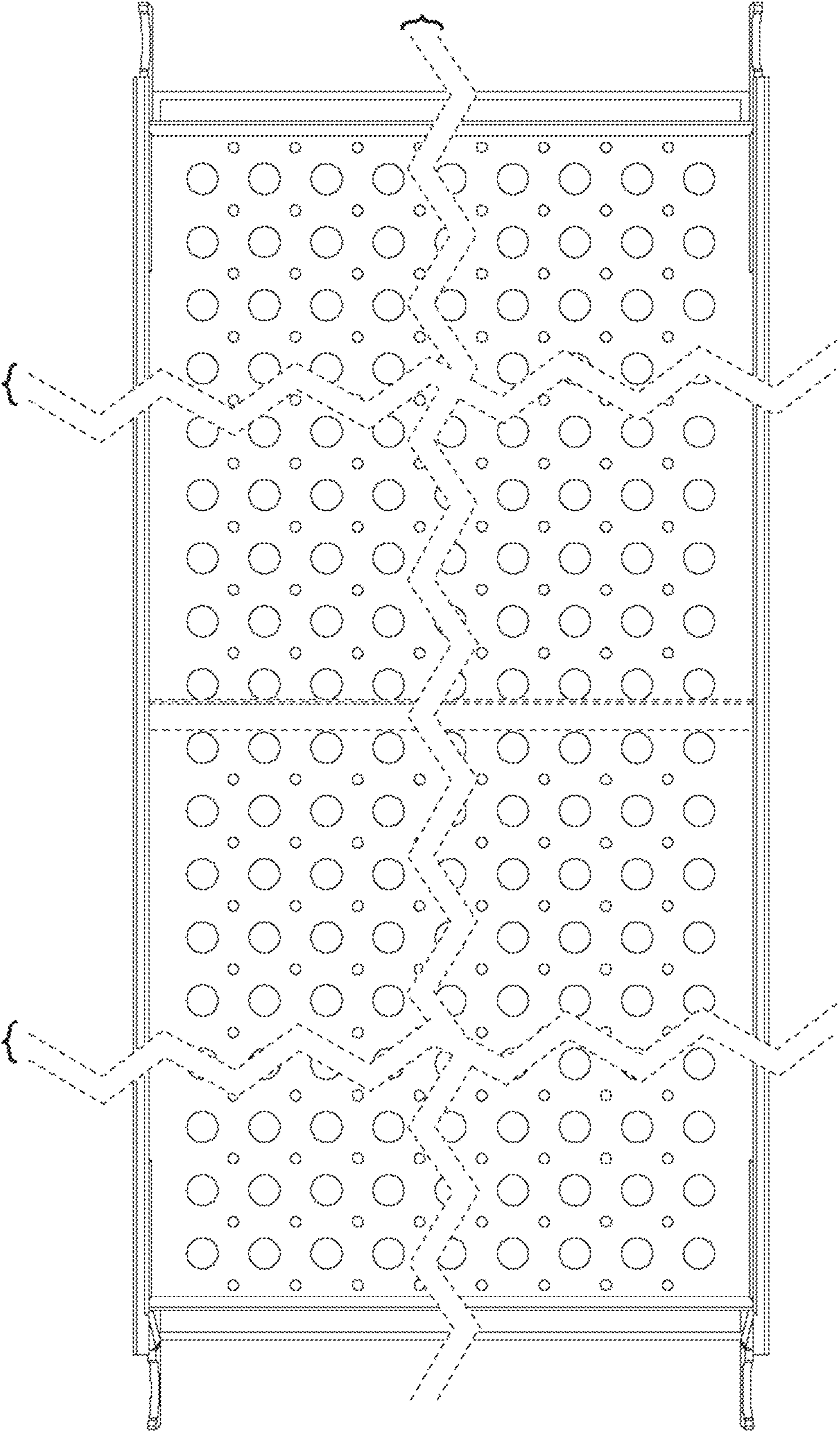


FIG. 7

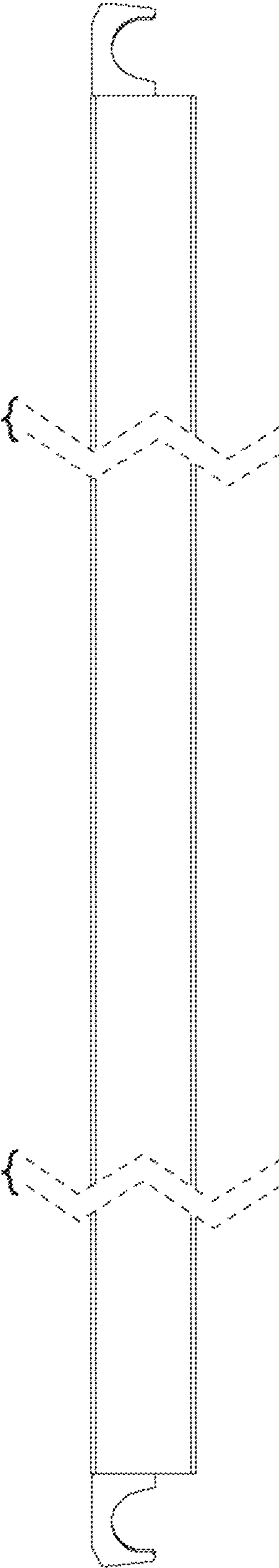


FIG. 8

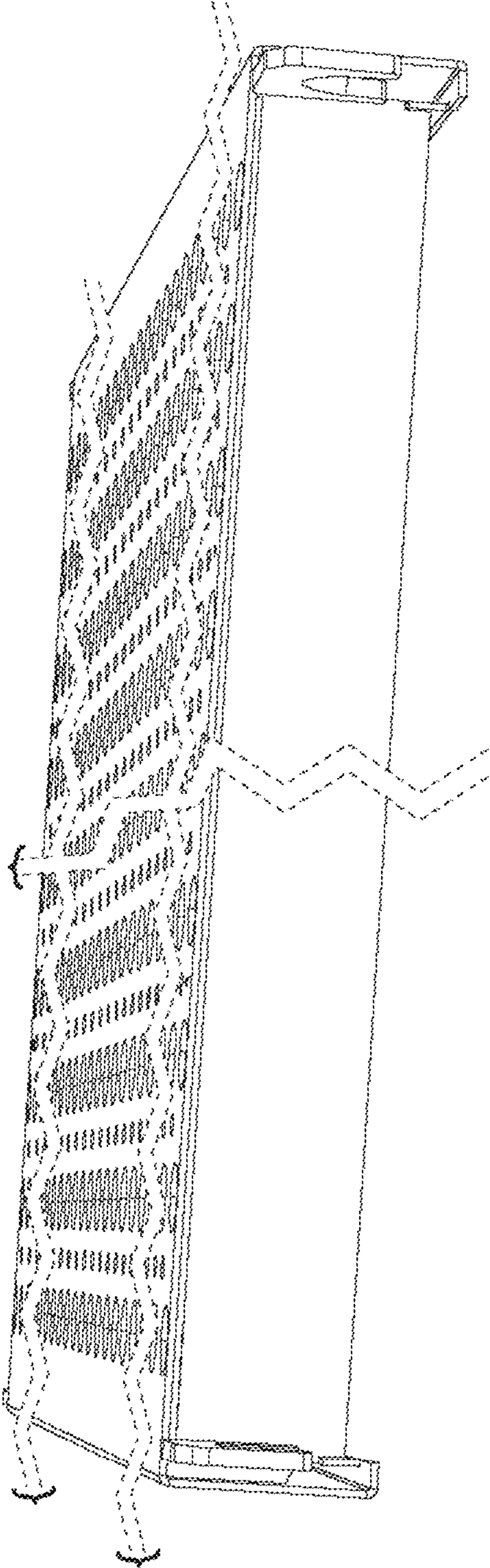


FIG. 9



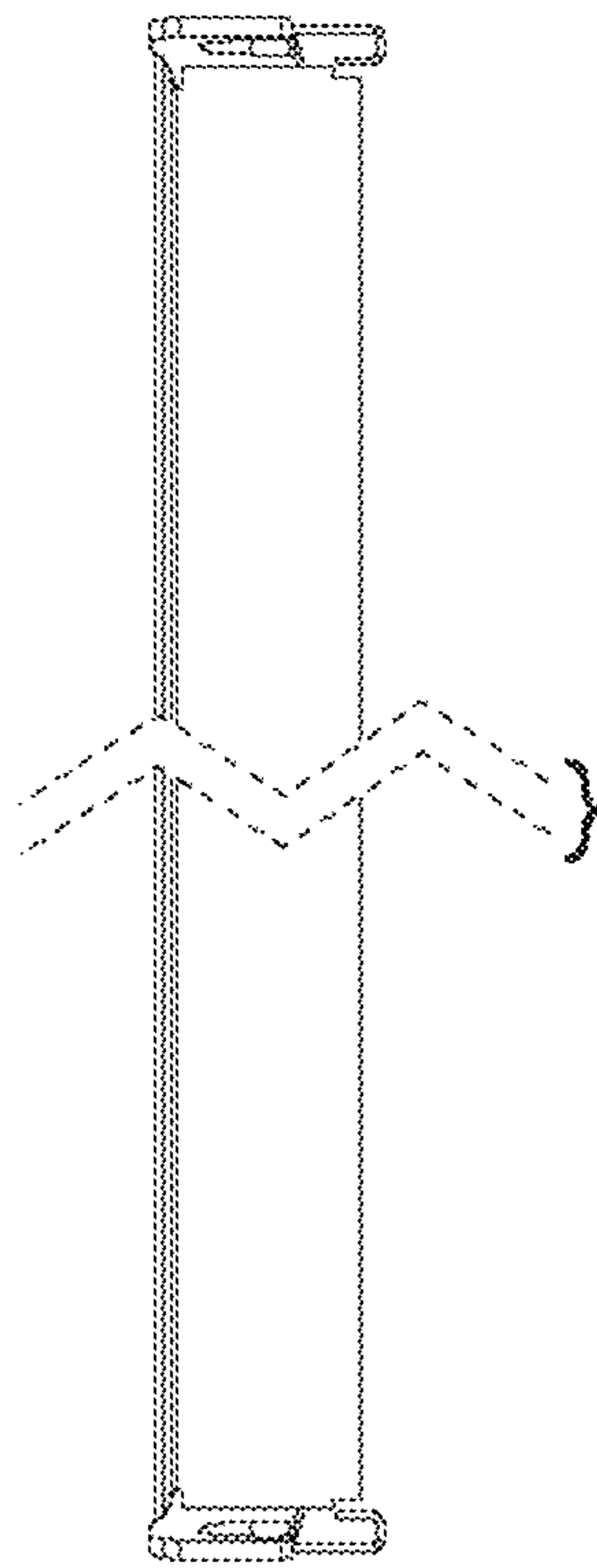


FIG. 10