



US00D934449S

(12) **United States Design Patent** (10) **Patent No.:** **US D934,449 S**  
**Melin** (45) **Date of Patent:** **\*\* Oct. 26, 2021**

(54) **ANTI FLOOD BARRIERS**

(71) Applicant: **NOAQ FLOOD PROTECTION AB,**  
Näsviken (SE)

(72) Inventor: **Sigurd Melin,** Näsviken (SE)

(73) Assignee: **NOAQ FLOOD PROTECTION AB,**  
Näsviken (SE)

(\*\*) Term: **15 Years**

(21) Appl. No.: **35/508,931**

(22) Filed: **Feb. 25, 2020**

(80) **Hague Agreement Data**

Int. Filing Date: **Feb. 25, 2020**

Int. Reg. No.: **DM/206720**

Int. Reg. Date: **Feb. 25, 2020**

Int. Reg. Pub. Date: **Apr. 3, 2020**

(30) **Foreign Application Priority Data**

Aug. 30, 2019 (CN) ..... 201930476003.6

Aug. 30, 2019 (CN) ..... 201930476118.5

(51) **LOC (13) Cl.** ..... **25-02**

(52) **U.S. Cl.**  
USPC ..... **D25/38.1**

(58) **Field of Classification Search**

USPC ..... D25/38.1, 58, 119, 125, 126, 136, 158,  
D25/163, 164, 199; D10/113.3;  
D15/150, 152, 199

CPC ..... B01D 15/3804; B01D 15/327; B01D  
15/363; B01D 2313/143; B01D 2313/146;  
B01D 2315/10; B01D 2317/025; B01D  
2317/06; B01D 61/142; B01D 61/145;  
B01D 63/082; C02F 1/56; C02F 11/121;  
C02F 1/444; C02F 1/5236; C02F 1/5245;  
C02F 1/66; C02F 1/722; C02F 2101/101;  
C02F 2103/20; C02F 2209/005; C02F  
2209/02; C02F 2209/04; C02F 2209/06;  
C02F 2209/11; C02F 2209/40; C02F  
2303/04; C02F 3/28; C02F 9/00; E04H  
1/1272

See application file for complete search history.

(56) **References Cited**

U.S. PATENT DOCUMENTS

D498,163 S \* 11/2004 Brown ..... D10/113.3  
D614,984 S \* 5/2010 Christensen ..... D10/113.3  
D631,977 S \* 2/2011 Taylor ..... D25/38.1  
D634,443 S \* 3/2011 Taylor ..... D25/38.1  
D696,791 S \* 12/2013 Taylor ..... D25/38.1

(Continued)

*Primary Examiner* — Khawaja Anwar

(74) *Attorney, Agent, or Firm* — Fox Rothschild LLP

(57) **CLAIM**

The ornamental design for anti flood barriers, as shown and described.

**DESCRIPTION**

1.-2. Anti flood barriers

**1.1** is a perspective view of an anti flood barrier showing the first embodiment of my new design;

**1.2** is a side elevation view theorem;

**1.3** is a another side elevation view thereof;

**1.4** is a front elevation view thereof;

**1.5** is a rear elevation view thereof;

**1.6** is a top plan view thereof; and

**1.7** is a bottom plan view thereof;

**2.1** is a perspective view of an anti flood barrier showing the second embodiment of my new design;

**2.2** is a side elevation view theorem;

**2.3** is a another side elevation view thereof;

**2.4** is a front elevation view thereof;

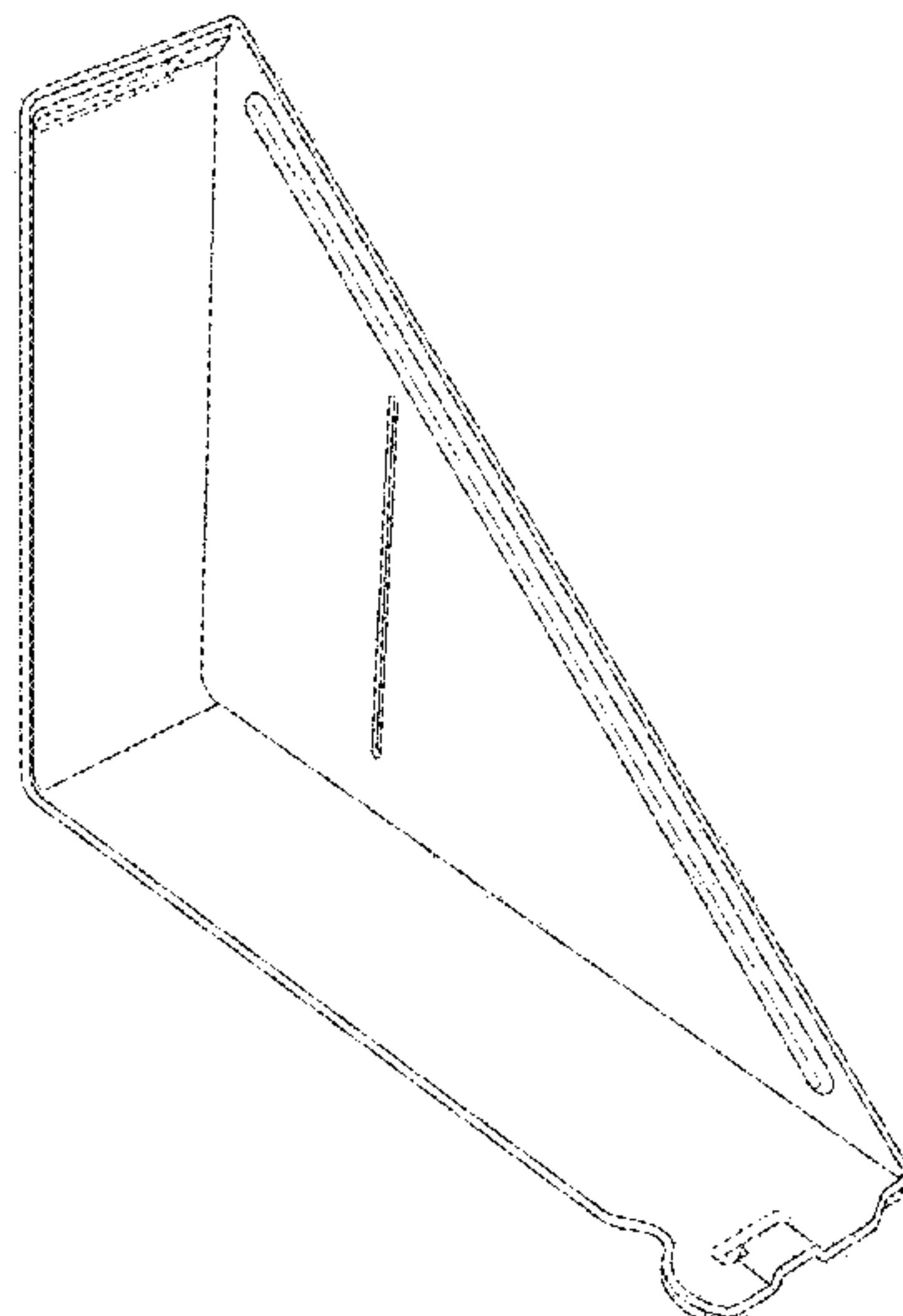
**2.5** is a rear elevation view thereof;

**2.6** is a top plan view thereof; and

**2.7** is a bottom plan view thereof.

The broken lines shown on the drawings are for the purpose of illustrating environmental structure and forms no part of the claimed design.

**1 Claim, 14 Drawing Sheets**



(56)

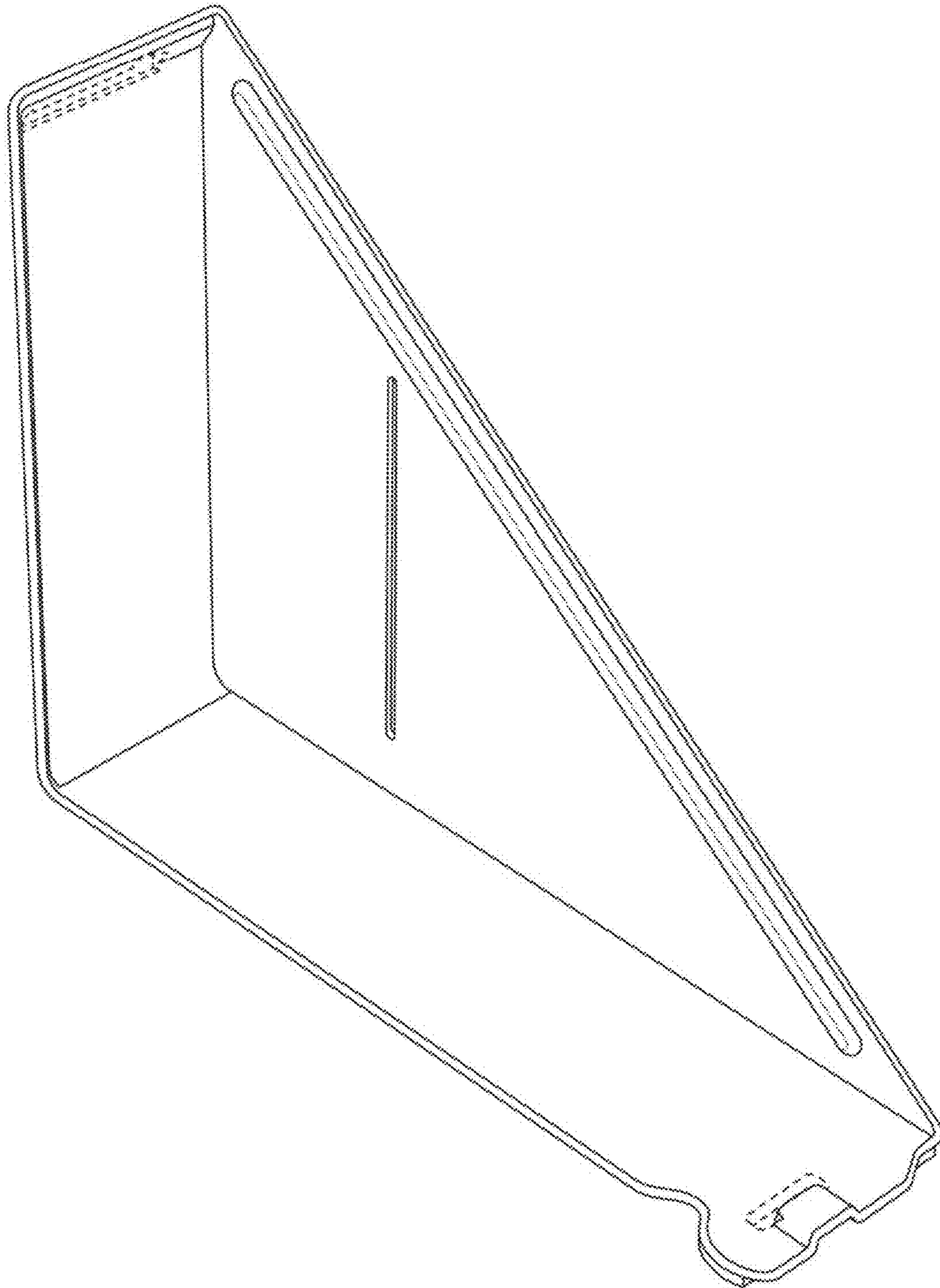
**References Cited**

U.S. PATENT DOCUMENTS

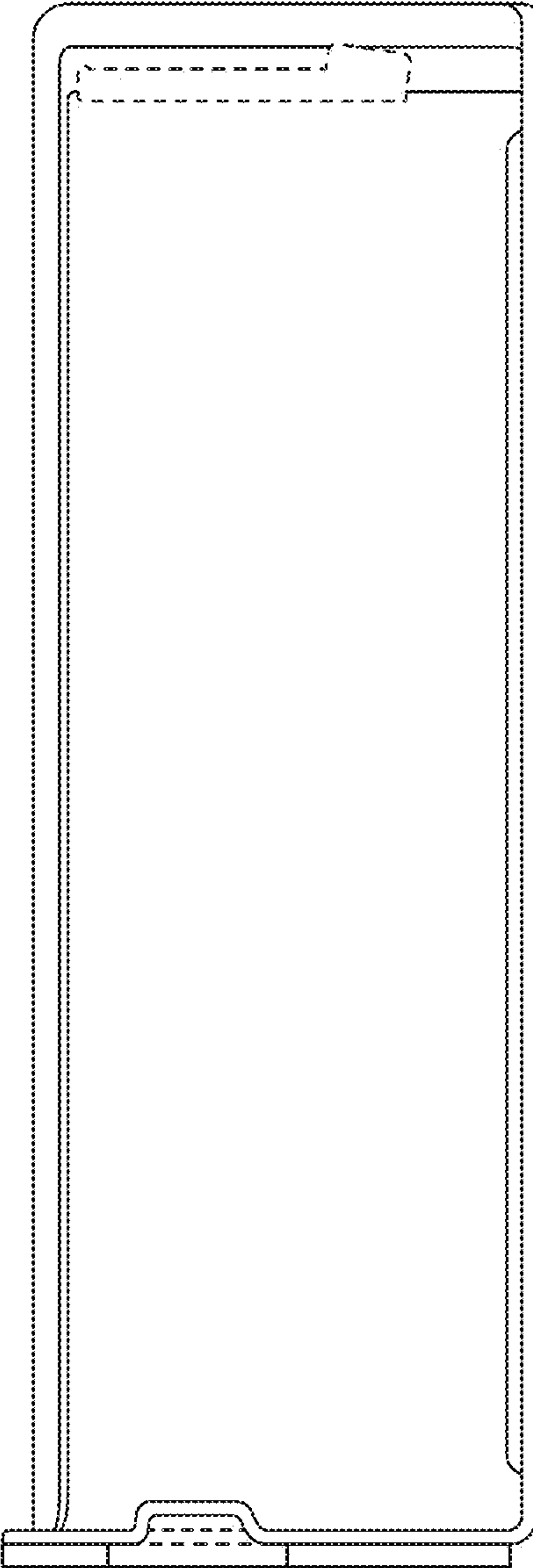
D722,386 S \* 2/2015 Phelps ..... D25/38.1  
D776,298 S \* 1/2017 Melin ..... D25/38.1  
D850,662 S \* 6/2019 Noel ..... D25/199  
D887,020 S \* 6/2020 Phelps ..... D25/38.1  
2003/0081998 A1 \* 5/2003 Yodock, III ..... E01F 15/083  
404/6  
2003/0113161 A1 \* 6/2003 Yodock, III ..... E01F 15/086  
404/6  
2004/0141807 A1 \* 7/2004 Yodock, Jr. .... E01F 15/083  
404/6  
2006/0201943 A1 \* 9/2006 Uffner ..... B60B 33/08  
220/23.83  
2007/0009326 A1 \* 1/2007 Javanbakhsh ..... E02B 3/106  
405/114  
2008/0286041 A1 \* 11/2008 Yodock, Jr. .... E01F 15/086  
404/6  
2010/0111602 A1 \* 5/2010 Yodock, III ..... E01F 15/088  
404/6  
2010/0150667 A1 \* 6/2010 Phelps ..... E02B 3/108  
405/284

\* cited by examiner

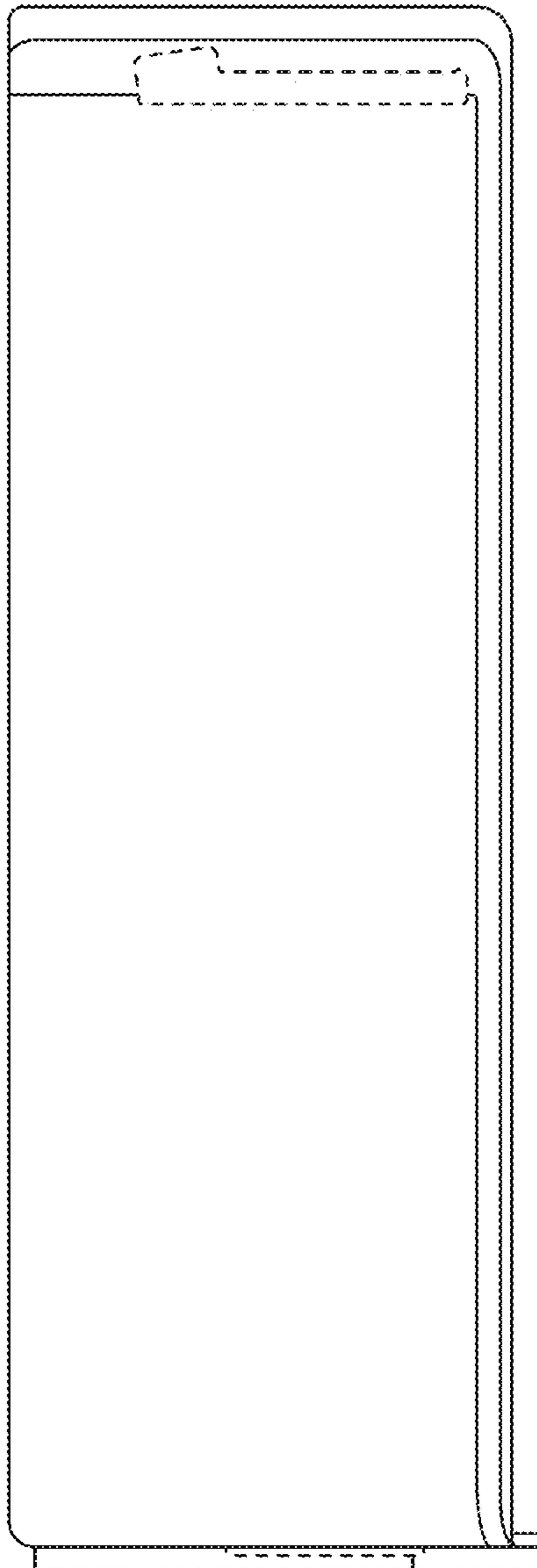
1.1

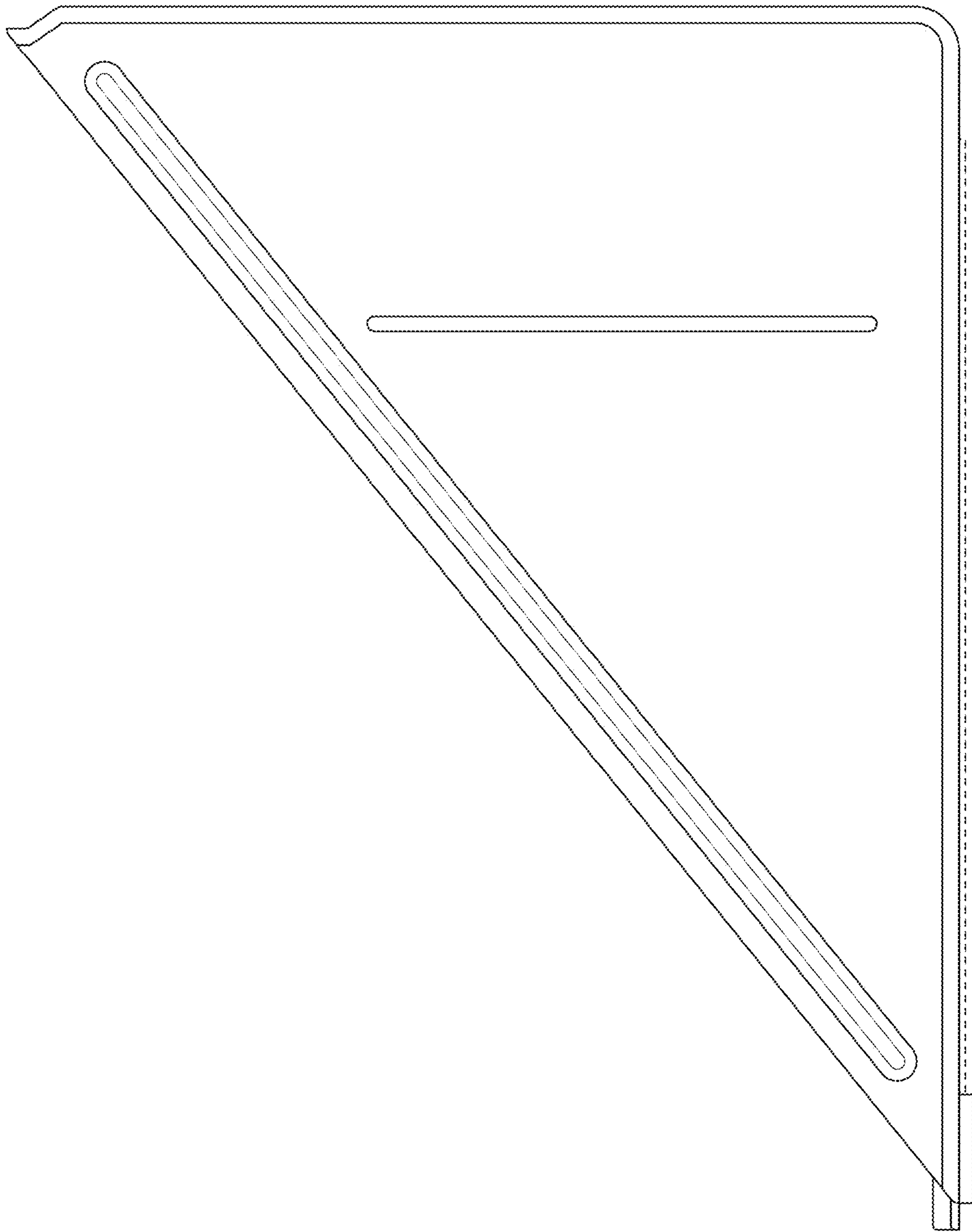


1.2



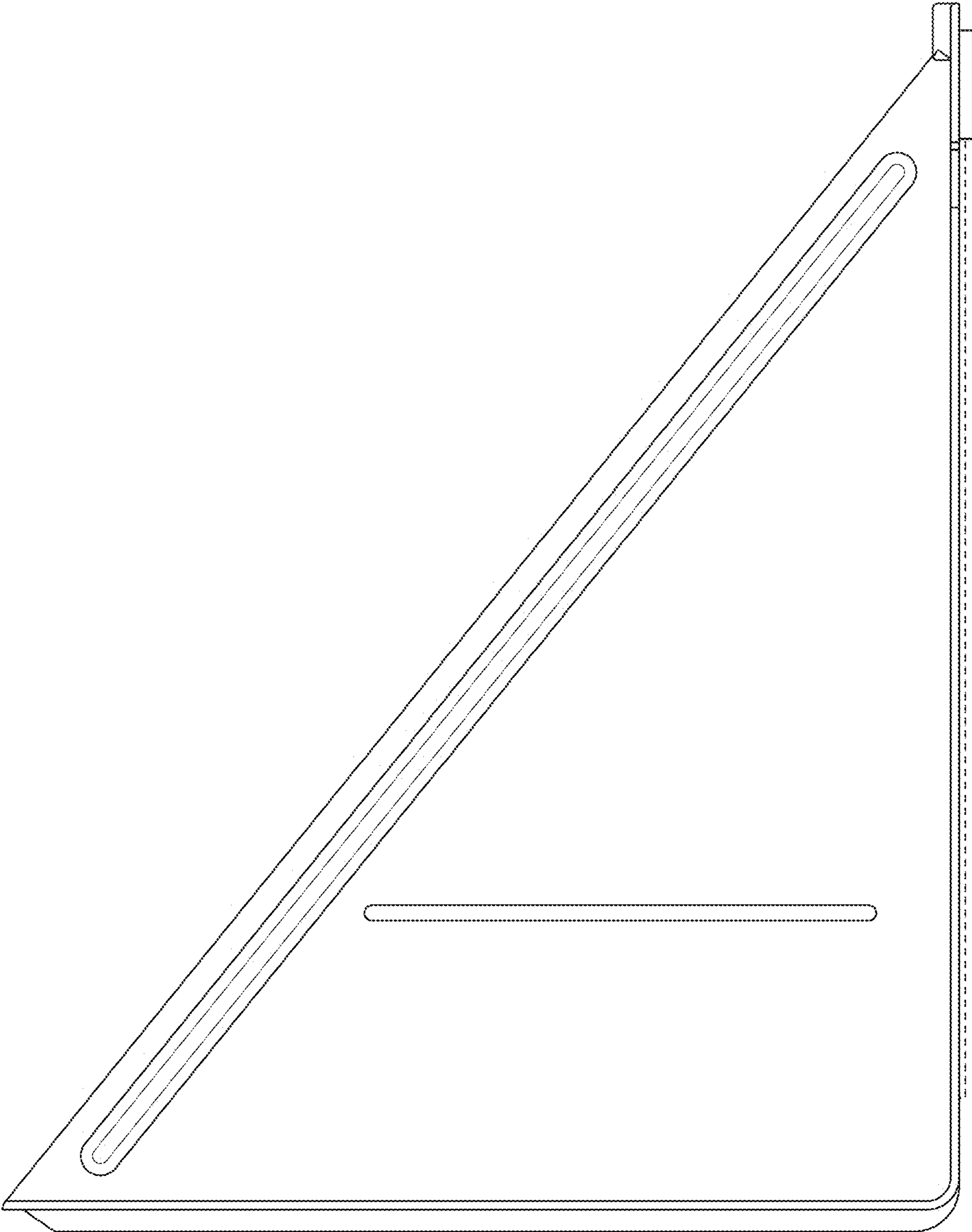
1.3





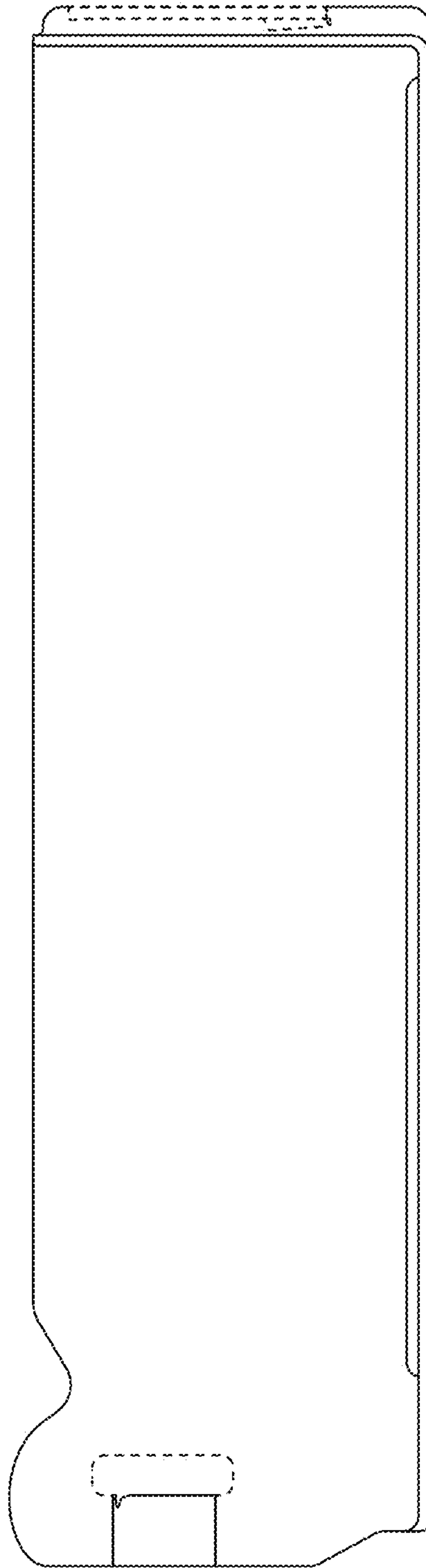
1.4





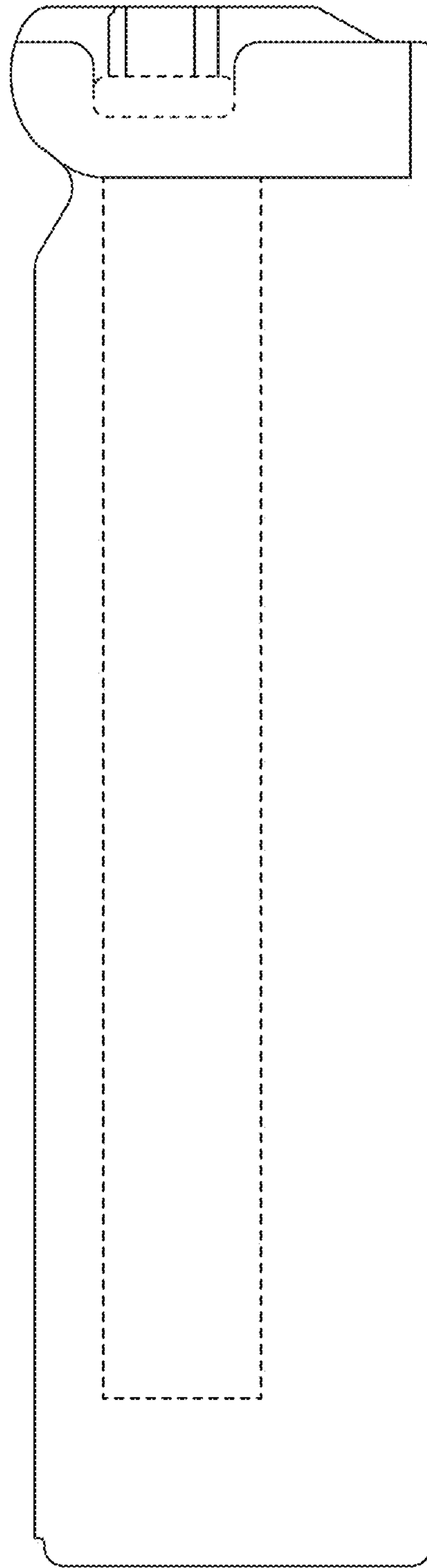
1.5

1.6

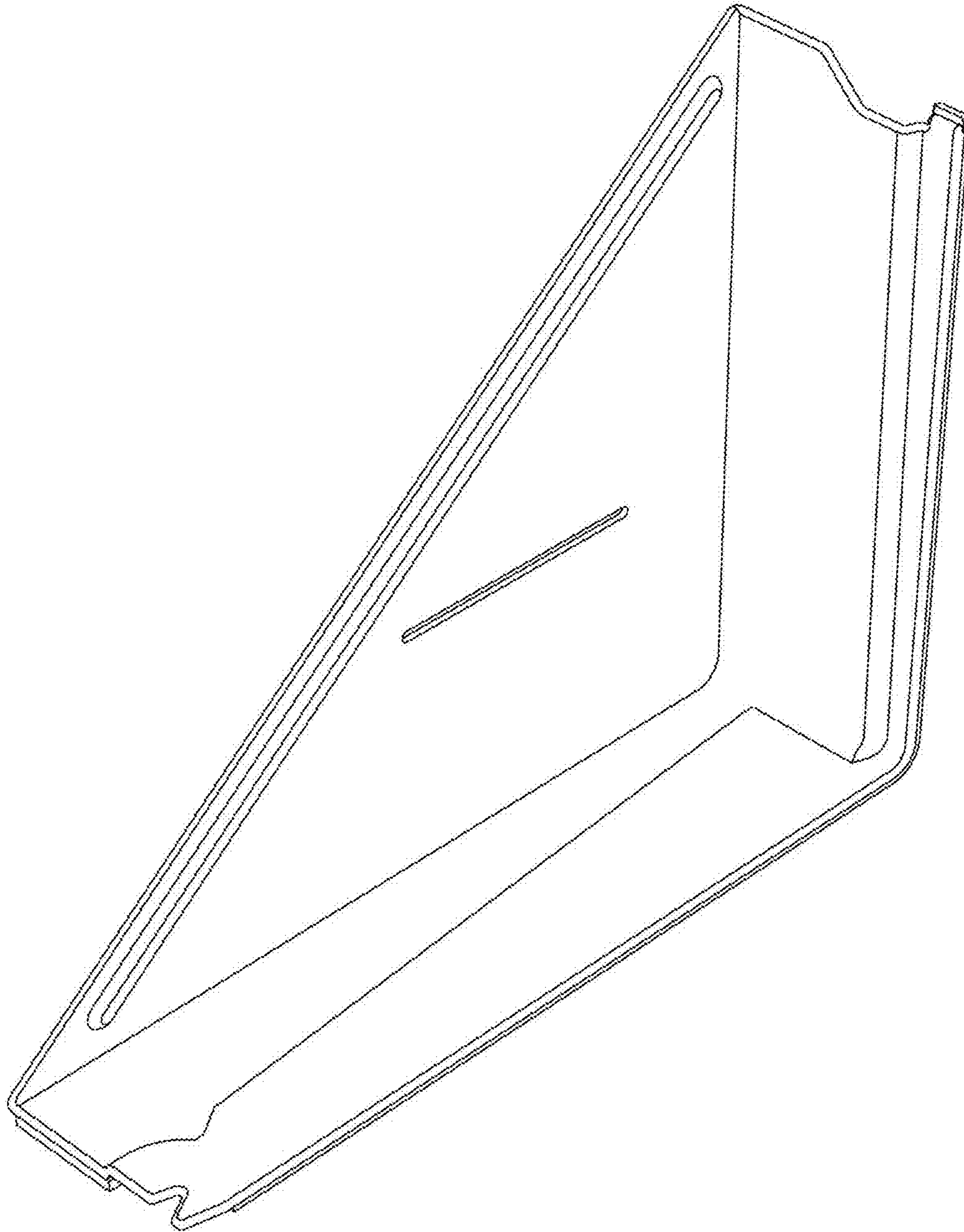




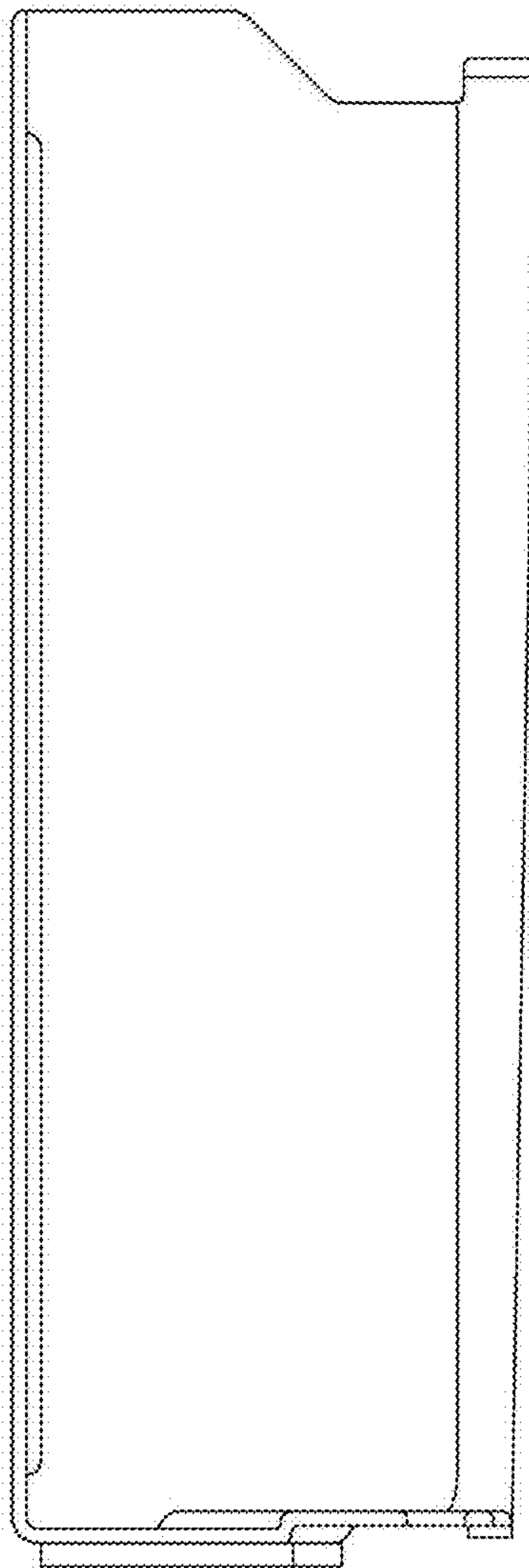
1.7



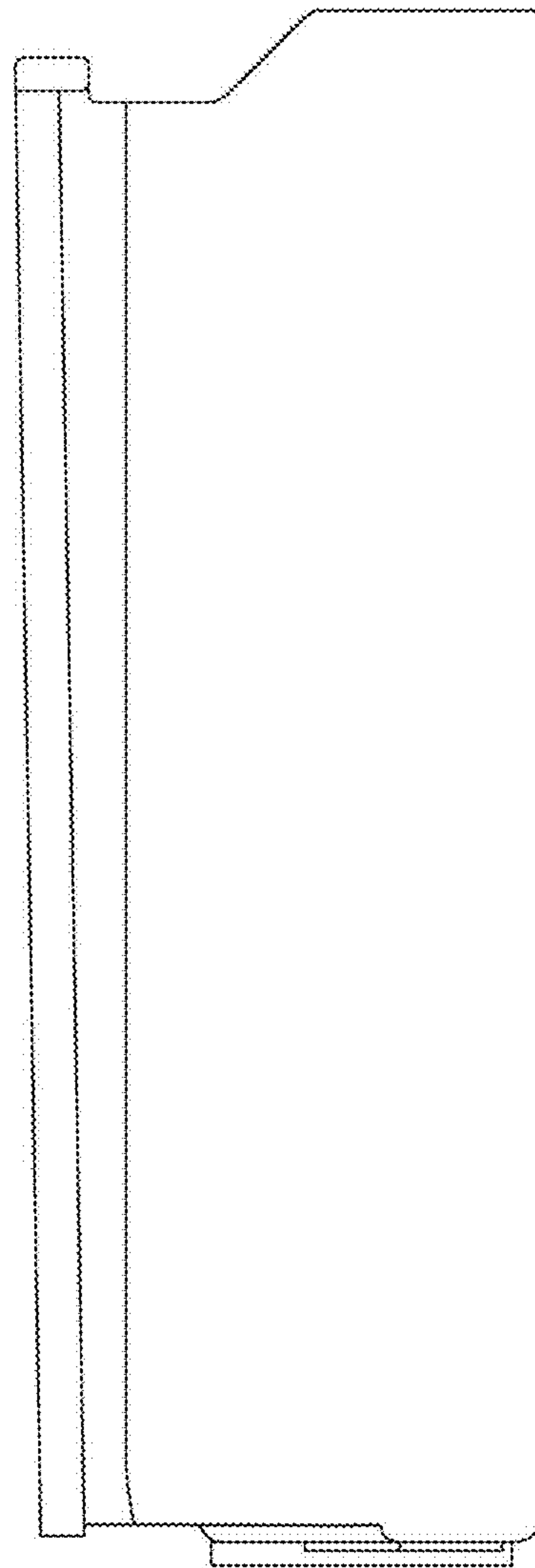
2.1

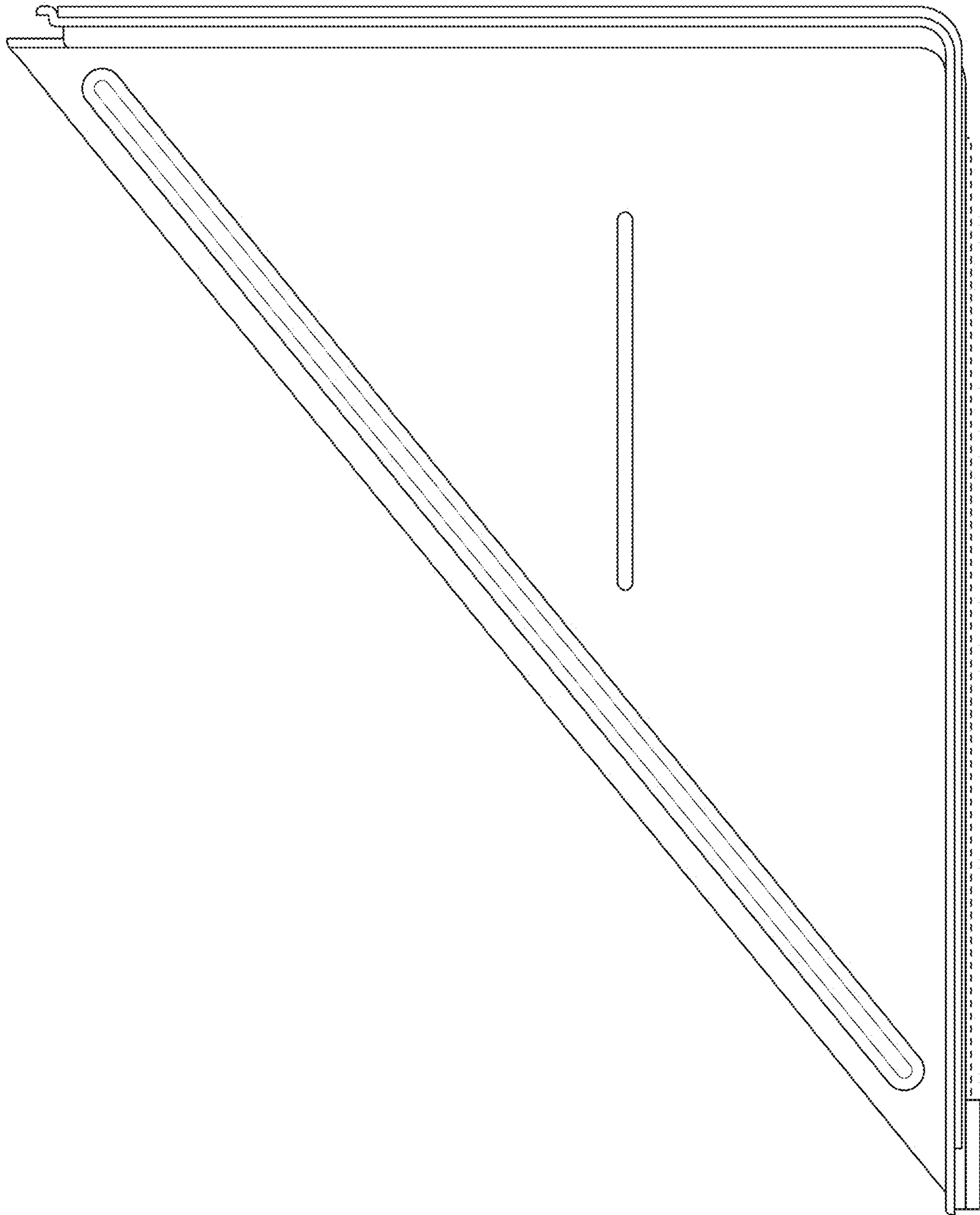


2.2

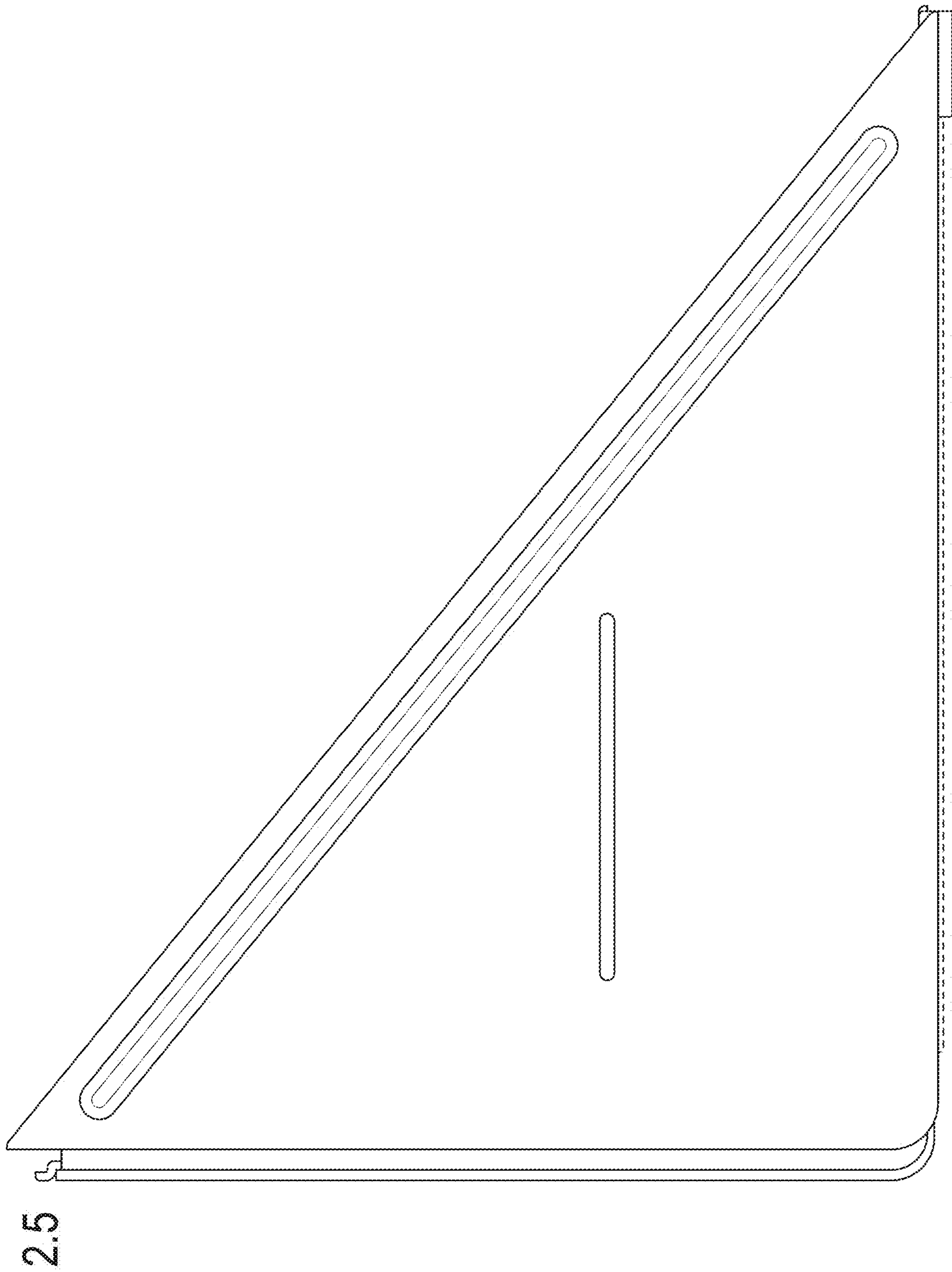


2.3



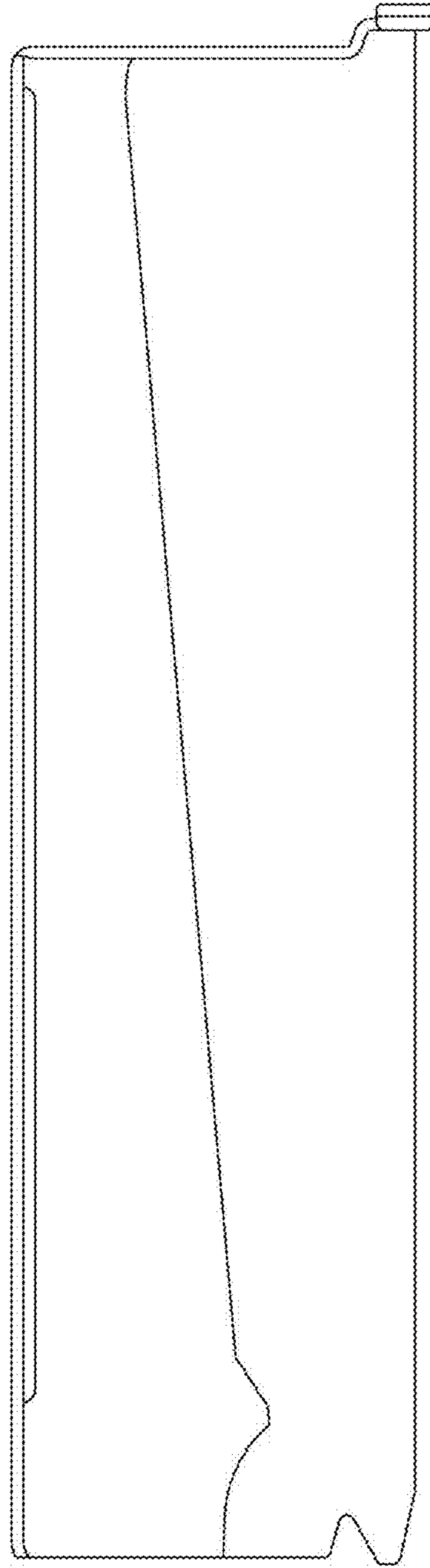


2.4





2.6



2.7

