



US00D934448S

(12) **United States Design Patent**  
**Marsh**

(10) **Patent No.:** **US D934,448 S**

(45) **Date of Patent:** **\*\* Oct. 26, 2021**

(54) **MOBILE HORSE STABLE**

(71) Applicant: **Anthony Marsh**, Nottinghamshire (GB)

(72) Inventor: **Anthony Marsh**, Nottinghamshire (GB)

(\*\*) Term: **15 Years**

(21) Appl. No.: **29/686,814**

(22) Filed: **Apr. 8, 2019**

(51) **LOC (13) Cl.** ..... **25-03**

(52) **U.S. Cl.**  
USPC ..... **D25/18**

(58) **Field of Classification Search**

USPC ..... D25/1, 3-35, 56, 58, 59, 61  
CPC ..... E04H 1/00-06; E04H 6/08; E04H 6/10;  
E04H 3/02-10; E04H 5/08; E04B 1/32;  
E04B 1/3205

See application file for complete search history.

(56) **References Cited**

**U.S. PATENT DOCUMENTS**

- 1,981,417 A \* 11/1934 Kreutzer ..... E04H 5/08  
119/449
- 3,443,344 A \* 5/1969 Williams, Jr. .... E04B 1/34378  
D25/27
- 4,055,030 A \* 10/1977 Earnshaw ..... A01G 9/14  
D25/15
- 4,723,383 A \* 2/1988 Jenn ..... E04B 7/107  
D25/17
- D385,042 S \* 10/1997 Cooke ..... D25/1
- D397,800 S \* 9/1998 Acevedo-Arjona ..... D25/18
- D490,535 S \* 5/2004 Reyes ..... D25/25
- D630,767 S \* 1/2011 Teuffel ..... D25/27
- D808,040 S \* 1/2018 Gill ..... D25/18
- D844,169 S \* 3/2019 Schlagelberger ..... D25/18

- 2008/0283107 A1\* 11/2008 Hotes ..... E04H 15/18  
135/124
- 2010/0146789 A1\* 6/2010 Anderson ..... E04B 1/3205  
29/897.32
- 2015/0275502 A1\* 10/2015 Guo ..... E04B 1/3205  
52/86

**OTHER PUBLICATIONS**

SUBAU—Modular Stable System, 2005, Hrabal Architektur, <https://www.hrabal-architektur.at/en/projects/business/saubau-modular-stable-system/> (Year: 2005).\*

Ecker Architekten, Hangar XS, 2014, Archdaily, [https://www.archdaily.com/529760/hangar-xs-ecker-architekten?ad\\_source=search&ad\\_medium=search\\_result\\_projects](https://www.archdaily.com/529760/hangar-xs-ecker-architekten?ad_source=search&ad_medium=search_result_projects) (Year: 2014).\*

\* cited by examiner

*Primary Examiner* — Brett Miller

(74) *Attorney, Agent, or Firm* — Mark Terry

(57) **CLAIM**

The ornamental design for a mobile horse stable, as shown and described.

**DESCRIPTION**

FIG. 1 is a front view of a mobile horse stable, showing the new design;

FIG. 2 is a top view thereof;

FIG. 3 is a left side view thereof;

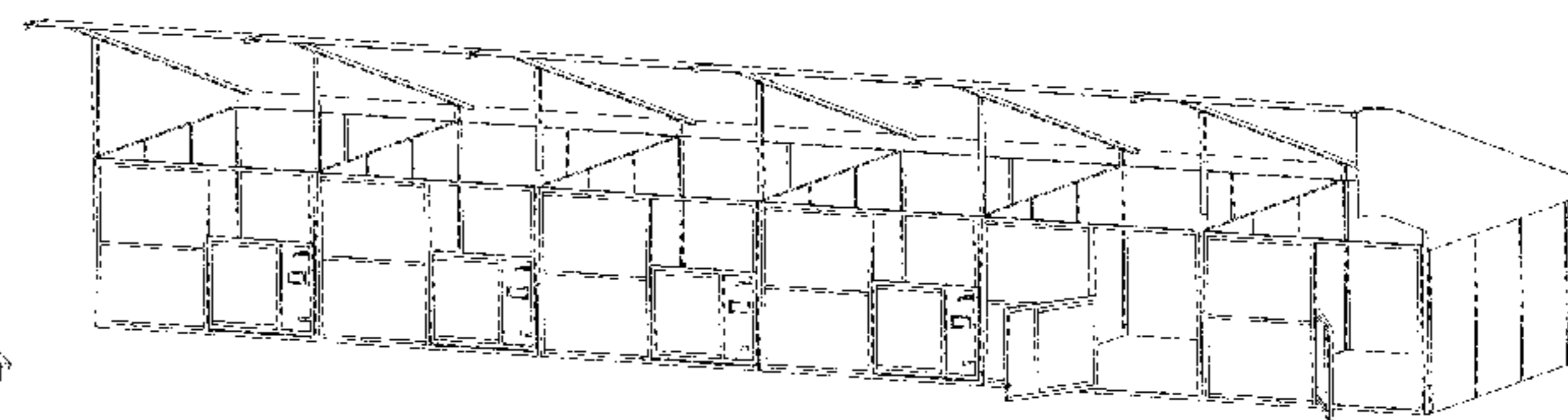
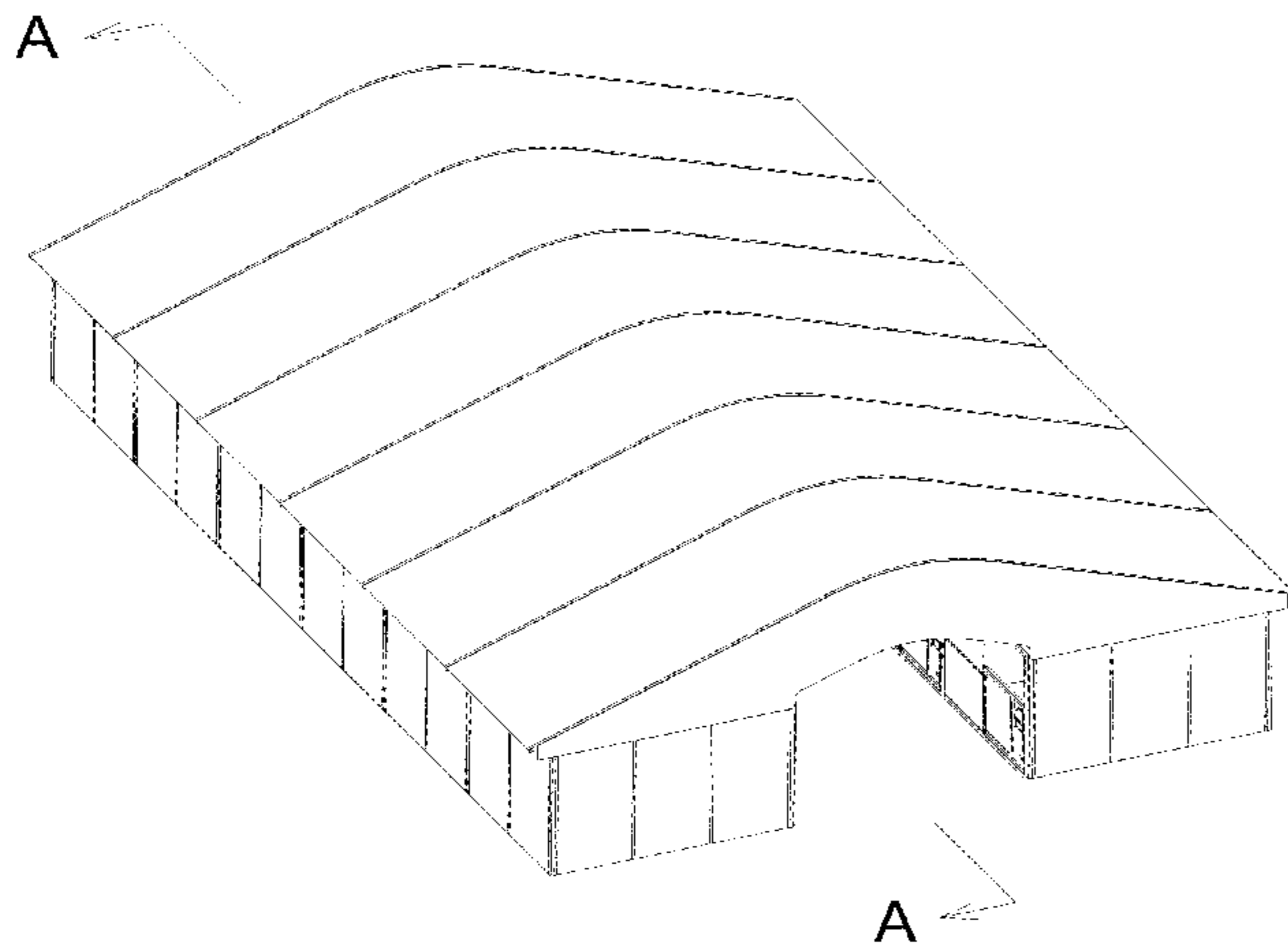
FIG. 4 is a left side cross-sectional view thereof, wherein the cross-section is taken along A;

FIG. 5 is a top perspective view thereof;

FIG. 6 is a left side perspective cross-sectional view thereof, wherein the cross-section is taken along A; and,

FIG. 7 is a top perspective cross-sectional view thereof, wherein the cross section is taken along A.

**1 Claim, 4 Drawing Sheets**



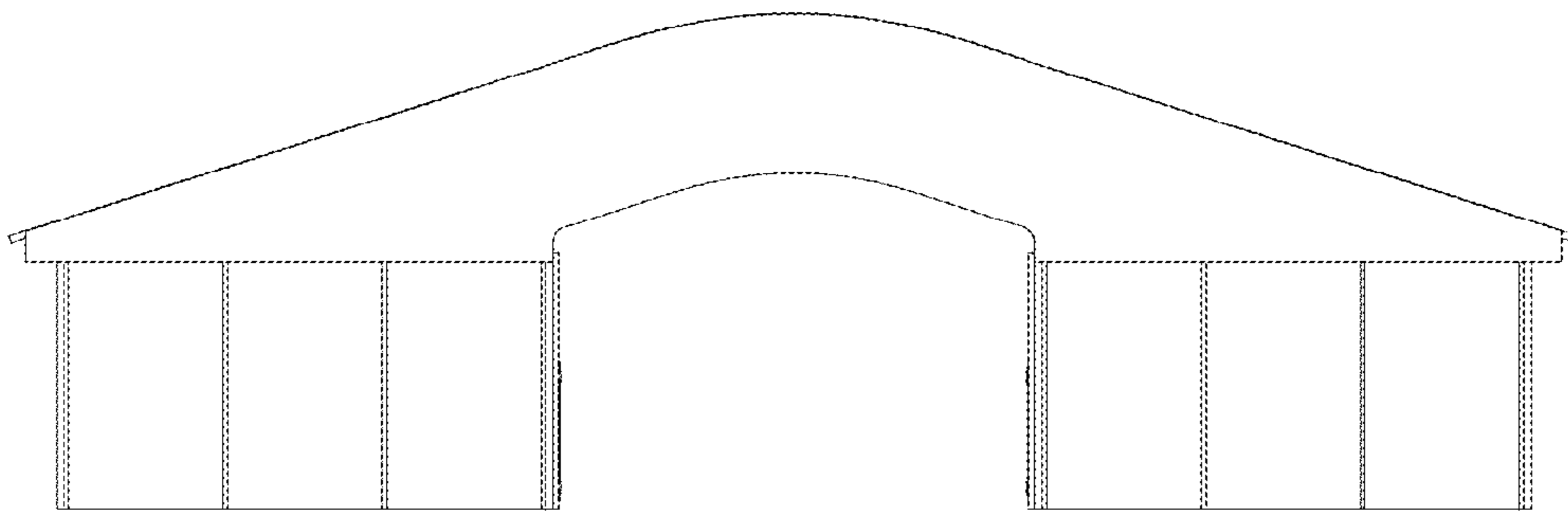


Fig. 1

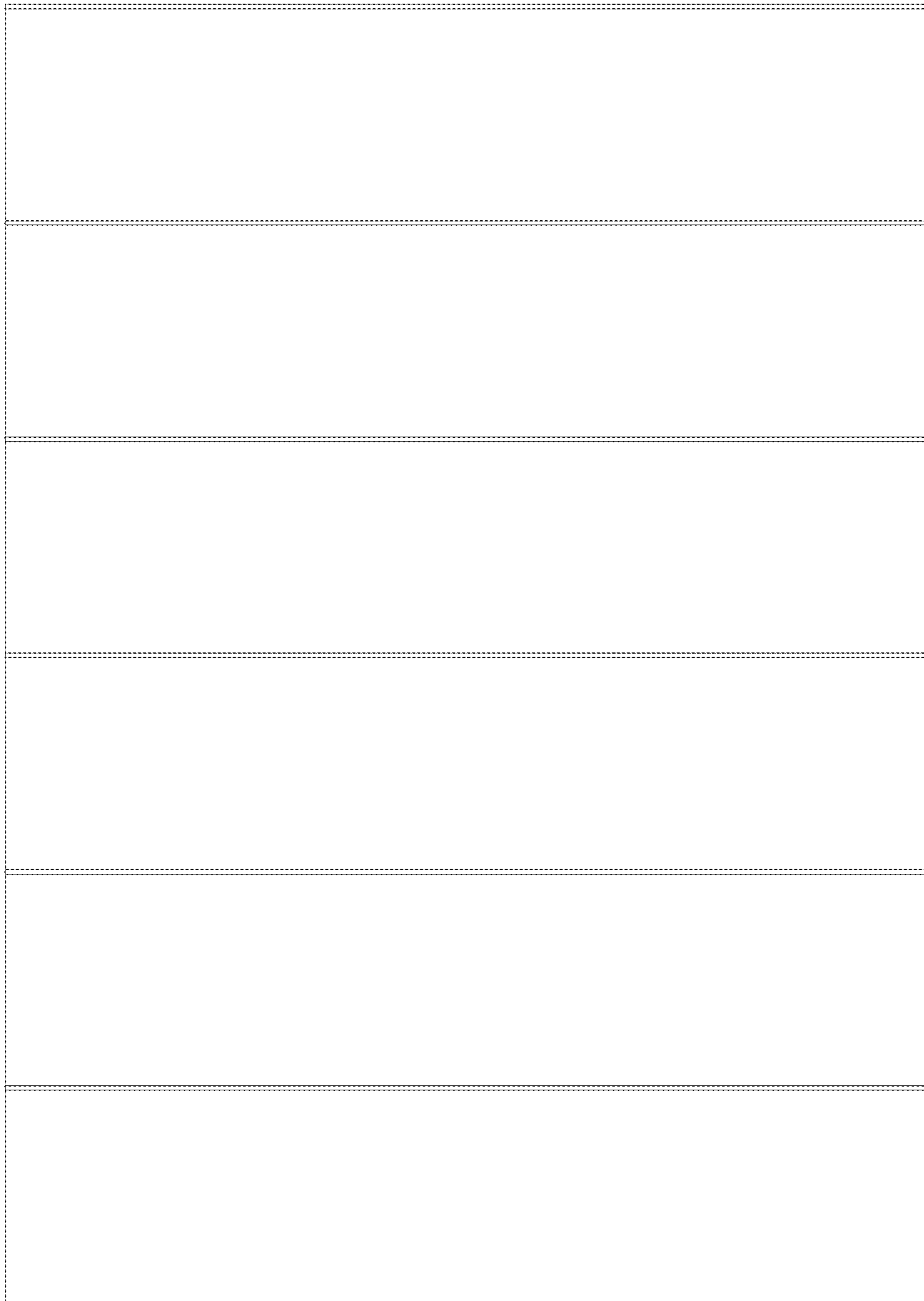


Fig. 2

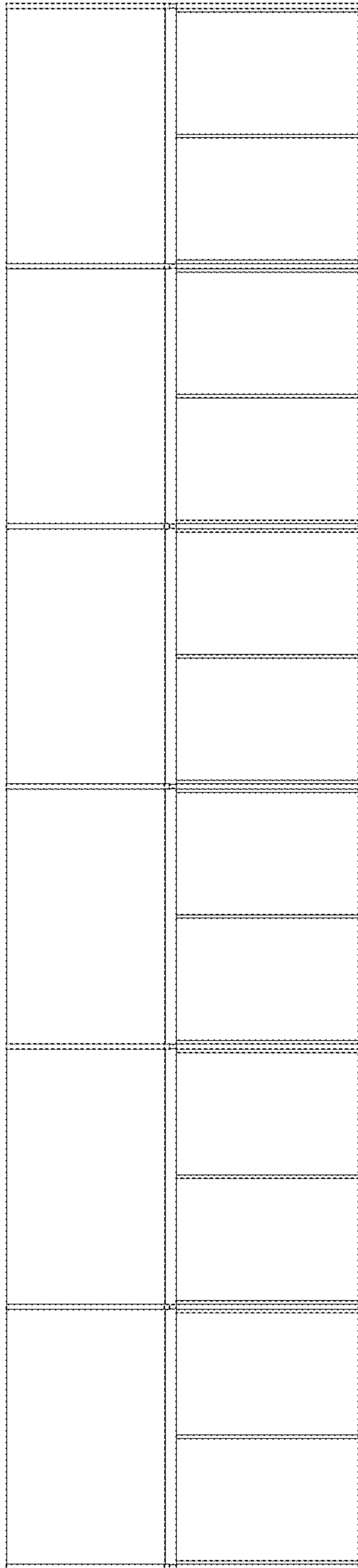


Fig. 3

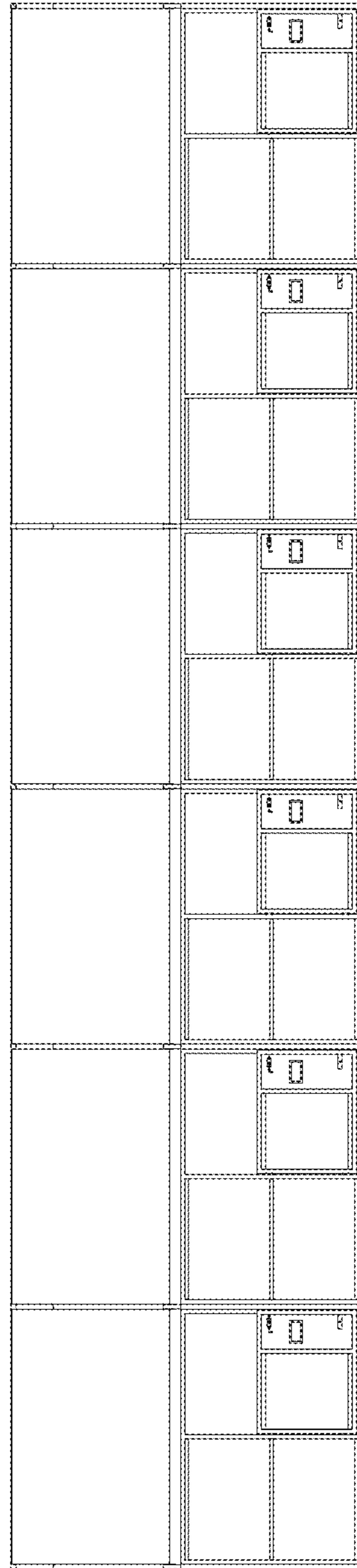


Fig. 4

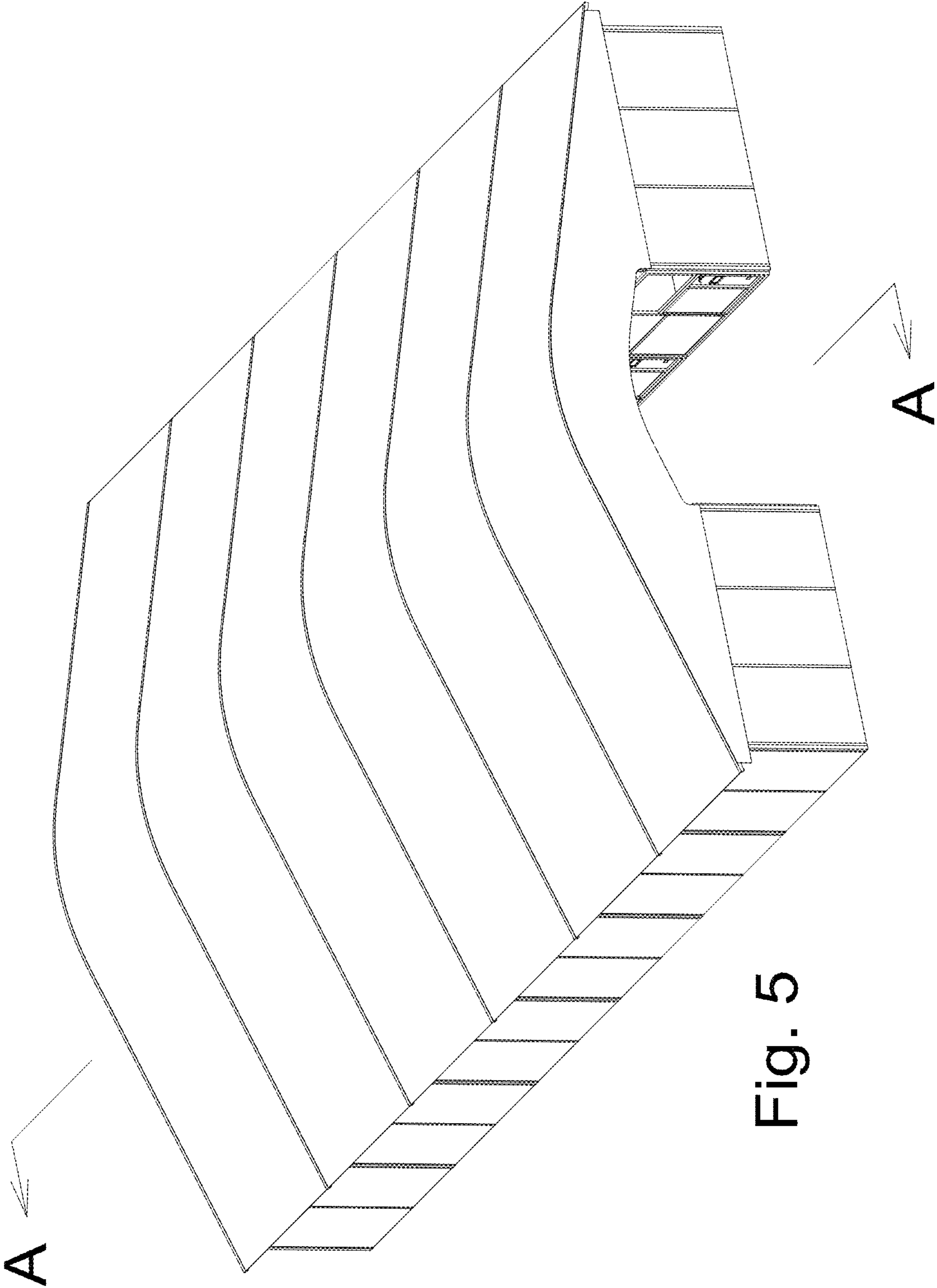


Fig. 5

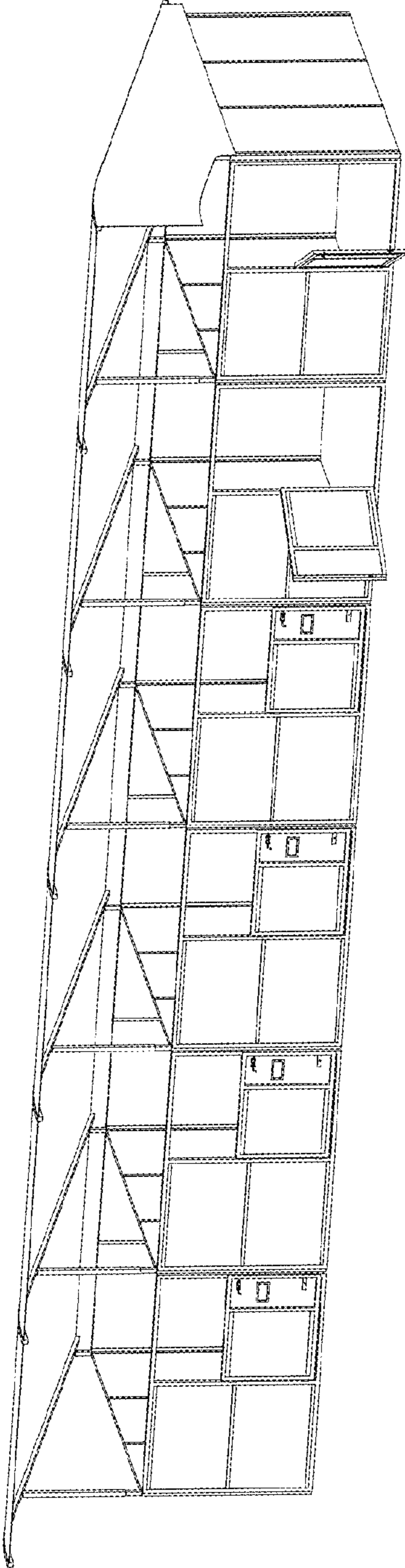


Fig. 6

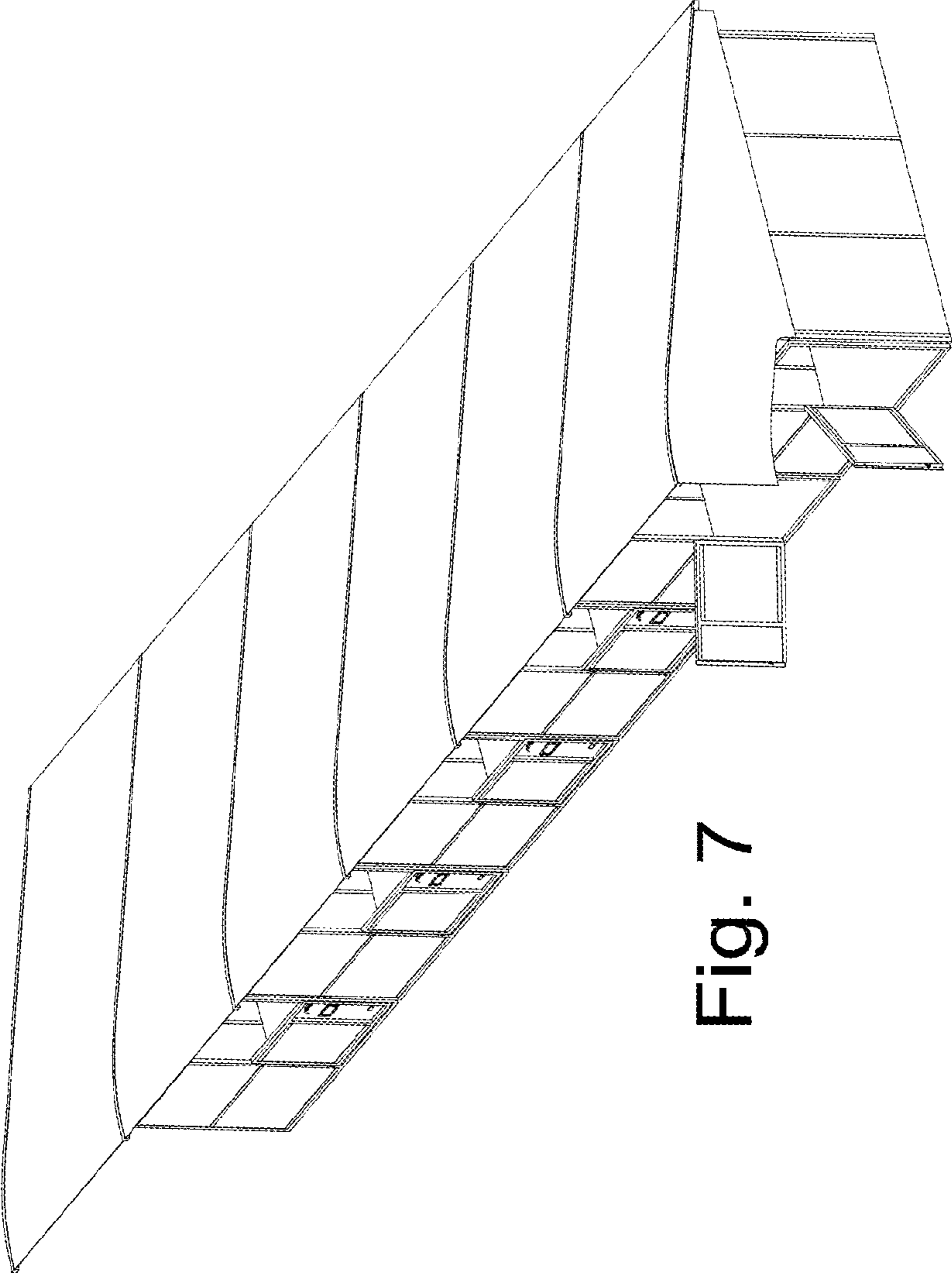


Fig. 7