



US00D934446S

(12) **United States Design Patent** (10) **Patent No.:** **US D934,446 S**
Kauffmann (45) **Date of Patent:** **** Oct. 26, 2021**

(54) **REAGENT CARTRIDGE**

(71) Applicant: **Siemens Healthcare Diagnostics Inc.**,
Tarrytown, NY (US)

(72) Inventor: **Aaron Kauffmann**, Elkhart, IN (US)

(73) Assignee: **Siemens Healthcare Diagnostics Inc.**,
Tarrytown, NY (US)

(**) Term: **15 Years**

(21) Appl. No.: **29/683,615**

(22) Filed: **Mar. 14, 2019**

(51) **LOC (13) Cl.** **24-02**

(52) **U.S. Cl.**
USPC **D24/224**

(58) **Field of Classification Search**
USPC D24/130, 169, 216–232; D14/125, 130,
D14/480.4, 497; D10/81; D21/478
CPC G01N 21/0303; G01N 21/11; B01L 3/502;
B01L 3/505; B01L 3/50273
See application file for complete search history.

(56) **References Cited**

U.S. PATENT DOCUMENTS

4,522,404 A *	6/1985	Di Gregorio	A63H 33/04 273/157 R
D371,204 S *	6/1996	Nicholson	D24/217
D413,361 S *	8/1999	Silvey	D21/478
D648,324 S *	11/2011	Medas	D14/217
D725,152 S *	3/2015	Wong	D14/496
D730,942 S *	6/2015	Wong	D14/496
D798,466 S *	9/2017	Koop	D24/220
D800,336 S *	10/2017	Chang	D24/224
D865,815 S *	11/2019	Kim	D14/497
D880,720 S *	4/2020	Ou Yang	D24/217

(Continued)

FOREIGN PATENT DOCUMENTS

JP	1332499 S	6/2008
JP	2010075072 A	4/2010

OTHER PUBLICATIONS

Duct Tape Rose Ring. Online, published date Nov. 14, 2012.
Retrieved on Aug. 26, 2020 from URL: <http://amberscraftaweek.blogspot.com/2012/11/duct-tape-rose-ring.html>.*

(Continued)

Primary Examiner — Susan Bennett Hattan

Assistant Examiner — Omeed Agilee

(74) *Attorney, Agent, or Firm* — Dunlap Coddling P.C.

(57) **CLAIM**

The ornamental design for a reagent cartridge, as shown and described.

DESCRIPTION

FIG. 1 is a perspective view of the first embodiment of a reagent cartridge showing our new design.

FIG. 2 is a top plan view thereof.

FIG. 3 is an enlarged view of the encircled portion in FIG. 1.

FIG. 4 is an enlarged view of the encircled portion of FIG. 1.

FIG. 5 is a perspective view of the second embodiment of a reagent cartridge.

FIG. 6 is a top plan view thereof.

FIG. 7 is an enlarged view of the encircled portion of FIG. 5; and,

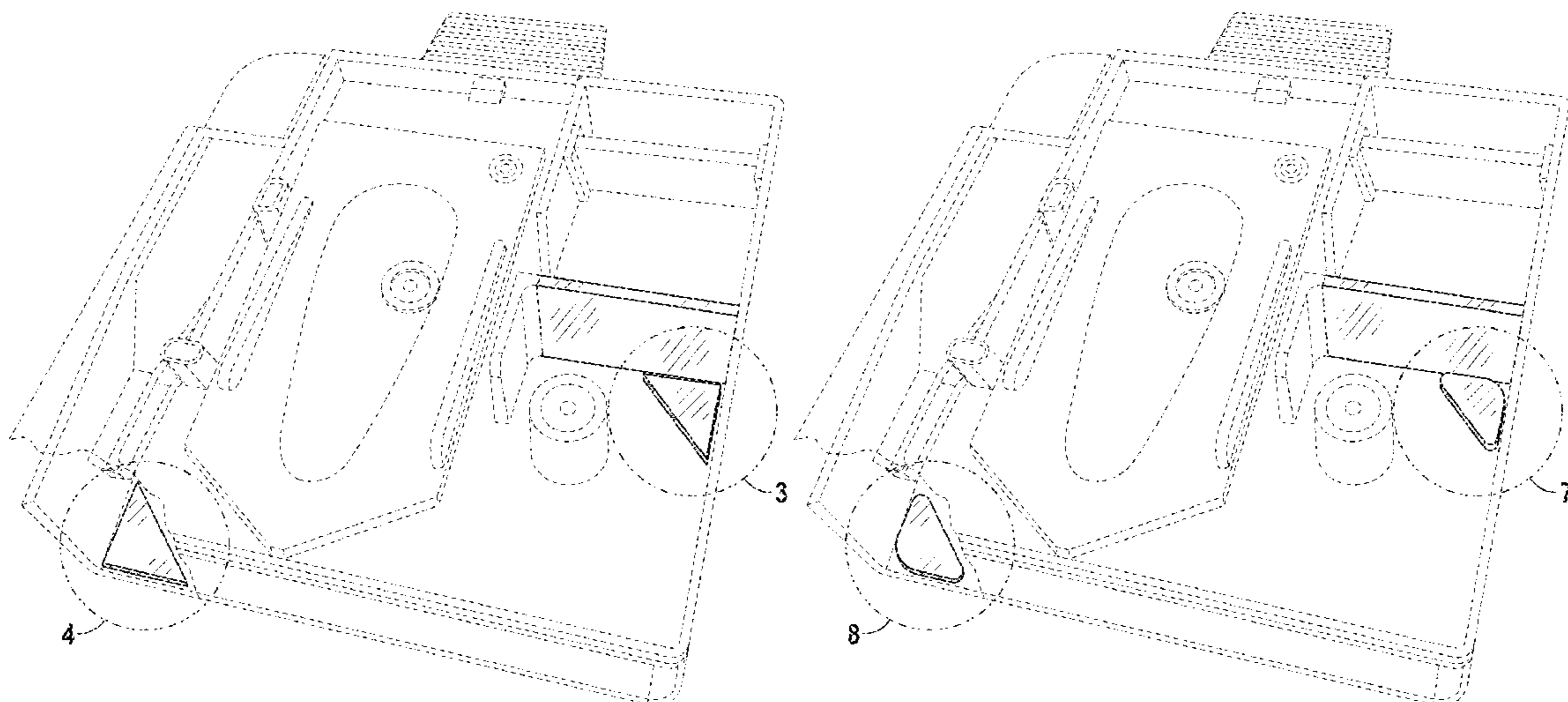
FIG. 8 is an enlarged view of the encircled portion of FIG. 5.

The dashed broken lines in the drawings depict portions of the reagent cartridge that form no part of the claimed design.

The dot-dashed broken lines in the drawings depict the boundary of the claim and form no part thereof.

The dot-dot-dashed broken lines in the drawings depict the boundary of enlarged views and form no part of the claimed design.

1 Claim, 6 Drawing Sheets



(56)

References Cited

U.S. PATENT DOCUMENTS

2013/0130262 A1* 5/2013 Battrell B01L 3/50273
435/6.12
2014/0346071 A1* 11/2014 Genosar A61J 1/067
206/438

OTHER PUBLICATIONS

At-A-Glance Refillable Monthly Desk Calendar, Black and White 2015, 22x17 Inch Page Size (SK22-00). Online, published date Nov. 11, 2009. Retrieved on Aug. 26, 2020 from URL: <https://www.amazon.com/AT-GLANCE-Refillable-Monthly-Calendar/dp/B00KTHA2JI>.*

Corner Leather. Online, published date unknown. Retrieved on Aug. 26, 2020 from URL: <https://store.mesaboogie.com/products/corner-leather.html>.*

TangraMagic Puzzle. Online, published date Oct. 2, 2017. Retrieved on Jan. 27, 2021 from URL: <https://www.giannisarcone.com/wp/blog/2017/10/02/tangramagic-puzzle/>.*

Triangular Wood Block— $\frac{3}{4}$ " x $1\frac{1}{2}$ " x 3" (10 pieces). Online, published date 2017. Retrieved on Jan. 28, 2021 from URL: <http://www.laser-engraved-gifts.com/triangular-wood-blocks-1-5-pieces.aspx>.*

* cited by examiner

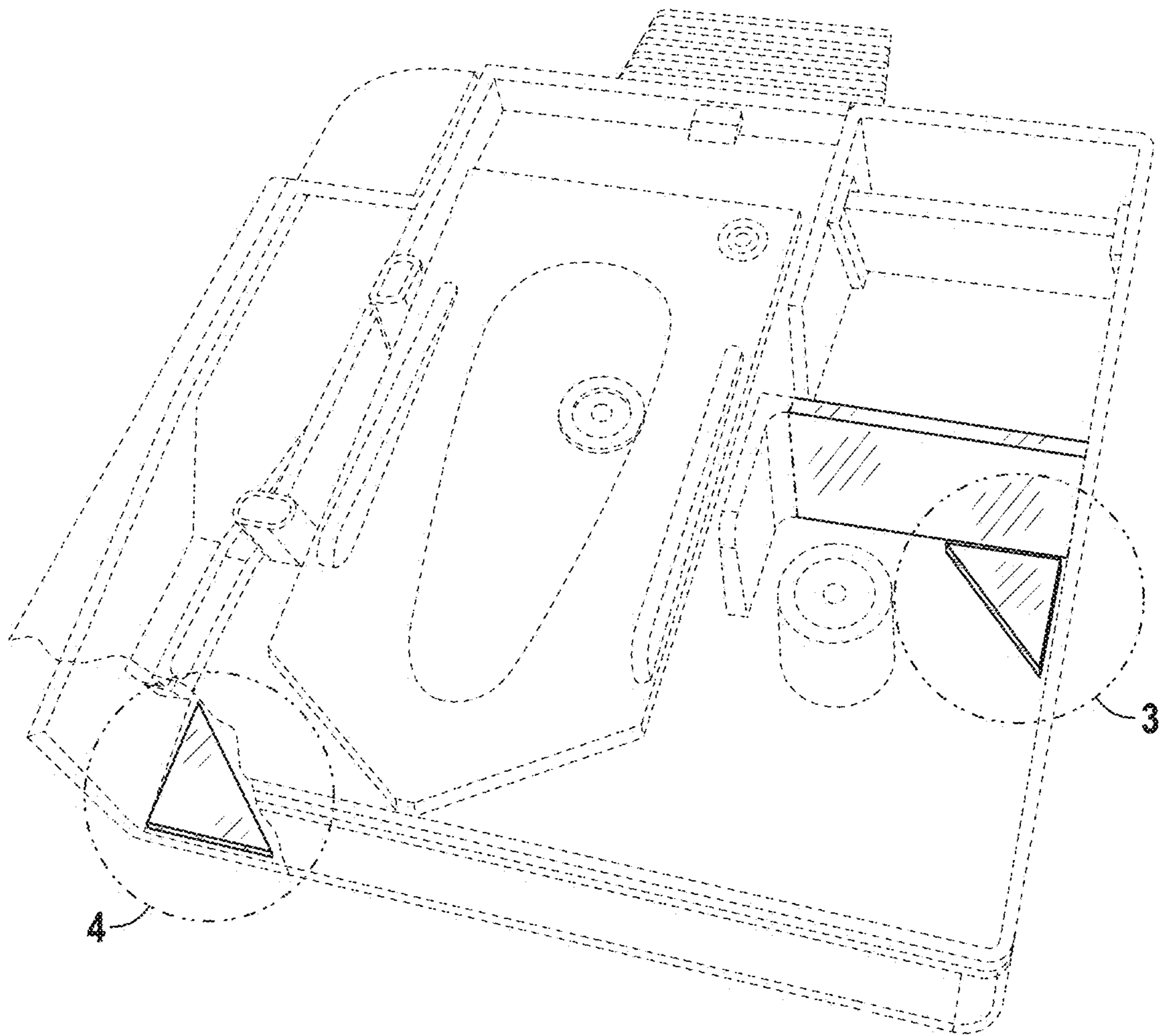


FIG. 1

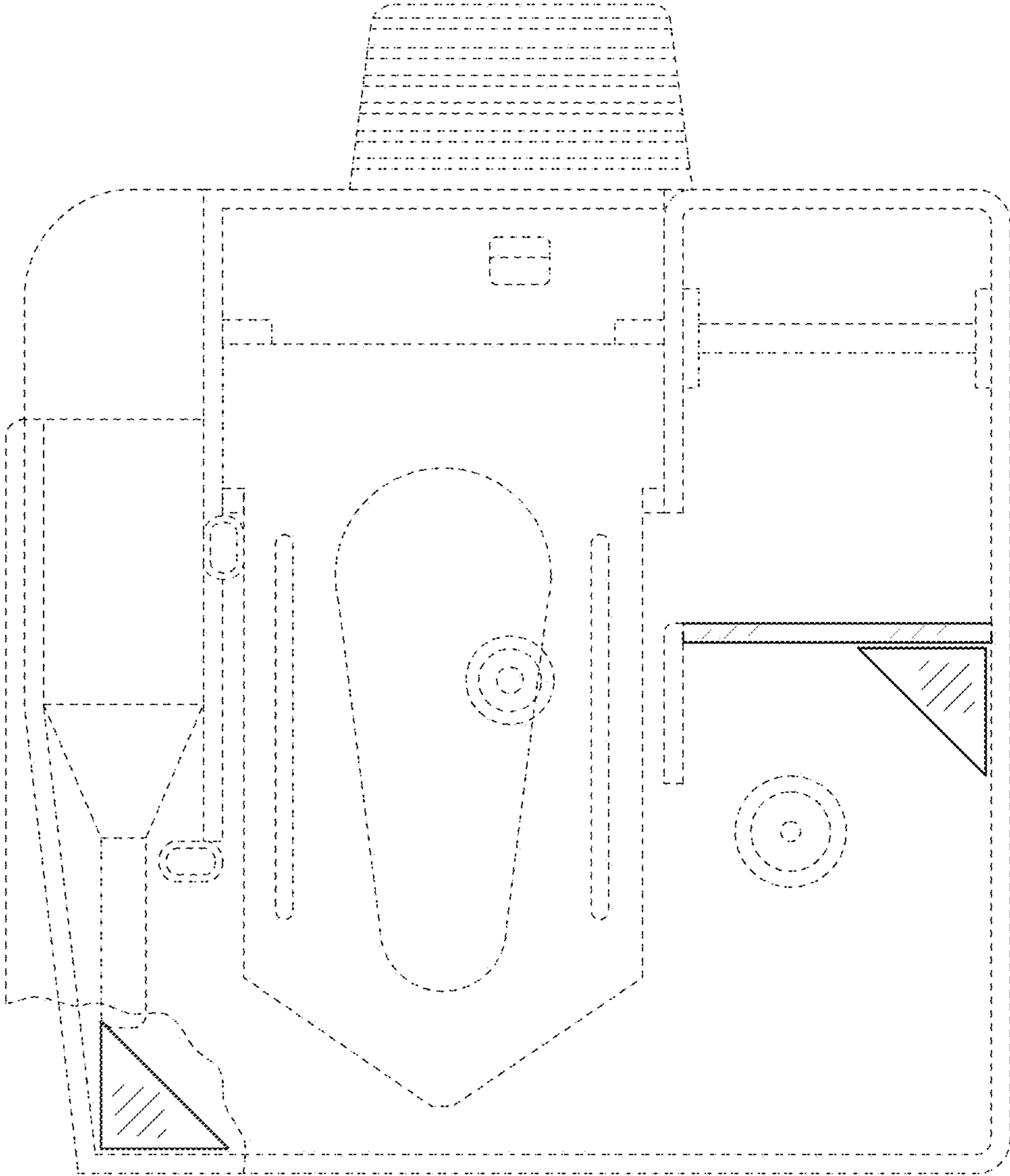


FIG. 2

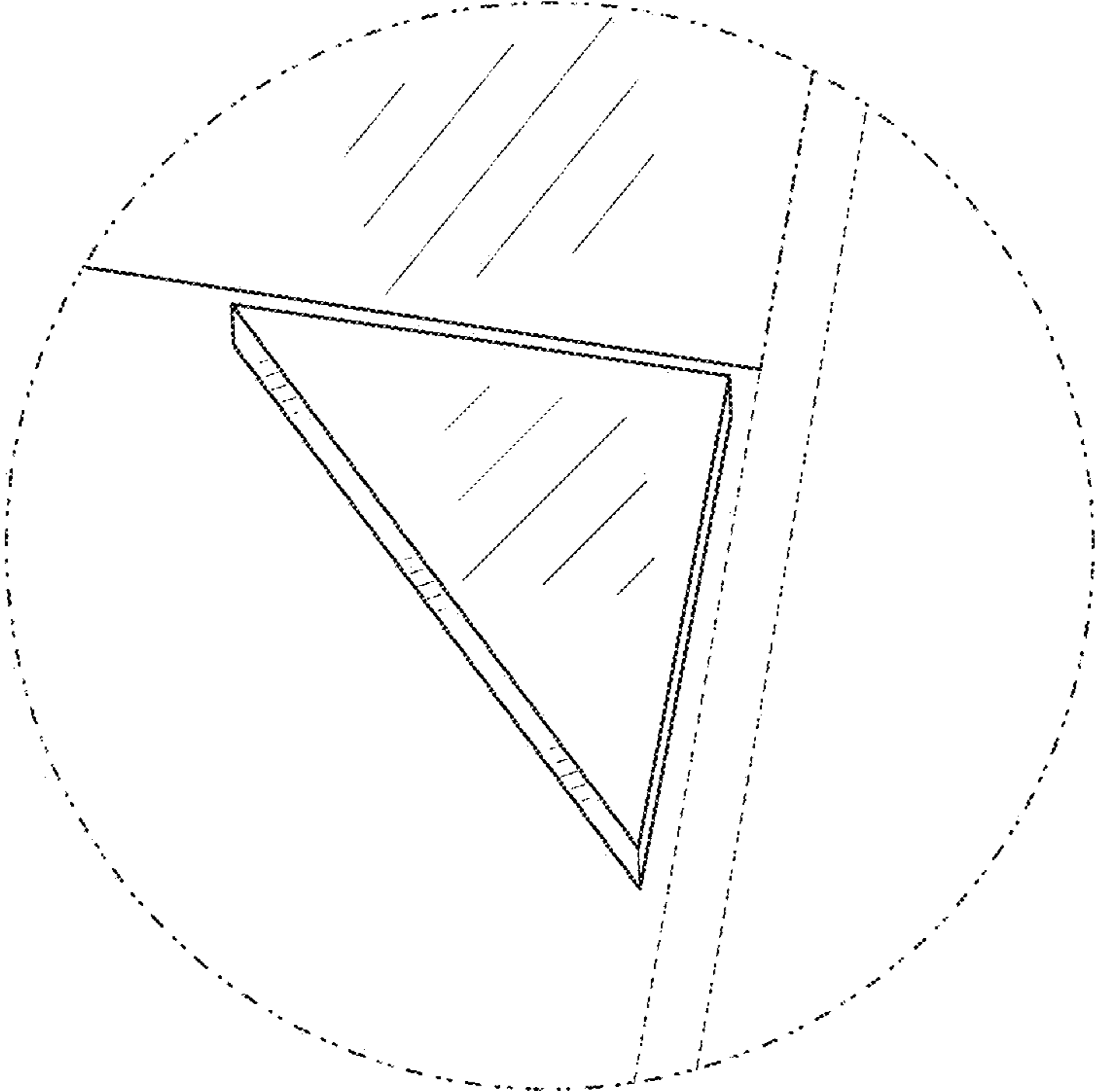


FIG. 3

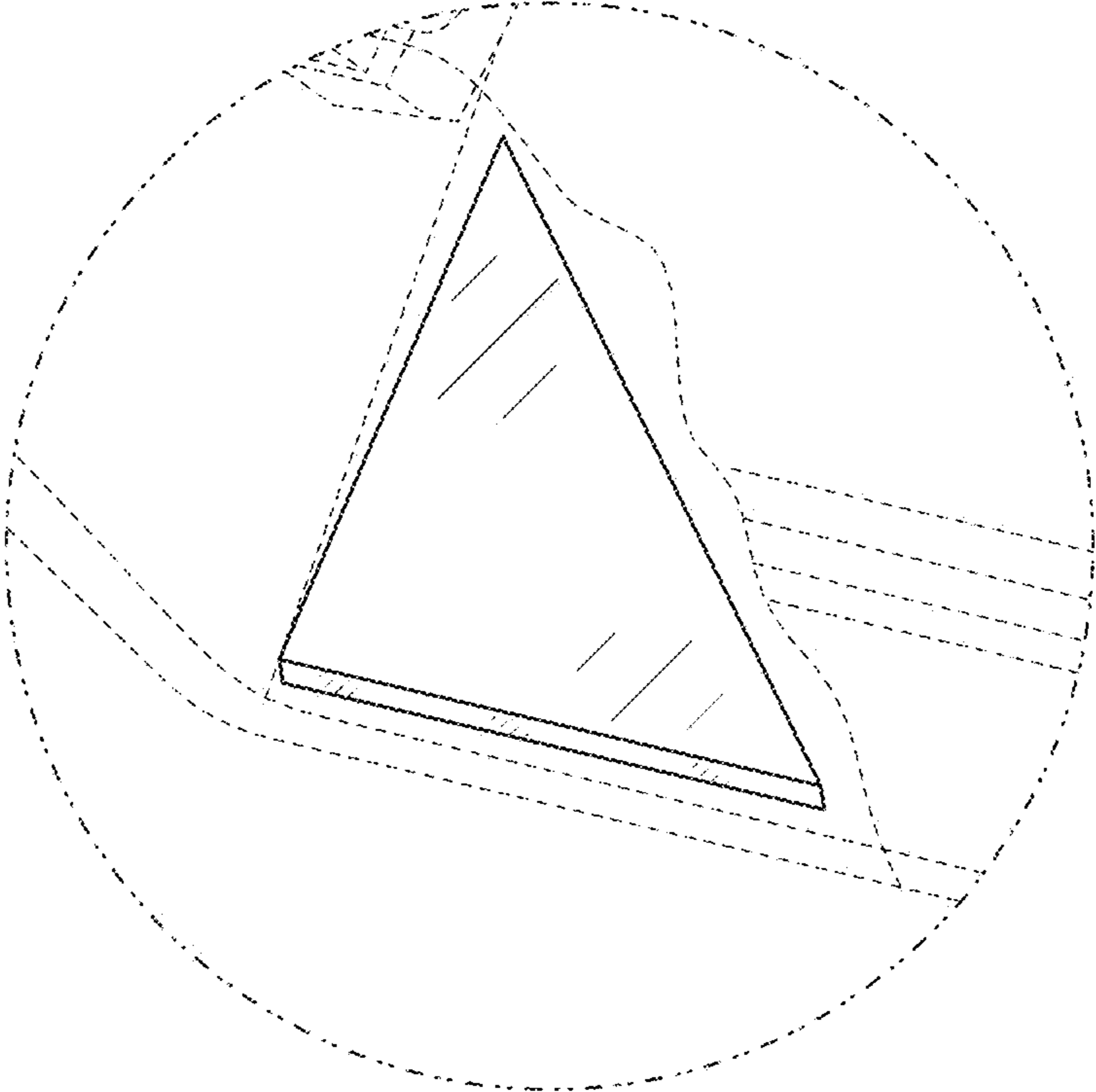


FIG. 4

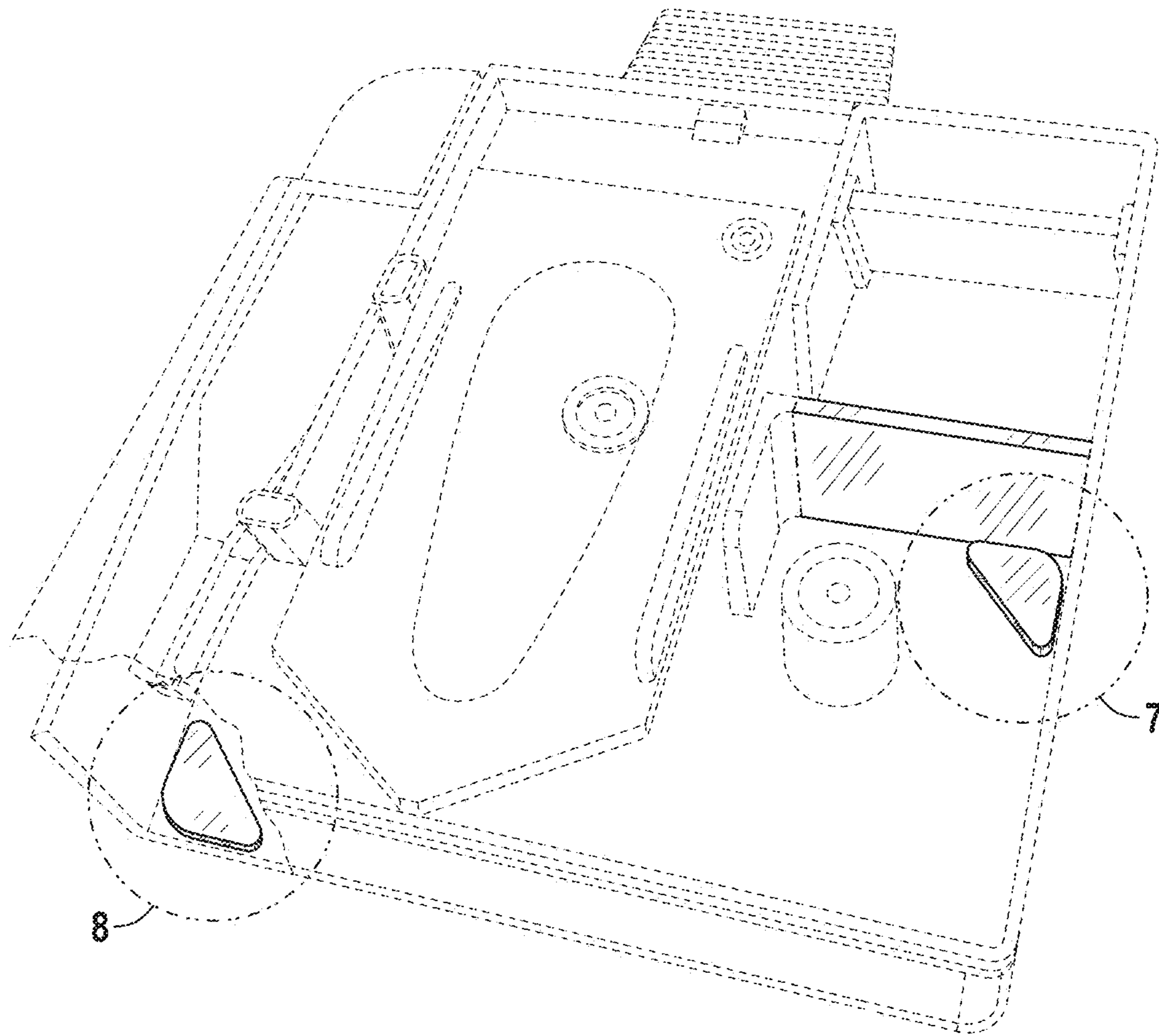


FIG. 5

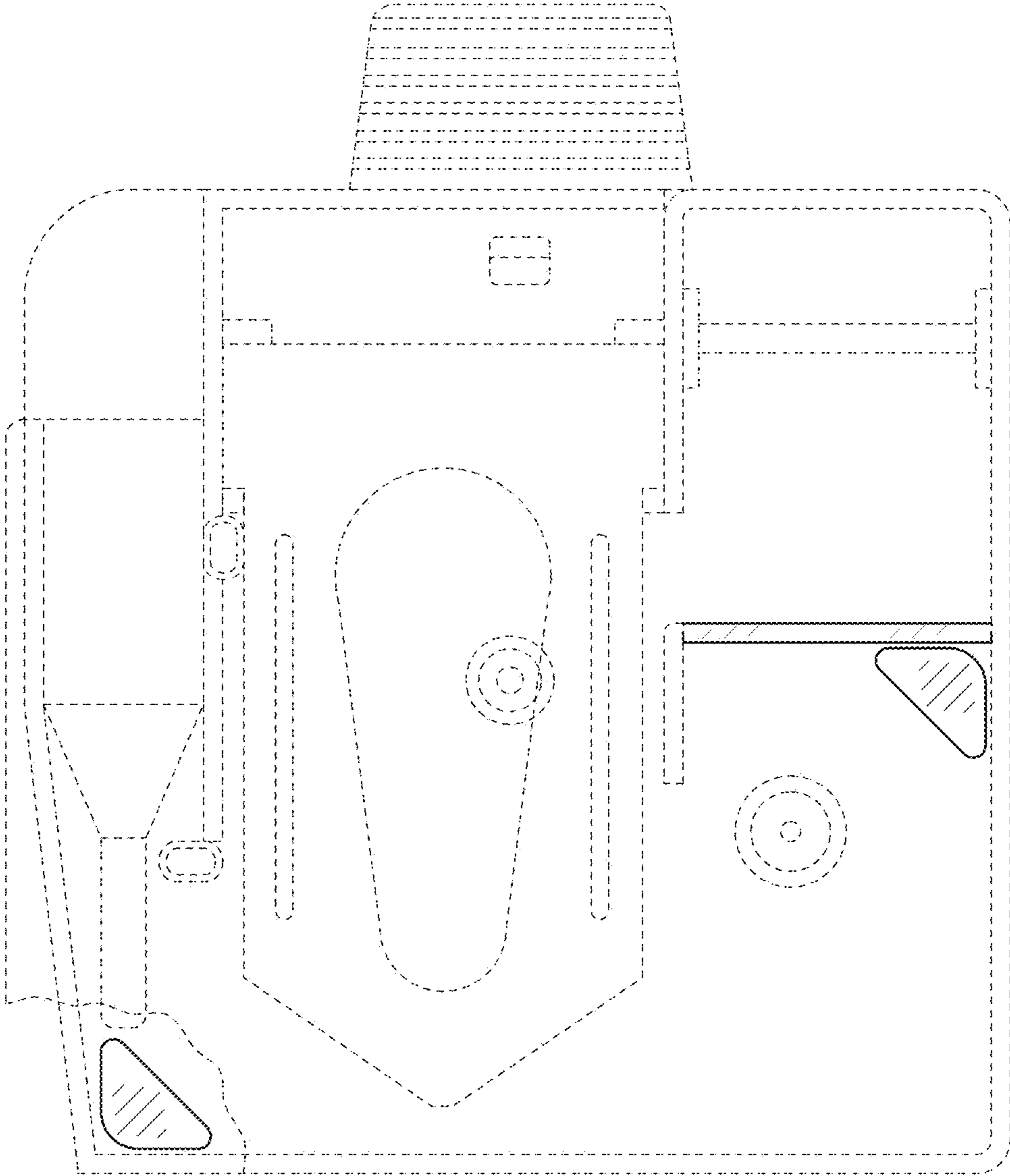


FIG. 6

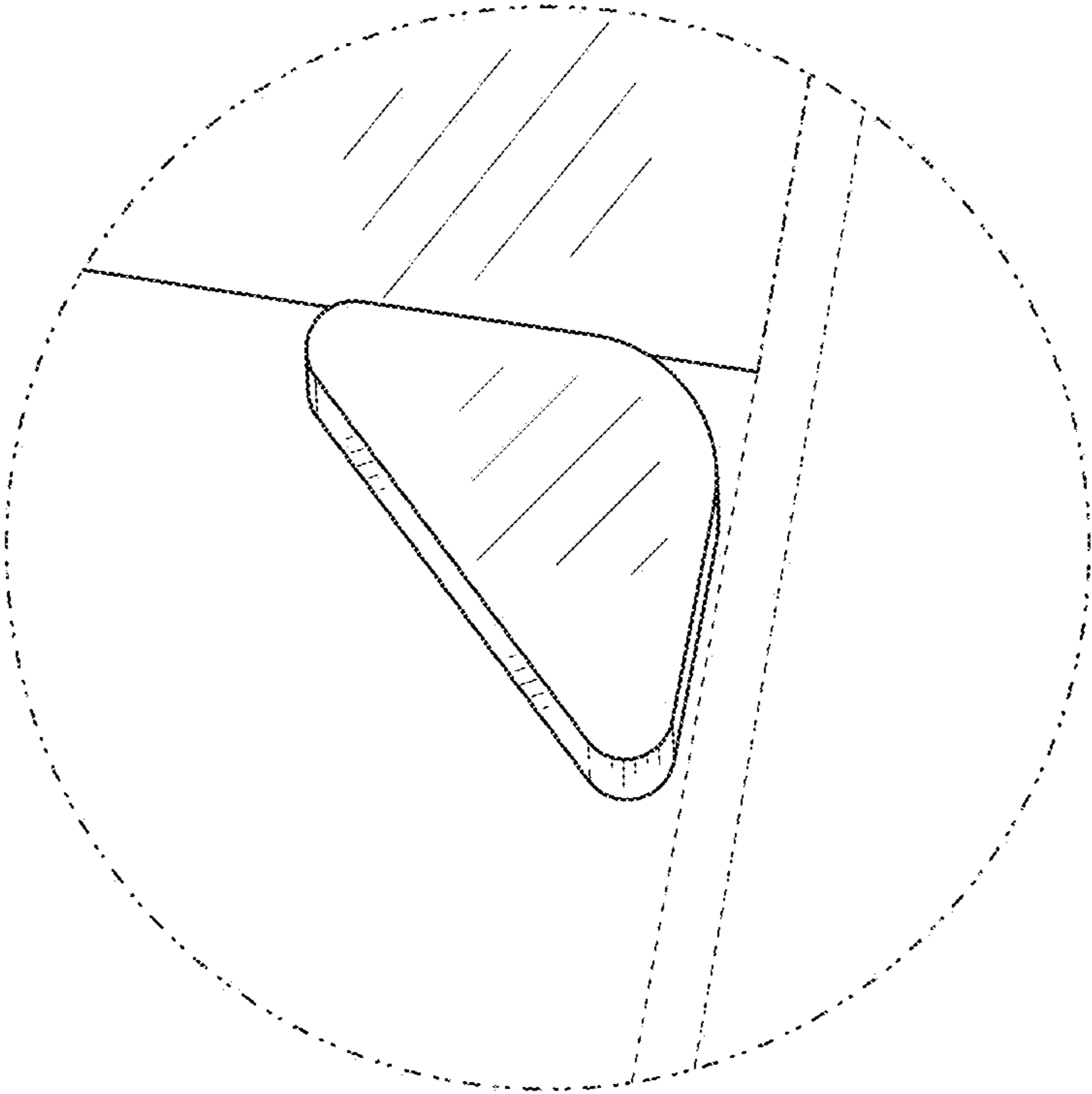


FIG. 7

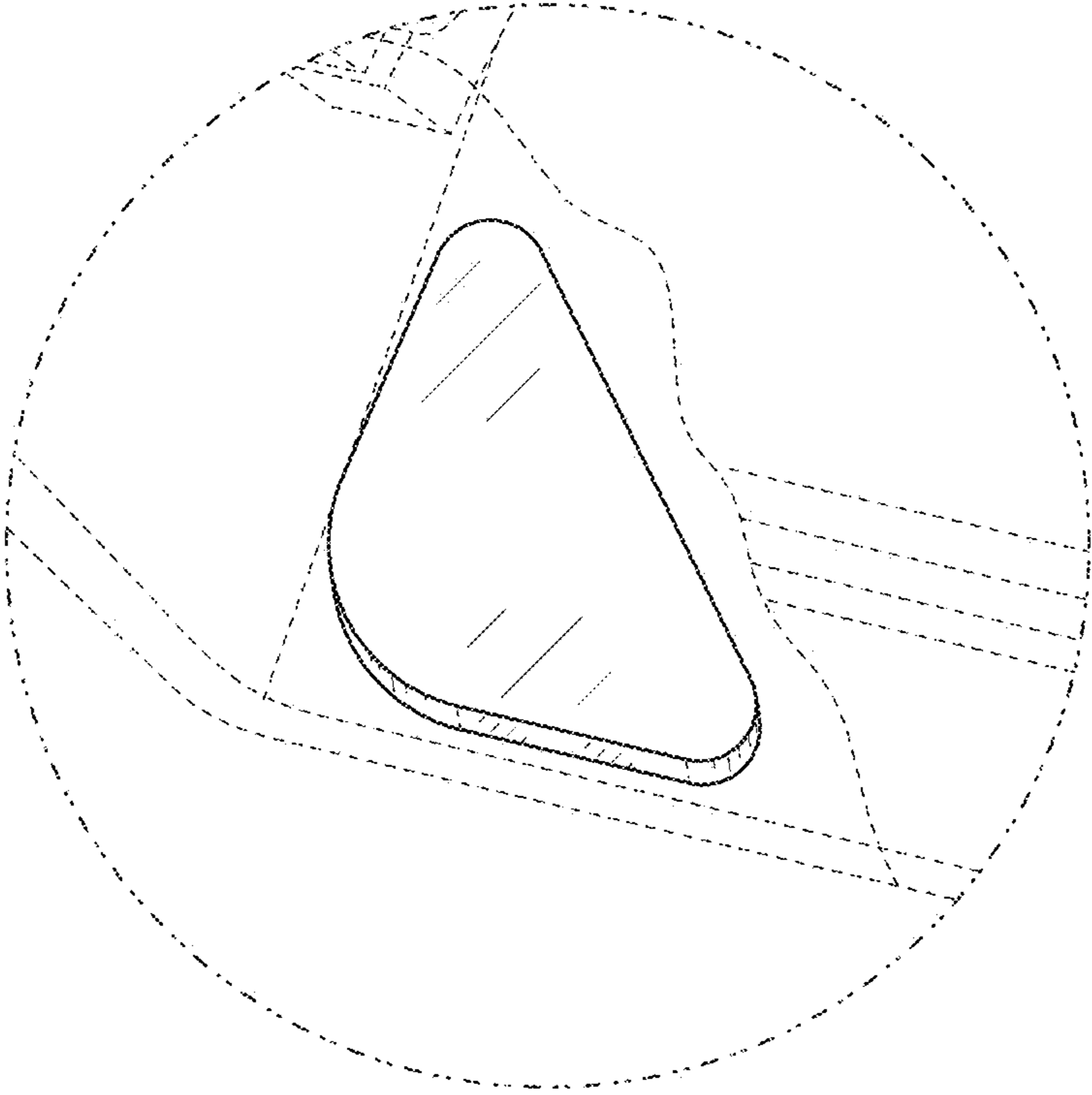


FIG. 8