



US00D934441S

(12) **United States Design Patent**  
**Zhang**

(10) **Patent No.:** **US D934,441 S**

(45) **Date of Patent:** **\*\* Oct. 26, 2021**

(54) **VIBRATION PERCUSSION DEVICE**

(71) Applicant: **Sichuan Qianli-beoka Medical Technology Inc., Sichuan (CN)**

(72) Inventor: **Wen Zhang, Sichuan (CN)**

(73) Assignee: **Sichuan Qianli-beoka Medical Technology Inc., Chengdu (CN)**

(\*\*) Term: **15 Years**

(21) Appl. No.: **29/712,436**

(22) Filed: **Nov. 8, 2019**

(30) **Foreign Application Priority Data**

Sep. 20, 2019 (CN) ..... 201930518741.2

(51) **LOC (13) Cl.** ..... **28-03**

(52) **U.S. Cl.**  
USPC ..... **D24/215**

(58) **Field of Classification Search**

USPC ..... D24/215, 200, 211, 212, 213, 214, 133,  
D24/188, 107, 231; D8/14.1; D28/13

CPC ..... A61H 9/00; A61H 9/005; A61H 9/0007;  
A61H 2015/0007; A61H 2015/0042;  
A61H 2015/0092; A61H 15/0092; A61H  
23/00; A61H 23/006; A61H 2023/002;  
A61H 23/06; A61H 23/0254; A61H  
23/02; A61H 2201/0153; A61H  
2201/0157; A61H 7/005; A61H 7/003;  
A61H 1/00; A61H 1/008

See application file for complete search history.

(56) **References Cited**

**U.S. PATENT DOCUMENTS**

D293,020 S \* 12/1987 Steinel ..... D23/332  
D719,424 S \* 12/2014 Okuda ..... D8/14.1  
D725,978 S \* 4/2015 Uematsu ..... D8/14.1

D843,656 S \* 3/2019 Zhang ..... D28/44.1  
D855,822 S \* 8/2019 Marton ..... D24/215  
D873,432 S \* 1/2020 Duan ..... D24/214  
D884,205 S \* 5/2020 Zhuang ..... D24/215  
2013/0270302 A1\* 10/2013 Hsu ..... B05B 12/002  
222/333  
2017/0304145 A1\* 10/2017 Pepe ..... A61H 23/006  
2019/0175434 A1\* 6/2019 Zhang ..... A61H 23/06  
2019/0254921 A1\* 8/2019 Marton ..... A61H 23/006

**OTHER PUBLICATIONS**

Massage gun DMS M2. Date: Not listed. [online]. [Site visited Apr. 14, 2021]. Available from Internet URL: <http://www.beoka.com/en/a/chanpin/28.html> (Year: NA) (Year: NA).\*

(Continued)

*Primary Examiner* — Susan Bennett Hattan

*Assistant Examiner* — Landon Thomas Cassell

(57) **CLAIM**

The ornamental design for a vibration percussion device, as shown and described.

**DESCRIPTION**

FIG. 1 is a top, front and right side perspective view of a vibration percussion device showing my new design;  
FIG. 2 is a bottom, rear and left side perspective view thereof;

FIG. 3 is a front elevational view thereof;

FIG. 4 is a rear elevational view thereof;

FIG. 5 is a left side view thereof;

FIG. 6 is a right side view thereof;

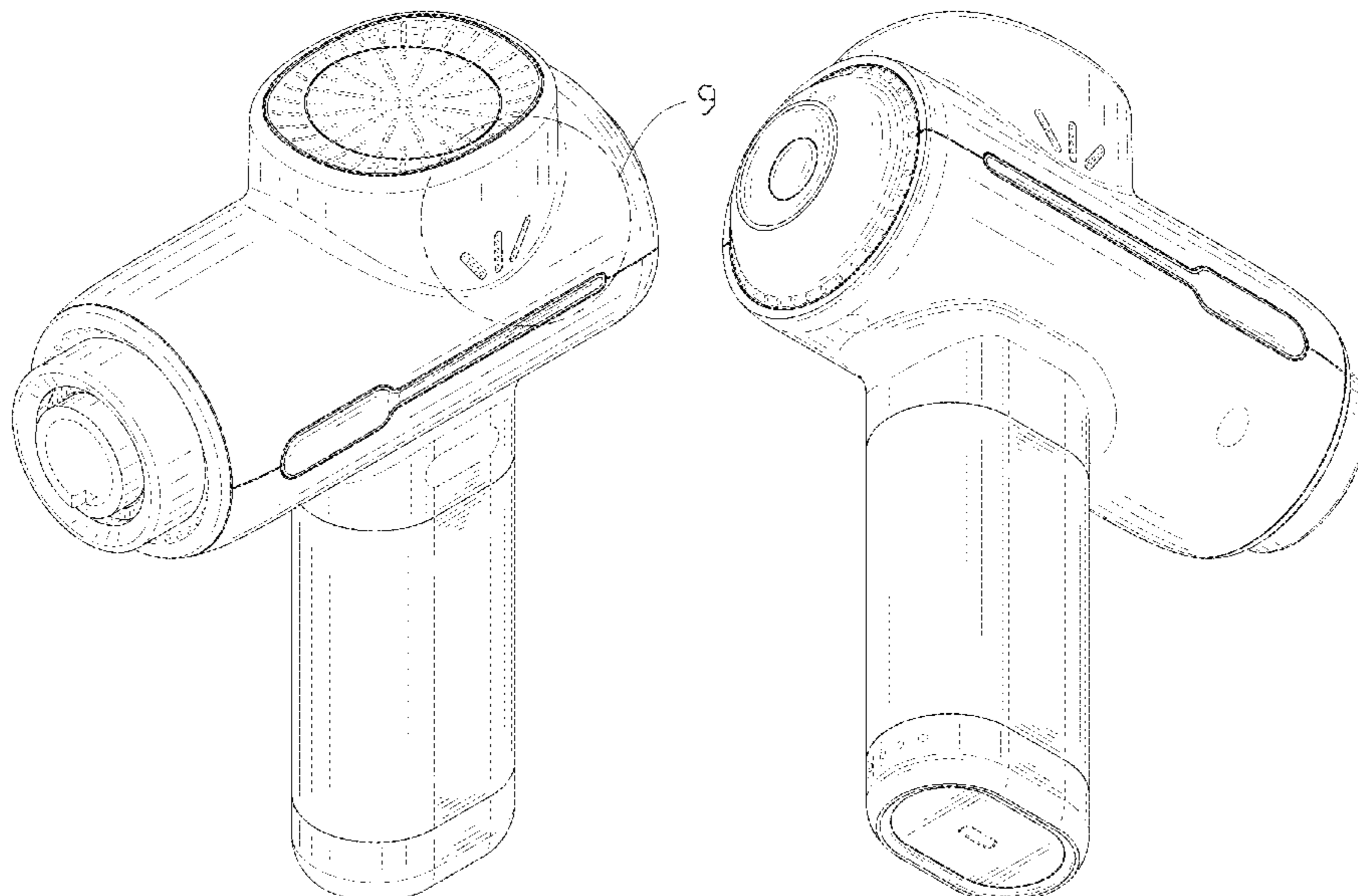
FIG. 7 is a top plan view thereof;

FIG. 8 is a bottom plan view thereof; and,

FIG. 9 is an enlarged view of portion 9 in FIG. 1.

The broken lines in the drawings illustrate portions of the vibration percussion device which form no part of the claimed design.

**1 Claim, 9 Drawing Sheets**



(56)

**References Cited**

OTHER PUBLICATIONS

Hyperice Hypervolt with Quiet Glide. Date: Jun. 28, 2019 [online]. [Site visited Apr. 19, 2021]. Available from Internet URL: <https://www.amazon.co.uk/dp/B07BDLGRTN/> (Year: 2019).\*

Vibration percussion devices. (Design—© Questel) orbit.com. [Online PDF compilation of references] 29 pgs. Print Dates Range Sep. 20, 2019-Mar. 1, 2019 [Retrieved Apr. 14, 2021] <https://www.orbit.com/export/UCZAH96B/pdf4/5fcad576-f55b-462d-b570-2d3e4ef8c7a6-212232.pdf> (Year: 2021).\*

\* cited by examiner

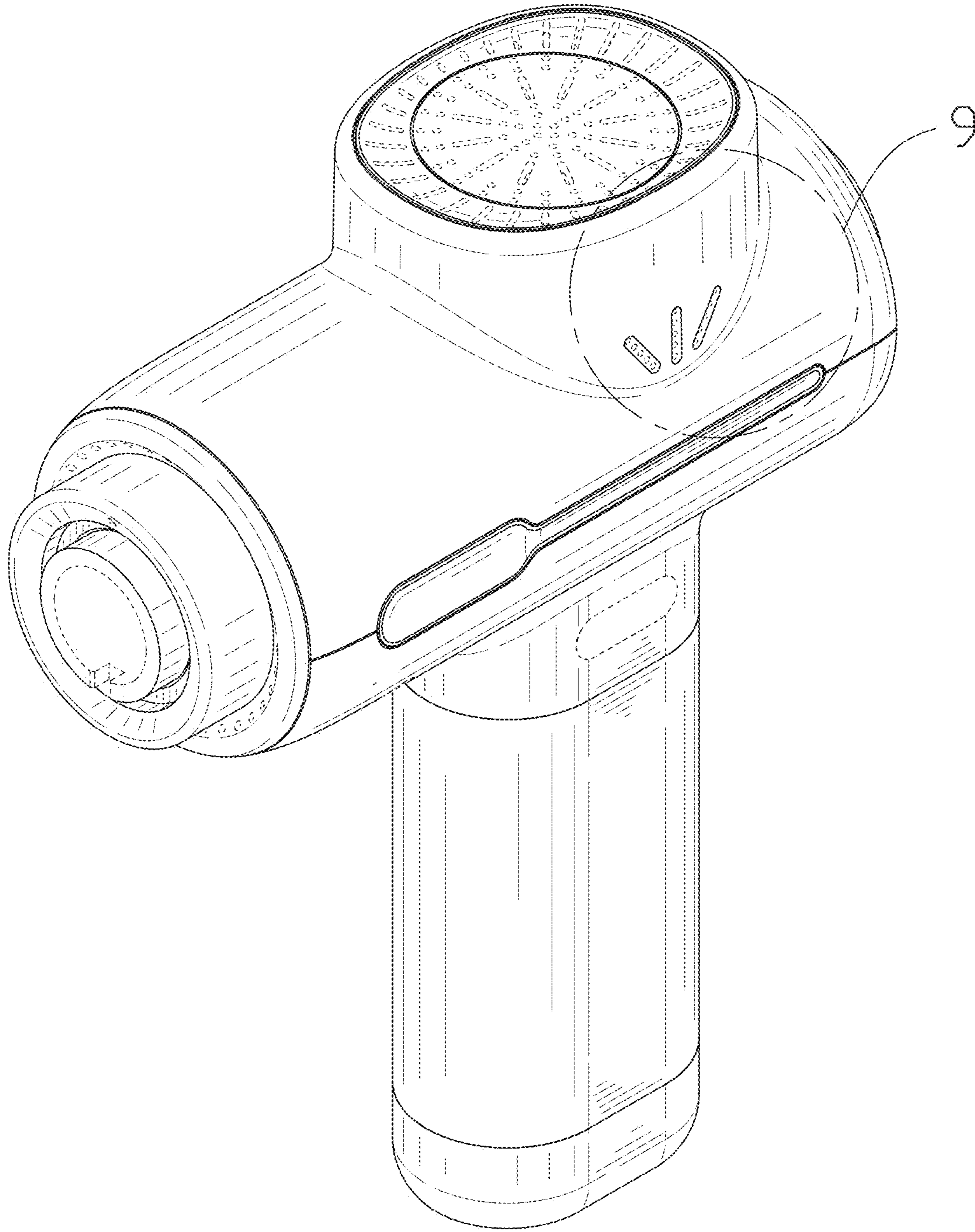


FIG. 1

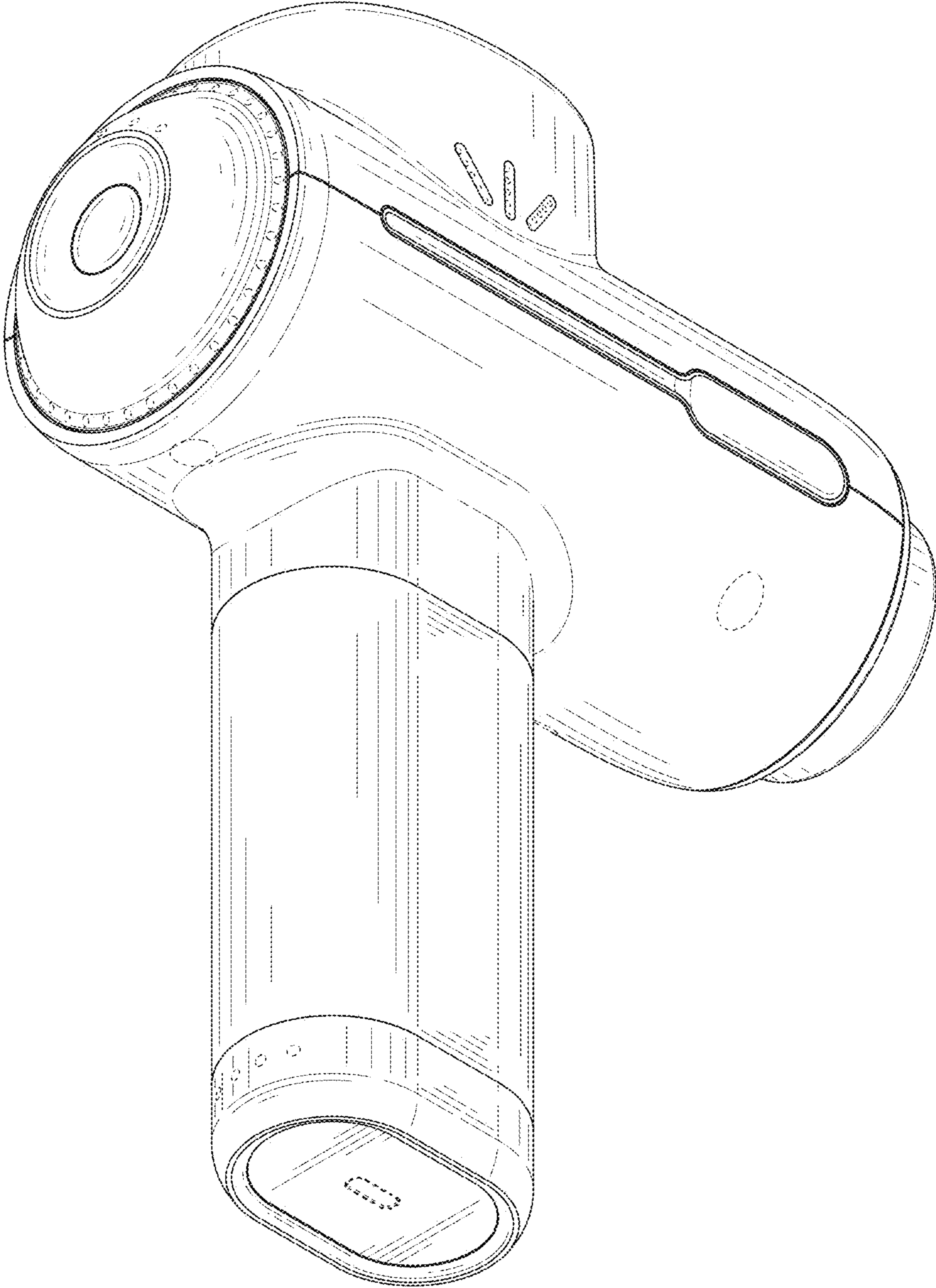


FIG. 2

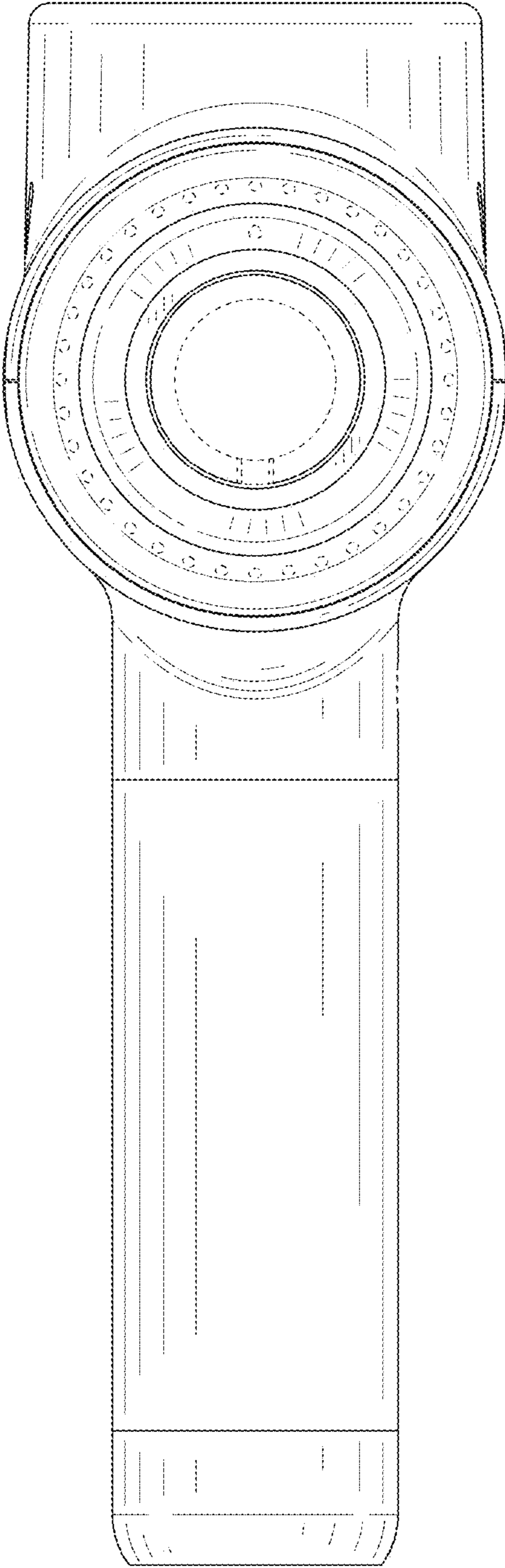


FIG. 3

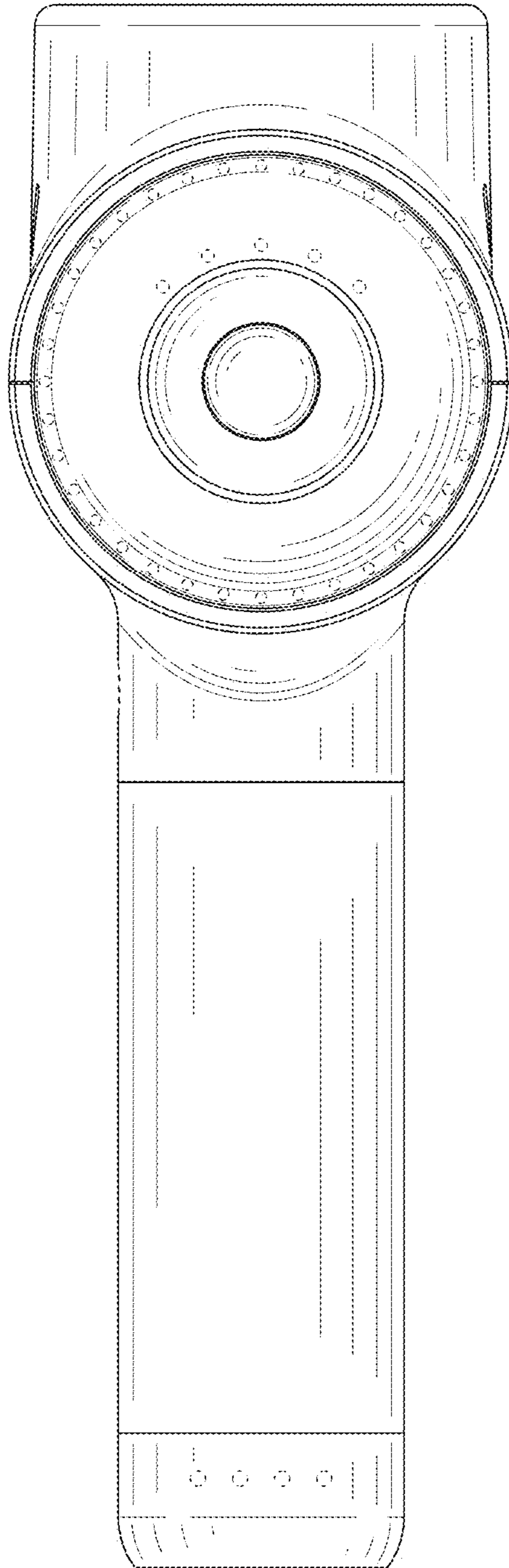


FIG. 4

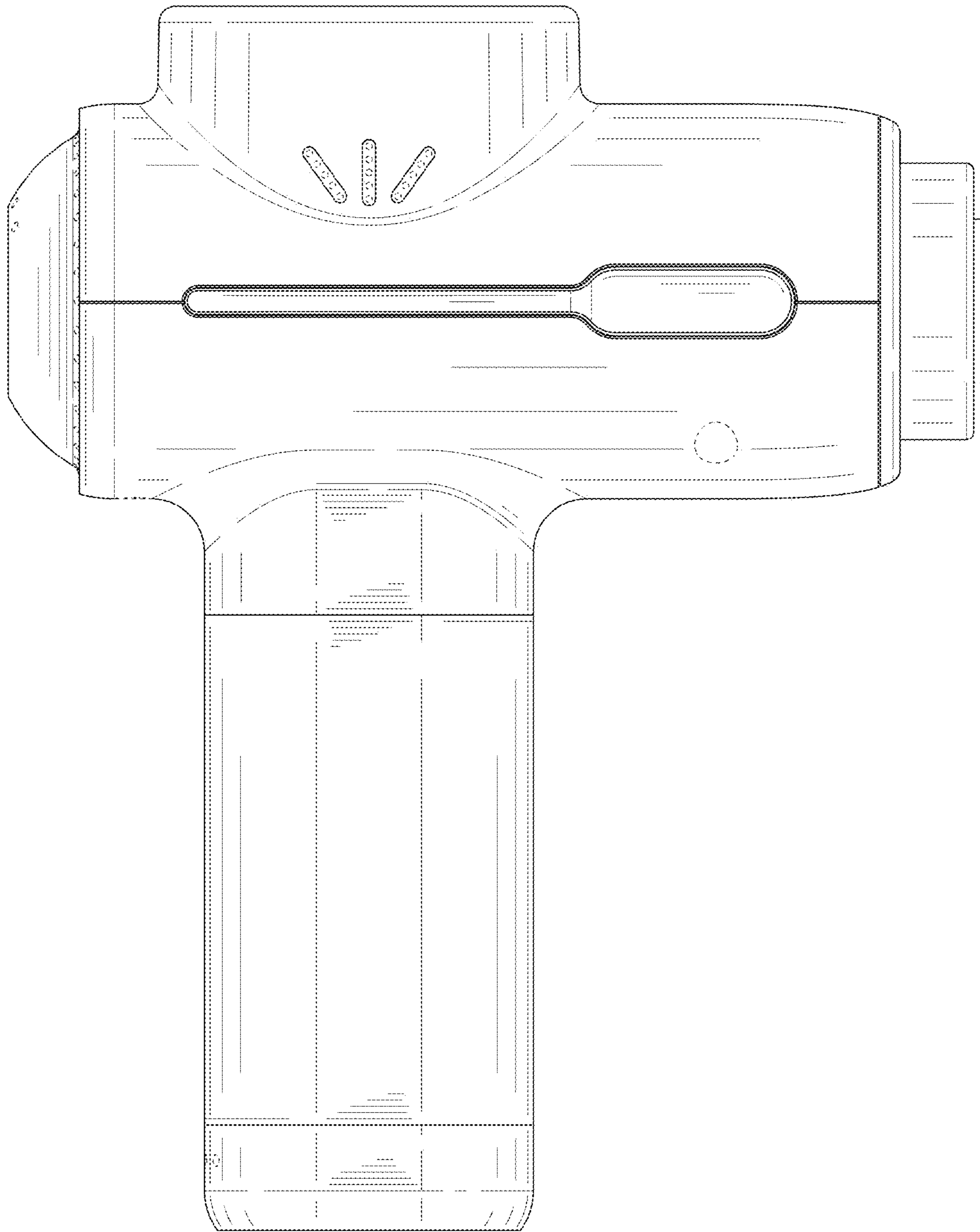


FIG. 5

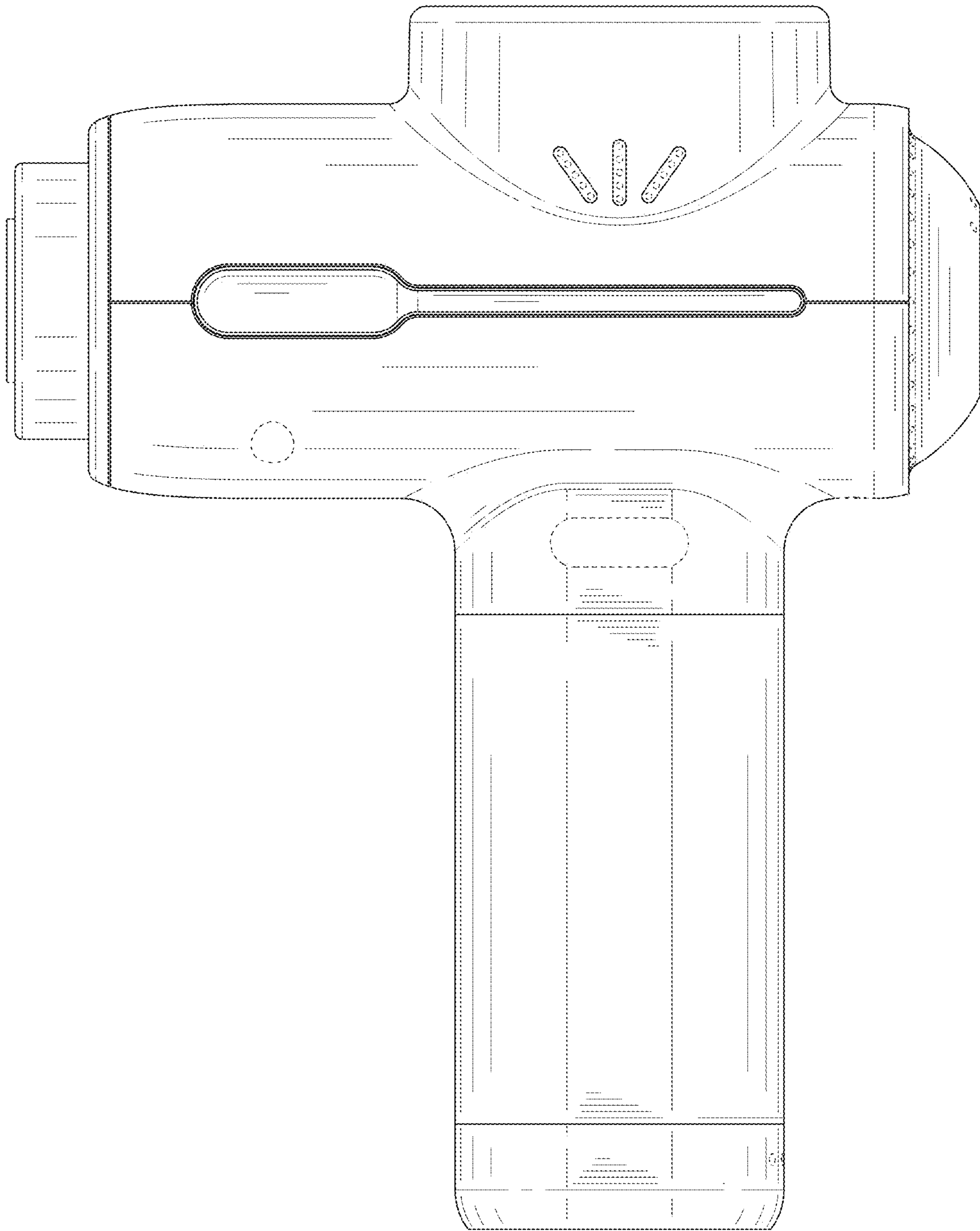


FIG. 6



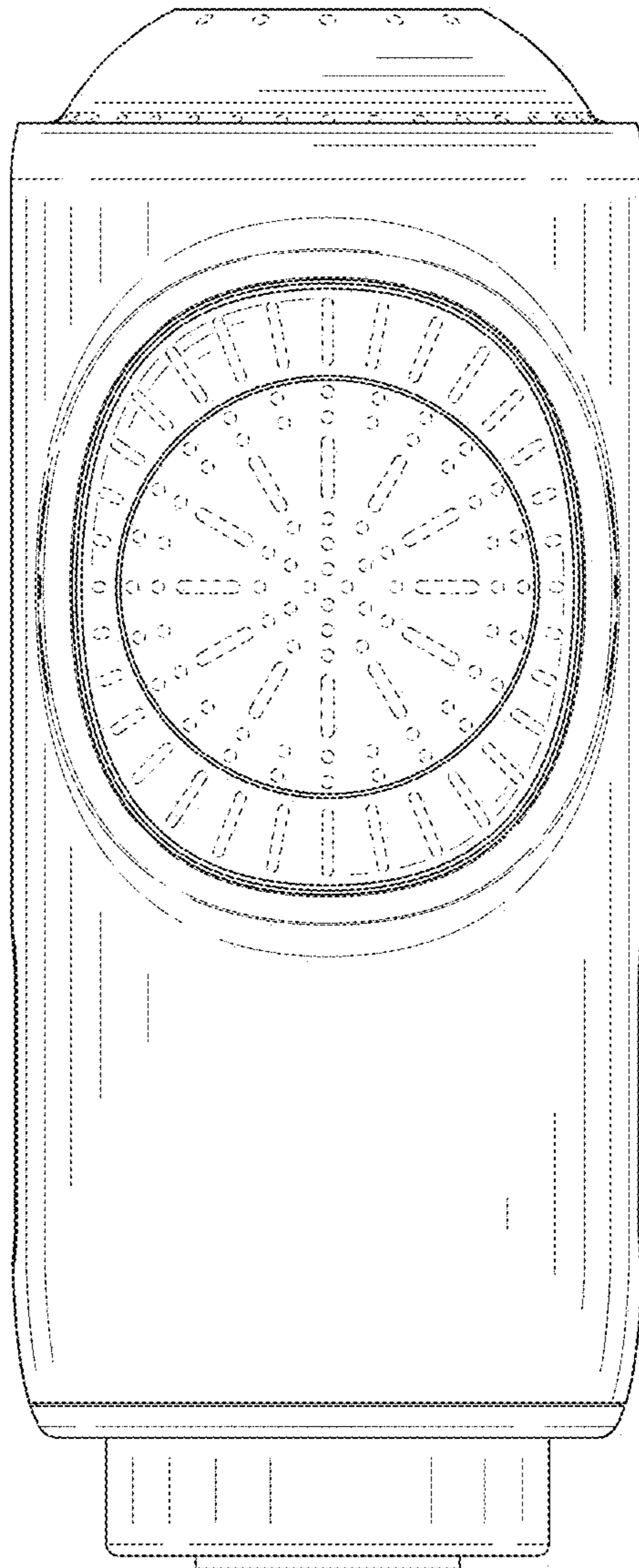


FIG. 7

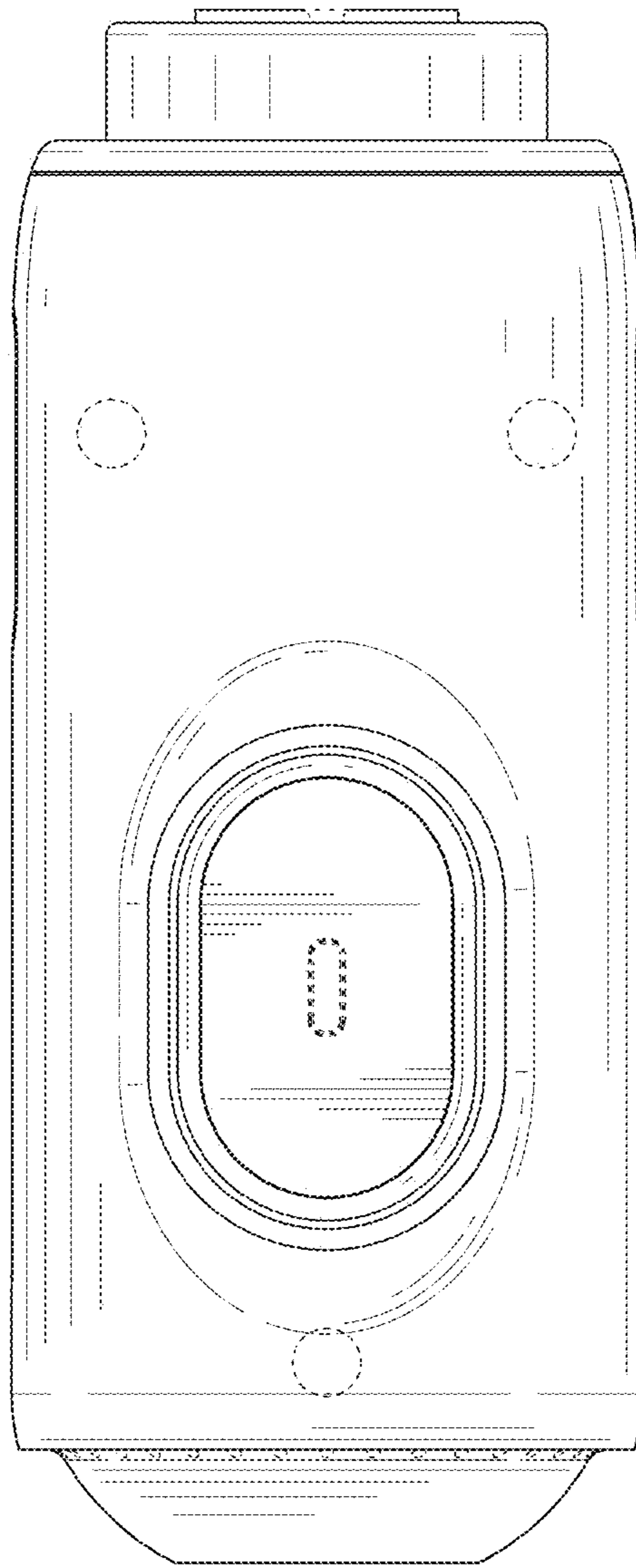


FIG. 8

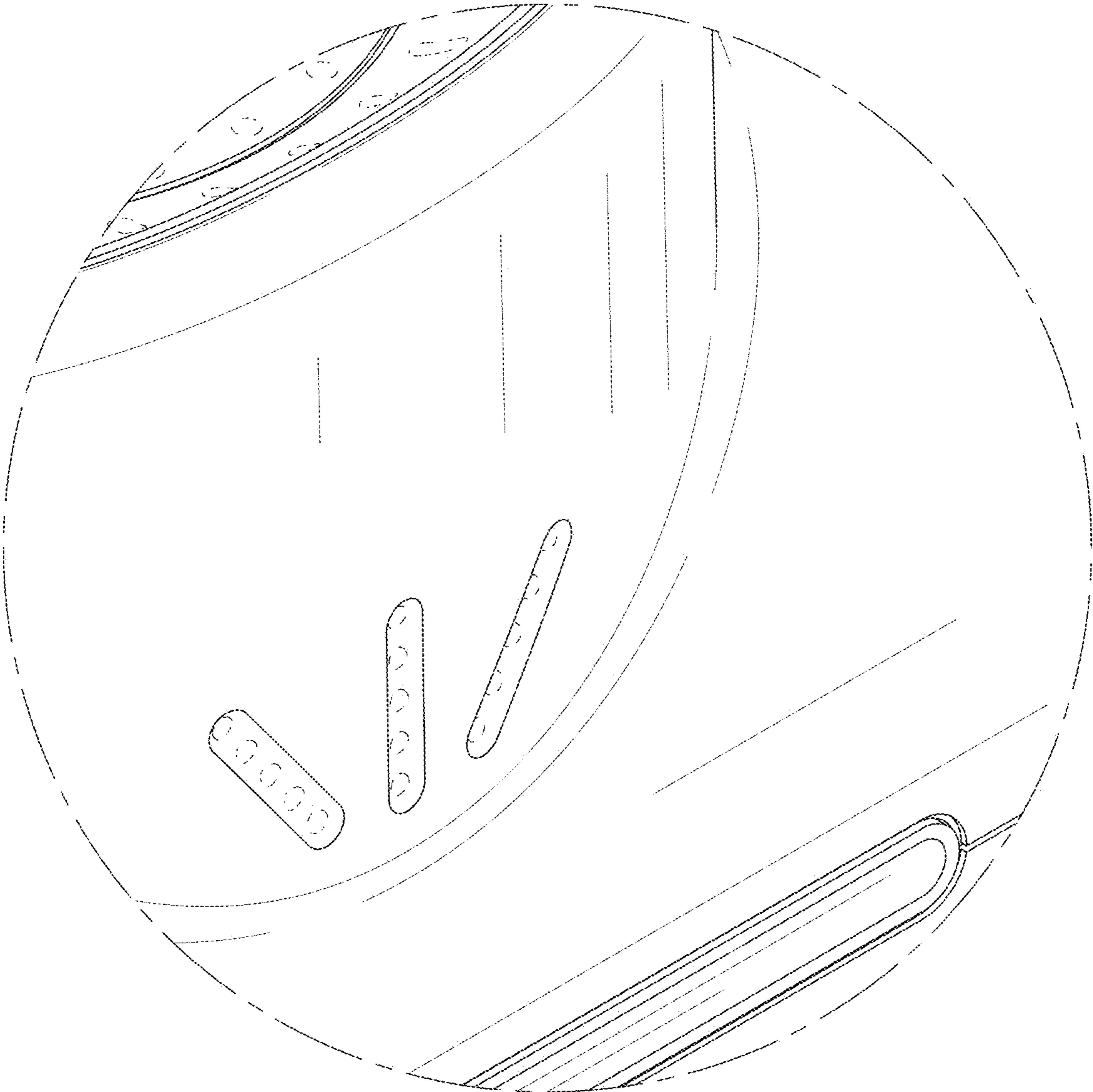


FIG. 9