

US00D934439S

(12) **United States Design Patent** (10) **Patent No.:** **US D934,439 S**  
**McDonough et al.** (45) **Date of Patent:** **\*\* Oct. 26, 2021**

- (54) **TENS OR EMS DEVICE**
- (71) Applicants: **Johnson & Johnson Consumer Inc.**, Skillman, NJ (US); **Umeheal Ltd**, Guangdong (CN)
- (72) Inventors: **Justin E. McDonough**, Flemington, NJ (US); **Xufeng Wu**, Shanghai (CN); **Litong Wang**, Shanghai (CN); **Lai Hing Vair**, Belle Mead, NJ (US); **Rui Lin**, Shenzhen (CN)
- (73) Assignees: **Johnson & Johnson Consumer Inc.**, Skillman, NJ (US); **Umeheal Ltd.**, Shenzhen (CN)

D613,868 S	4/2010	Lhuillery et al.
D701,610 S	3/2014	Thomas et al.
D704,848 S	5/2014	Thomas et al.
D712,052 S	8/2014	Thomas et al.
D716,457 S	10/2014	Brefka et al.
D716,958 S	11/2014	Thomas et al.
D735,873 S	8/2015	Brefka et al.
D754,355 S	4/2016	Ganapathy et al.
D756,526 S	5/2016	Ho
D759,257 S	6/2016	Chen
D794,812 S *	8/2017	Matsushita ..... D24/200
D802,780 S	11/2017	Hsu
D803,410 S *	11/2017	Im ..... D24/187
D810,311 S *	2/2018	Chen ..... D24/200
D810,952 S	2/2018	Hsu

(Continued)

- (\*\*) Term: **15 Years**
- (21) Appl. No.: **29/729,989**
- (22) Filed: **Mar. 31, 2020**
- (51) **LOC (13) Cl.** ..... **28-03**
- (52) **U.S. Cl.**  
USPC ..... **D24/200; D24/187**
- (58) **Field of Classification Search**  
USPC ..... D24/107, 164, 165-169, 186, 187, 200;  
D10/75, 70, 98; D14/341, 344  
CPC .. A61N 1/36; A61N 1/36014; A61N 1/36021;  
A61N 1/36057; A61N 1/3605; A61N  
1/36003; A61N 1/37211; A61N 1/37235;  
A61N 1/3787; A61N 1/322; A61N  
1/0404; A61N 1/0452; A61N 1/0456;  
A61N 1/048  
See application file for complete search history.

(56) **References Cited**

**U.S. PATENT DOCUMENTS**

D442,694 S	5/2001	Cheng
D486,234 S	2/2004	Chernyshev et al.
D547,454 S	7/2007	Hsieh
D549,828 S	8/2007	Wolfson

**OTHER PUBLICATIONS**

U.S. Appl. No. 29/729,963, filed Mar. 31, 2020, McDonough et al., Pending.

(Continued)

*Primary Examiner* — Anhdao Doan

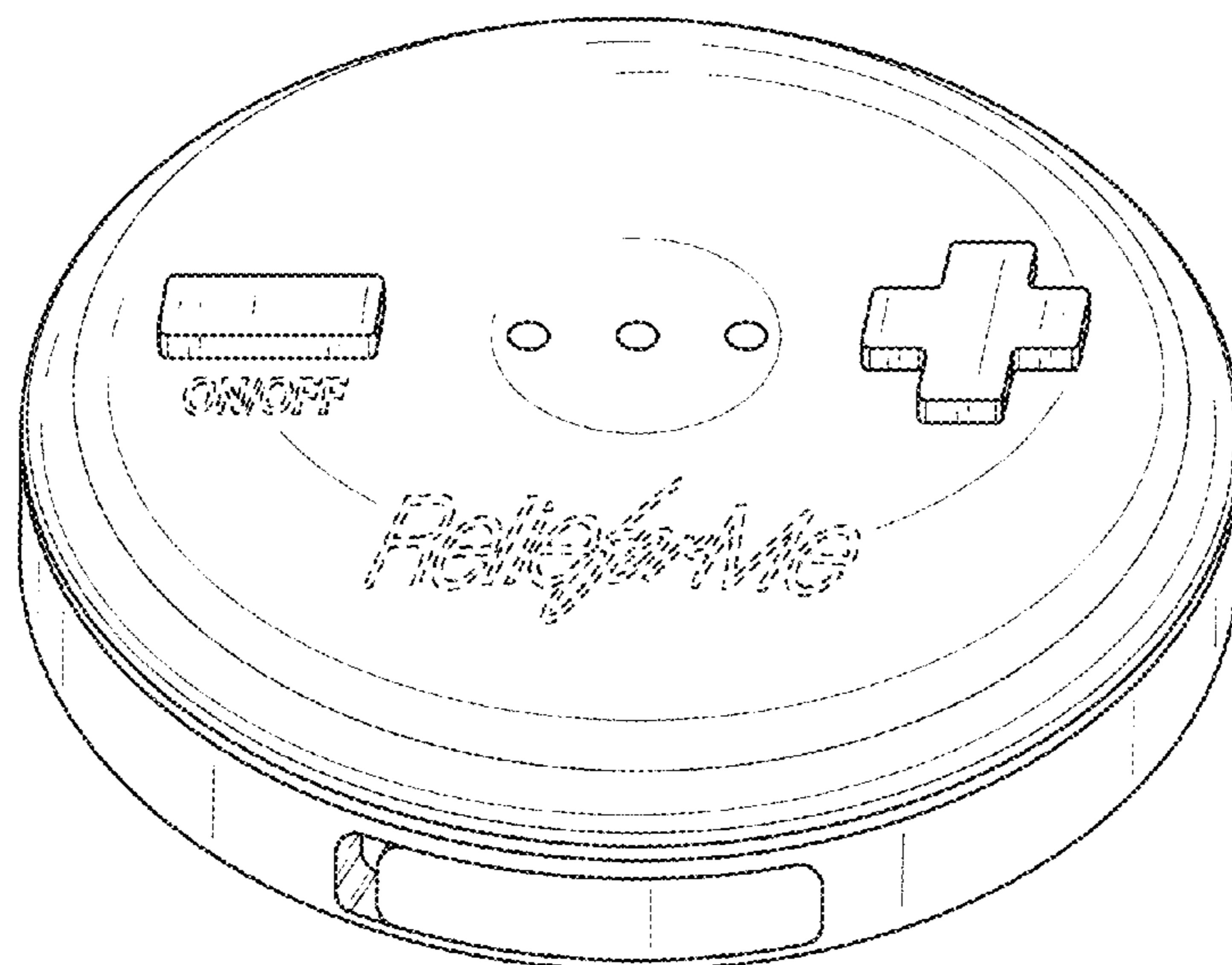
(57) **CLAIM**

The ornamental design for a TENS or EMS device, as shown and described.

**DESCRIPTION**

FIG. 1 is a perspective view of a TENS or EMS device; FIG. 2 is a front view thereof; FIG. 3 is a rear view thereof; FIG. 4 is a side view thereof; FIG. 5 is another side view thereof; FIG. 6 is a top view thereof; FIG. 7 is a bottom view thereof; and, FIG. 8 is a perspective view of the TENS or EMS device connected to an electrode pad. The broken lines represent environmental subject matters and form no part of the claimed design.

**1 Claim, 4 Drawing Sheets**



(56)

**References Cited**

U.S. PATENT DOCUMENTS

D813,405 S 3/2018 Ho  
D821,595 S \* 6/2018 Ito ..... D24/200  
D830,555 S \* 10/2018 Lin ..... D24/167  
D830,565 S 10/2018 Xu  
D831,217 S \* 10/2018 Geissen ..... D24/168  
D834,209 S \* 11/2018 Tan ..... D24/200  
D836,788 S 12/2018 Peng  
D837,394 S 1/2019 Cryan et al.  
D855,193 S \* 7/2019 Levi ..... D24/200  
D875,264 S \* 2/2020 Katz ..... D24/200  
D902,417 S \* 11/2020 Schroeder ..... D24/200  
D904,619 S \* 12/2020 Spyropoulos ..... D24/169  
D921,902 S 6/2021 Nachum  
2017/0209693 A1 \* 7/2017 An ..... A61N 1/36034  
2020/0179691 A1 \* 6/2020 Chen ..... A61N 1/0452

OTHER PUBLICATIONS

U.S. Appl. No. 29/729,973, filed Mar. 31, 2020, McDonough et al.,  
Pending.  
U.S. Appl. No. 29/729,980, filed Mar. 31, 2020, McDonough et al.,  
Pending.  
U.S. Appl. No. 29/729,983, filed Mar. 31, 2020, McDonough et al.,  
Pending.  
U.S. Appl. No. 29/729,984, filed Mar. 31, 2020, McDonough et al.,  
Pending.

\* cited by examiner

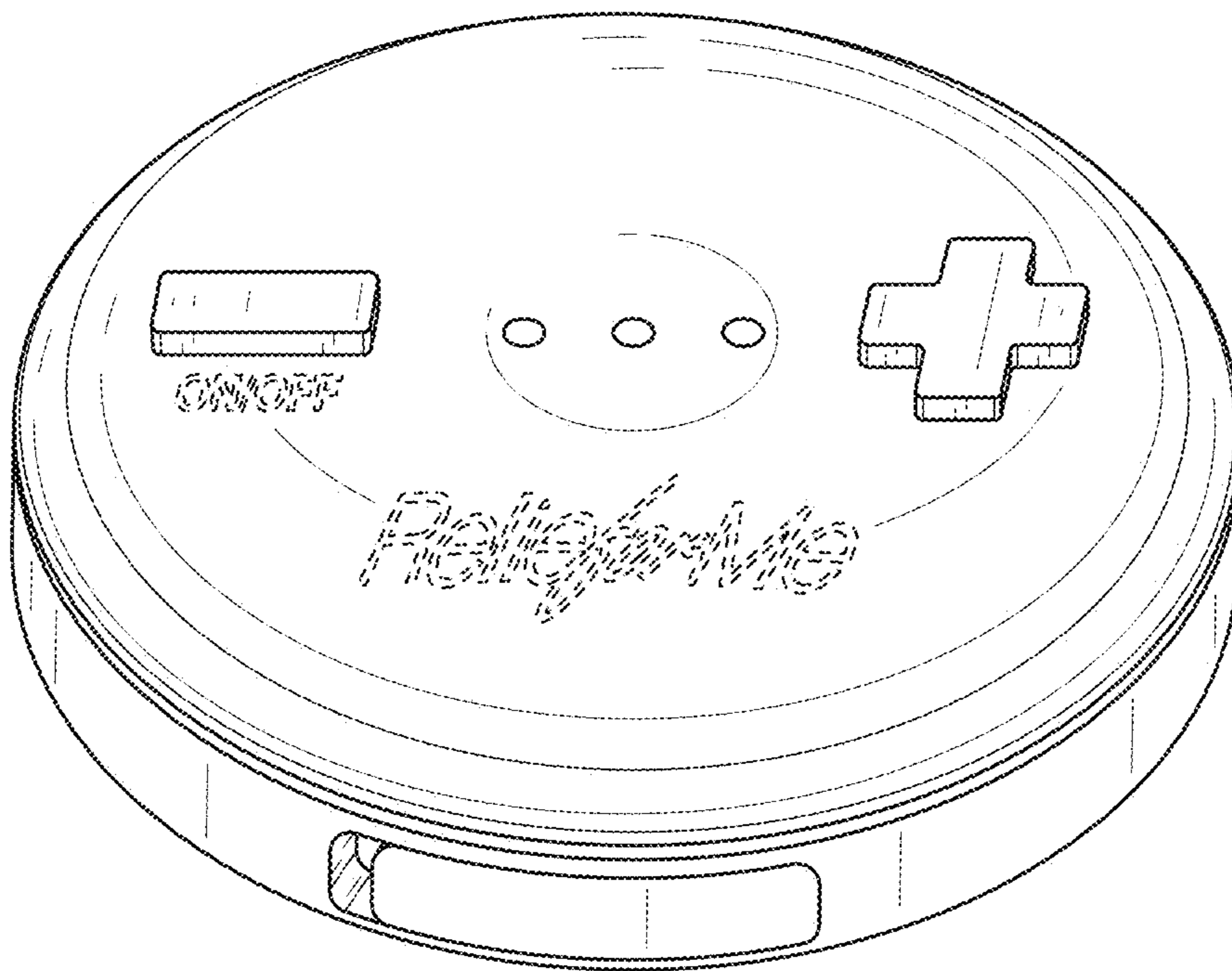


FIG. 1

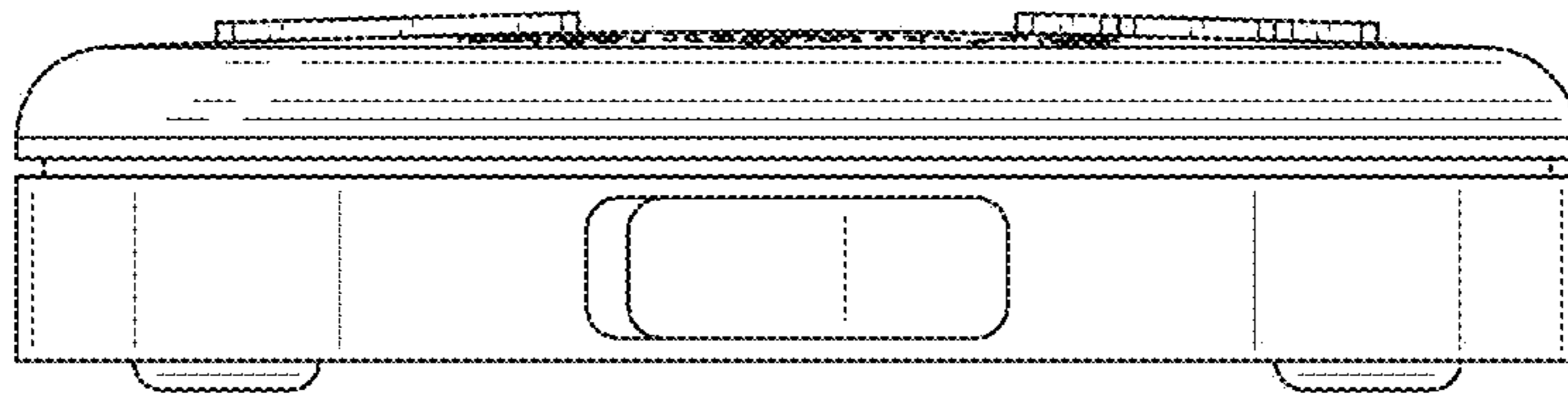


FIG. 2

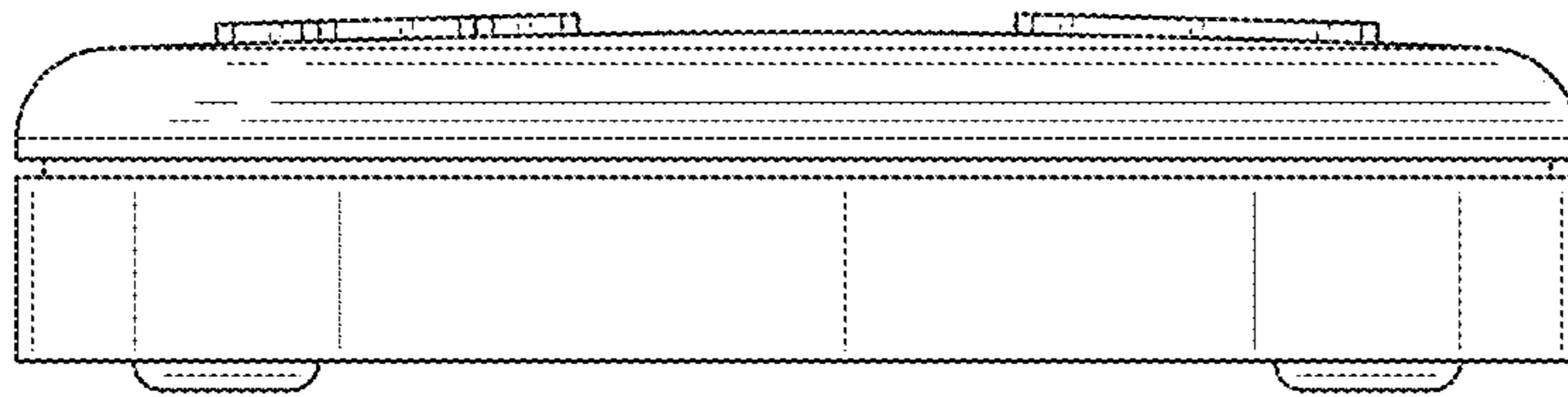


FIG. 3

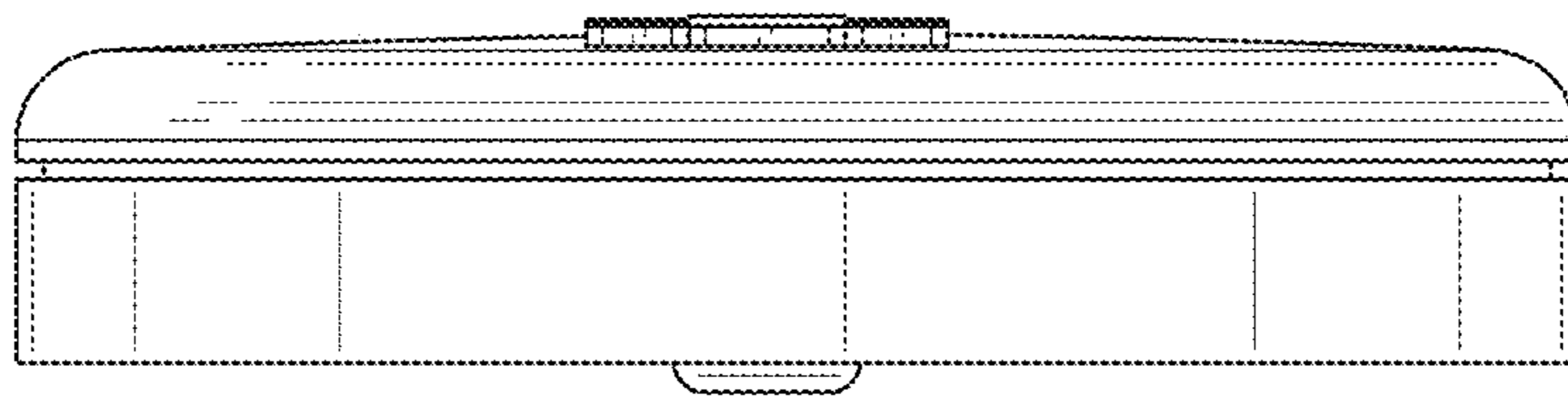


FIG. 4

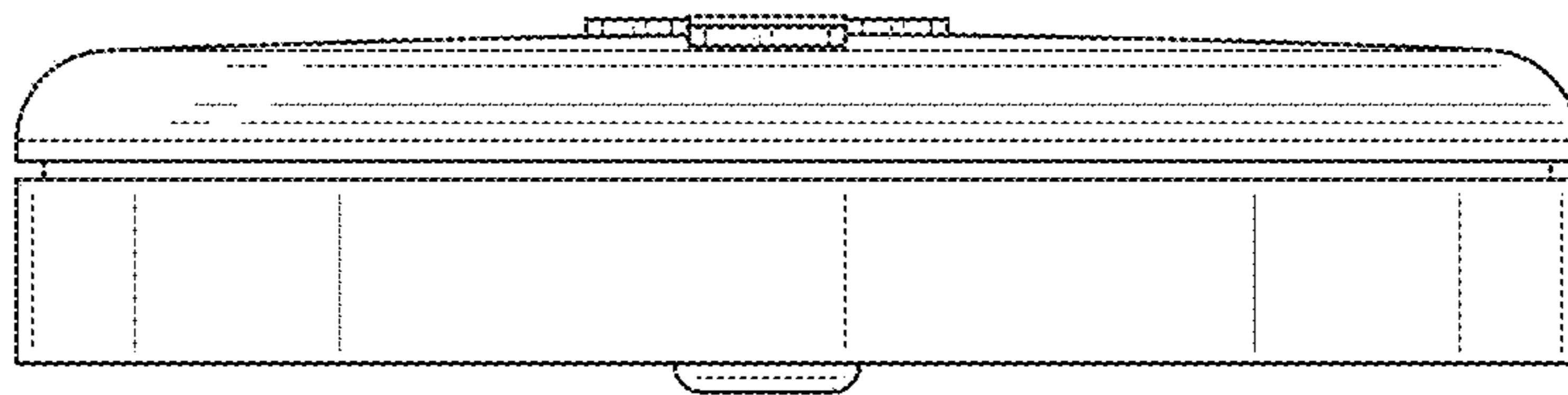


FIG. 5

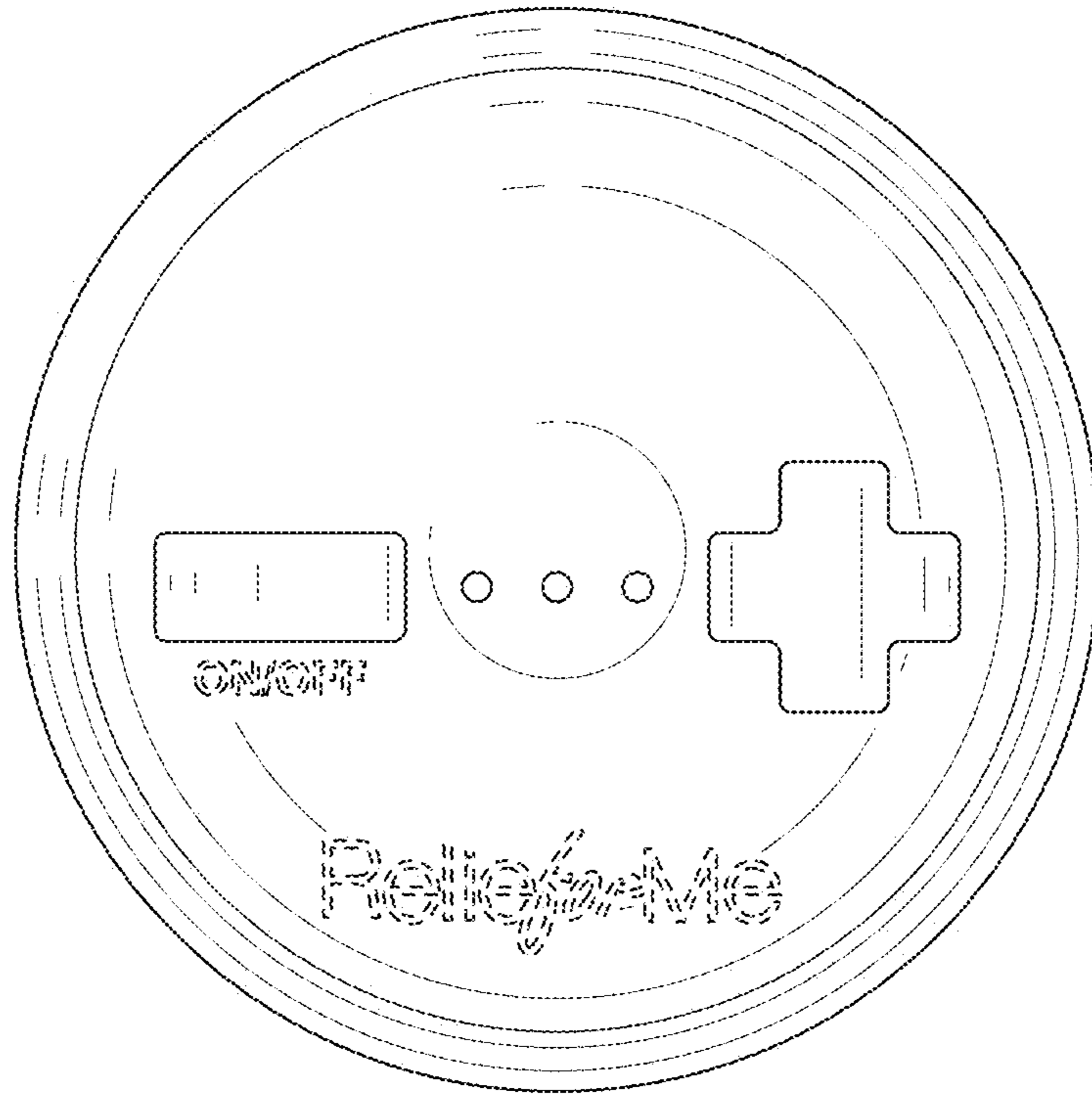


FIG. 6

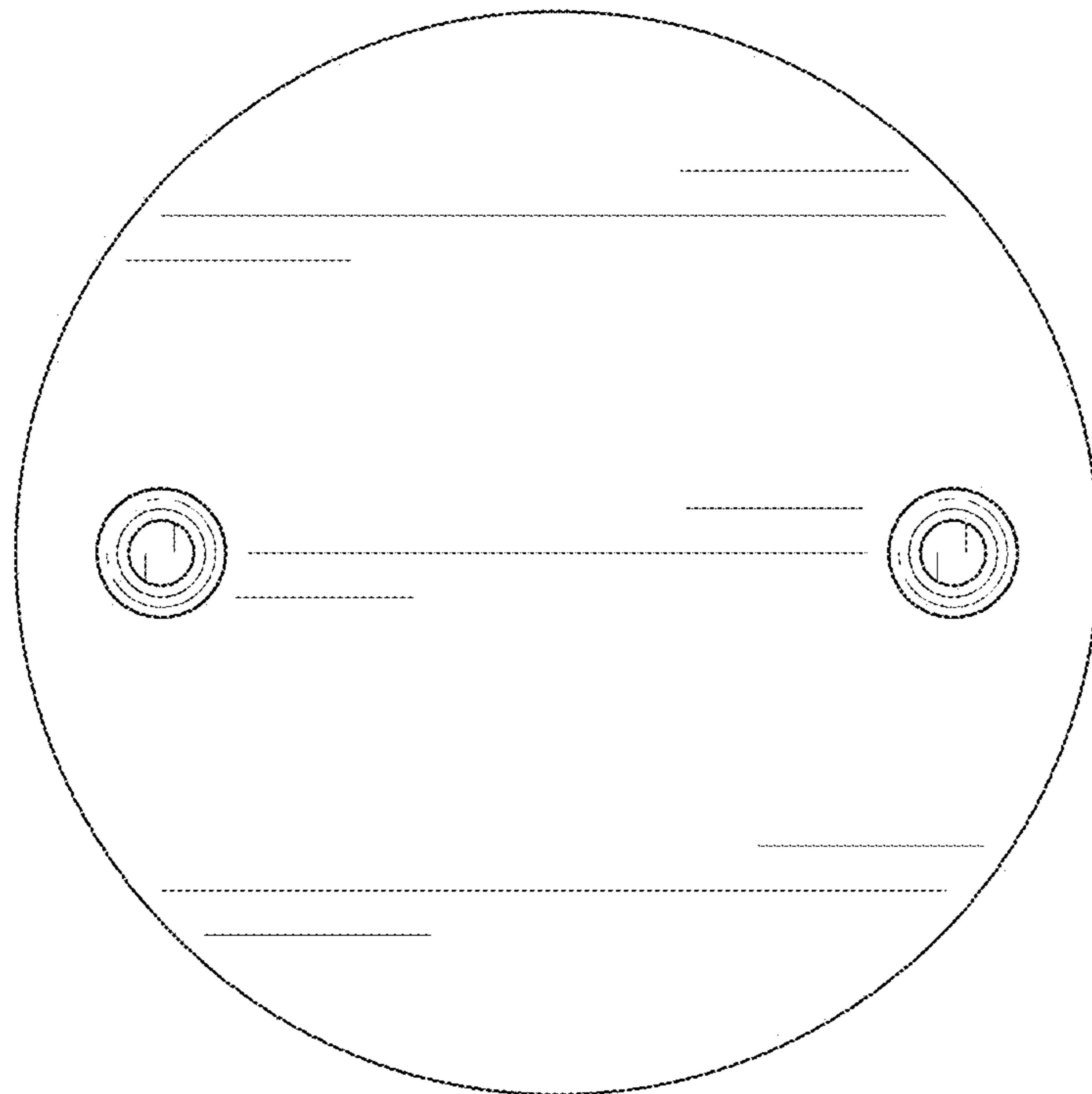


FIG. 7



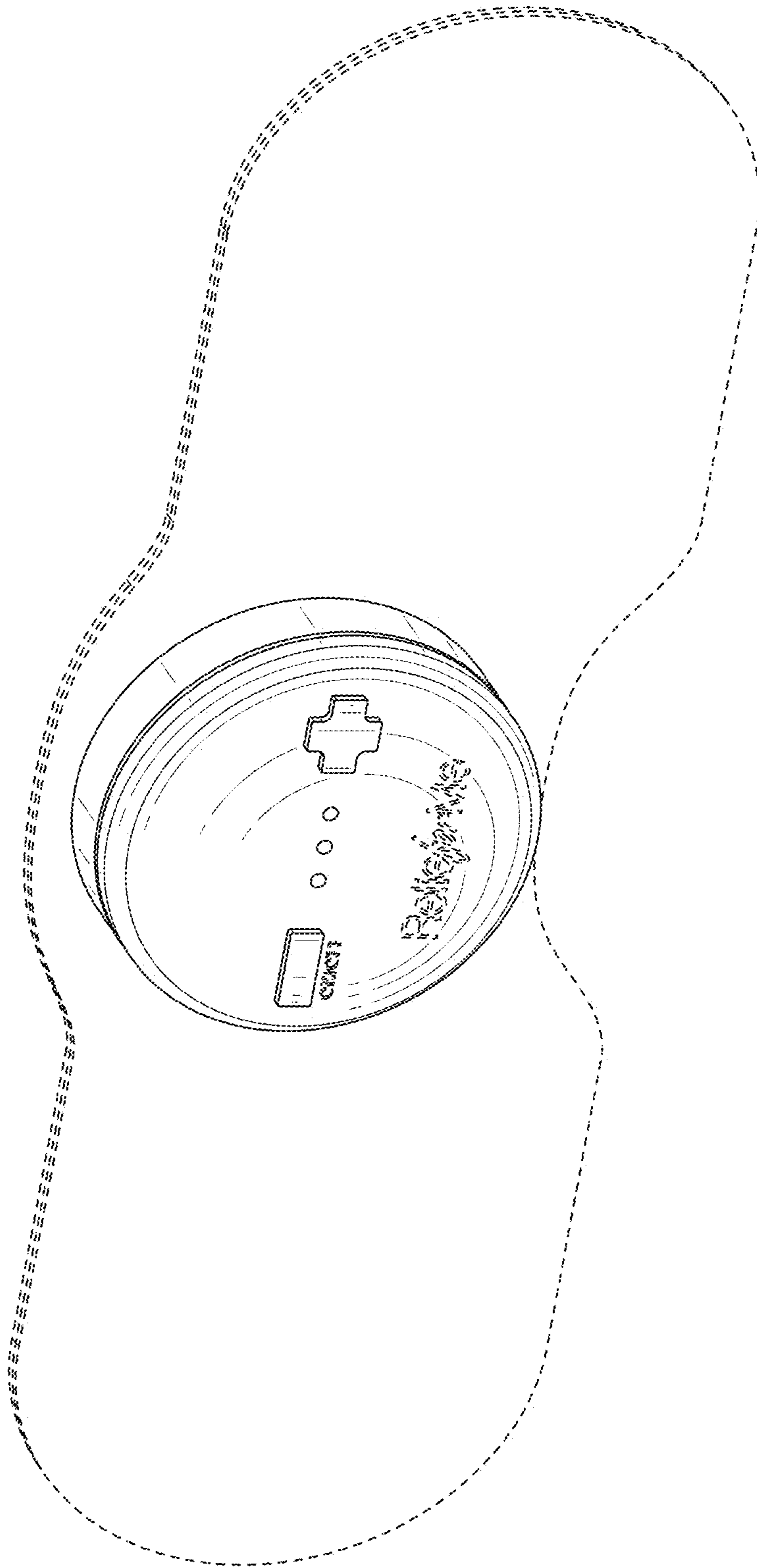


FIG. 8