



US00D934438S

(12) **United States Design Patent** (10) **Patent No.:** **US D934,438 S**  
**deBock et al.** (45) **Date of Patent:** **\*\* Oct. 26, 2021**

- (54) **LEAD PLACEMENT TOOL**
- (71) Applicant: **SPR Therapeutics, Inc.**, Cleveland, OH (US)
- (72) Inventors: **Matthew G. deBock**, Morrisville, NC (US); **Joseph W. Boggs, II**, Chapel Hill, NC (US); **Devin Sell**, Brecksville, OH (US); **Bradley A. Lewis**, Lyndhurst, OH (US)
- (73) Assignee: **SPR THERAPEUTICS, INC.**, Cleveland, OH (US)
- (\*\*) Term: **15 Years**
- (21) Appl. No.: **29/655,077**
- (22) Filed: **Jun. 29, 2018**
- (51) **LOC (13) Cl.** ..... **28-03**
- (52) **U.S. Cl.**  
USPC ..... **D24/200**
- (58) **Field of Classification Search**  
USPC ..... D24/200, 185-187, 144, 107;  
607/115-116  
CPC .. A61N 1/0551; A61N 1/0502; A61N 1/0456;  
A61N 1/36071; A61N 1/36057; A61N 1/36021; A61N 1/36017; A61N 1/36003;  
A61N 1/0534; A61N 1/056  
See application file for complete search history.

(56) **References Cited**

U.S. PATENT DOCUMENTS

- 4,512,351 A \* 4/1985 Pohndorf ..... A61N 1/0551  
607/117
- D326,526 S \* 5/1992 Bucher ..... D24/200
- 8,014,873 B2 \* 9/2011 Jones ..... A61N 1/0553  
607/116
- 8,340,779 B2 \* 12/2012 Harris ..... A61N 1/0551  
607/116

- D686,730 S \* 7/2013 Iustin ..... D24/187
- 8,909,353 B2 \* 12/2014 Harris ..... A61N 1/0551  
607/116
- D745,687 S \* 12/2015 Kitayama ..... D24/187
- 10,226,616 B2 \* 3/2019 Barker ..... A61N 1/05
- 10,307,585 B2 \* 6/2019 Boggs ..... A61N 1/0551
- 2008/0147155 A1 \* 6/2008 Swoyer ..... A61N 1/0551  
607/116
- 2008/0188916 A1 \* 8/2008 Jones ..... A61N 1/0553  
607/116
- 2012/0101380 A1 \* 4/2012 Blum ..... A61N 1/0551  
600/437
- 2012/0143282 A1 \* 6/2012 Fukui ..... A61N 1/0551  
607/48
- 2012/0253445 A1 \* 10/2012 Osypka ..... A61N 1/056  
607/115
- 2013/0053864 A1 \* 2/2013 Geroy ..... A61N 1/0551  
606/129
- 2013/0103107 A1 \* 4/2013 Fan ..... A61N 1/362  
607/115

(Continued)

Primary Examiner — Wan Laymon

(74) Attorney, Agent, or Firm — McDonald Hopkins LLC

(57) **CLAIM**

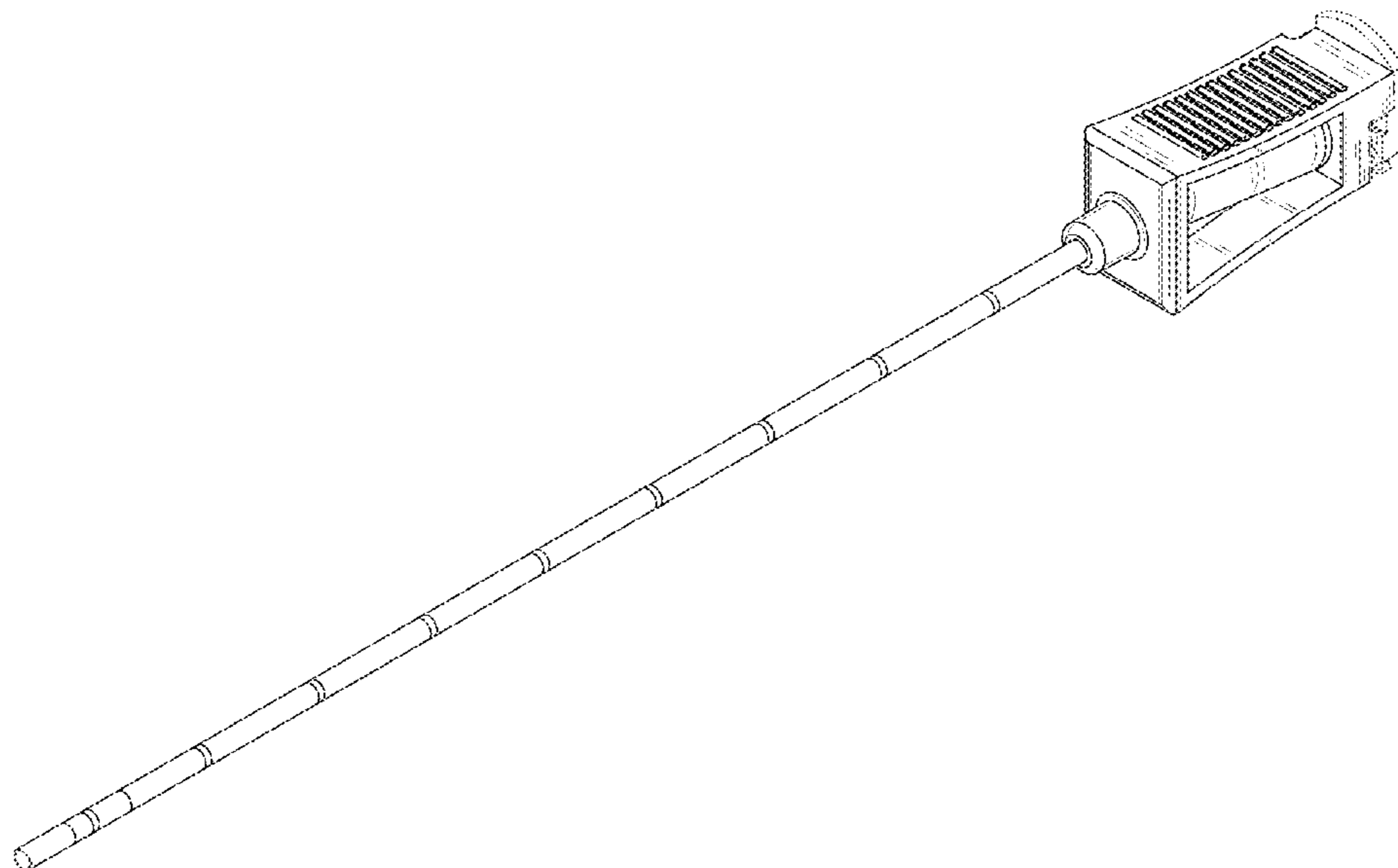
The ornamental design for lead placement tool, as shown and described.

**DESCRIPTION**

FIG. 1 is a perspective view of a sleeve sheath of lead placement tool showing our new design; FIG. 2 is a front view thereof; FIG. 3 is a back view thereof; FIG. 4 is a first side view thereof; FIG. 5 is a second side view thereof; FIG. 6 is a top view thereof; and, FIG. 7 is a bottom view thereof.

The broken lines in the figures are included for the purpose of illustrating portions of lead placement tool and form no part of the claimed design.

**1 Claim, 4 Drawing Sheets**



(56)

**References Cited**

U.S. PATENT DOCUMENTS

2013/0268037 A1\* 10/2013 Schulte ..... A61N 1/0551  
607/116  
2014/0190009 A1\* 7/2014 Anderson ..... A61N 1/0551  
29/877  
2015/0088157 A1\* 3/2015 Harris ..... A61N 1/0551  
606/129  
2017/0340891 A1\* 11/2017 Boggs ..... A61N 1/36071  
2017/0354804 A1\* 12/2017 Harris ..... A61N 1/0551  
2018/0236222 A1\* 8/2018 Boggs ..... A61N 1/36021

\* cited by examiner

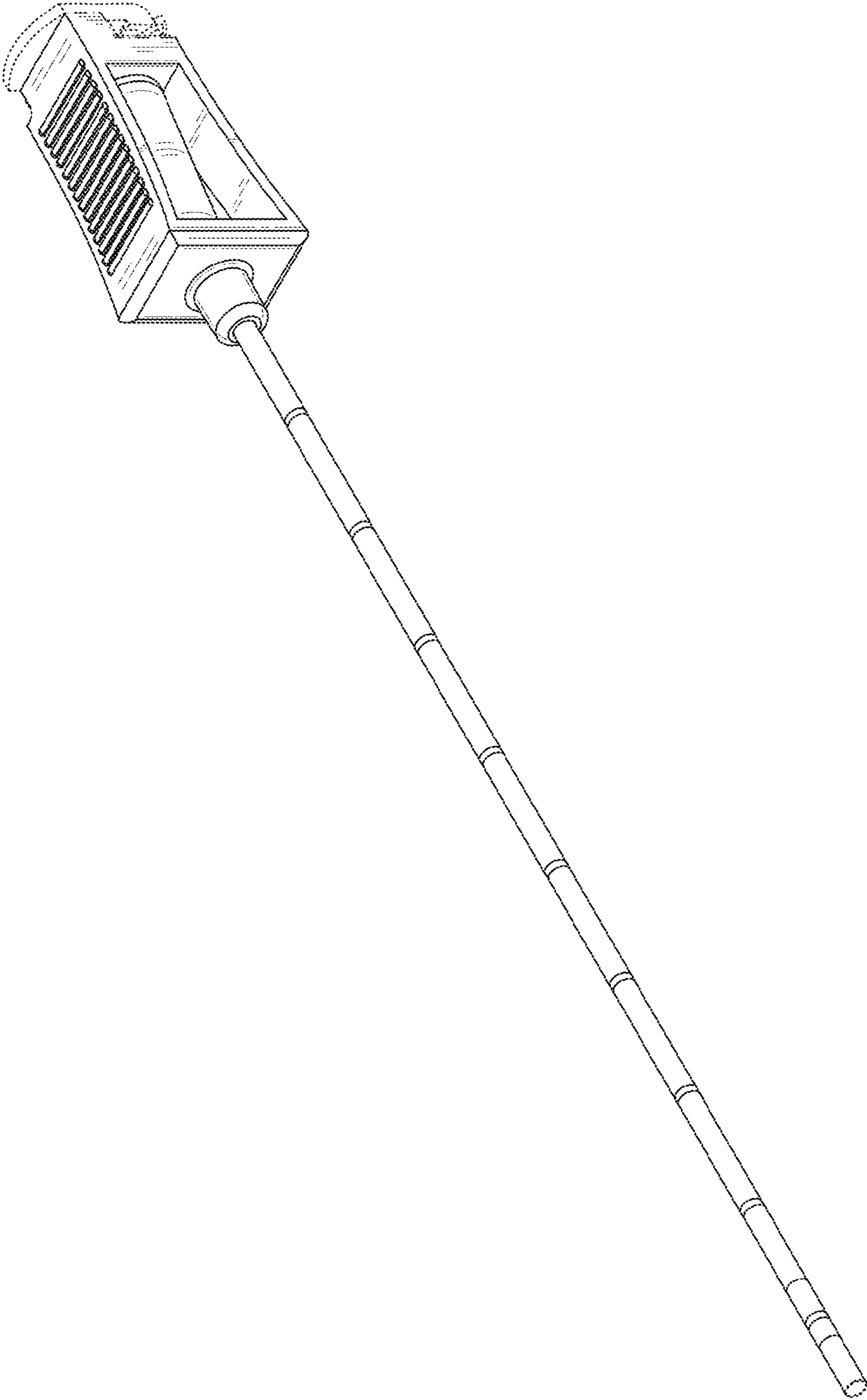


FIG. 1

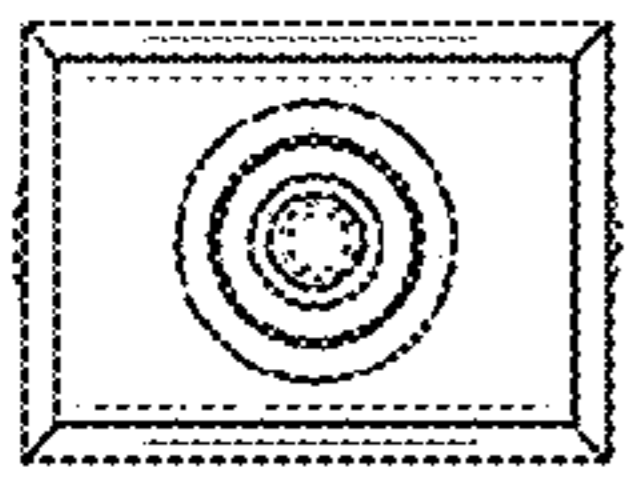


FIG. 2

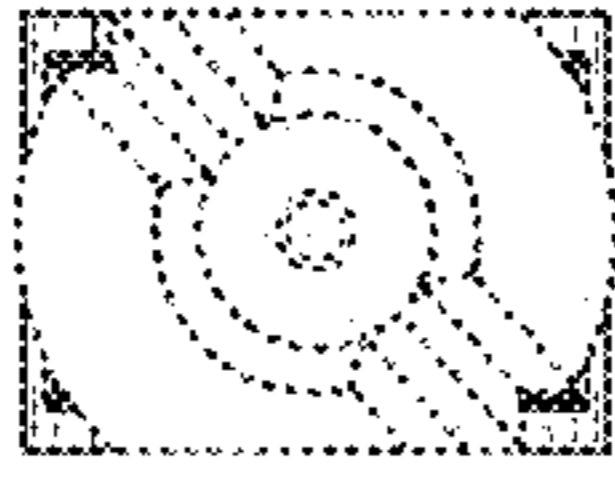


FIG. 3

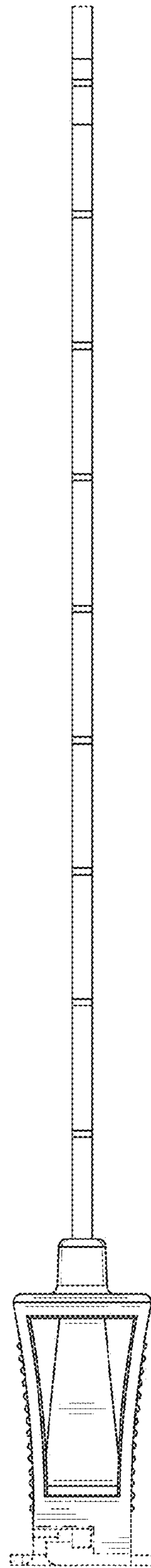


FIG. 4

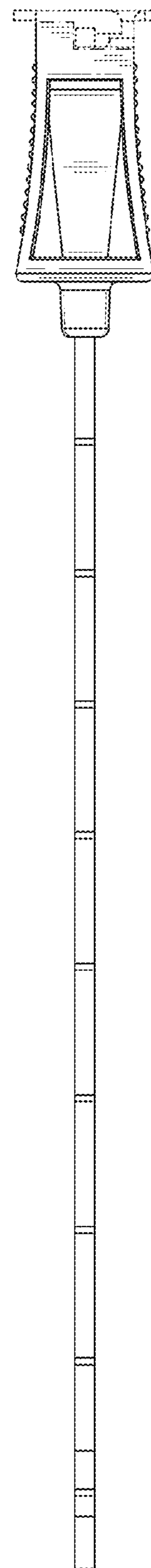


FIG. 5

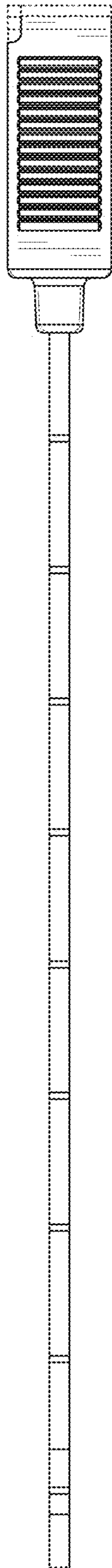


FIG. 6

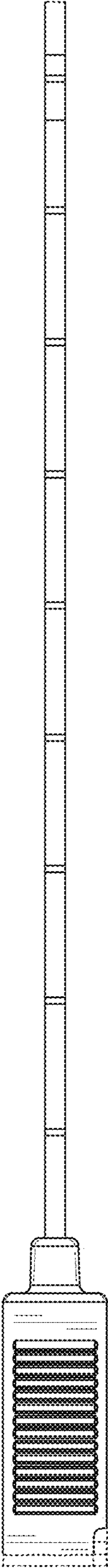


FIG. 7