



US00D934437S

(12) **United States Design Patent** (10) **Patent No.:** **US D934,437 S**
Kwon (45) **Date of Patent:** **** Oct. 26, 2021**

(54) **NIPPLE FOR FEEDING BOTTLE**
(71) Applicant: **UPIS CO., LTD.**, Seoul (KR)
(72) Inventor: **Yeon Ok Kwon**, Seoul (KR)
(73) Assignee: **UPIS CO., LTD.**, Seoul (KR)
(**) Term: **15 Years**

(21) Appl. No.: **29/685,841**
(22) Filed: **Apr. 1, 2019**

(30) **Foreign Application Priority Data**

Mar. 4, 2019 (KR) 30-2019-0009550

(51) **LOC (13) Cl.** **24-04**
(52) **U.S. Cl.**
USPC **D24/196**
(58) **Field of Classification Search**
USPC D24/194, 195, 196, 197, 198, 199;
D9/523, 531, 537, 548, 719; D7/392.1,
D7/511, 534, 619.1, 622
CPC ... A61J 11/00; A61J 11/002; A61J 9/00; A61J
9/0607; A61J 9/0623
See application file for complete search history.

(56) **References Cited**

U.S. PATENT DOCUMENTS

D305,459 S * 1/1990 Smith D24/196
D444,239 S * 6/2001 Kobayashi D24/196
D599,028 S * 8/2009 Schofield D24/196
D602,596 S * 10/2009 Yamashita D24/193
8,910,810 B2 * 12/2014 Rees A61J 11/0065
215/11.5
D724,747 S * 3/2015 Lo D24/194
D861,895 S * 10/2019 Clores D24/196
2004/0256345 A1 * 12/2004 Lundquist A61J 11/04
215/11.5
2005/0247658 A1 * 11/2005 Renz A61J 11/006
215/11.1

2009/0255895 A1 * 10/2009 Kiehne A61J 11/001
215/11.5
2015/0231036 A1 * 8/2015 Kemper A61J 11/045
215/11.5
2016/0262985 A1 * 9/2016 Fan A61J 9/0623
2017/0258687 A1 * 9/2017 Itzek A61J 11/045

OTHER PUBLICATIONS

“UPIS: bottle”. Found online May 28, 2020 at facebook.com. Reference dated Dec. 26, 2019. Retrieved from <https://www.facebook.com/kidsplaza.com.vn/posts/3578035665570715/>.
“Pigeon: Baby Bottle”. Found online Aug. 11, 2021 at amazon.co.uk. Reference dated Feb. 23, 2015. Retrieved from https://www.amazon.co.uk/Pigeon-Bottles-Glass-Orange-Yellow/dp/B00336FULC/ref=sr_1_1?.

(Continued)

Primary Examiner — Kendra Leslie Hamilton
(74) *Attorney, Agent, or Firm* — Novick, Kim & Lee, PLLC; Sang Ho Lee; Hyun Woo Shin

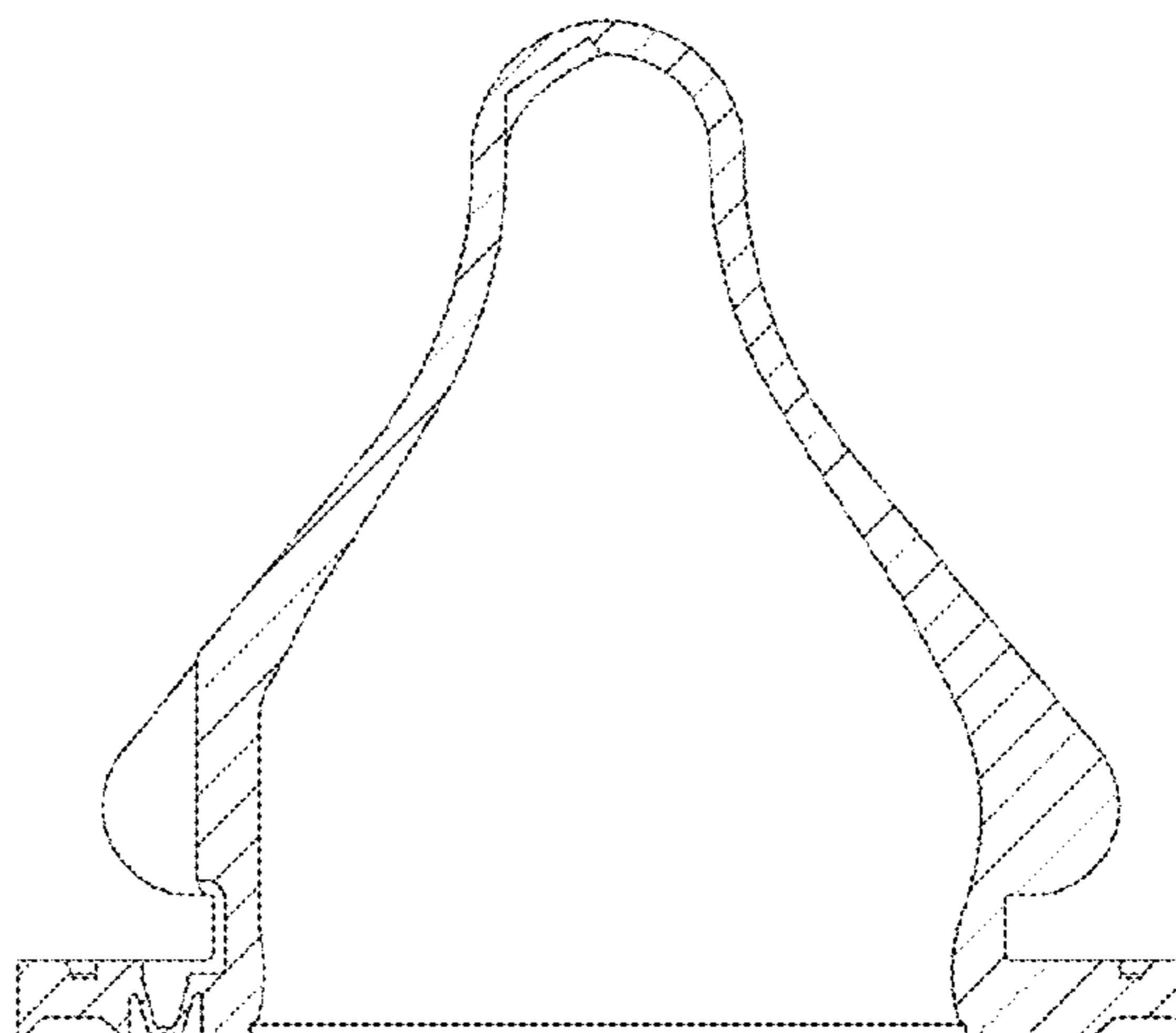
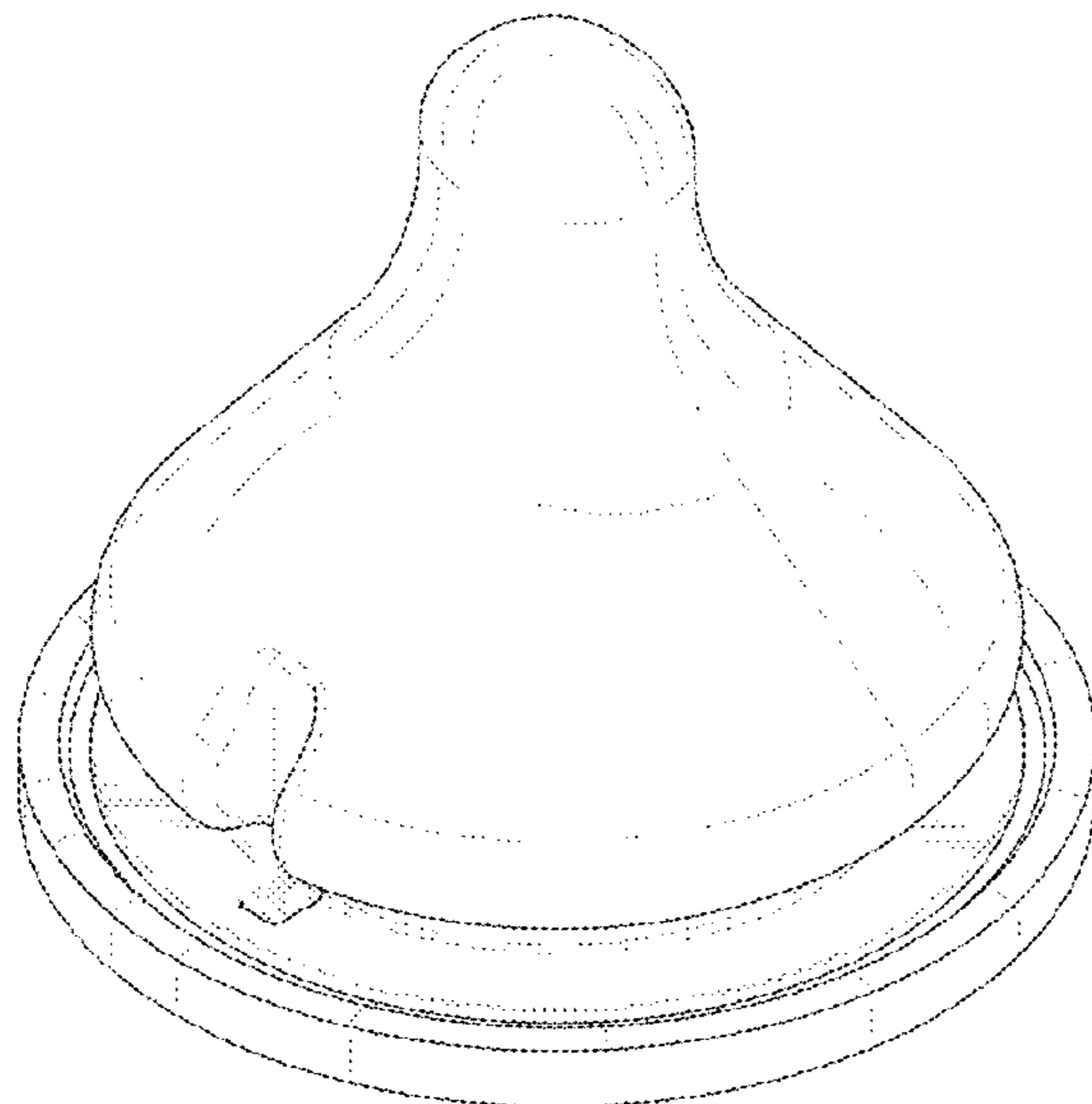
(57) **CLAIM**

I claim the ornamental design for a nipple for feeding bottle, as shown and described.

DESCRIPTION

FIG. 1 is a top, front, left perspective view of a nipple for feeding bottle, showing my new design;
FIG. 2 is a front elevation view thereof;
FIG. 3 is a rear elevation view thereof;
FIG. 4 is a left side elevation view thereof;
FIG. 5 is a right side elevation view thereof;
FIG. 6 is a sectional elevation view of the nipple for feeding bottle of FIG. 1, taken in the direction of line 6-6 of FIG. 2;
FIG. 7 is a top plan view of the nipple for feeding bottle of FIG. 1; and,
FIG. 8 is a bottom plan view thereof.

1 Claim, 5 Drawing Sheets



(56)

References Cited

OTHER PUBLICATIONS

“Brother Max: Breastmilk Baby Bottles”. Found online Aug. 11, 2021 at amazon.com. Reference dated Aug. 7, 2019. Retrieved from https://www.amazon.com/Pet-Hair-Remover-Laundry-Non-Toxic/dp/B07X37PDJ R/ref=cm_cr_arp_d_product_top?ie=UTF8.*

“Joovy Boob with Insulator Baby Bottle”. Found online Mar. 1, 2018 at amazon.com. Reference dated Nov. 30, 2013. Retrieved from https://www.amazon.com/Joovy-Insulator-Bottle-Purpleness-Ounce/dp/B00HXDVNE4/ref=sr_1_12_a_it?ie=UTF8&qid=1519950868&sr=8-12&keywords=joovy+bottle.*

* cited by examiner

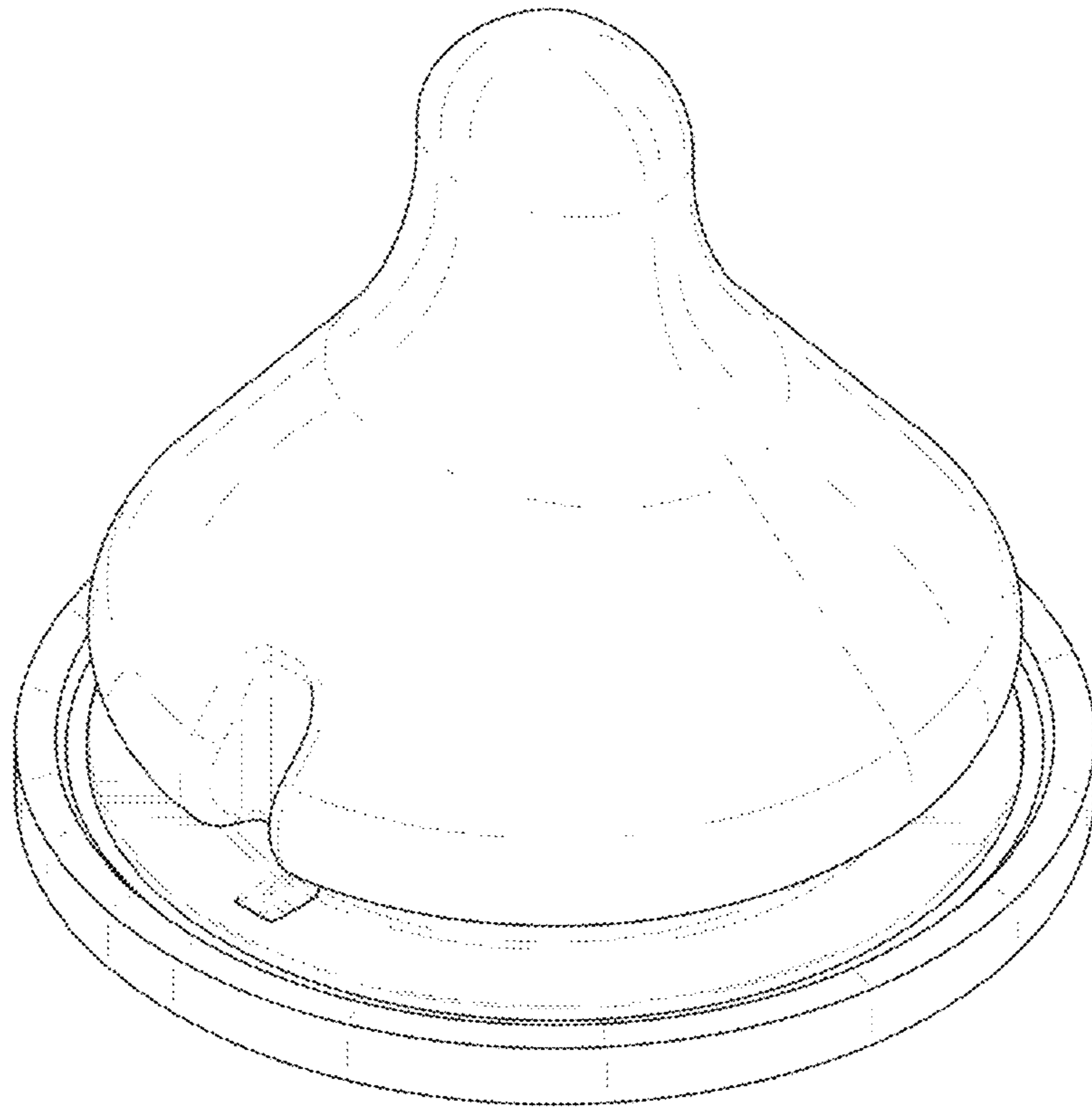


FIG. 1

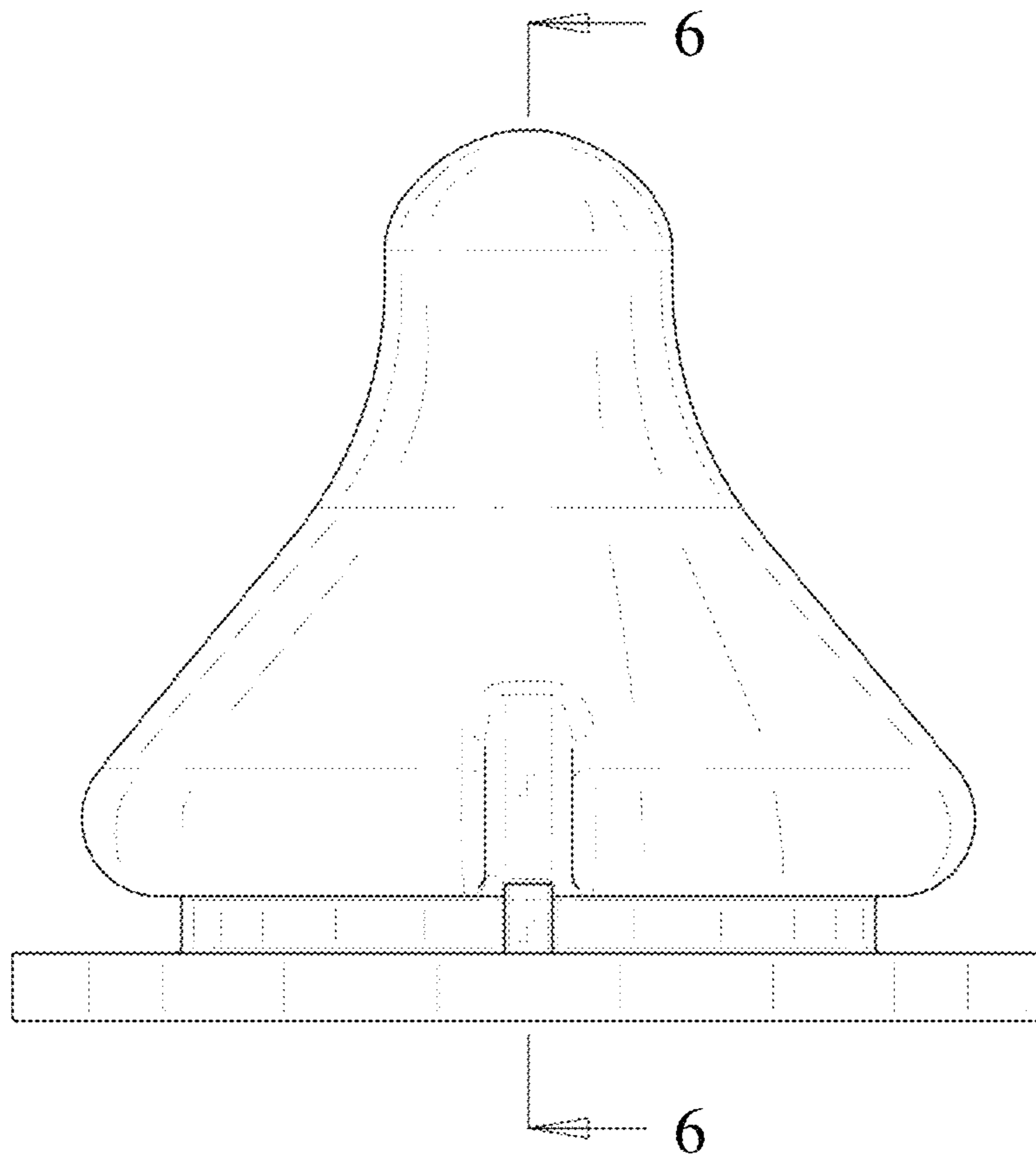


FIG. 2

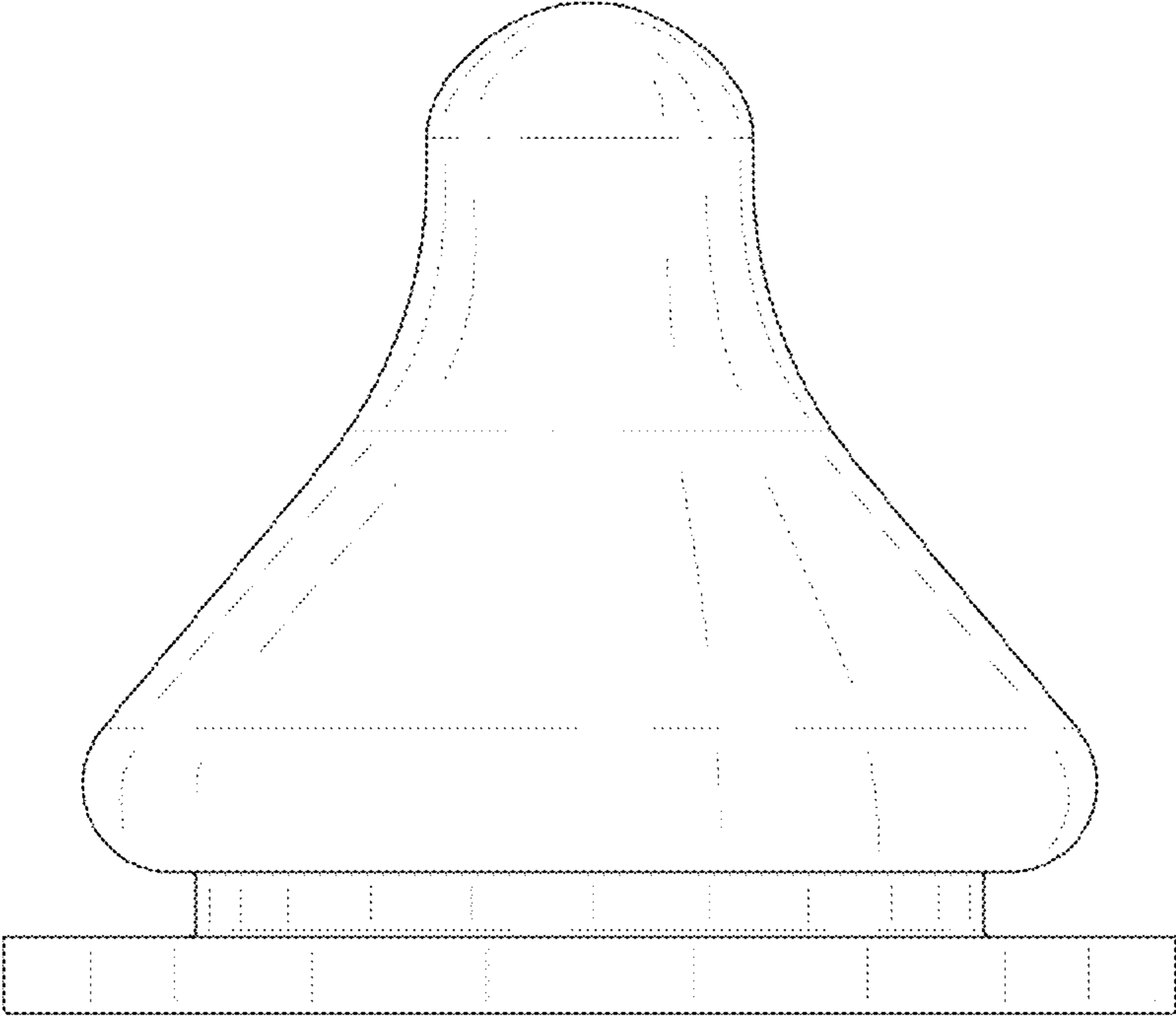


FIG. 3

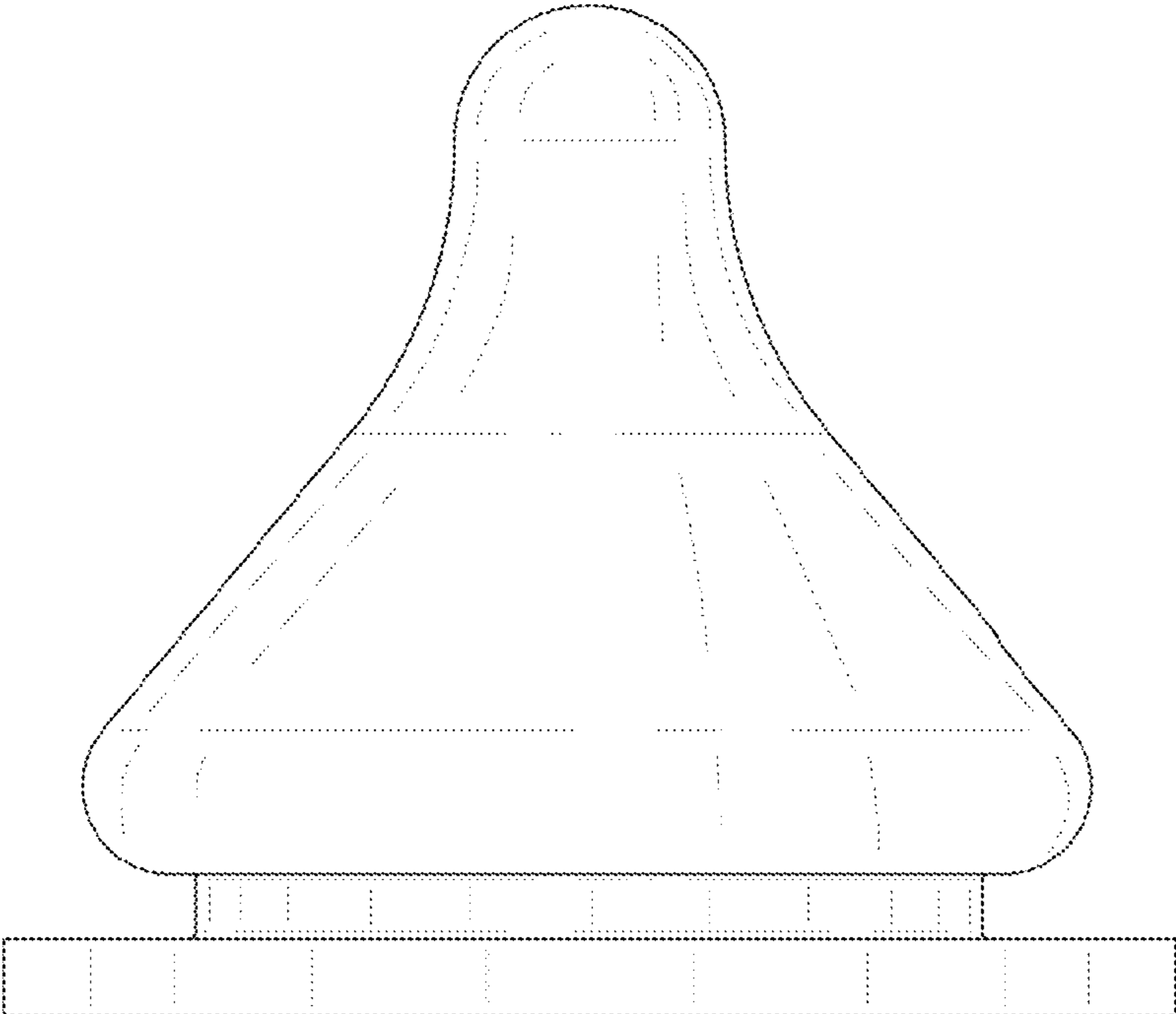


FIG. 4

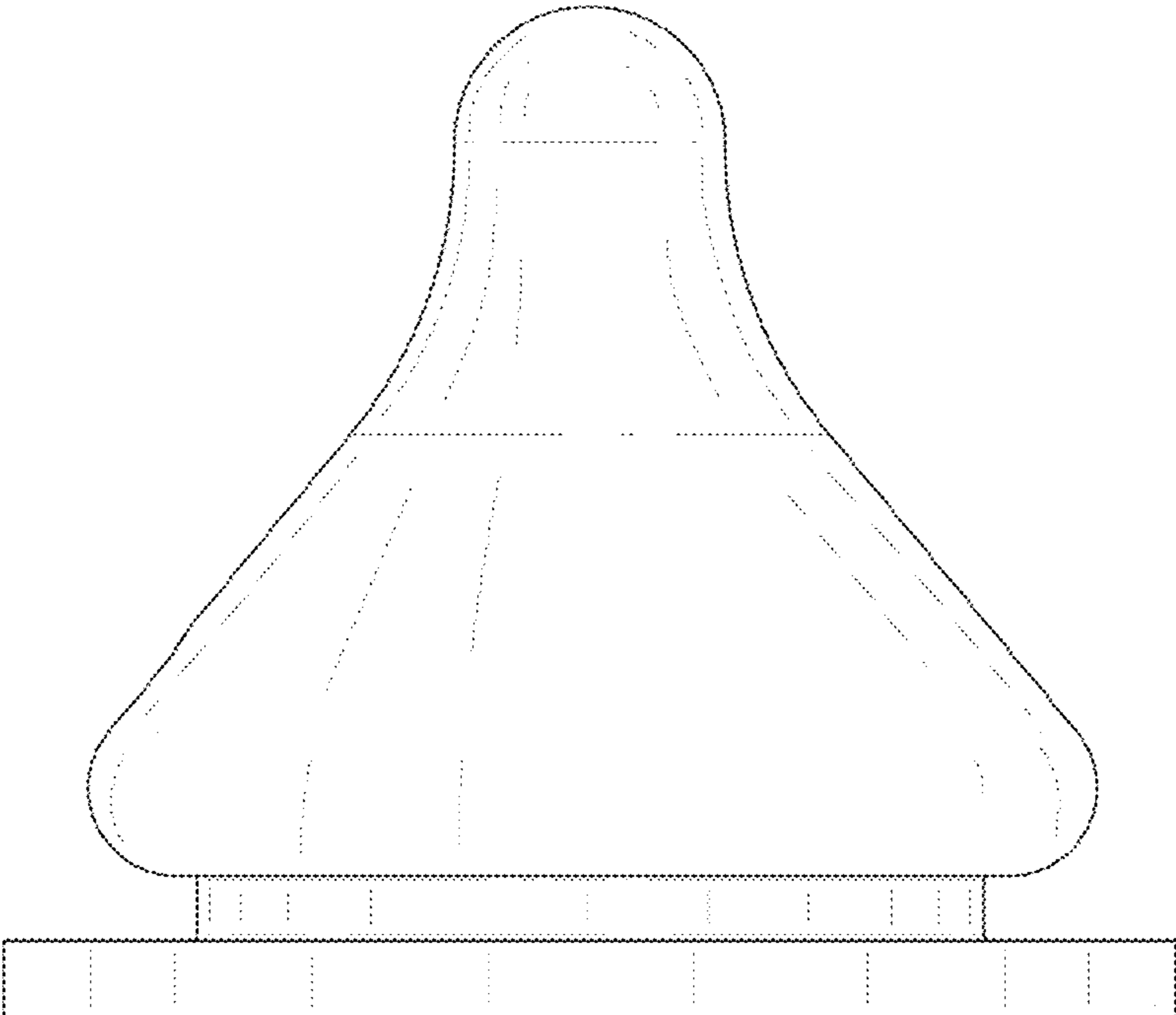


FIG. 5

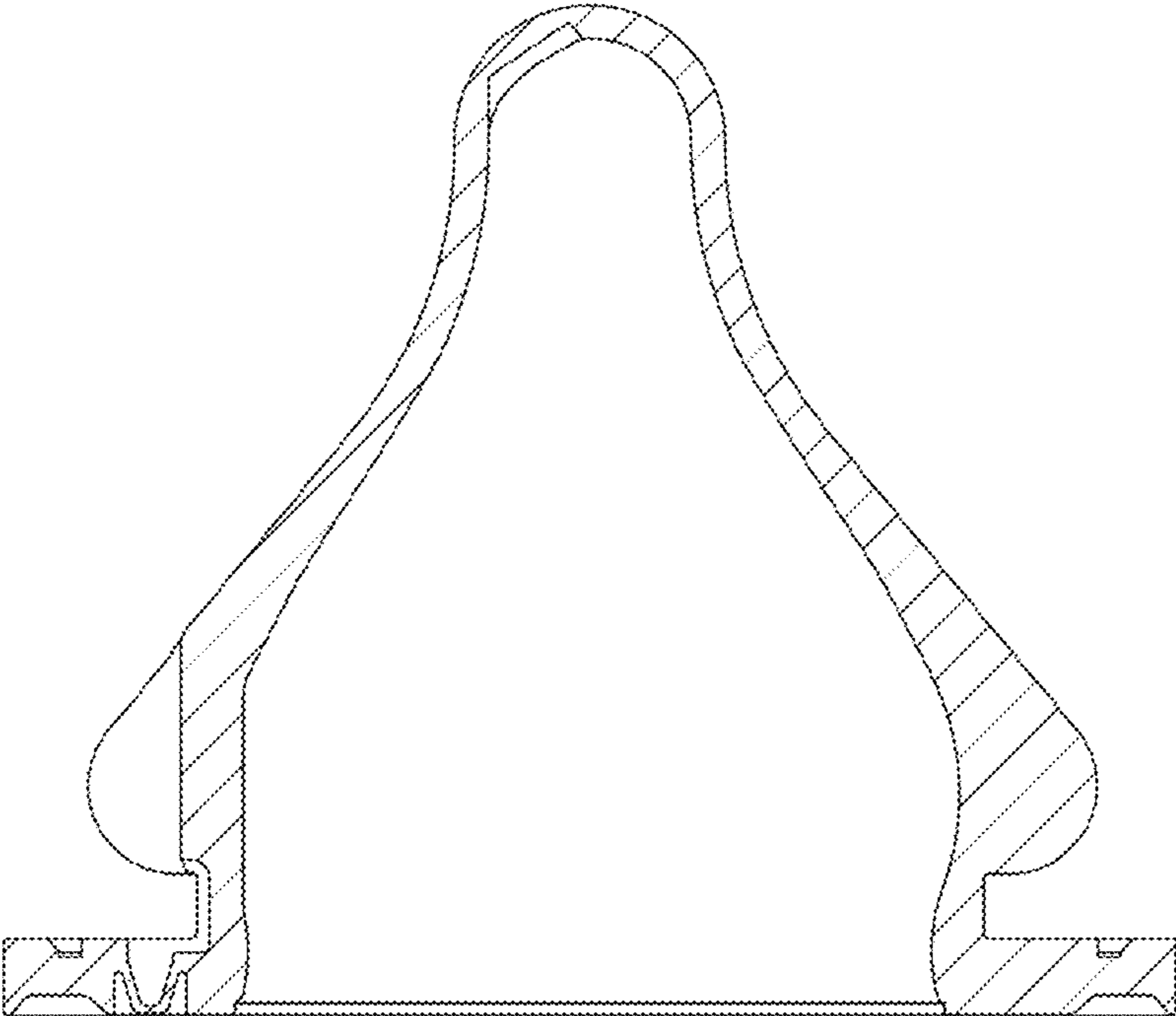


FIG. 6

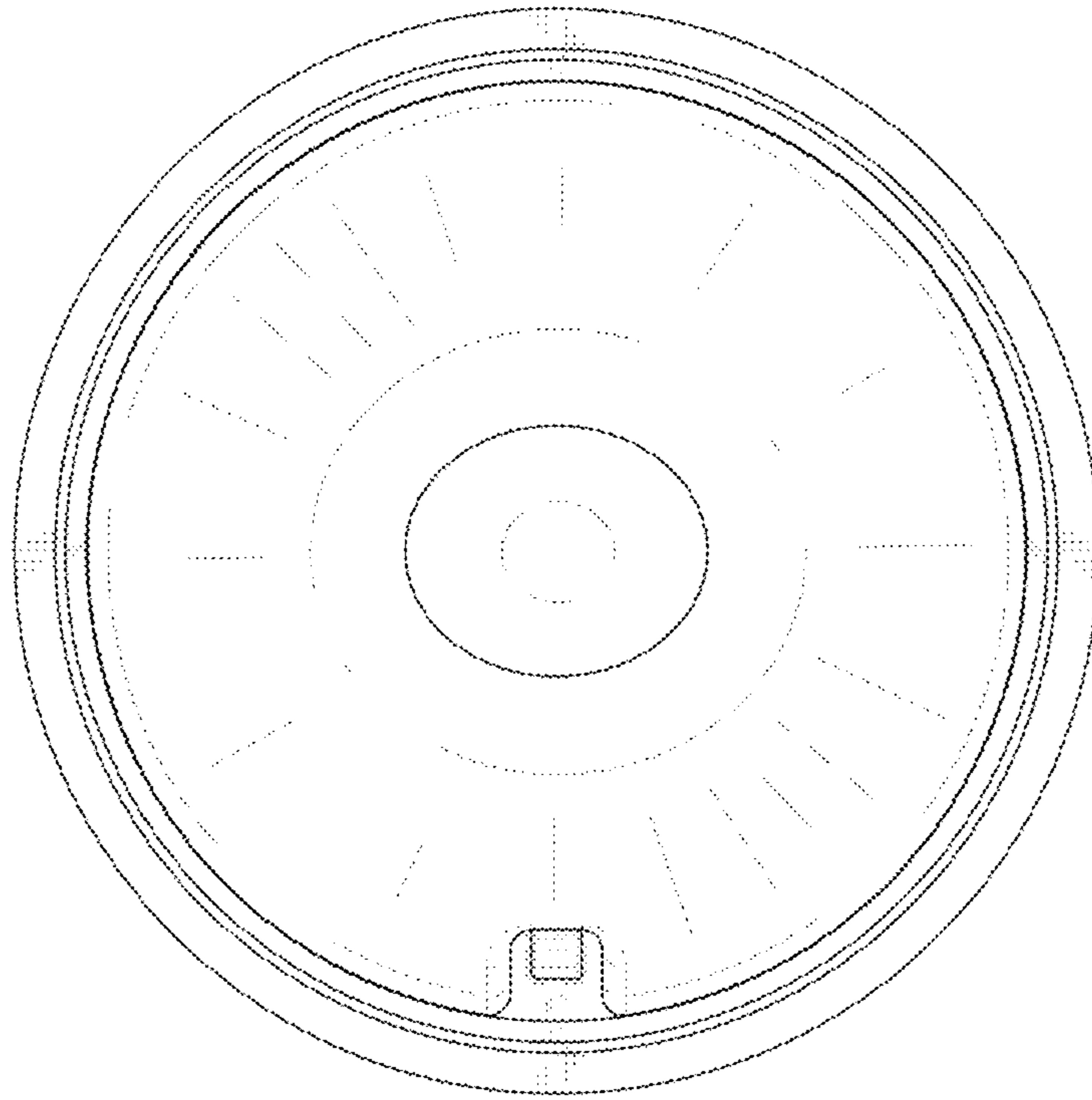


FIG. 7

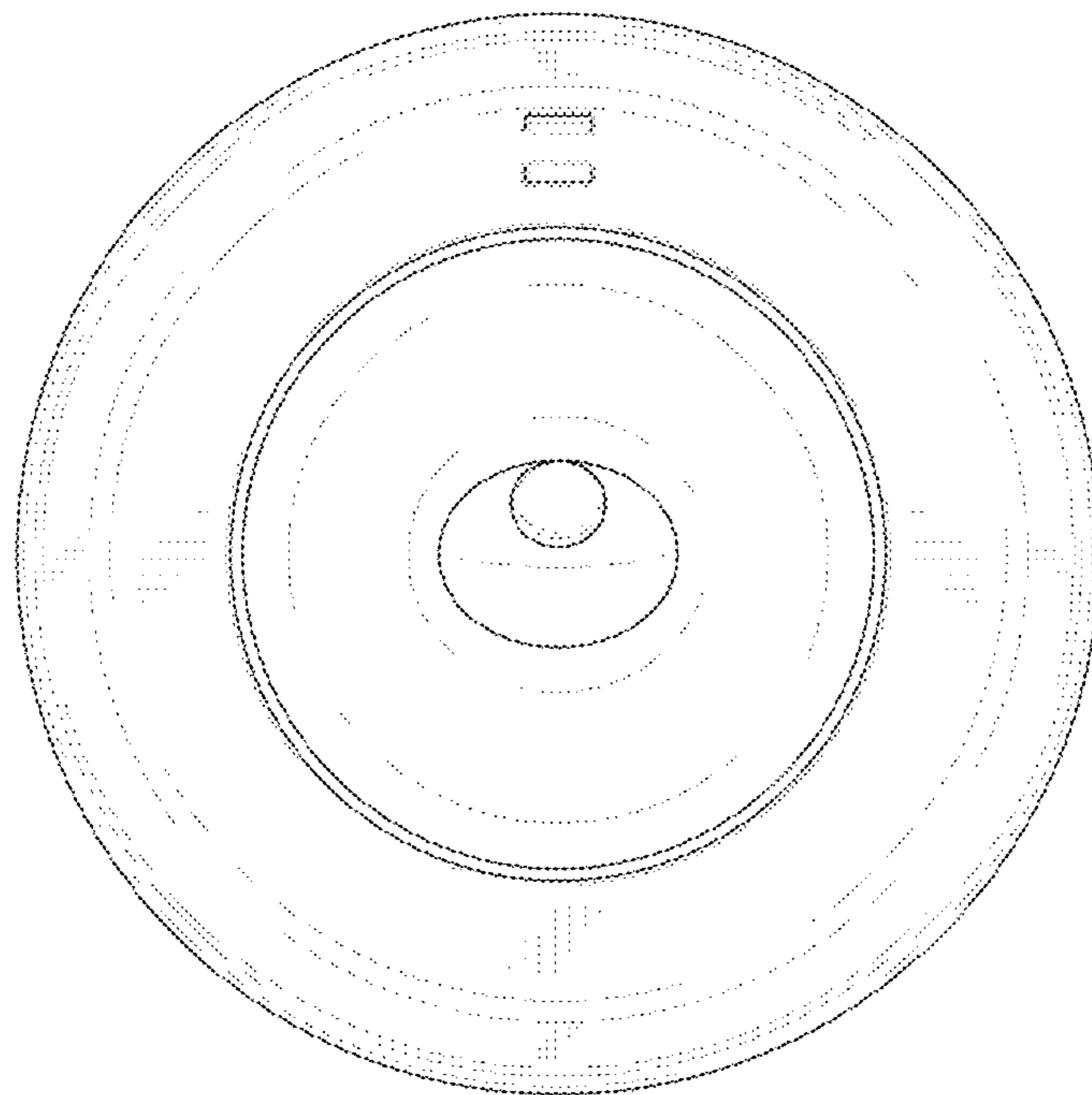


FIG. 8