

US00D934434S

(12) **United States Design Patent**
Schiavoni

(10) **Patent No.:** **US D934,434 S**

(45) **Date of Patent:** **** Oct. 26, 2021**

- (54) **ORAL THERAPY CHEW TOOL**
- (71) Applicant: **Mary E. Schiavoni**, Saco, ME (US)
- (72) Inventor: **Mary E. Schiavoni**, Saco, ME (US)
- (**) Term: **15 Years**

- 5,395,392 A 3/1995 Suhonen
- 5,649,964 A 7/1997 Berman et al.
- 5,735,772 A 4/1998 Schiavoni
- 5,814,074 A 9/1998 Branam
- D404,885 S 2/1999 Tomaszewski et al.
- 5,897,492 A 4/1999 Feller et al.

(Continued)

- (21) Appl. No.: **29/718,577**
- (22) Filed: **Dec. 26, 2019**
- (51) **LOC (13) Cl.** **24-04**
- (52) **U.S. Cl.**
USPC **D24/194**
- (58) **Field of Classification Search**
USPC D24/193, 194, 195, 208, 214; D30/160;
D1/106, 107, 110, 115, 125; D21/483,
D21/496, 532, 576, 603, 615, 622, 650
CPC A61J 17/02; A61J 17/111; A61J 2200/44
See application file for complete search history.

FOREIGN PATENT DOCUMENTS

- GB 12655 8/1896
- GB 2159720 12/1985

(Continued)

OTHER PUBLICATIONS

“ARK: Textured Grabber Sensory Chew”. Found online Mar. 21, 2019 at arktherapeutic.com. Reference dated Jun. 3, 2015. Retrieved from https://www.arktherapeutic.com/arks-textured-grabber-sensory-chew/?revpage=5%20#product-reviews.*

(Continued)

(56) **References Cited**

U.S. PATENT DOCUMENTS

- 58,186 A 9/1866 Bourguard
- D27,852 S 11/1897 Coakley et al.
- 1,749,632 A 3/1930 Ferris
- 2,115,405 A 10/1936 Allen
- D136,206 S 8/1943 Allen
- 2,612,165 A 9/1952 Szuderski
- D170,051 S 7/1953 Colm
- 2,826,201 A 3/1958 Yoder
- 3,014,286 A 12/1961 Hricak
- 3,118,667 A 1/1964 Barons
- 3,744,485 A 7/1973 Worthy
- 3,818,911 A 6/1974 Fournier
- 3,867,770 A 2/1975 Davis
- D273,990 S 5/1984 Lamsam
- 4,997,182 A 3/1991 Kussick
- 5,213,553 A 5/1993 Light
- D336,520 S 6/1993 McDaniel
- 5,263,976 A 11/1993 Williams
- 5,318,523 A 6/1994 Lu
- 5,334,218 A 8/1994 Johnson

Primary Examiner — Kendra Leslie Hamilton

(74) *Attorney, Agent, or Firm* — Thomas P. O’Connell;
O’Connell Law Firm

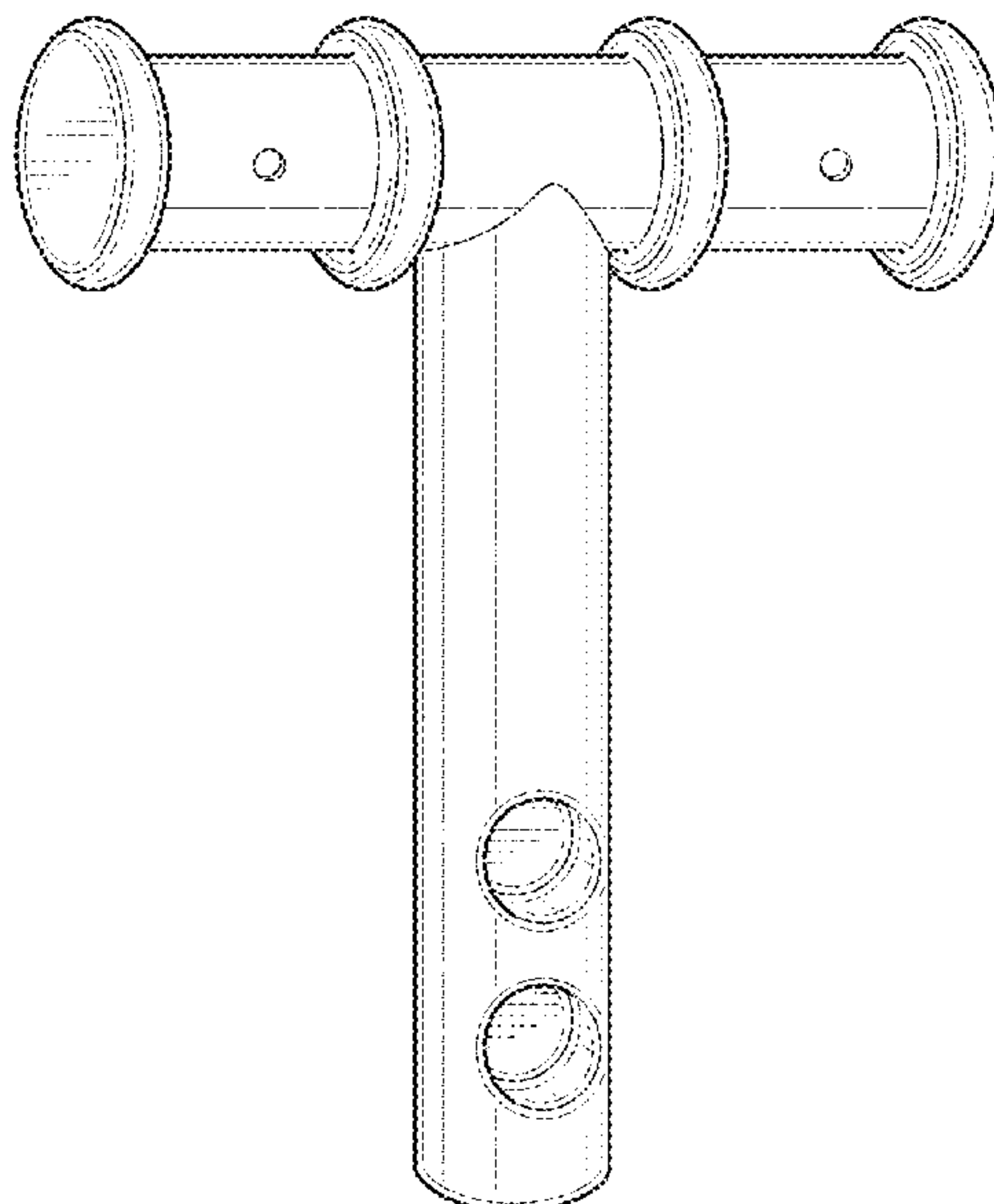
(57) **CLAIM**

The ornamental design for an oral therapy chew tool, as shown and described.

DESCRIPTION

FIG. 1 is a perspective view of an oral therapy chew tool showing my new design;
FIG. 2 is a top plan view thereof;
FIG. 3 is a bottom plan view thereof;
FIG. 4 is a left side elevation view thereof;
FIG. 5 is a right side elevation view thereof;
FIG. 6 is a rear elevation view thereof; and,
FIG. 7 is a front elevation view thereof.

1 Claim, 4 Drawing Sheets



(56)

References Cited

U.S. PATENT DOCUMENTS

D411,623 S 6/1999 Schiavoni
 5,954,749 A 9/1999 Fields et al.
 6,134,790 A 10/2000 Watson
 6,325,817 B1 12/2001 Shen
 D461,558 S 8/2002 Schiavoni
 D496,833 S 10/2004 Lantz
 6,863,681 B2 3/2005 Dickerson
 D522,658 S 6/2006 Schiavoni
 D539,430 S * 3/2007 Lowsky, Jr. D24/194
 D552,745 S * 10/2007 Beckman D24/194
 D565,738 S 4/2008 Rohrig
 D584,823 S * 1/2009 Conlon D24/194
 8,211,144 B2 7/2012 Rohrig
 D673,284 S 12/2012 Lowsky
 D674,494 S * 1/2013 Roehrig D24/194
 D682,435 S 5/2013 Lowsky, Jr.
 D713,873 S * 9/2014 Riddle D19/59
 D721,439 S * 1/2015 Swartz D24/194
 D746,018 S * 12/2015 Axelrod D1/199
 D749,922 S 2/2016 Masalin et al.
 9,855,187 B2 1/2018 Martin et al.
 10,029,144 B2 7/2018 Noguchi et al.
 D844,909 S * 4/2019 Crane D30/160
 D889,067 S * 7/2020 Chu D24/194
 2004/0194322 A1 10/2004 Bullard et al.
 2004/0215234 A1 10/2004 McCardell
 2005/0091854 A1 5/2005 Johnson
 2006/0102099 A1 * 5/2006 Edwards A01K 15/026
 119/710
 2007/0112386 A1 5/2007 Branam

2009/0287247 A1 * 11/2009 Chipperson A61J 11/00
 606/235
 2011/0106156 A1 5/2011 Arbib
 2011/0214300 A1 9/2011 Matari
 2012/0290007 A1 * 11/2012 Rohrig A61J 17/02
 606/235
 2014/0243895 A1 * 8/2014 Kellogg A63H 33/006
 606/235

FOREIGN PATENT DOCUMENTS

GB 2376410 A 12/2002
 GN 201275285 Y 7/2009
 WO 2014074123 A1 5/2014

OTHER PUBLICATIONS

“Canay: Hollow Teething Tubes”. Found online Apr. 22, 2021 at amazon.com. Reference dated Jul. 16, 2020. Retrieved from https://www.amazon.com/Hollow-Teething-Tubes-6-8-Long/dp/B08BTV729G/ref=cm_cr_arp_d_product_top?.*
 “Chewy Tubes: Knobby Texture Chewy Tube”. Found online Nov. 17, 2016 at amazon.com. Reference dated Oct. 18, 2008. Retrieved from https://www.amazon.com/Knobby-Texture-Chewy-Tube-Green/dp/B00175ROGU/ref=cm_cr_arp_d_product_top?ie=UTF8.*
 “Chubes: Sensory Chew Necklace”. Found online Sep. 15, 2020 at amazon.com. Reference dated Feb. 17, 2014. Retrieved from https://www.amazon.com/Chubes-Necklace-Sensory-Anxiety-Autism/dp/B00IHQP2AM/ref=sr_1_10?dchild=1&keywords=chewigem&qid=1600206002.*

* cited by examiner

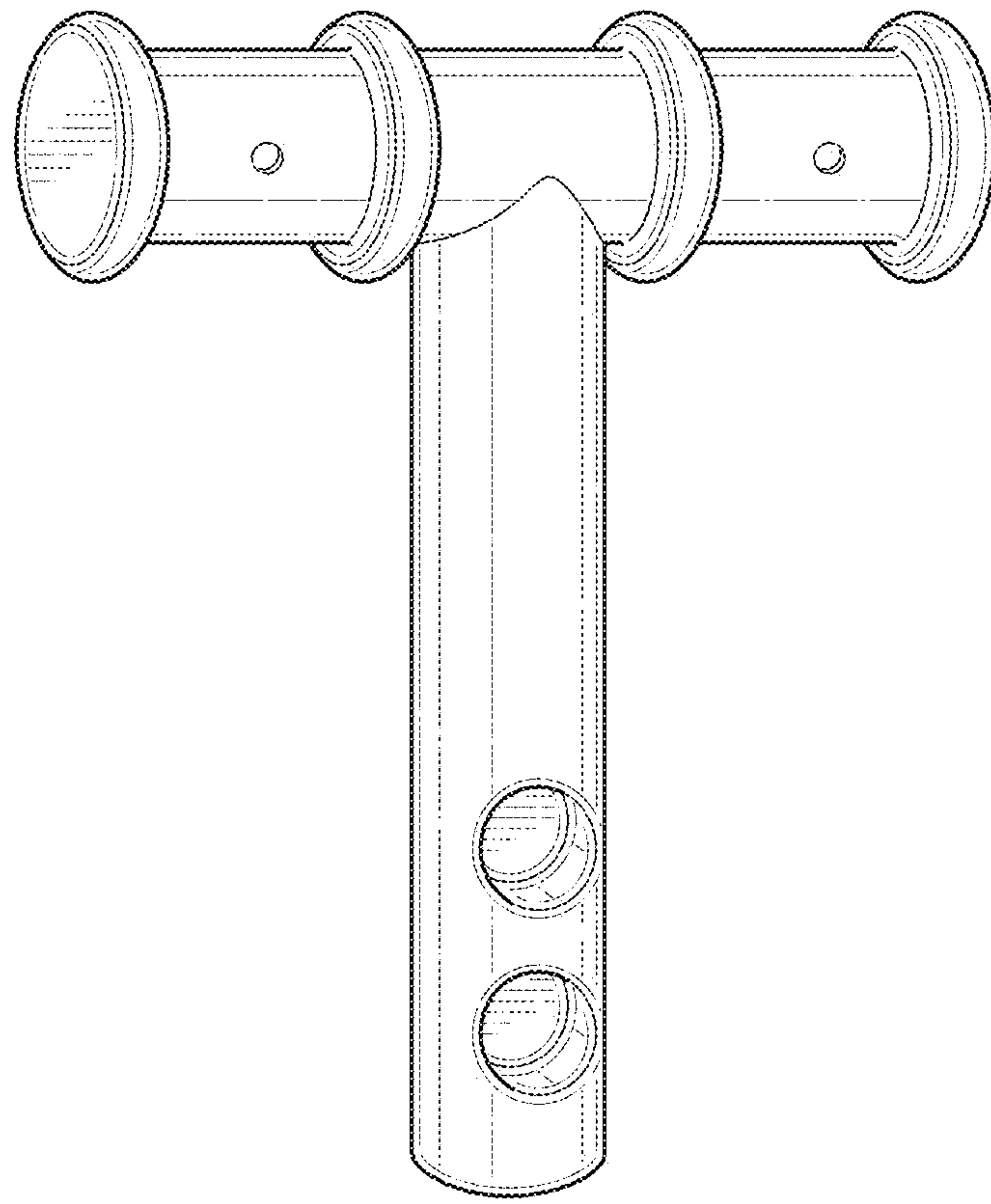


FIG. 1

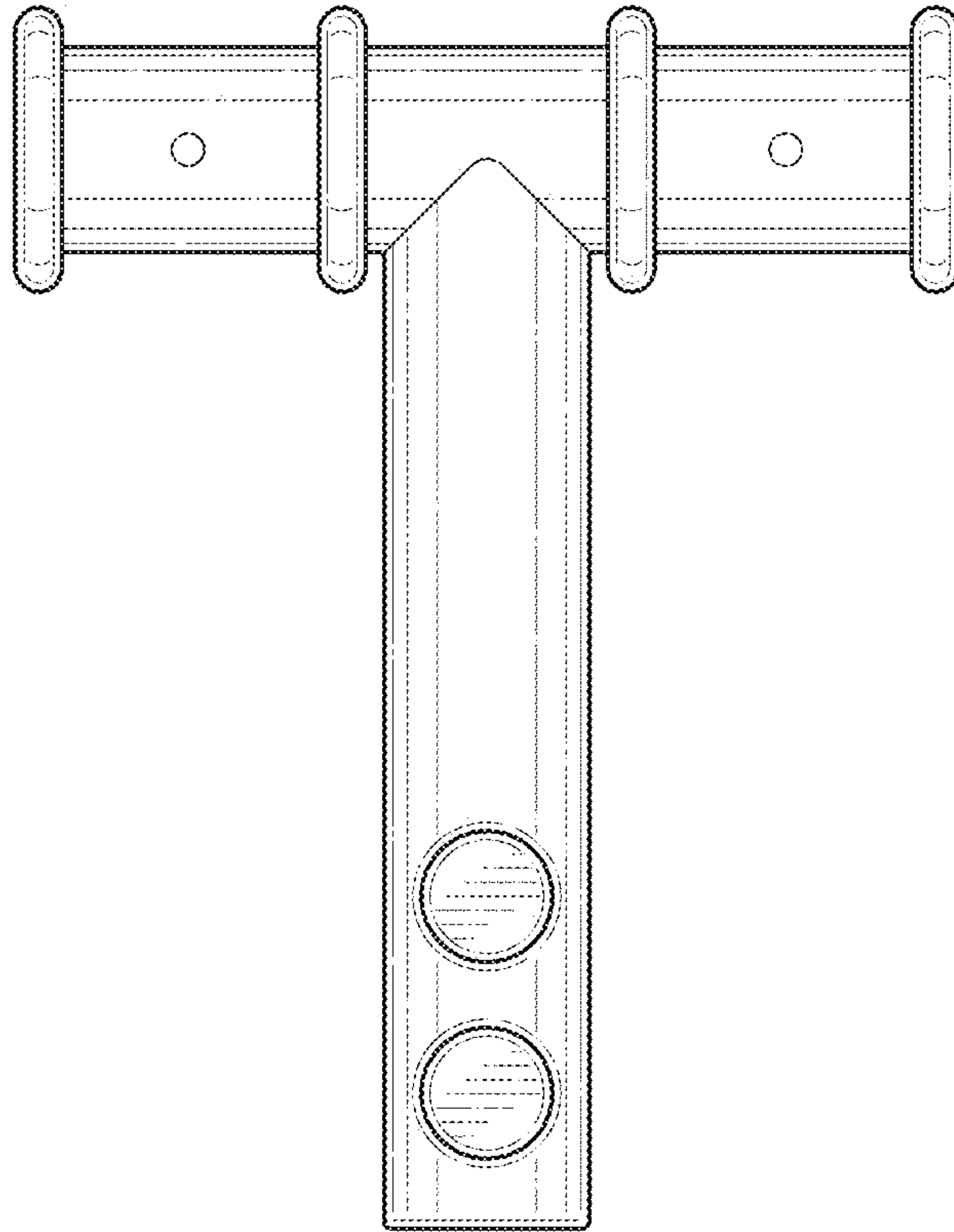


FIG. 2

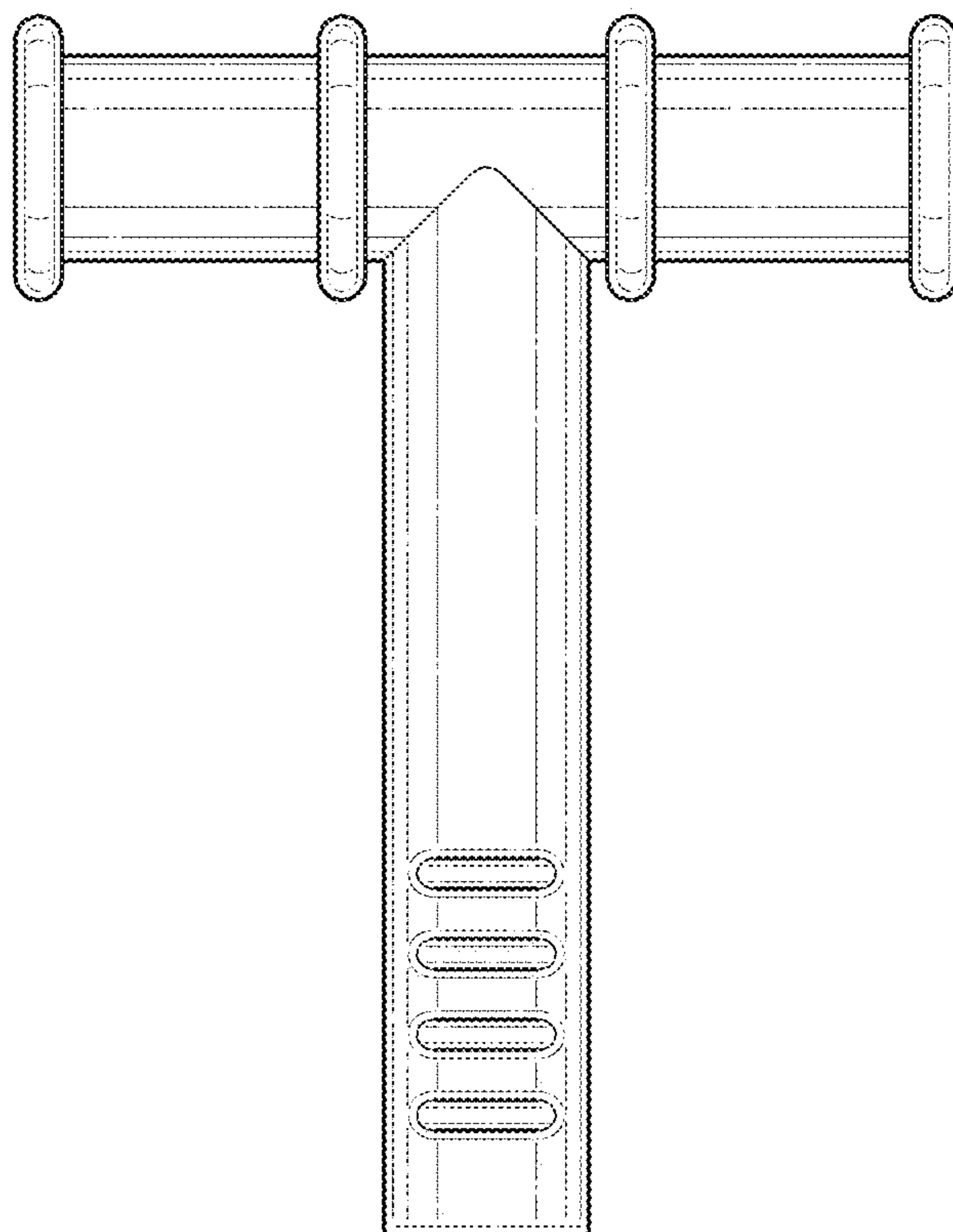


FIG. 3

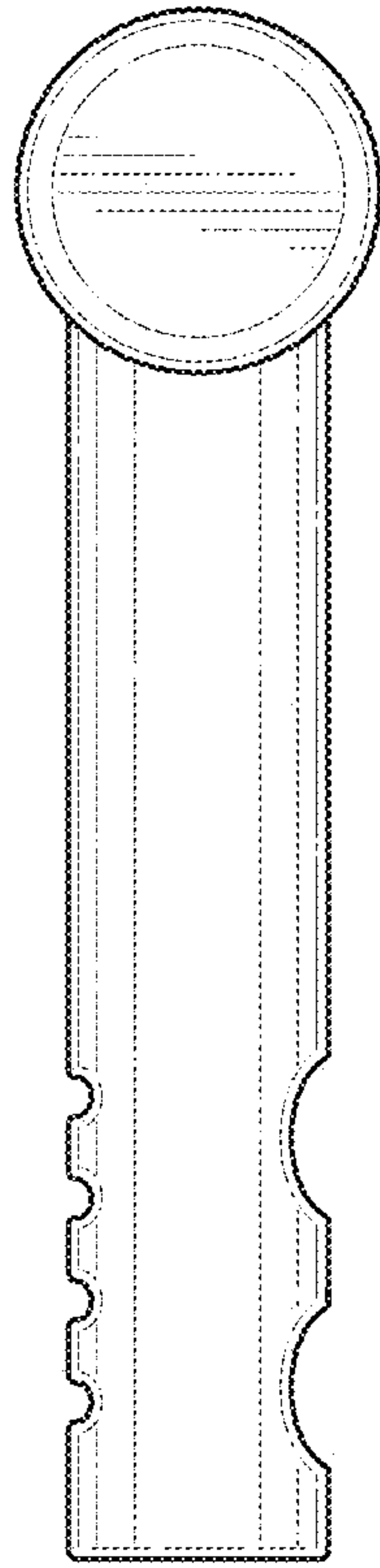


FIG. 4

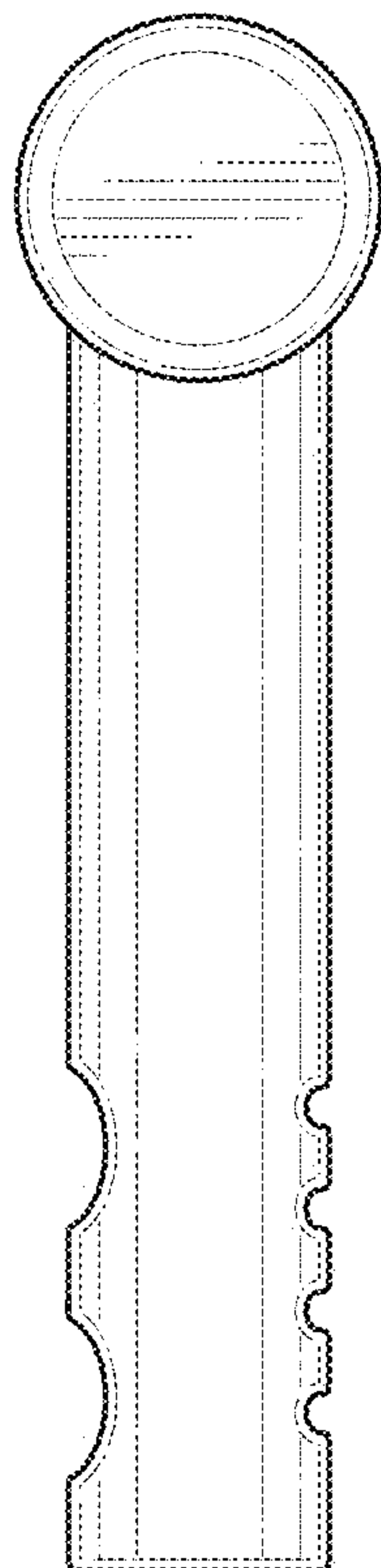


FIG. 5

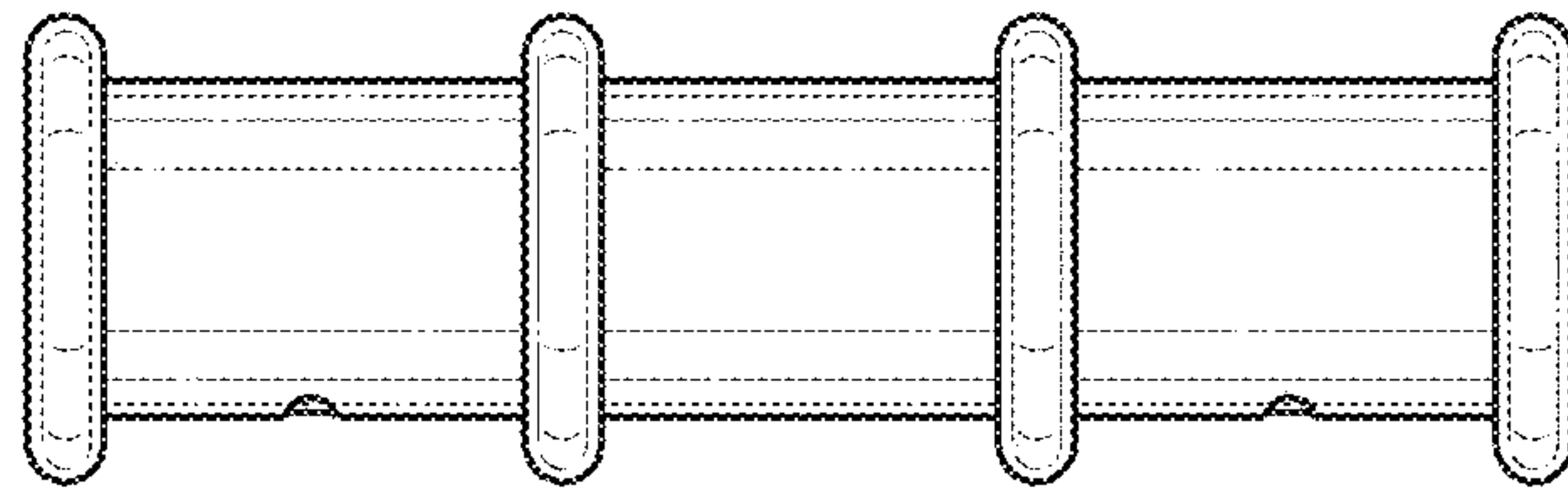


FIG. 6

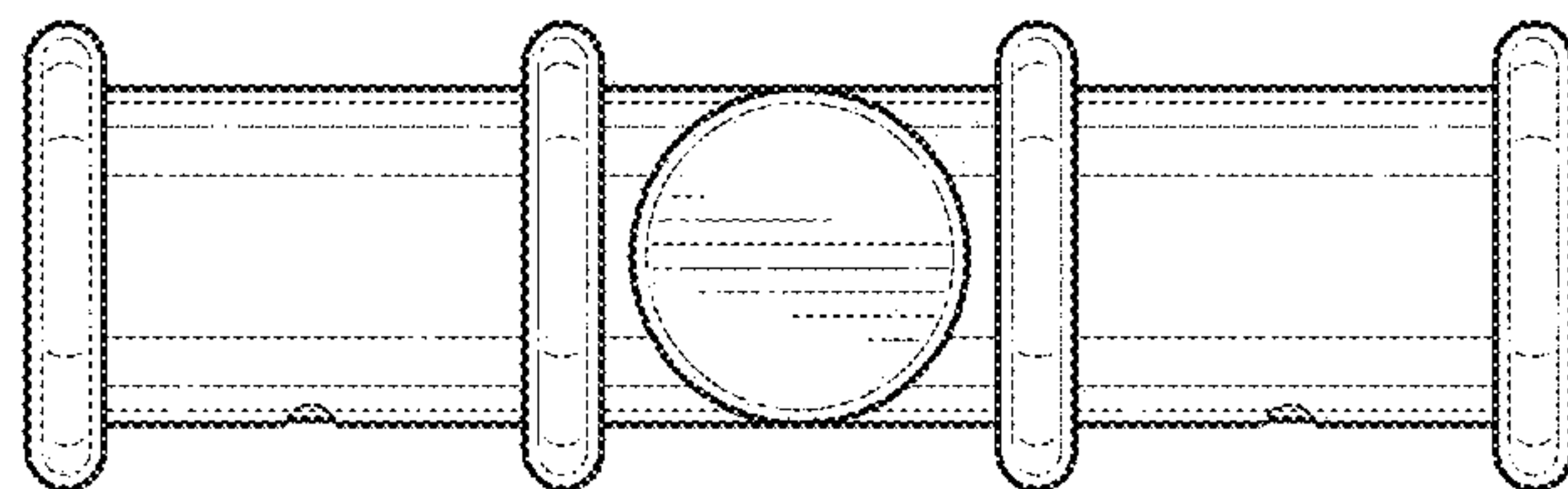


FIG. 7